



# SUGATSUNE

Decorative Handles

Stainless Steel



Stainless Steel - Satin



Stainless Steel - Mirror



Stainless Steel - Polished

Bronze

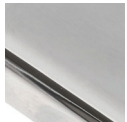


Bronze - 24 K Gold Plating

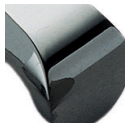
Zinc Alloy



Zinc Alloy - Satin Nickel



Zinc Alloy - Chrome



Zinc Alloy - Smoke



Zinc Alloy - Satin Brass

Brass



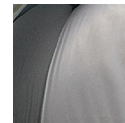
Brass- Chrome



Brass- Polished Brass



Brass- Satin Nickel



Brass- Black Nickel



Brass- Smoke



Brass- Matte Chrome



Brass- Satin Brass

Aluminum



Aluminum - Black



Aluminum - Anodized



# How to Read the Drawings

## Handles

Sugatsune handles are available in a large variety of materials and finishes ranging from aluminum to stainless steel and polished brass to matte chrome. Elegant with modern design and emphasis on quality, our profiles are ideal for limitless applications.

**Length**  
Total length gives you the exact dimension of how long the handle is and is typically longer than the center-to-center dimension.



**Center**  
The center-to-center dimension is how far apart the centers of the mounting holes are.

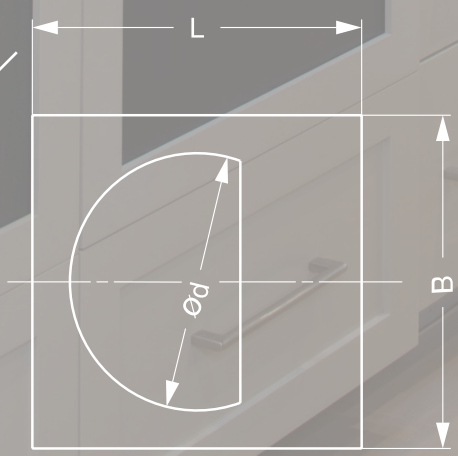
**Height**  
The height of the handle can also be understood as the distance the handle projects away from the cabinet door or drawer front.

## Recessed Pulls

Recessed pulls can make a design statement while providing an application with clean lines and no protrusions, setting an overall tone for the room.

**Height**  
The height of the handle can also be understood as the distance the handle projects away from the cabinet door or drawer front.

**Length**  
Total length gives you the exact dimension of how long the outer base of the pull is.



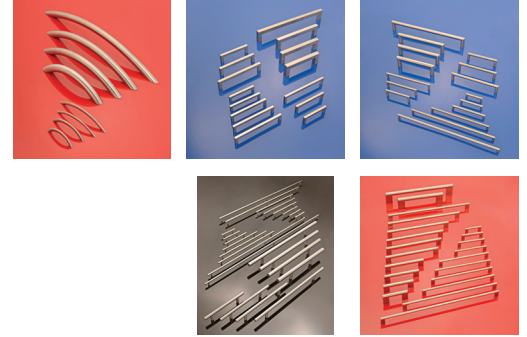
**Small "h" refers to the protrusion of a pull from its base.**

**Ø Diameter**  
When incorporating a recessed pull into the design, note the door thickness. The pull will require a cut out large enough to fit the profile.

## Application guide

The clean lines and smooth textures of Sugatsune handles allow flexibility in the mounting orientation of the handles. With wide base cabinets and narrow wall cabinets, our handles cover the full spectrum of handle needs.

Sugatsune offers a wide array of handles in varying sizes. Throughout pages 3-7 there are suggested handle combinations that are ideal for all areas of a kitchen. With multiple sizes, Sugatsune handles can fit anything from large appliances to small drawer fronts.



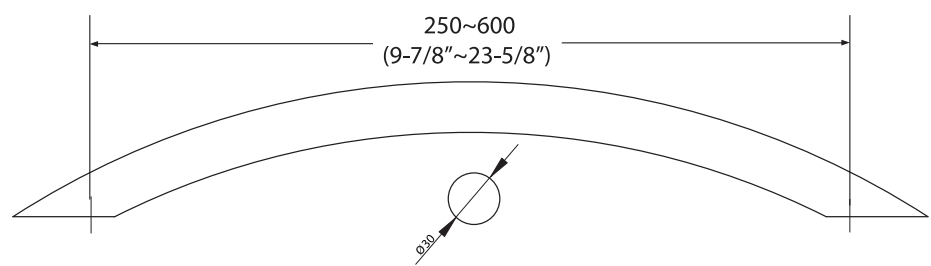
Handles that are 14" or larger, are ideal for installing to any appliance. With the following Sugatsune suggested combinations, all handle sizes are covered.

Our decorative hardware is designed to coordinate with a wide variety of styles and decor. With our extensive selection of products, it is easy to create a flawless look in any room.

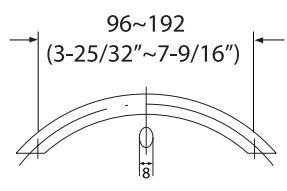




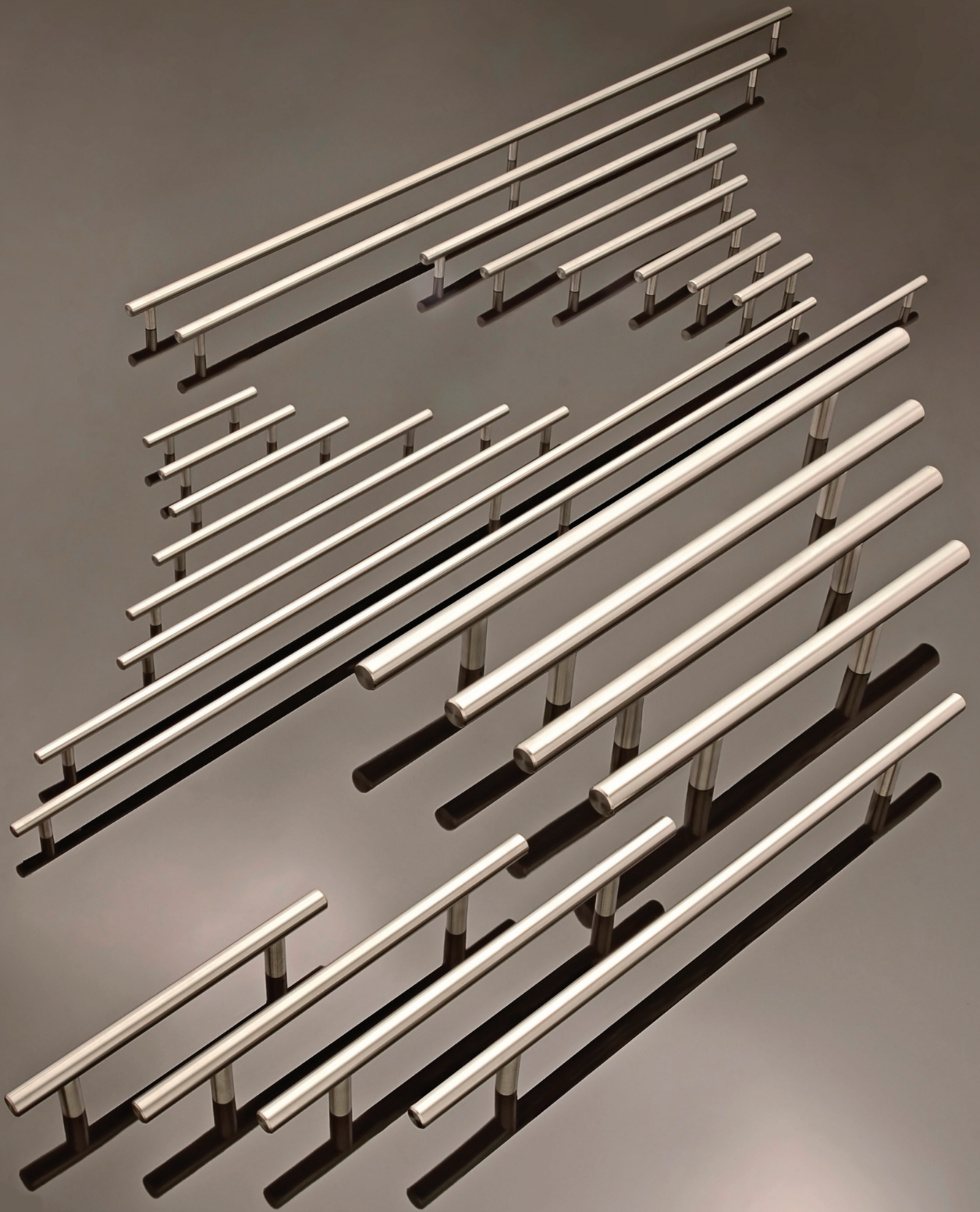
### DSI-1630



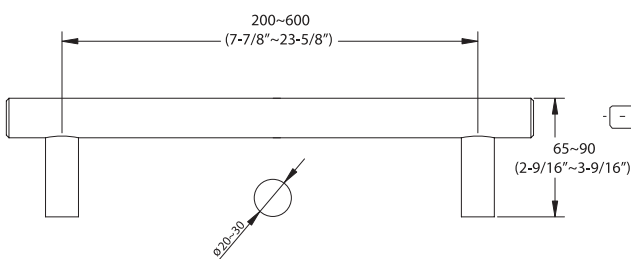
### 30 SERIES



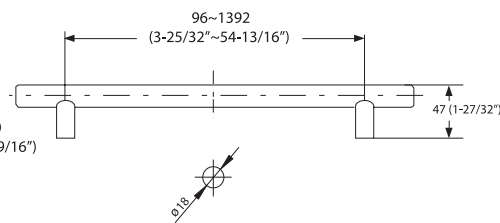




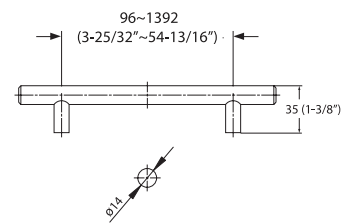
## DSI-2000



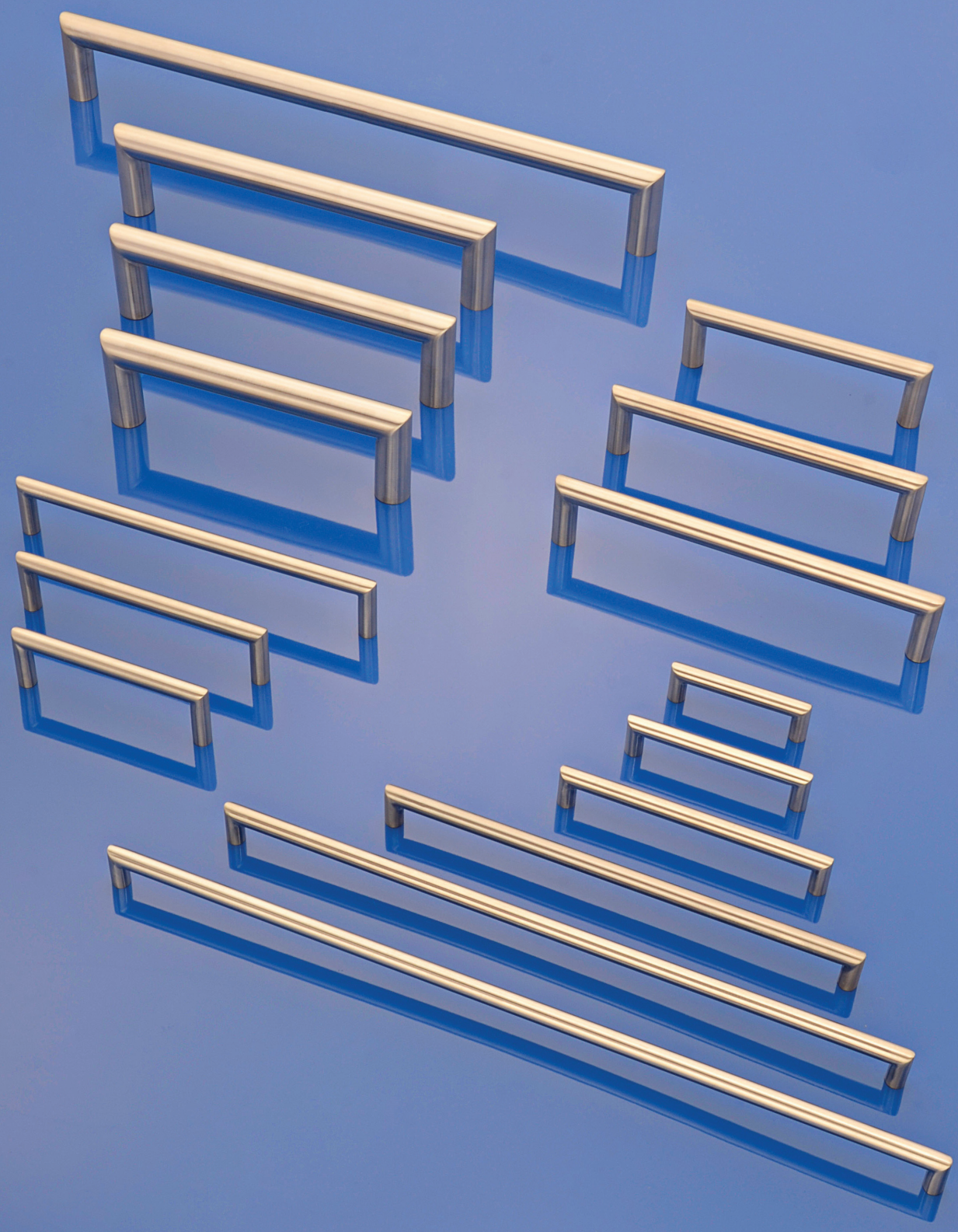
## 28 SERIES



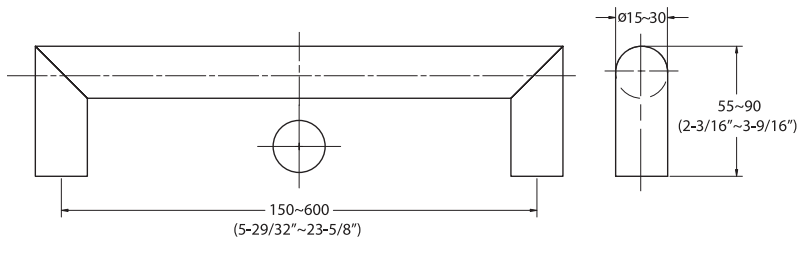
## 26 SERIES



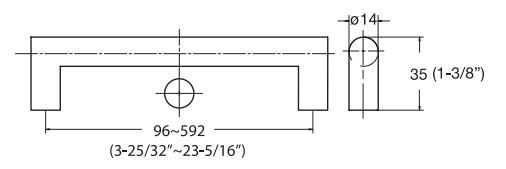




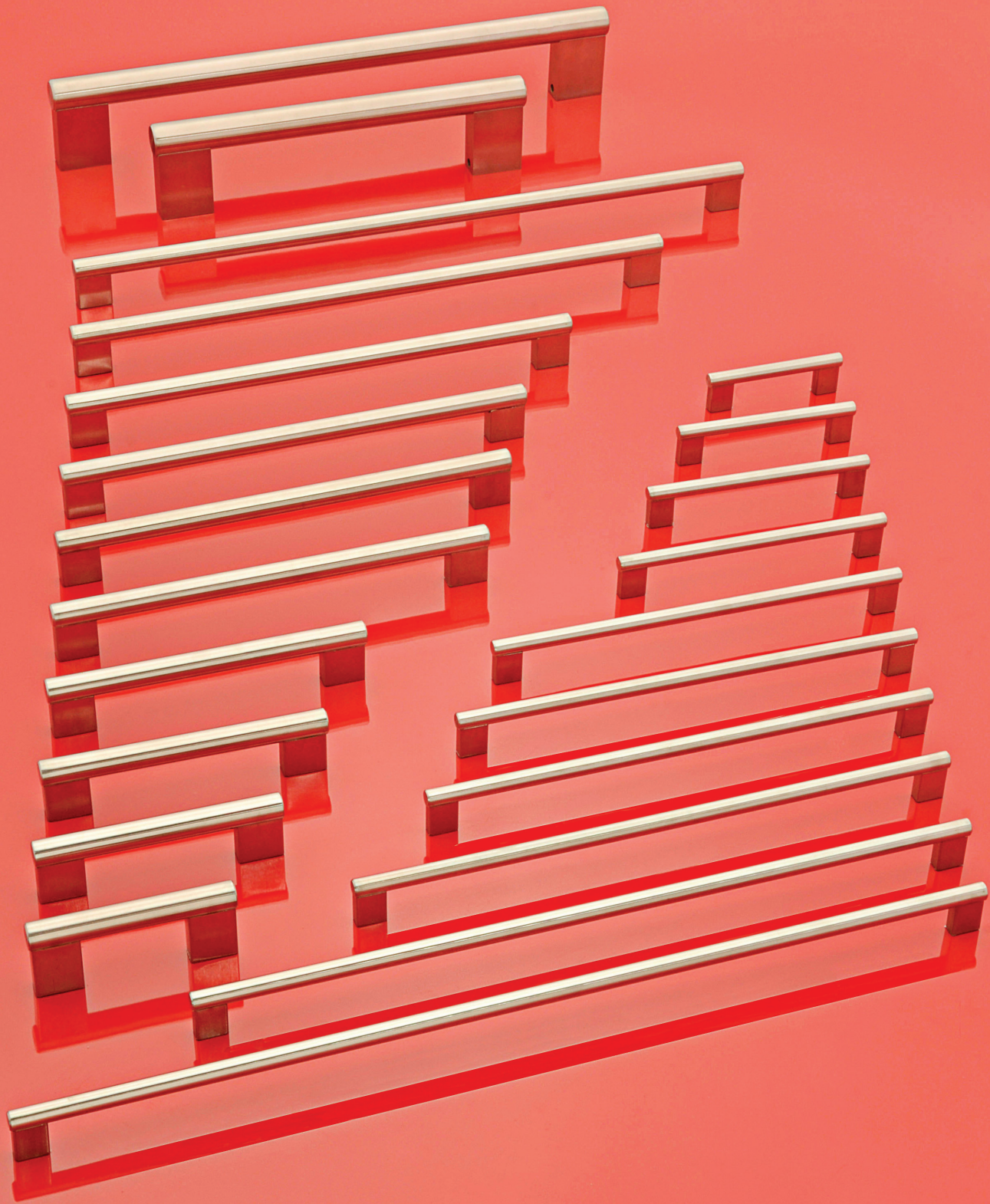
### DSI-3310



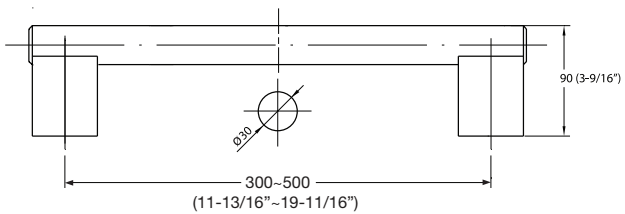
### DIH



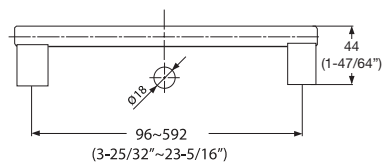




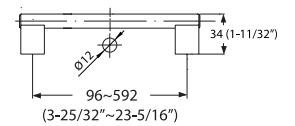
## DSI-3330-30



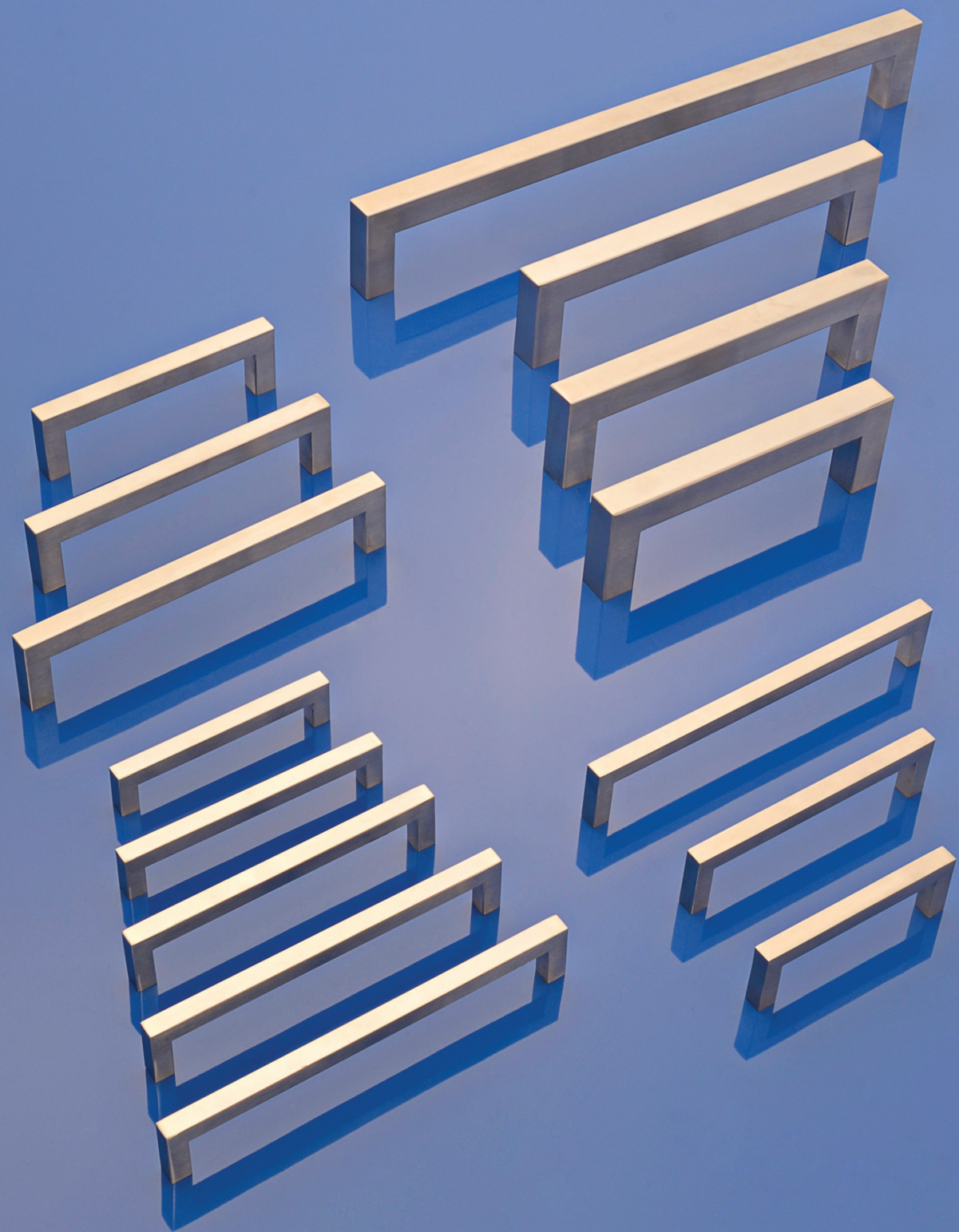
## 27 SERIES



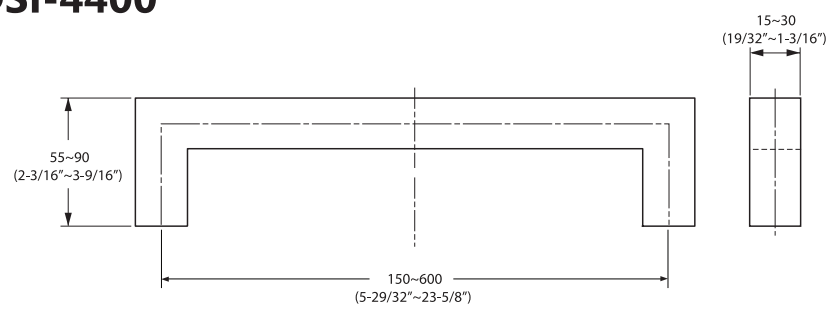
## 16 SERIES



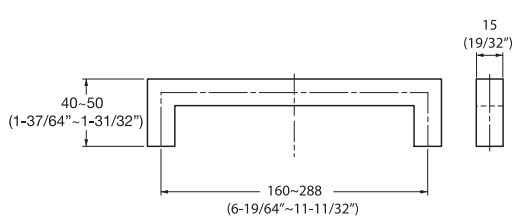




### DSI-4400

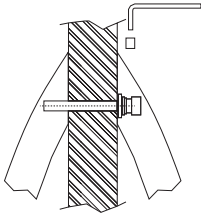


### KPH

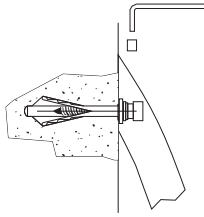


## DSI-2000-20

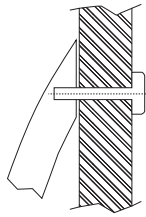
Finish: Satin



Item No.  
DKIT-4/20-1



Item No.  
DKIT-5/20

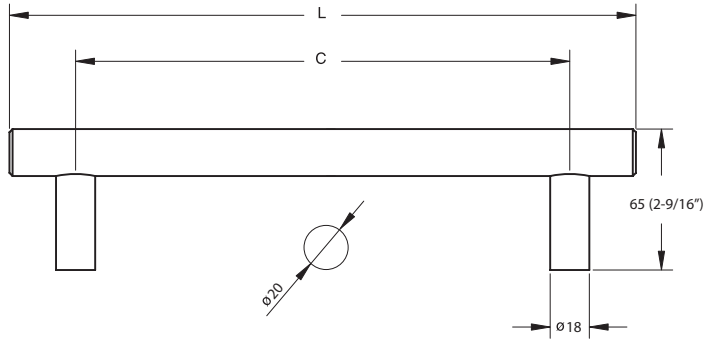


Item No.  
DKIT-2/20-1

Back to back mounting kit. This installation kit allows the user to mount a handle on both sides of the door. When ordering a back to back mounted handle system, make sure to order an interior and exterior handle.

Surface mounting kit. This installation kit allows the user to mount a handle onto any surface without a fastener being visible. When acquiring this installation method please order an interior handle. The drawing above features a concrete wall-mount installation.

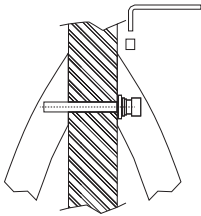
Back mounting kit. This installation kit allows the user to mount a handle through the backside of wood/metal/glass doors. When acquiring this installation method, please order an exterior handle. The drawing above features a wood door installation.



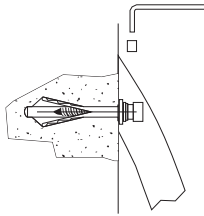
Item No.		L	C
Interior	Exterior		
1	DSI-2000-20-20I	300 (11-13/16")	200 (7-7/8")
2	DSI-2000-20-25I	400 (15-3/4")	250 (9-7/8")
3	DSI-2000-20-30I	450 (17-3/4")	300 (11-13/16")
4	DSI-2000-20-50I	700 (27-9/16")	500 (19-11/16")

## DSI-2000-30

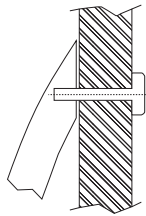
Finish: Satin



Item No.  
DKIT-4/30-1



Item No.  
DKIT-5/30

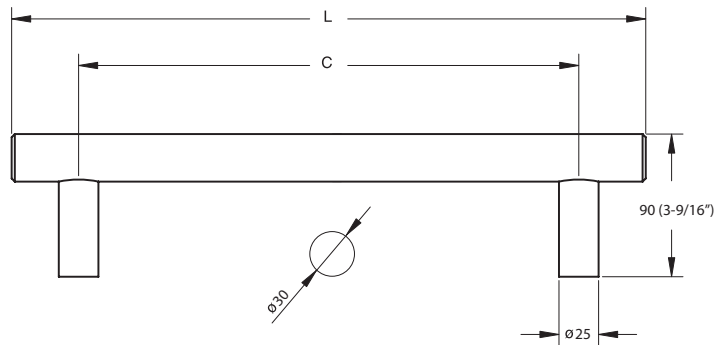


Item No.  
DKIT-2/30-1

Back to back mounting kit. This installation kit allows the user to mount a handle on both sides of the door. When ordering a back to back mounted handle system, make sure to order an interior and exterior handle.

Surface mounting kit. This installation kit allows the user to mount a handle onto any surface without a fastener being visible. When acquiring this installation method please order an interior handle. The drawing above features a concrete wall-mount installation.

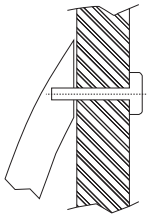
Back mounting kit. This installation kit allows the user to mount a handle through the backside of wood/metal/glass doors. When acquiring this installation method, please order an exterior handle. The drawing above features a wood door installation.



Item No.		L	C
Interior	Exterior		
5	DSI-2000-30-25I	550 (21-5/8")	250 (9-7/8")
6	DSI-2000-30-35I	650 (25-9/16")	350 (13-3/4")
7	DSI-2000-30-45I	750 (29-1/2")	450 (17-3/4")
8	DSI-2000-30-60I	900 (35-7/16")	600 (23-5/8")

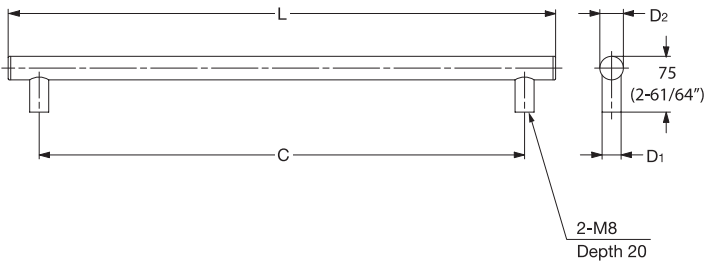
## SSH

Finish: Satin



Item No.  
DKIT-2/30-1

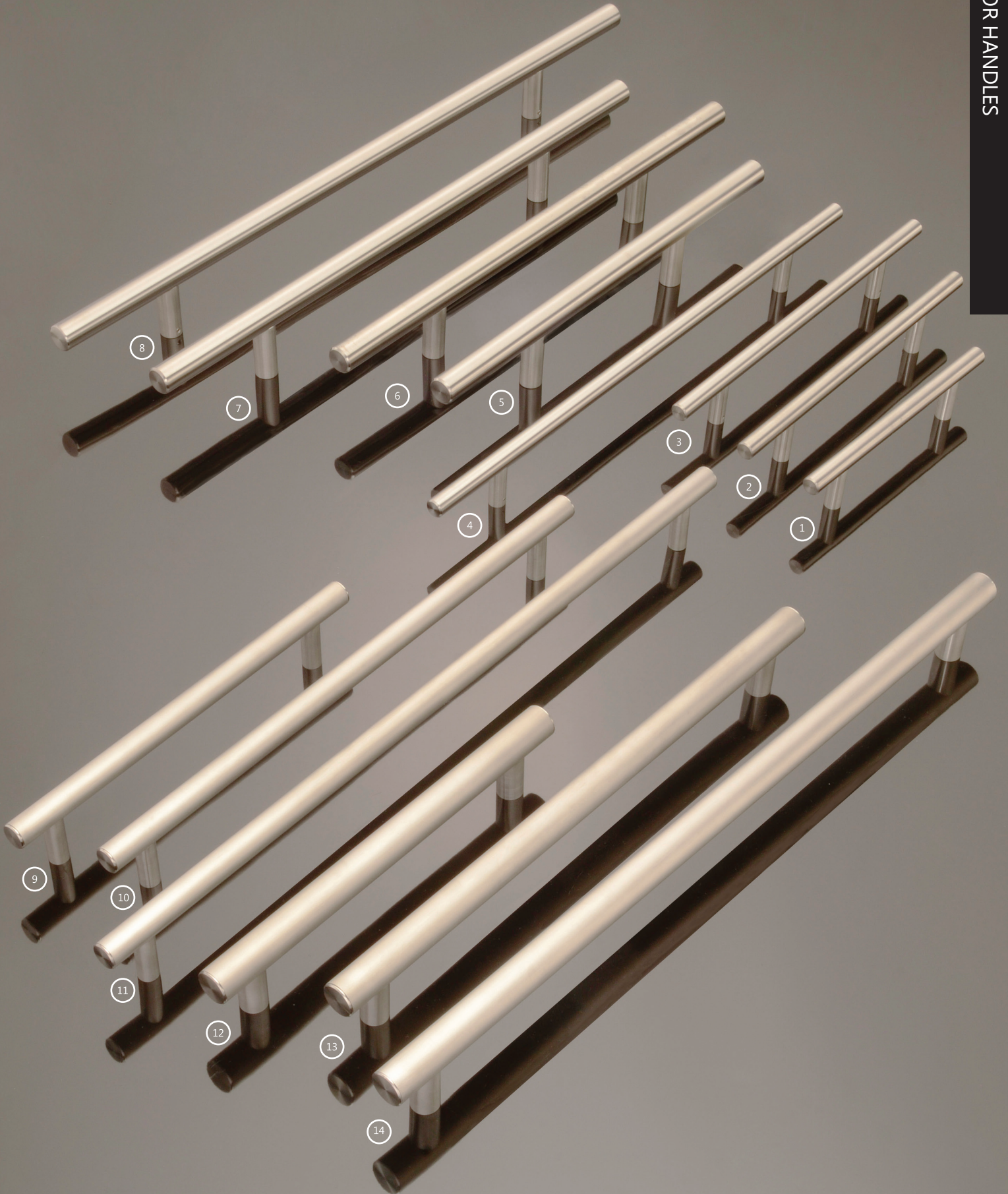
- Ideal for high corrosive environments and machinery applications.
- Designed for applications where a heavy duty handle is required.
- Screw size: M8



Back mounting kit. This installation kit allows the user to mount a handle through the backside of wood, metal and glass doors. This installation kit works with SSH-3240, SSH3260 and SSH-3280.

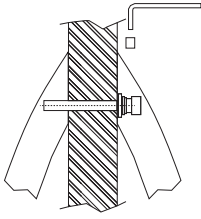
Item No.	L	C	D1	D2
9	SSH-2540	400 (15-3/4")	316 (12-7/16")	19
10	SSH-2560	600 (23-5/8")	516 (20-5/16")	
11	SSH-2580	800 (31-1/2")	716 (28-3/16")	
12	SSH-3240	400 (15-3/4")	316 (12-7/16")	25
13	SSH-3260	600 (23-5/8")	516 (20-5/16")	
14	SSH-3280	800 (31-1/2")	716 (28-3/16")	



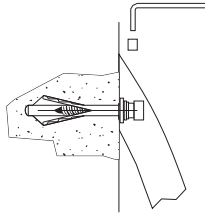


## DSI-3310-15

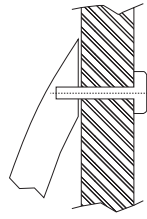
Finish: Satin



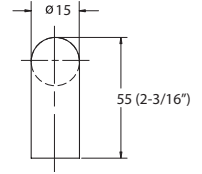
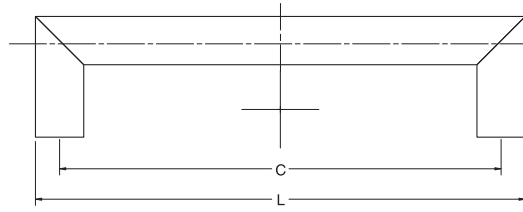
Item No.  
DKIT-4/15-1



Item No.  
DKIT-5/15



Item No.  
DKIT-2/15-1



Back to back mounting kit. This installation kit allows the user to mount a handle on both sides of the door. When ordering a back to back mounted handle system, make sure to order an interior and exterior handle.

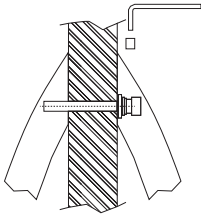
Surface mounting kit. This installation kit allows the user to mount a handle onto any surface without a fastener being visible. When acquiring this installation method please order an interior handle. The drawing above features a concrete wall-mount installation.

Back mounting kit. This installation kit allows the user to mount a handle through the backside of wood/metal/glass doors. when acquiring this installation method, please order an exterior handle. The drawing above features a wood door installation.

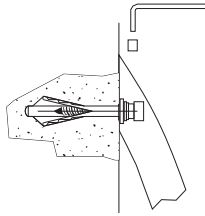
Item No.		L	C	
Interior	Exterior			
1	DSI-3310-15-15I	DSI-3310-15-15E	165 (6-1/2")	150 (5-29/32")
2	DSI-3310-15-20I	DSI-3310-15-20E	215 (8-1/2")	200 (7-7/8")
3	DSI-3310-15-30I	DSI-3310-15-30E	315 (12-3/8")	300 (11-13/16")

## DSI-3310-20

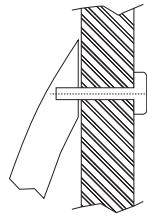
Finish: Satin



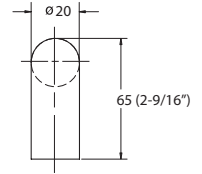
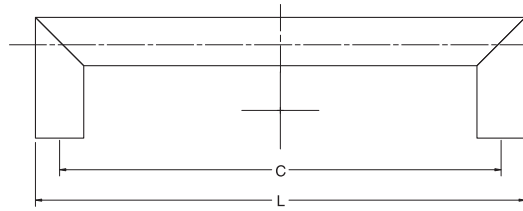
Item No.  
DKIT-4/20-1



Item No.  
DKIT-5/20



Item No.  
DKIT-2/20-1



Back to back mounting kit. This installation kit allows the user to mount a handle on both sides of the door. When ordering a back to back mounted handle system, make sure to order an interior and exterior handle.

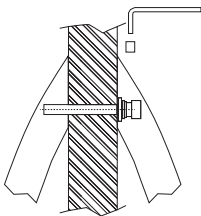
Surface mounting kit. This installation kit allows the user to mount a handle onto any surface without a fastener being visible. When acquiring this installation method please order an interior handle. The drawing above features a concrete wall-mount installation.

Back mounting kit. This installation kit allows the user to mount a handle through the backside of wood/metal/glass doors. when acquiring this installation method, please order an exterior handle. The drawing above features a wood door installation.

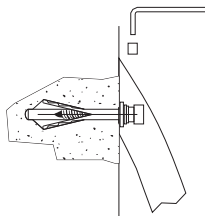
Item No.		L	C	
Interior	Exterior			
4	DSI-3310-20-20I	DSI-3310-20-20E	220 (8-11/16")	200 (7-7/8")
5	DSI-3310-20-25I	DSI-3310-20-25E	270 (10-5/8")	250 (9-27/32")
6	DSI-3310-20-30I	DSI-3310-20-30E	320 (12-5/8")	300 (11-13/16")

## DSI-3310-30

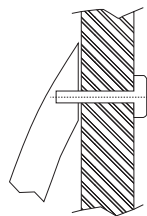
Finish: Satin



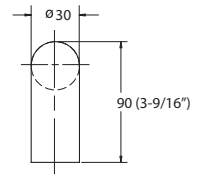
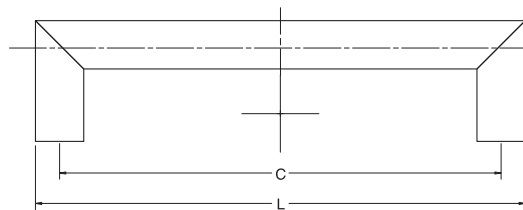
Item No.  
DKIT-4/30-1



Item No.  
DKIT-5/30



Item No.  
DKIT-2/30-1



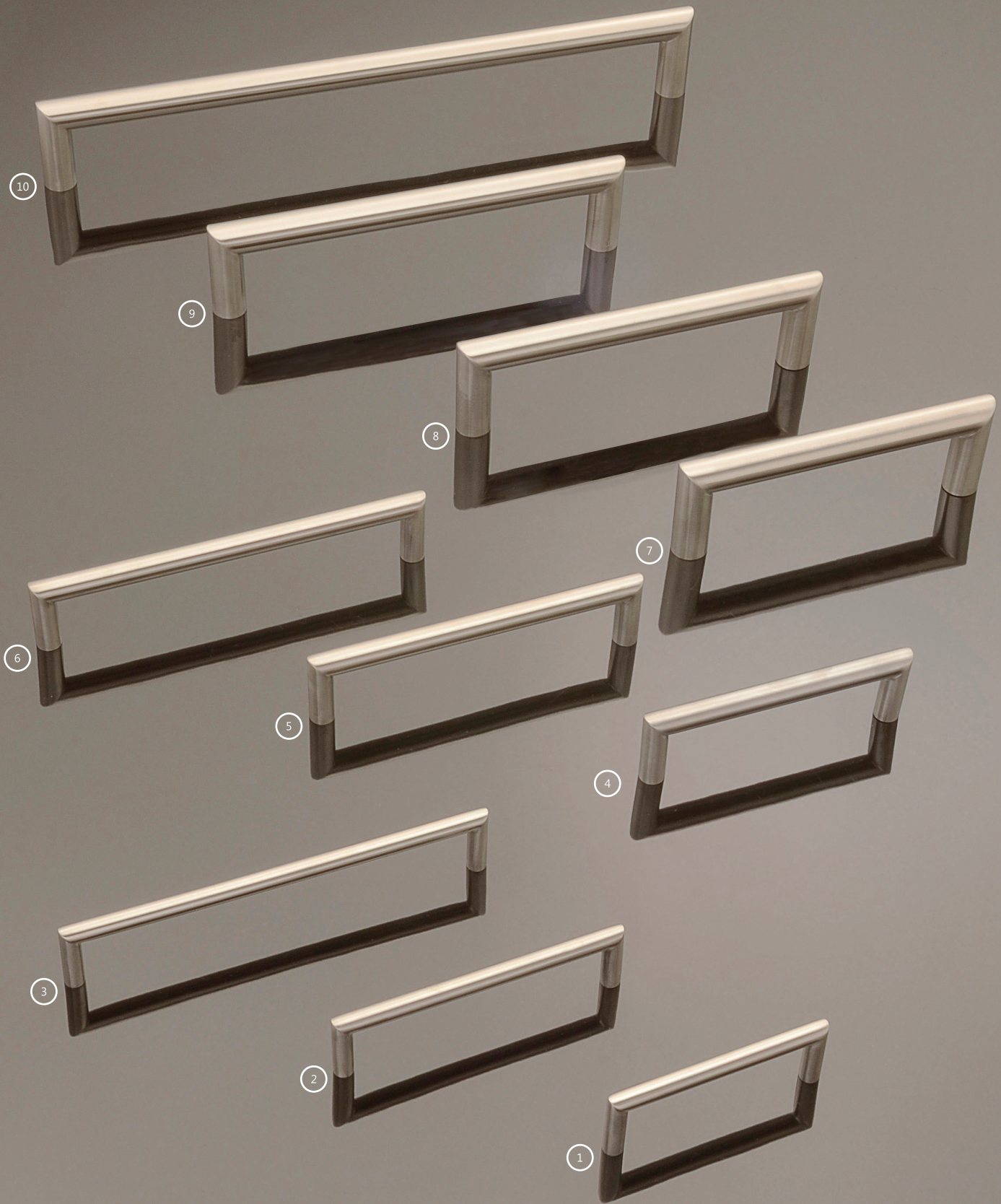
Back to back mounting kit. This installation kit allows the user to mount a handle on both sides of the door. When ordering a back to back mounted handle system, make sure to order an interior and exterior handle.

Surface mounting kit. This installation kit allows the user to mount a handle onto any surface without a fastener being visible. When acquiring this installation method please order an interior handle. The drawing above features a concrete wall-mount installation.

Back mounting kit. This installation kit allows the user to mount a handle through the backside of wood/metal/glass doors. when acquiring this installation method, please order an exterior handle. The drawing above features a wood door installation.

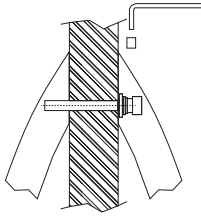
Item No.		L	C	
Interior	Exterior			
7	DSI-3310-30-25I	DSI-3310-30-25E	280 (11")	250 (9-27/32")
8	DSI-3310-30-30I	DSI-3310-30-30E	330 (12")	300 (11-13/16")
9	DSI-3310-30-35I	DSI-3310-30-35E	380 (14-15/16")	350 (13-25/32")
10	DSI-3310-30-60I	DSI-3310-30-60E	630 (24-13/16")	600 (23-5/8")





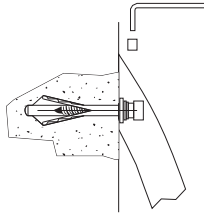
## DSI-4400-15

Finish: Satin



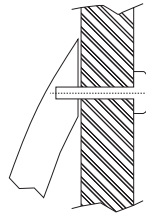
Item No.  
DKIT-4/15-2

Back to back mounting kit. This installation kit allows the user to mount a handle on both sides of the door. When ordering a back to back mounted handle system, make sure to order an interior and exterior handle.



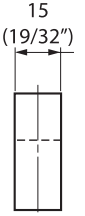
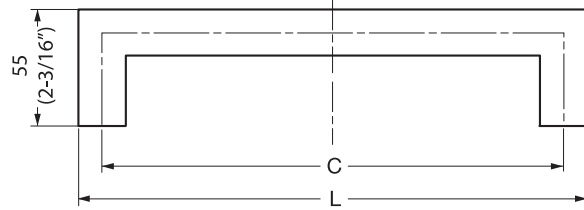
Item No.  
DKIT-5/15

Surface mounting kit. This installation kit allows the user to mount a handle onto any surface without a fastener being visible. When acquiring this installation method please order an interior handle. The drawing above features a concrete wall-mount installation.



Item No.  
DKIT-2/15-2

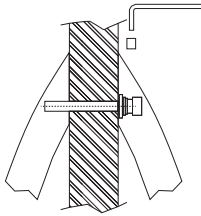
Back mounting kit. This installation kit allows the user to mount a handle through the backside of wood/metal/glass doors. when acquiring this installation method, please order an exterior handle. The drawing above features a wood door installation.



Item No.		L	C	
Interior	Exterior			
1	DSI-4400-15-15I	DSI-4400-15-15E	165 (6-1/2")	150 (5-29/32")
2	DSI-4400-15-20I	DSI-4400-15-20E	215 (8-1/2")	200 (7-7/8")
3	DSI-4400-15-30I	DSI-4400-15-30E	315 (12-3/8")	300 (11-13/16")

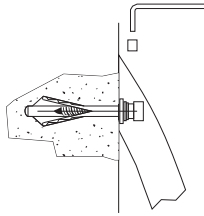
## DSI-4400-20

Finish: Satin



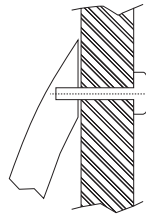
Item No.  
DKIT-4/20-2

Back to back mounting kit. This installation kit allows the user to mount a handle on both sides of the door. When ordering a back to back mounted handle system, make sure to order an interior and exterior handle.



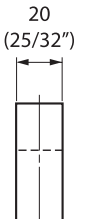
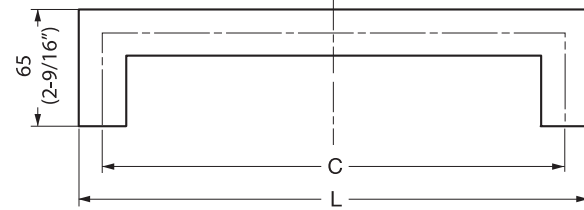
Item No.  
DKIT-5/20

Surface mounting kit. This installation kit allows the user to mount a handle onto any surface without a fastener being visible. When acquiring this installation method please order an interior handle. The drawing above features a concrete wall-mount installation.



Item No.  
DKIT-2/20-2

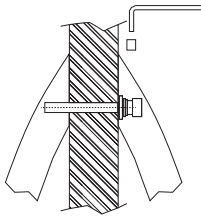
Back mounting kit. This installation kit allows the user to mount a handle through the backside of wood/metal/glass doors. when acquiring this installation method, please order an exterior handle. The drawing above features a wood door installation.



Item No.		L	C	
Interior	Exterior			
4	DSI-4400-20-20I	DSI-4400-20-20E	220 (8-11/16")	200 (7-7/8")
5	DSI-4400-20-25I	DSI-4400-20-25E	270 (10-5/8")	250 (9-27/32")
6	DSI-4400-20-30I	DSI-4400-20-30E	320 (12-5/8")	300 (11-13/16")

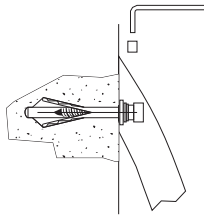
## DSI-4400-30

Finish: Satin



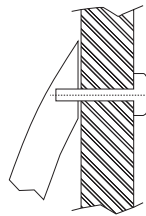
Item No.  
DKIT-4/30-2

Back to back mounting kit. This installation kit allows the user to mount a handle on both sides of the door. When ordering a back to back mounted handle system, make sure to order an interior and exterior handle.



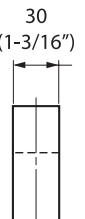
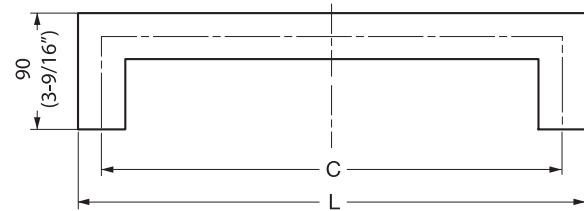
Item No.  
DKIT-5/30

Surface mounting kit. This installation kit allows the user to mount a handle onto any surface without a fastener being visible. When acquiring this installation method please order an interior handle. The drawing above features a concrete wall-mount installation.



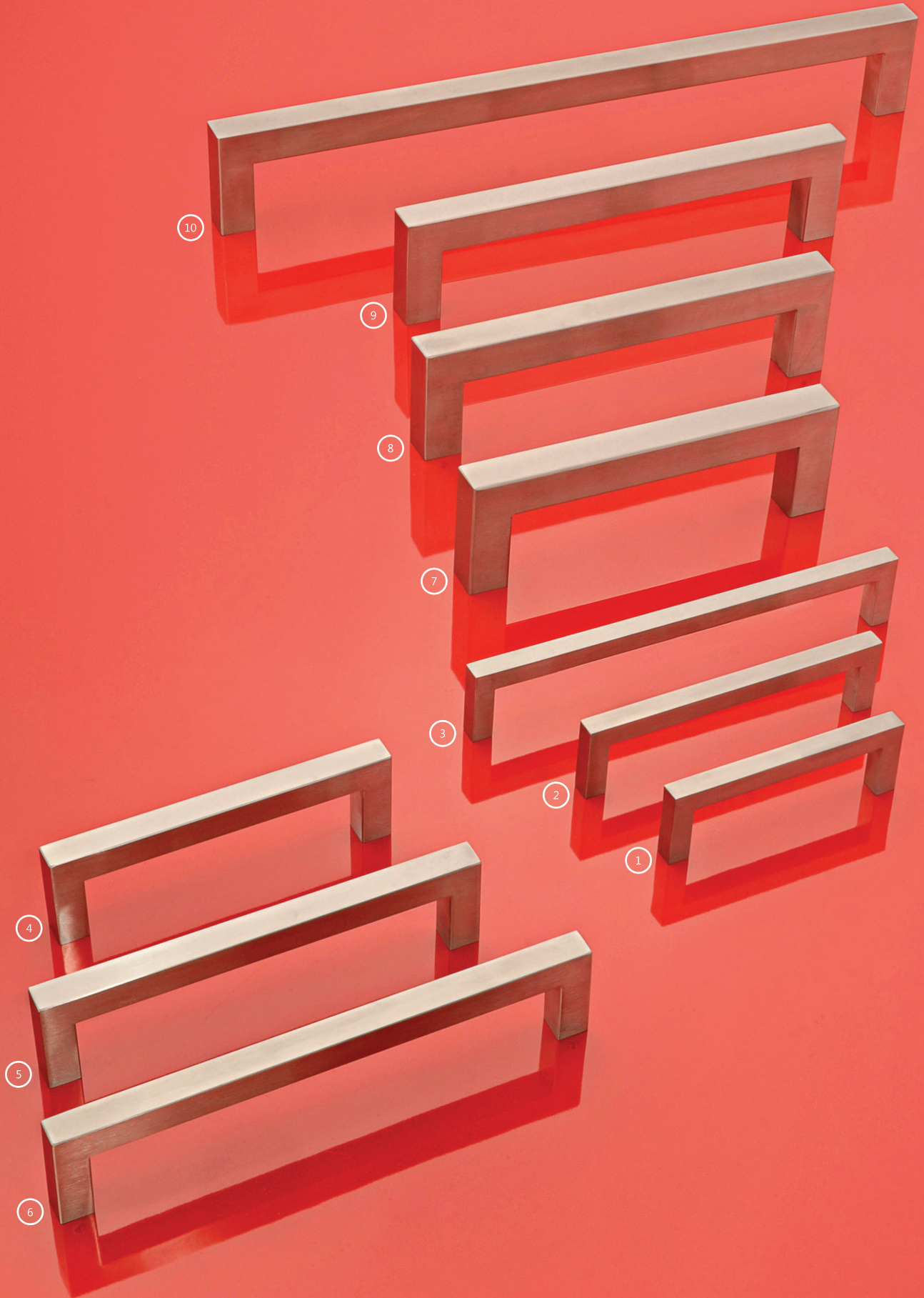
Item No.  
DKIT-2/30-2

Back mounting kit. This installation kit allows the user to mount a handle through the backside of wood/metal/glass doors. when acquiring this installation method, please order an exterior handle. The drawing above features a wood door installation.



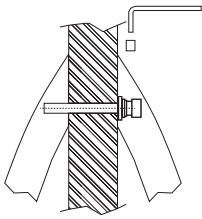
Item No.		L	C	
Interior	Exterior			
7	DSI-4400-30-25I	DSI-4400-30-25E	280 (11")	250 (9-27/32")
8	DSI-4400-30-30I	DSI-4400-30-30E	330 (12")	300 (11-13/16")
9	DSI-4400-30-35I	DSI-4400-30-35E	380 (14-15/16")	350 (13-25/32")
10	DSI-4400-30-60I	DSI-4400-30-60E	630 (24-13/16")	600 (23-5/8")



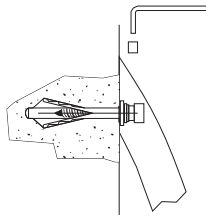


# DSI-3330-30

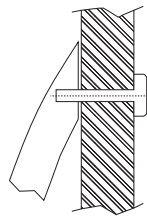
Finish: Satin



Item No.  
DKIT-4/30-1



Item No.  
DKIT-5/30

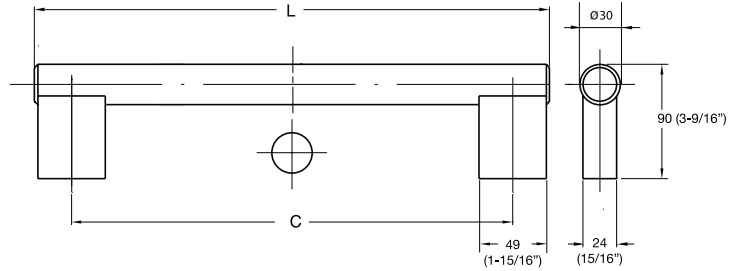


Item No.  
DKIT-2/30-1

Back to back mounting kit. This installation kit allows the user to mount a handle on both sides of the door. When ordering a back to back mounted handle system, make sure to order an interior and exterior handle.

Surface mounting kit. This installation kit allows the user to mount a handle onto any surface without a fastener being visible. When acquiring this installation method please order an interior handle. The drawing above features a concrete wall-mount installation.

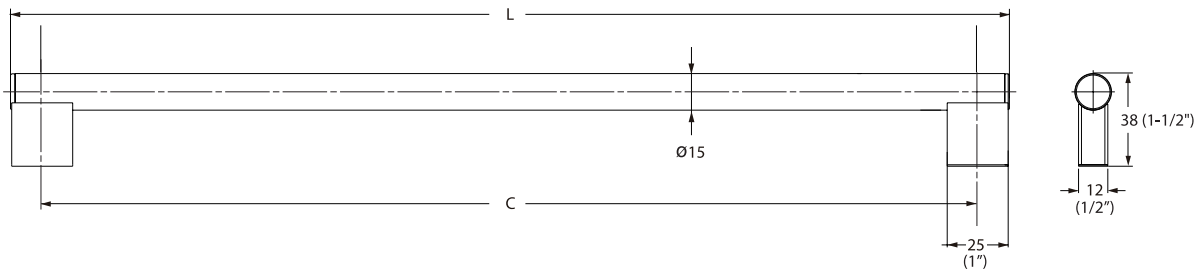
Back mounting kit. This installation kit allows the user to mount a handle through the backside of wood/metal/glass doors. when acquiring this installation method, please order an exterior handle. The drawing above features a wood door installation.



Item No.		L	C	
1	Interior	Exterior		
1	DSI-3330-30-30I	DSI-3330-30-30E	320 (12-19/32")	300 (11-13/16")
2	DSI-3330-30-50I	DSI-3330-30-50E	520 (20-15/32")	500 (19-11/16")

# RH

Finish: Satin

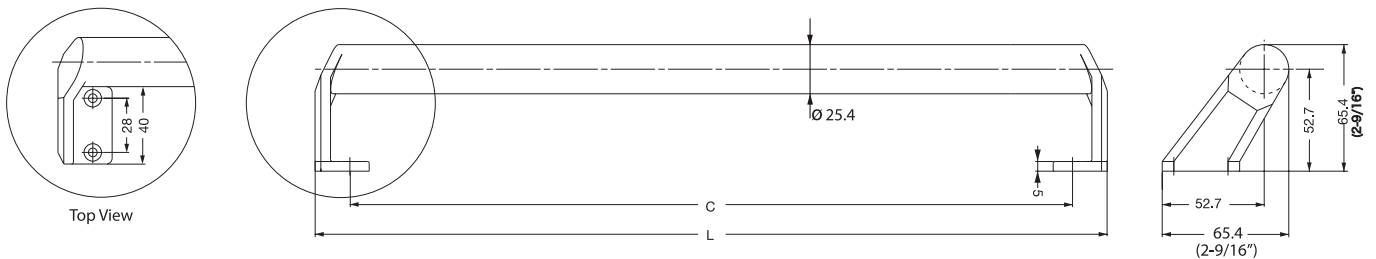


- Low Profile design helps to eliminate tight space issues.
- Designed for applications where a heavy duty handle is required.
- Screw size: M5

Item No.	L	C	
3	RH-760	786 (30-15/16")	760 (29-59/64")

# MP

Finish: Mirror



- Ideal for harsh and high corrosive environments.
- Designed for applications where a heavy duty handle is required.
- This handle is installed from the front side.

Item No.	L	C	
4	MP- 500	500 (19-11/16")	464(18-17/64")
5	MP- 750	750 (29-17/32")	714 (28-7/64")
6	MP-1000	1000 (39-3/8")	964 (37-61/64")





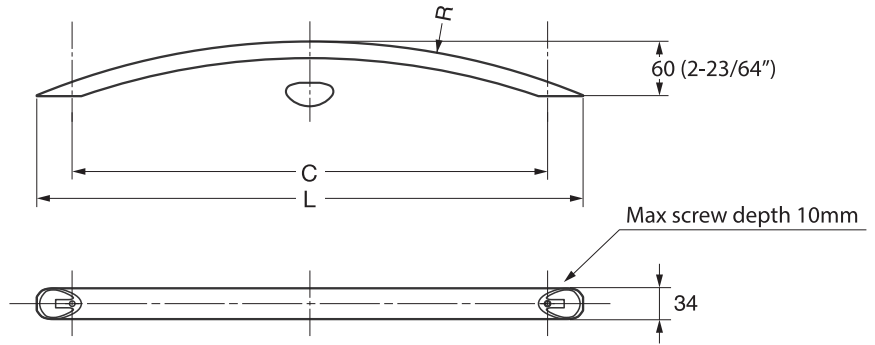


# SOR

Finish: (S) Anodized / (B) Black



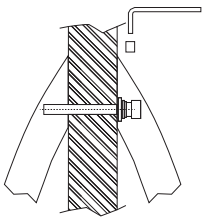
- Ideal for application where a large handle is the solution.
- Screw size:  
M6 (400 and 600)  
M8 (800)
- Maximum screw depth: 10mm



Item No.				L	C	R
1	SOR-400/S	4	SOR-400/BL	(390) (15-23/64")	335 (13-3/16")	350
2	SOR-600/S	5	SOR-600/BL	(600) ( 23-5/8" )	522 (20-35/64")	790
3	SOR-800/S	6	SOR-800/BL	(816) ( 32-1/8" )	710 (27-61/64")	1440

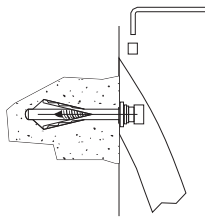
# DSI-1630

Finish: Satin



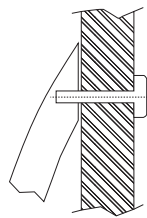
Item No.  
DKIT-4/30-1

Back to back mounting kit. This installation kit allows the user to mount a handle on both sides of the door. When ordering a back to back mounted handle system, make sure to order an interior and exterior handle.



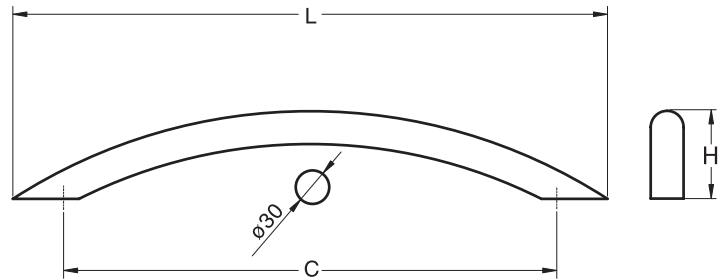
Item No.  
DKIT-5/30

Surface mounting kit. This installation kit allows the user to mount a handle onto any surface without a fastener being visible. When acquiring this installation method please order an interior handle. The drawing above features a concrete wall-mount installation.



Item No.  
DKIT-2/30-1

Back mounting kit. This installation kit allows the user to mount a handle through the backside of wood/metal/glass doors. when acquiring this installation method, please order an exterior handle. The drawing above features a wood door installation.

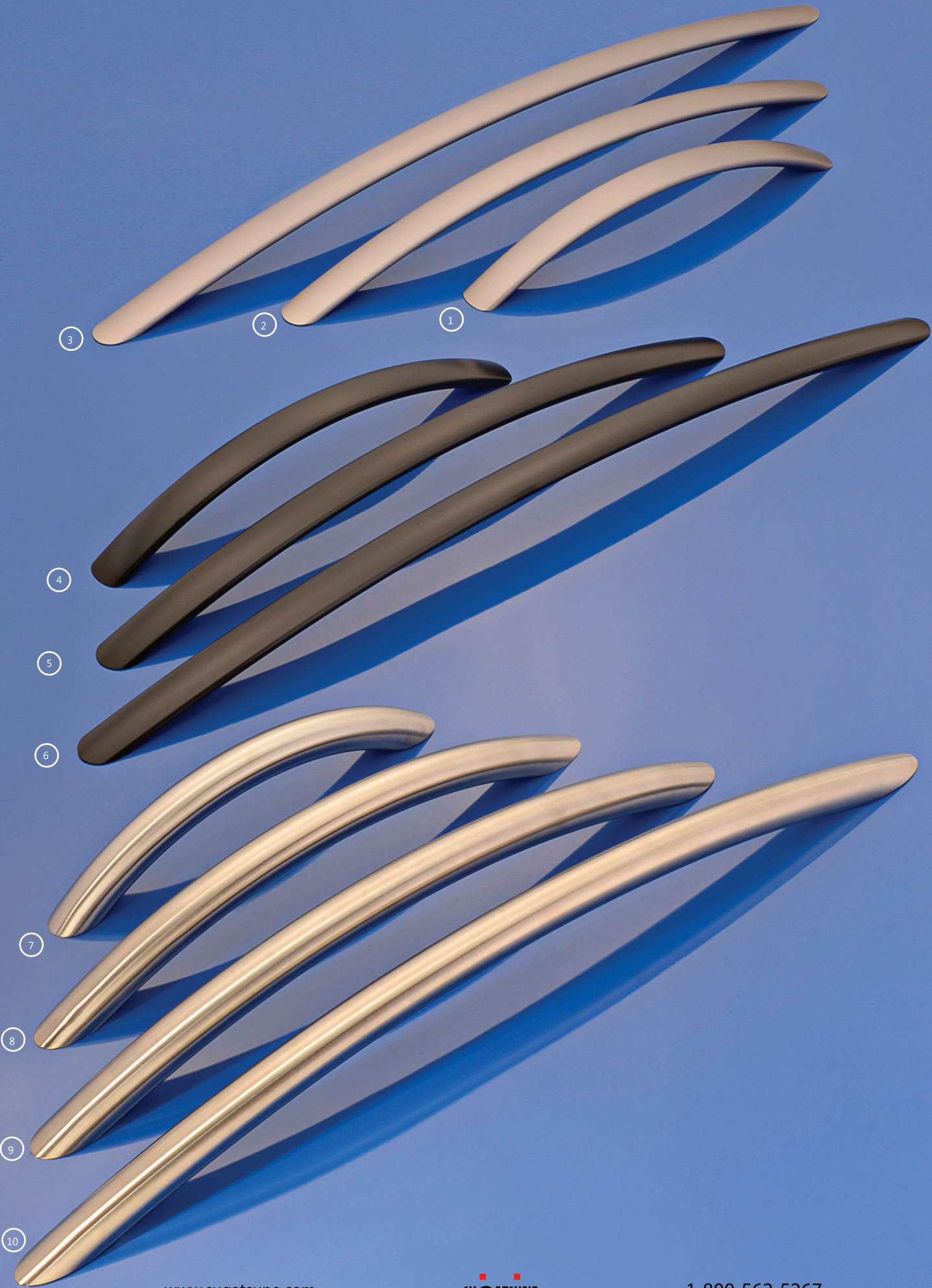


Item No.			L	C	H
Interior	Exterior				
7	DSI-1630-30-25I	DSI-1630-30-25E	314 ( 12-3/8" )	250 ( 9-7/8" )	66 ( 2-19/32" )
8	DSI-1630-30-35I	DSI-1630-30-35E	430 (16-15/16")	350 ( 13-3/4" )	74 ( 2-29/32" )
9	DSI-1630-30-45I	DSI-1630-30-45E	542 ( 21-5/16" )	450 ( 17-3/4" )	80 ( 3-5/32" )
10	DSI-1630-30-60I	DSI-1630-30-60E	721 ( 28-3/8" )	600 ( 23-5/8" )	79 ( 3-7/64" )



Featured in the image to the left is the DSI-1630 mounted to a solid oak door. The unique shape of the handle adds an elegance to the design, in addition to creating interest upon entering into the room.

























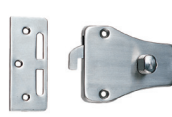






## SLIDING DOOR HANDLES

Picture	Item No.		Page
	DSI-4251		22-23
	DSI-4253		22-23
	DSI-3250	 	22-23
	DSI-4254-35		22-23
	DSI-4254-45		22-23
	DSI-4252-C-12 (FOR GLASS DOOR)		24
	DSI-4252-12 (FOR GLASS DOOR)		24
	DSI-5250-12 (FOR GLASS DOOR)		24
	DSI-3250-12 (FOR GLASS DOOR)		24
	HH-P135		25
	YK-70		25
	YK-W100		25
	HN		26
	OP-150		26
	RP		26
	HR		27
	HR-R		27
	ST-80,100		27
	ST-90,115		27

For more details about the sliding door latches, reference the 201 catalog or [www.sugatsune.com](http://www.sugatsune.com)

## SLIDING DOOR LATCHES

Picture	Item No.	
	XL-MT120-H/U (FOR GLASS DOOR)	 
	HR-35 (LEVER BOLT)	
	HC-30R (LEVER BOLT)	
	HC-30	
	HC-30H (W/INDICATOR)	
	HC-30L	
	HC-30HL (W/INDICATOR)	
	HC-70	
	HC-70H (W/INDICATOR)	
	HC-65	
	HHC-85	
	HC-85	



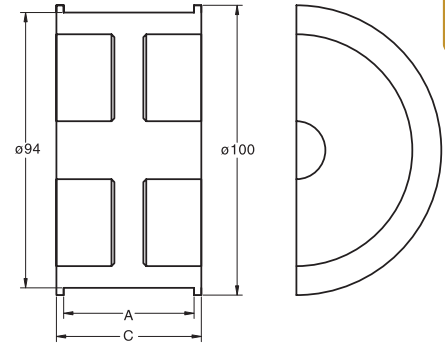


### DSI-3250

Finish: Satin , Antique Brass (AB)

STAINLESS  
304  
STEEL

BRASS

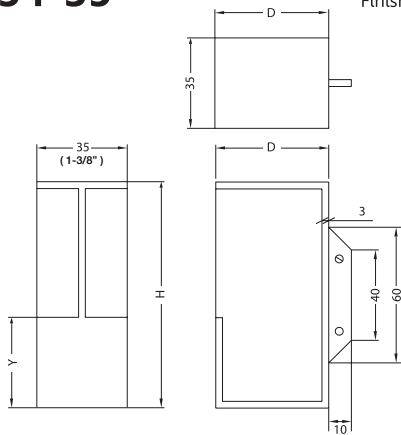


Item No.	C	A
5 DSI-3250-35	39 (1-17/32")	35 (1-3/8")
DSI-3250-45	49 (1-15/16")	45 (1-3/4")

### DSI-4254-35

Finish: Satin

STAINLESS  
304  
STEEL

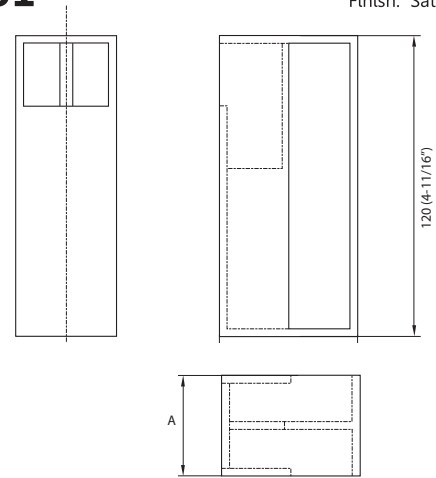


Item No.	H	D	Y
1 DSI-4254-100-35	100	50	40
2 DSI-4254-200-35	200	85	110
3 DSI-4254-300-35	300		210
4 DSI-4254-500-35	500		410

### DSI-4251

Finish: Satin

STAINLESS  
304  
STEEL

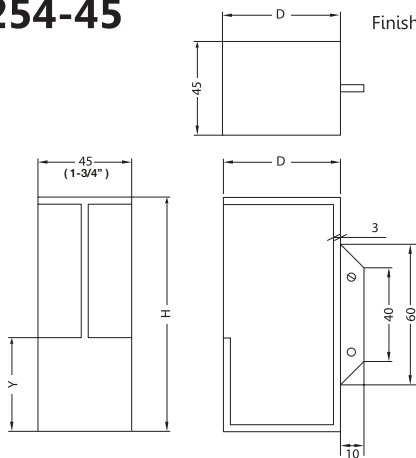


Item No.	A
6 DSI-4251-35	35 (1-3/8")
DSI-4251-45	45 (1-3/4")

### DSI-4254-45

Finish: Satin

STAINLESS  
304  
STEEL

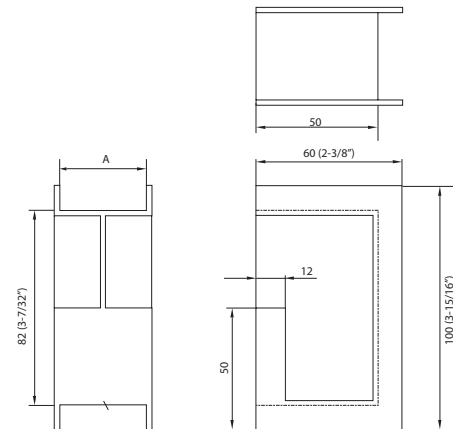


Item No.	H	D	Y
DSI-4254-100-45	100	50	40

### DSI-4253

Finish: Satin

STAINLESS  
304  
STEEL



Item No.	A
7 DSI-4253-35	35 (1-3/8")
DSI-4253-45	45 (1-3/4")

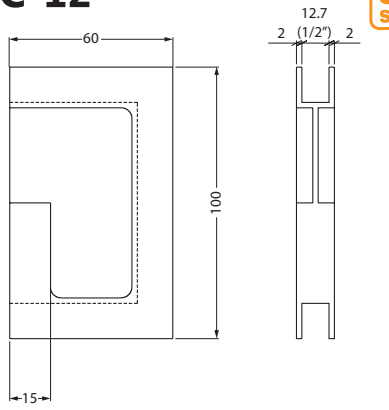




### DSI-4252-C-12

Finish: Satin

STAINLESS  
304  
STEEL

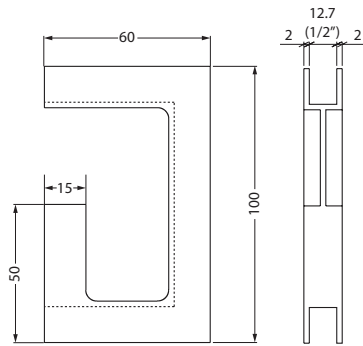


Item No	
1	DSI-4252-C-12

### DSI-4252-12

Finish: Satin

STAINLESS  
304  
STEEL

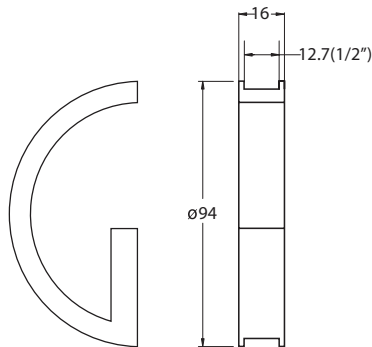


Item No	
2	DSI-4252-12

### DSI-5250-12

Finish: Satin

STAINLESS  
304  
STEEL

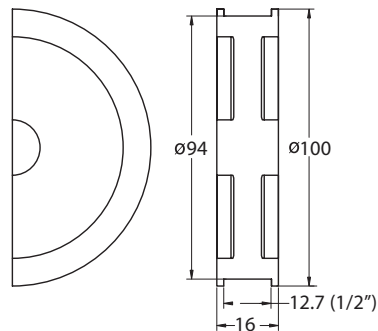


Item No	
3	DSI-5250-12

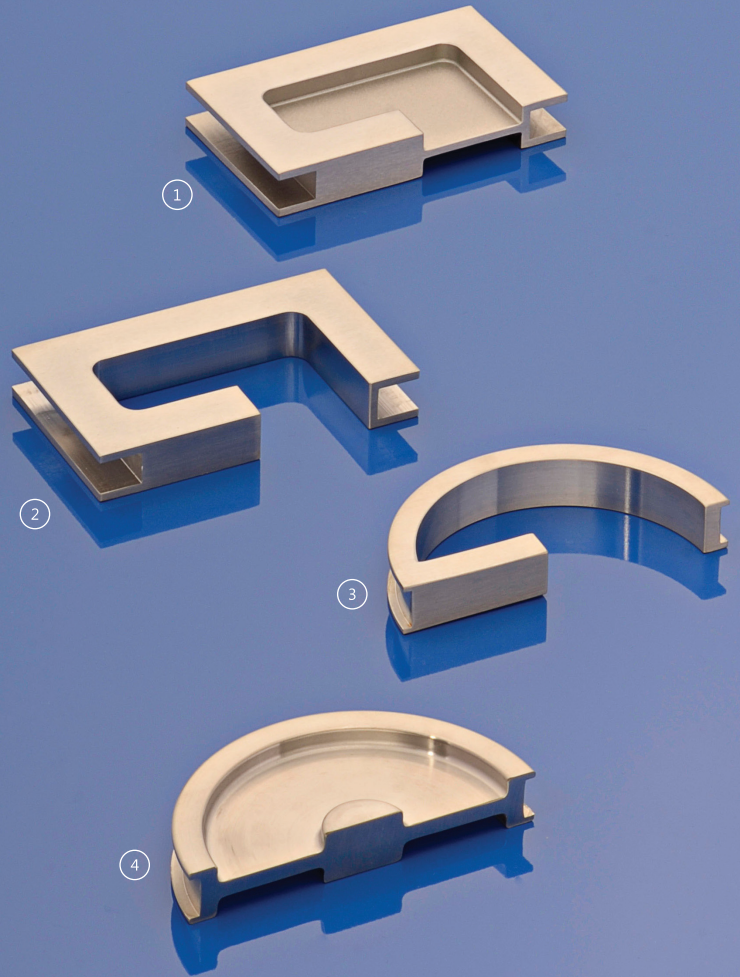
### DSI-3250-12

Finish: Satin

STAINLESS  
304  
STEEL



Item No	
4	DSI-3250-12







1

2



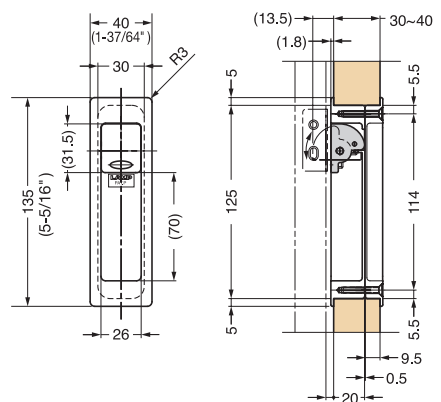
3

4



Material: Zinc Alloy, Steel  
Finish: Chrome (CR), Dull Chrome (DC)

# HH-P135

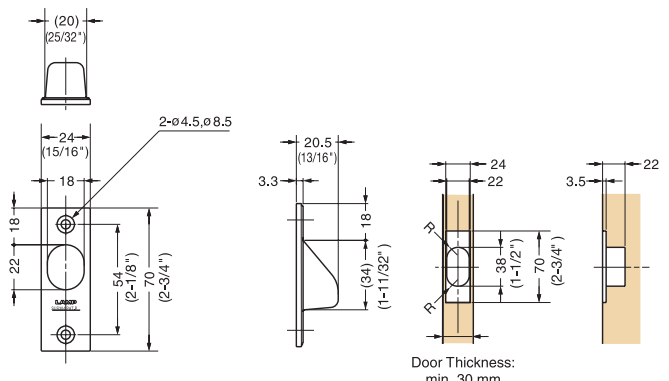


Item No.		L	H	D
1	HH-P135/CR	40 (1-9/16")	135 (5-5/16")	30 ~ 40
2	HH-P135/DC			



Finish: Satin

# YK-70



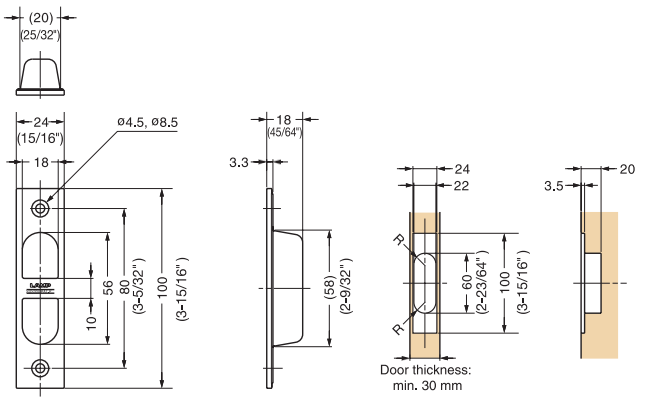
Door Thickness: min. 30 mm

Item No	
3	YK-70



Finish: Satin

# YK-W100



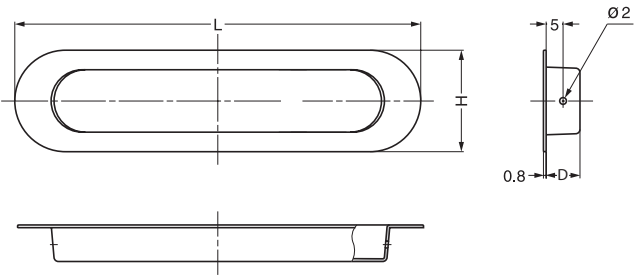
Door thickness: min. 30 mm

Item No	
4	YK-W100



# HN

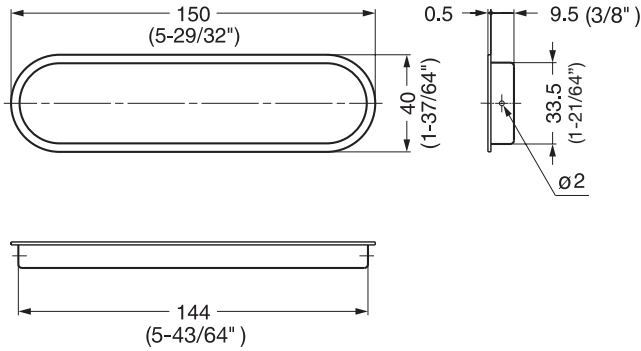
Finish: Satin  



Item No.	L	H	D
1	HN-120SH 120 (4-23/32")	30 (1-3/16")	10 (25/64")
2	HN-150SH 150 (5-29/32")	35 (1-3/8")	12 (15/32")
3	HN-200SH 200 (7-7/8")	50 (1-31/32")	13.2 (33/64")
4	HN-250SH 250 (9-27/32")		

# OP-150

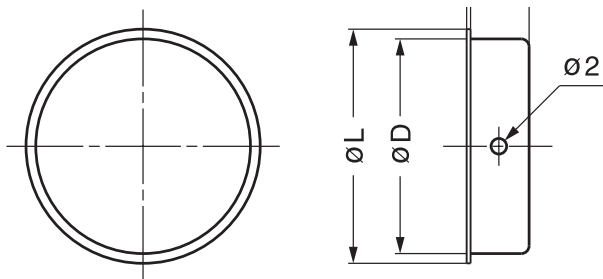
Finish: Satin  



Item No.	L	H
5	OP-150 150 (5-29/32")	40 (1-37/64")

# RP

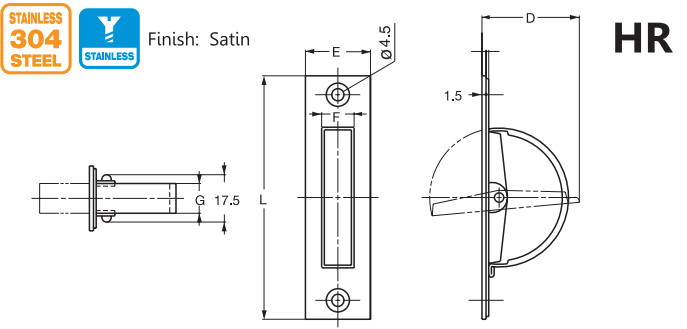
Finish: Satin  



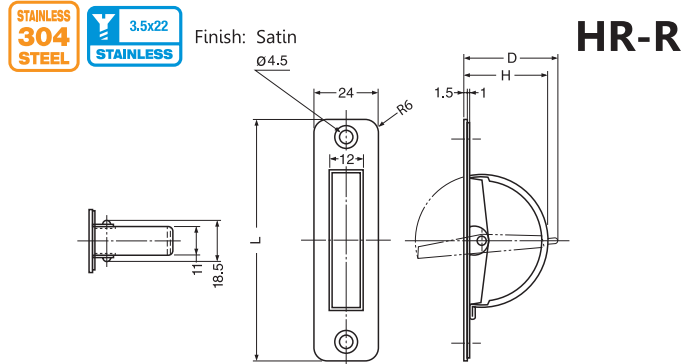
Item No.	L	D
6	RP-30 30 (1-3/16")	27.5
7	RP-37 36 (1-27/64")	31.5
8	RP-45 46 (1-13/16")	41
9	RP-60 60 (2-23/64")	53.5
10	RP-80 80 (3-5/32")	71



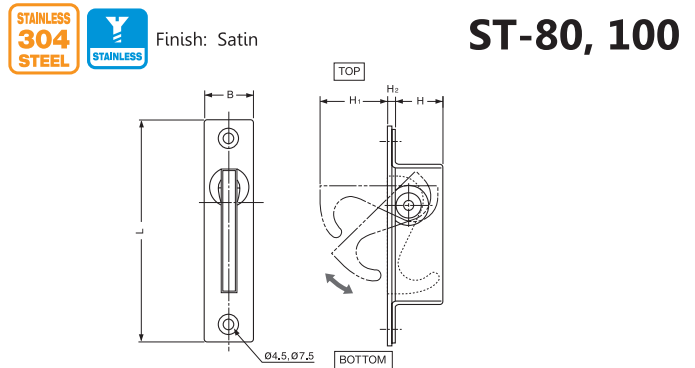




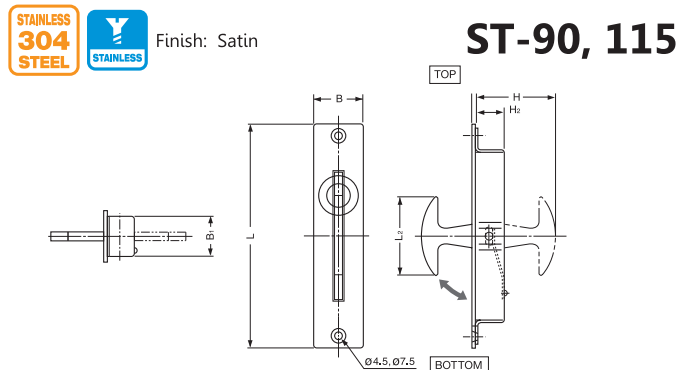
Item No.	L	D	E	G
1	HR- 90	90 (3-35/64")	36	24 (15/16")
2	HR-110	110 (4-21/64")	42	11
3	HR-135	135 (5-5/16")	55	25 (63/64")



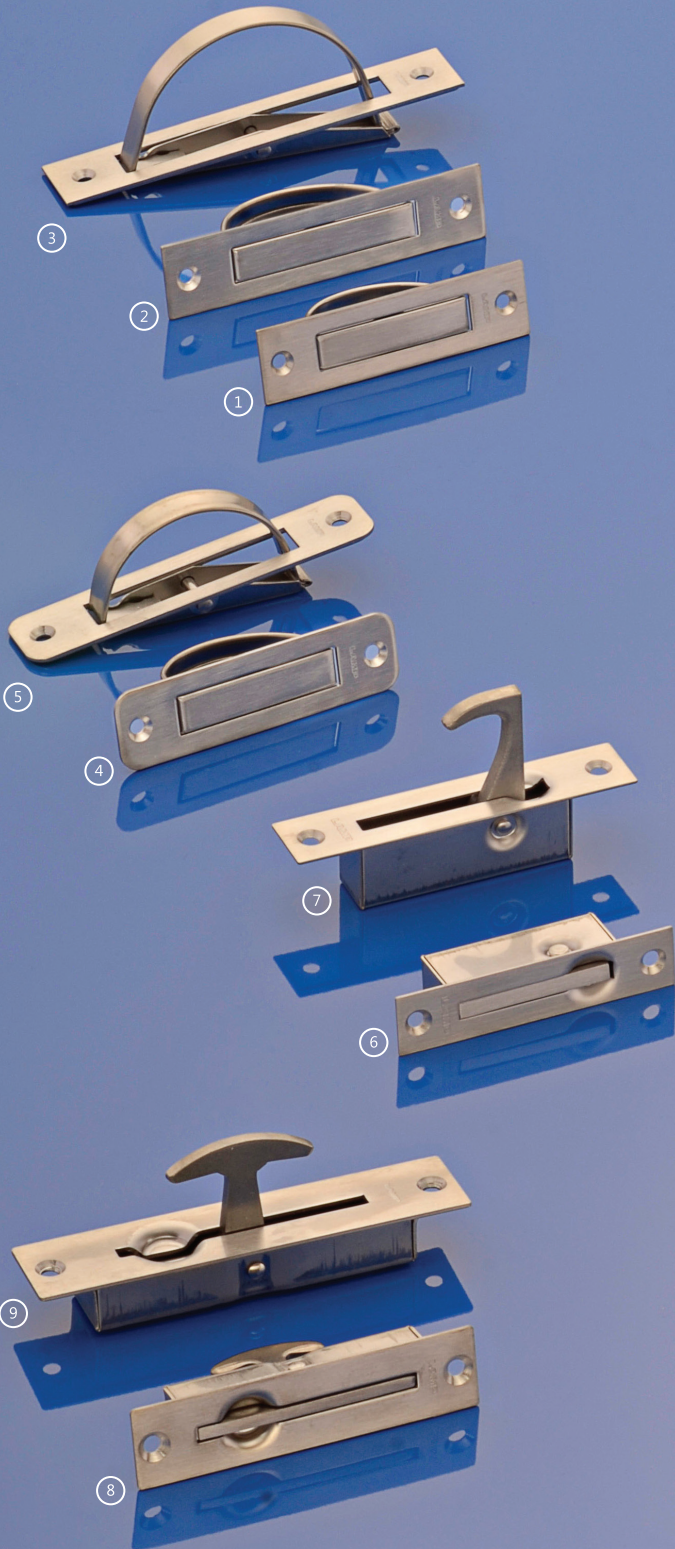
Item No.	L	H	D
4	HR- 90R	90 (3-35/64")	32
5	HR-110R	110 (4-21/64")	42



Item No.	L	H	H <sub>1</sub>	B
6	ST- 80	80 ( 3-9/64" )	18	25
7	ST-100	100 ( 3-15/16" )	21	32



Item No.	L	L <sub>1</sub>	H	H <sub>2</sub>	B	B <sub>1</sub>
8	ST- 90	90 ( 3-35/64" )	66.2	35.5	22 (55/64")	18.5
9	ST-115	115 ( 4-17/32" )	86.2	42	25 (63/64")	20







Architecture Firm: Eisner Design, LLC  
Project name: Watts Street  
Photographer: Stephen Scott Gross Photography  
[www.eisnerdesign.com](http://www.eisnerdesign.com)



HANDLES				
Picture	Item No.		Center to Center	Page
	16 SERIES		3-25/32" ~ 23-5/16"	32-33
	27 SERIES		3-25/32" ~ 23-5/16"	32-33
	DIH		3-25/32" ~ 20-5/16"	34
	DSI-110		3-25/32" ~ 20-5/32"	34
	KBE-1036		6-5/16" ~ 31-3/16"	35
	KBE-1014		6-5/16" ~ 12-19/32"	35
	KBE-1010		5-1/32" ~ 19-3/8"	35
	70 SERIES		3-25/32" ~ 12-19/32"	36
	KBE-1035		6-5/16" ~ 19-3/8"	36
	30 SERIES		3-25/32" ~ 7-9/16"	36
	82 SERIES		6-19/64" ~ 12-19/32"	36
	26 SERIES		3-25/32" ~ 54-13/16"	37
	28 SERIES		3-25/32" ~ 54-13/16"	37
	KC-R		3-1/2" ~ 6"	38
	EK-R		3-1/2" ~ 6"	38
	DSI-120		3-25/32" ~ 20-5/32"	39
	FB		3-7/32" ~ 4-23/32"	39
	KB		63/64" ~ 3-11/32"	40
	KS		3" ~ 4"	40
	ECH		2-61/64" ~ 11-13/16"	41
	KC-S		3-1/2" ~ 6"	41
	EK-S		3-1/2" ~ 6"	41
	XL-JS		6-19/64" ~ 13-55/64"	42
	XL-JSR		1-17/64" ~ 5-1/32"	42

Picture	Item No.		Center to Center	Page
	XL-CU		2-27/32" ~ 11-1/2"	42
	XL-CUR		2-3/4" ~ 5-33/64"	42
	EC		3-5/8" ~ 6-25/32"	43
	DL		2-33/64" ~ 5-43/64"	43
	DS		63/64" ~ 3-11/32"	43
	FT-65,80,100		2-1/4" ~ 3-15/32"	44
	FT-110S		4-5/16"	44
	FT-120,150		4-11/64" ~ 5-3/16"	44
	FT-200,280		6-57/64" ~ 9-31/32"	44
	2LC		2-33/64" ~ 6-19/64"	45
	3LC		4-9/64" ~ 4-59/64"	45
	4LC		2-23/64" ~ 6-19/64"	45
	MG		5-29/32" ~ 11-13/16"	46
	US		2-1/8" ~ 5-33/64"	46
	KBE-1011		5-1/32" ~ 19-3/8"	47
	40 SERIES		5-1/32" ~ 7-9/16"	47
	KPH		6-19/64" ~ 11-11/32"	47
	KK-H		2-3/4" ~ 4-23/32"	48
	KK-M		2-3/4" ~ 4-23/32"	48
	XLA-HA		3-25/32" ~ 12-19/32"	49
	KAKU-A		3-1/6" ~ 4-7/16"	49
	936 SERIES		2-11/64" ~ 3-61/64"	49



HANDLES

Picture	Item No.	Center to Center	Page
	KBE-1005	12-19/32"	50
	SAZ	4-1/64"	50
	EC-Y	4-23/32"~ 6-11/16"	50
	EC-H	4-17/32"~ 5-45/64"	50
	LX	3-25/32"	51
	LX-90/M, LX-110/M	3"~ 3-25/32"	51
	DLB	3-25/32"	51
	FK-100-WW		51

Picture	Item No.	Page
	XLA-HH	56
	UP-600	56
	3922 SERIES	56
	3511,3512 SERIES	56
	HCT-150	57
	MUD-140	57
	TMU-115	57
	PT-148	57
















RECESSED PULLS

Picture	Item No.	Page
	HH-D	52
	HH-DS	52
	HH-K	52
	HH-KS	52
	HH-KP150	53
	HH-KL160	53
	HH-FB, HH-FC	53
	UTZ-130	54
	SD-160	54
	UT	54
	SP	54
	HH-AS2	55
	HH-AS3	55
	ES-611	55

PULLS

Picture	Item No.	Page
	DSI-350	58
	SND	58
	SN	58
	CN	59
	AG	59
	RD	59
	RD-55/SM, 90/SM	59
	26700	60
	26901	60
	26900	60
	980643	61
	980641,980642	61
	980640	61
	587B	62



PULLS			
Picture	Item No.		Page
	587		62
	580		62
	3261,3262 SERIES		62
	FH-100AK, FH-100BK		63
	FH-100AM, FH-100BM		63
	AOT35	 	64
	DR	 	64
	FS-04/S		64
	FS-06/S		64

KNOBS			
Picture	Item No.		Page
	DSI-126D		65
	GT-40CR		65
	DG-BT		65
	DG-BT2		65
	TS		66
	DJ-22		66
	GLA		66
	MRB		67
	DW-50N		67
	SY		67
	PK-03		68
	A SERIES		68
	MKZ		68

Picture	Item No.		Page
	KK-T		69
	KK-B		69
	RSS	  	70-71
	DSI-209		70-71
	EY-301		70-71
	EY-327		70-71
	EY-326		70-71
	EY-339		70-71
	EY-338		70-71
	EY-207		70-71
	EY-320		70-71
	EY-127		70-71
	RS-38	  	70-71



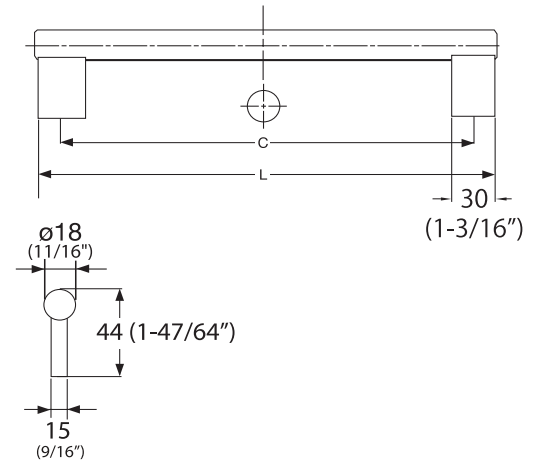


Interior Design Firm: **Artistic Designs for Living**  
 Project: Lanier Cole  
 Photo Credit: ARTKADE  
[www.adlsf.com](http://www.adlsf.com)



Finish: Satin (S)

## 27 SERIES

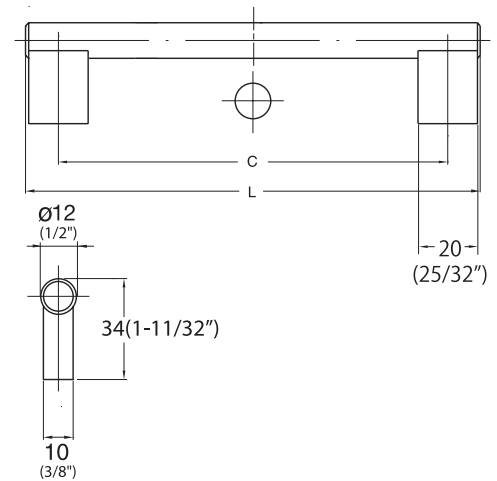


Item No.	L	C
1	128 (5-1/32")	96 (3-25/32")
2	160 (6-5/16")	128 (5-1/32")
3	192 (7-9/16")	160 (6-5/16")
4	224 (8-13/16")	192 (7-9/16")
5	272 (10-3/4")	240 (9-3/8")
6	320 (12-8/16")	292 (11-7/16")
7	374 (14-3/4")	342 (13-15/32")
8	424 (16-11/16")	392 (15-7/16")
9	524 (20-5/8")	492 (19-3/8")
10	624 (24-9/16")	592 (23-5/16")



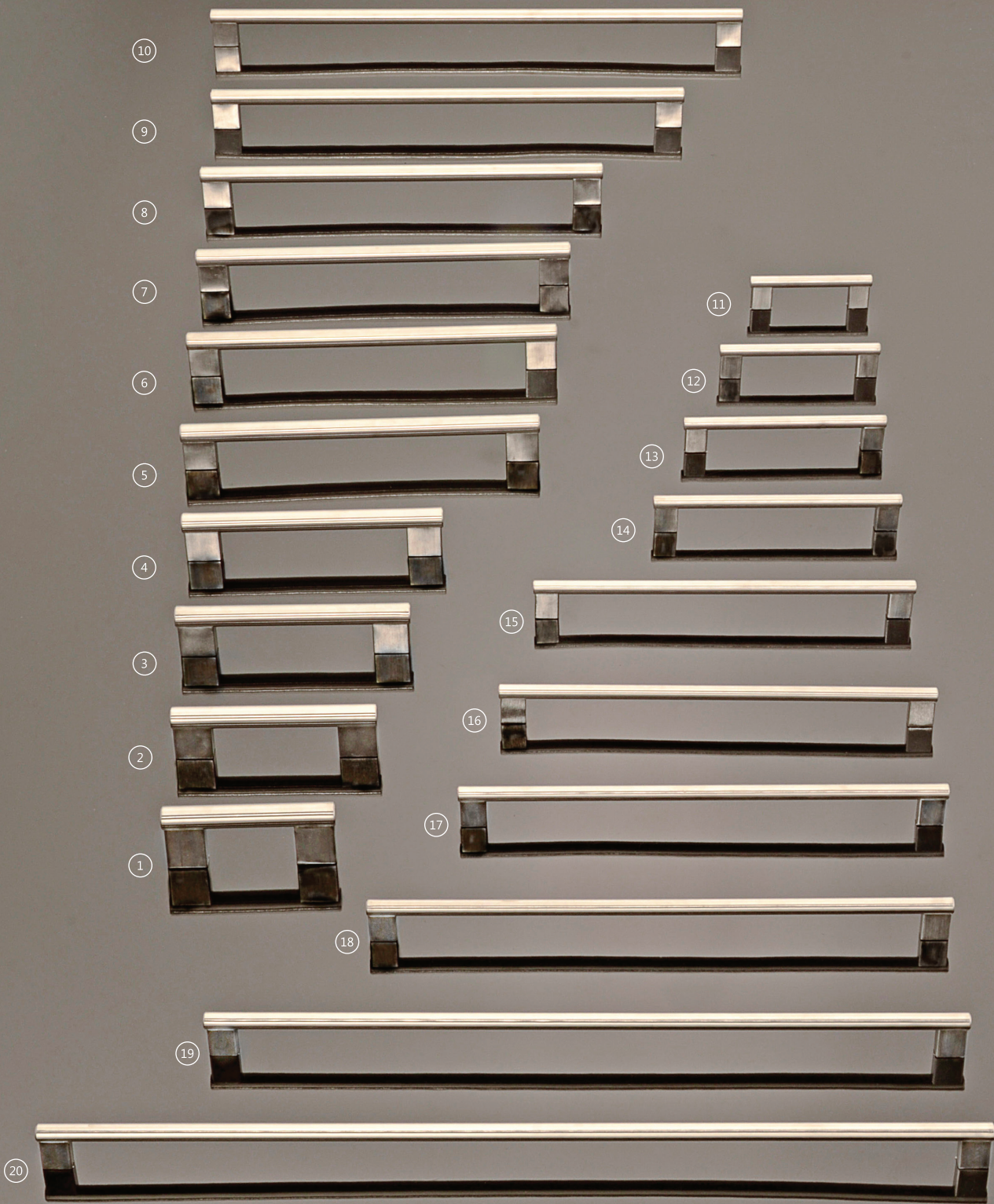
Finish: Satin (S)

## 16 SERIES



Item No.	L	C
11	118 (4-41/64")	96 (3-25/32")
12	164 (5-29/32")	128 (5-1/32")
13	182 (7-5/32")	160 (6-5/16")
14	214 (8-7/16")	192 (7-9/16")
15	314 (12-3/8")	292 (11-7/16")
16	342 (13-15/32")	320 (12-9/16")
17	364 (14-11/32")	342 (13-15/31")
18	414 (16-5/16")	392 (15-7/16")
19	514 (20-1/4")	492 (19-3/8")
20	614 (24-5/32")	592 (23-5/16")

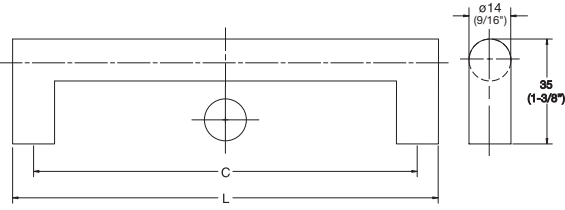






## DIH

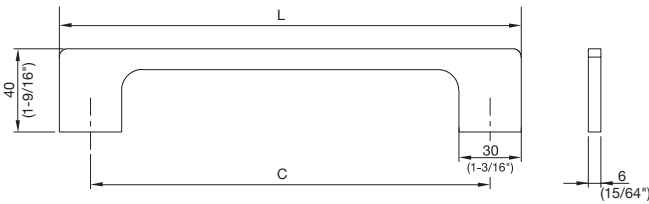
Finish: Satin (S)



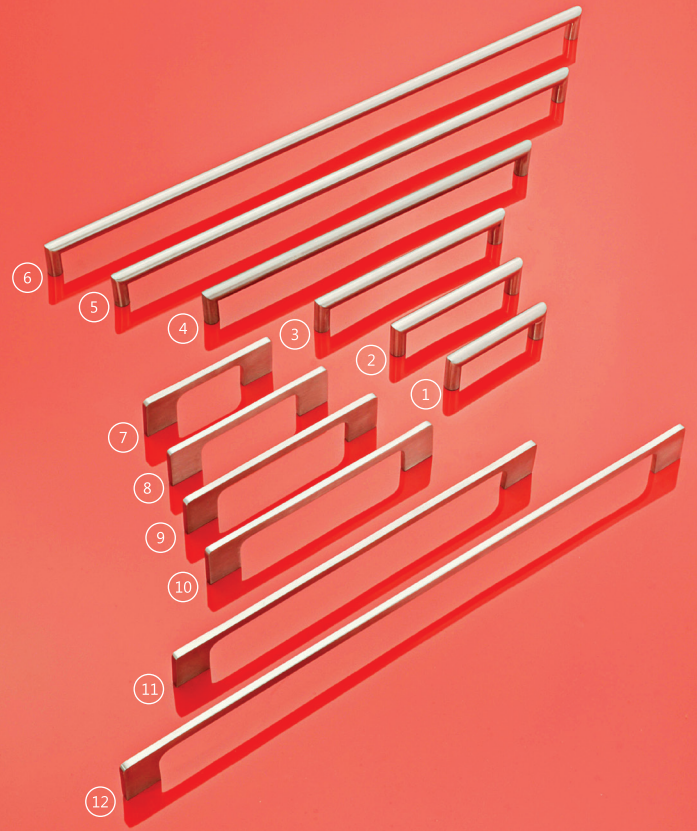
Item No.	L	C
1 DIH-096	110 (4-11/32")	96 (3-25/32")
2 DIH-128	142 (5-19/32")	128 (5-1/32")
3 DIH-192	206 (8-1/8")	192 (7-9/16")
4 DIH-342	356 (14-1/32")	342 (13-15/32")
5 DIH-492	506 (19-29/32")	492 (19-3/8")
6 DIH-592	606 (23-7/8")	592 (23-5/16")

## DSI-110

Finish: Satin (S)



Item No.	L	C
7 DSI-110- 96	126 (4-31/32")	96 (3-25/32")
8 DSI-110-128	158 (6-7/32")	128 (5-1/32")
9 DSI-110-160	190 (7-15/32")	160 (6-5/16")
10 DSI-110-192	222 (8-3/4")	192 (7-9/16")
11 DSI-110-320	350 (13-25/32")	320 (12-19/32")
12 DSI-110-512	542 (21-11/32")	512 (20-5/32")

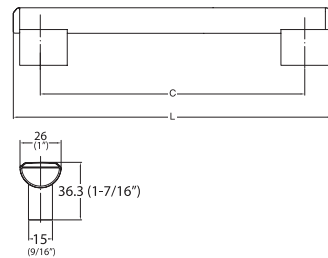


Architect: Amy A. Alper, Architect  
 Project name: Currier Condominium  
 Photo credit: Eric Rorer

[www.alperarchitect.com](http://www.alperarchitect.com)

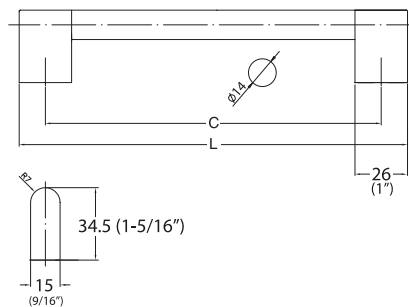


Material: 304 Stainless Steel  
Zinc Alloy **KBE-1036**  
Finish: Satin (S)



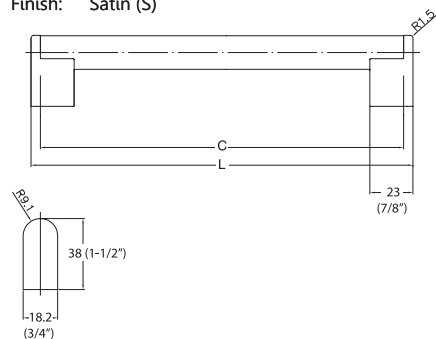
Item No.	L	C
1 KBE-1036-160	196	160 (6-5/16")
2 KBE-1036-192	228	192 (7-9/16")
3 KBE-1036-320	356	320 (12-19/32")
4 KBE-1036-392	428	392 (15-7/16")
5 KBE-1036-492	528	492 (19-5/16")
6 KBE-1036-592	628	592 (23-3/8")
7 KBE-1036-792	828	792 (31-3/16")

Material: 304 Stainless Steel  
Zinc Alloy **KBE-1014**  
Finish: Satin (S)



Item No.	L	C
8 KBE-1014-160	185	160 (6-5/16")
9 KBE-1014-320	345	320 (12-19/32")

Material: 304 Stainless Steel  
Zinc Alloy **KBE-1010**  
Finish: Satin (S)



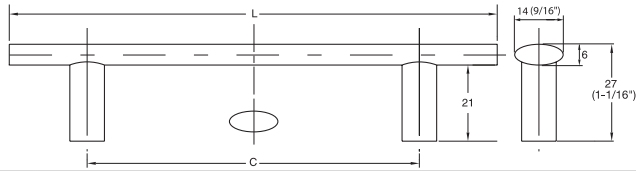
Item No.	L	C
10 KBE-1010-128	138	128 (5-1/32")
11 KBE-1010-160	170	160 (6-5/16")
12 KBE-1010-192	202	192 (7-9/16")
13 KBE-1010-292	302	292 (11-1/2")
14 KBE-1010-320	330	320 (12-19/32")
KBE-1010-492	502	492 (19-3/8")





# 70 SERIES

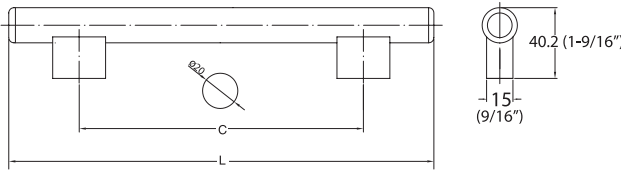
Finish: Satin (S)



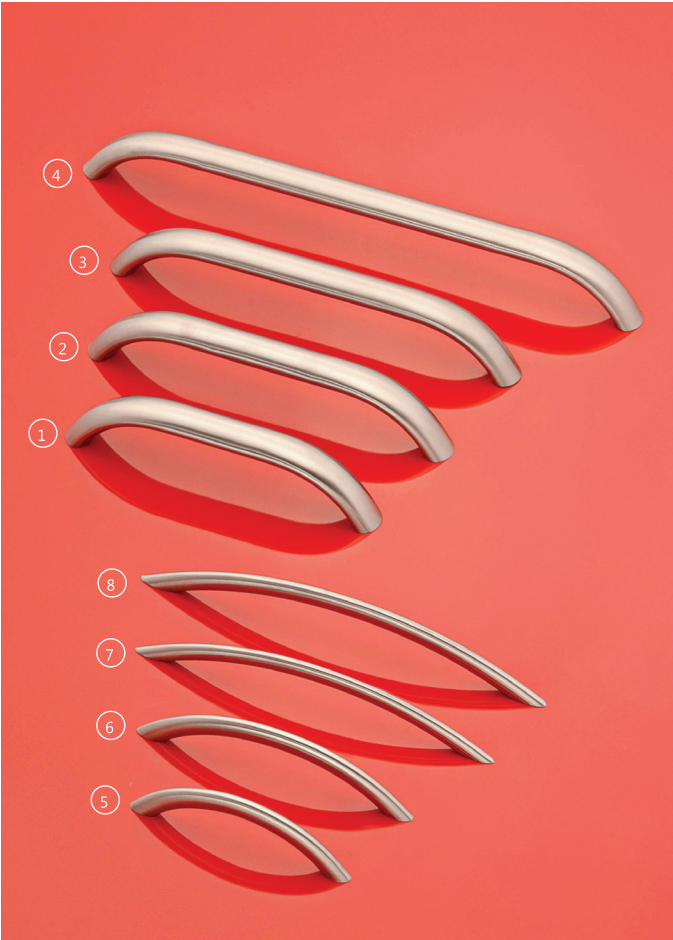
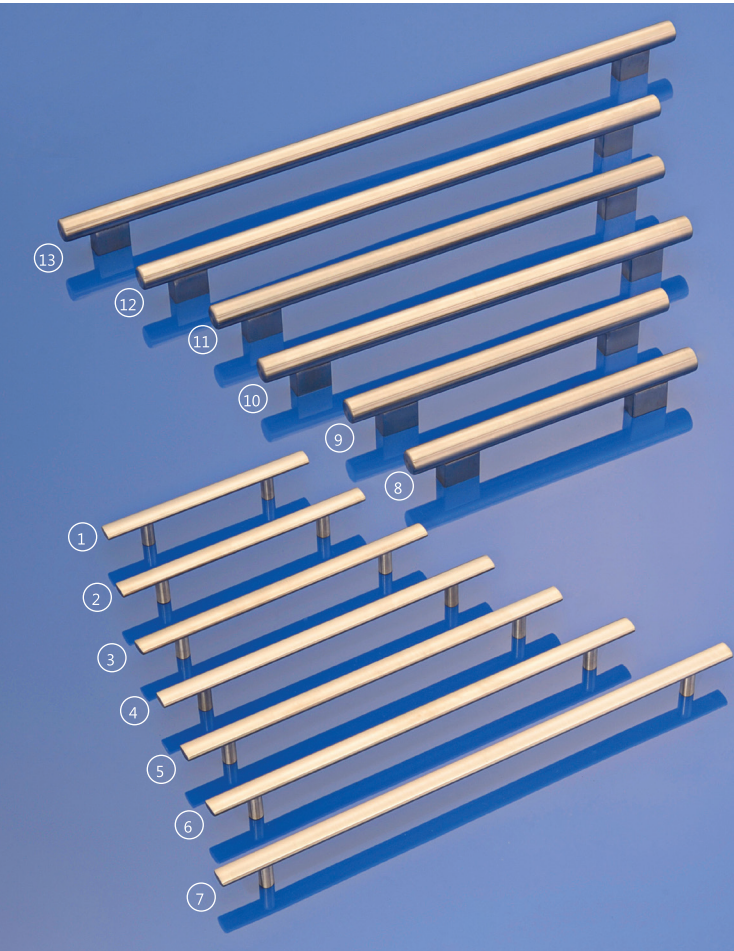
Item No.	L	C	
1	7013	160 (6-5/16")	96 (3-25/32")
2	7014	192 (7-9/16")	128 (5-1/32")
3	7015	224 (8-13/16")	160 (6-19/64")
4	7016	256 (10-5/64")	192 (7-9/16")
5	7017	288 (11-11/32")	224 (8-13/16")
6	7018	320 (12-19/32")	256 (10-5/64")
7	7020	384 (15-1/8")	320 (12-19/32")

# KBE-1035

Finish: Satin (S)

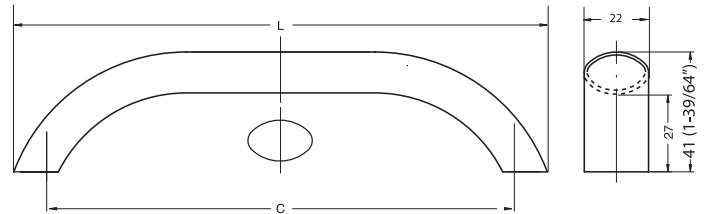


Item No.	L	C	
8	KBE-1035-160	240 (9-7/16")	160 (6-5/16")
9	KBE-1035-192	272 (10-11/16")	192 (6-19/64")
10	KBE-1035-292	372 (14-5/8")	292 (11-1/2")
11	KBE-1035-320	400 (15-3/4")	320 (12-19/32")
12	KBE-1035-392	472 (18-9/16")	392 (15-13/32")
13	KBE-1035-492	572 (22-1/2")	492 (19-3/8")



Material: 304 Stainless Steel & Aluminum  
Finish: Satin (S)

# 82 SERIES

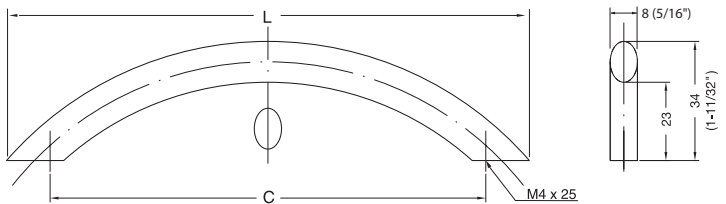


Item No.	L	C	
1	8261	182 (7-3/16")	160 (6-19/64")
2	8262	214 (8-7/16")	192 (7-9/16")
3	8263	246 (9-11/16")	224 (8-13/16")
4	8264	342 (13-7/16")	320 (12-19/32")



Finish: Satin (S)

# 30 SERIES



Item No.	L	C	
5	3096	118 (4-5/8")	96 (3-25/32")
6	3097	151 (5-15/16")	128 (5-1/32")
7	3098	189 (7-7/16")	160 (6-19/64")
8	3099	224 (8-13/16")	192 (7-9/16")

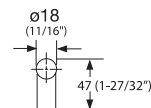
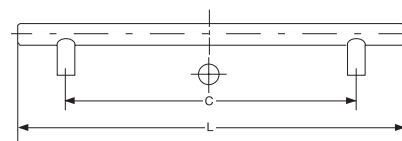


STAINLESS  
304  
STEEL

M4x25  
STAINLESS

## 28 SERIES

Finish: Satin (S)



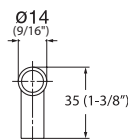
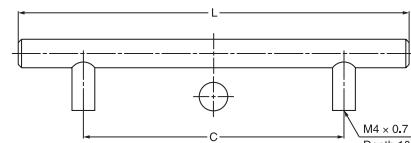
Item No.	L	C
1	28096	96 (3-25/32")
2	28128	128 (5-1/32")
3	28192	192 (7-9/16")
4	28342	342 (13-15/32")
5	28492	492 (19-3/8")
6	28592	592 (23-5/16")
7	281192	1192 (46-59/64")
8	281392	1392 (54-13/16")

STAINLESS  
304  
STEEL

M4x25  
STAINLESS

## 26 SERIES

Finish: Satin (S)



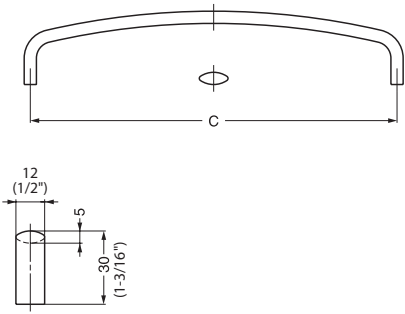
Item No.	L	C
9	2646	96 (3-25/32")
10	2647	128 (5-1/32")
11	2650	192 (7-9/16")
12	2653	342 (13-15/32")
13	2655	492 (19-3/8")
14	2656	592 (23-5/16")
15	2658	1156 (45-1/2")
16	2659	1392 (54-13/16")



### KC-R



Finish: Mirror (M)  
Satin (S)

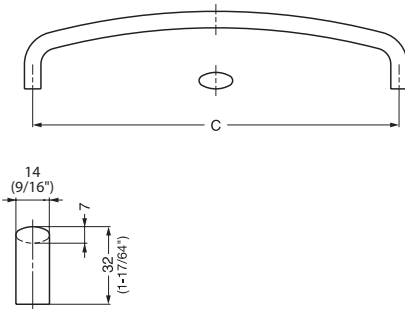


Item No.		C
1	KC-R635/M	88.9 (3-1/2")
2	KC-R635/S	
3	KC-R640/M	101.6 (4")
4	KC-R640/S	
5	KC-R650/M	127 (5")
6	KC-R650/S	
7	KC-R660/M	152.4 (6")
8	KC-R660/S	

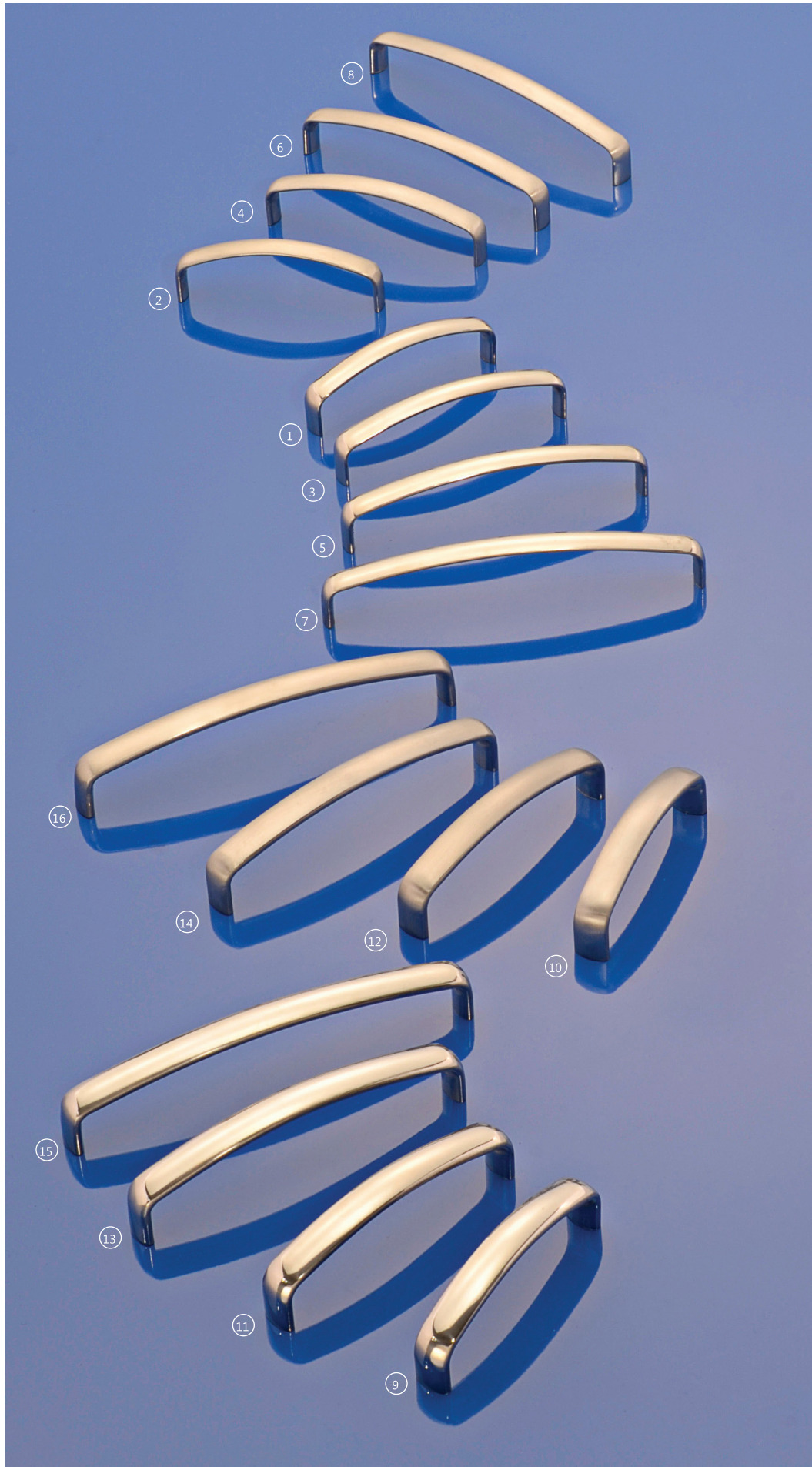
### EK-R



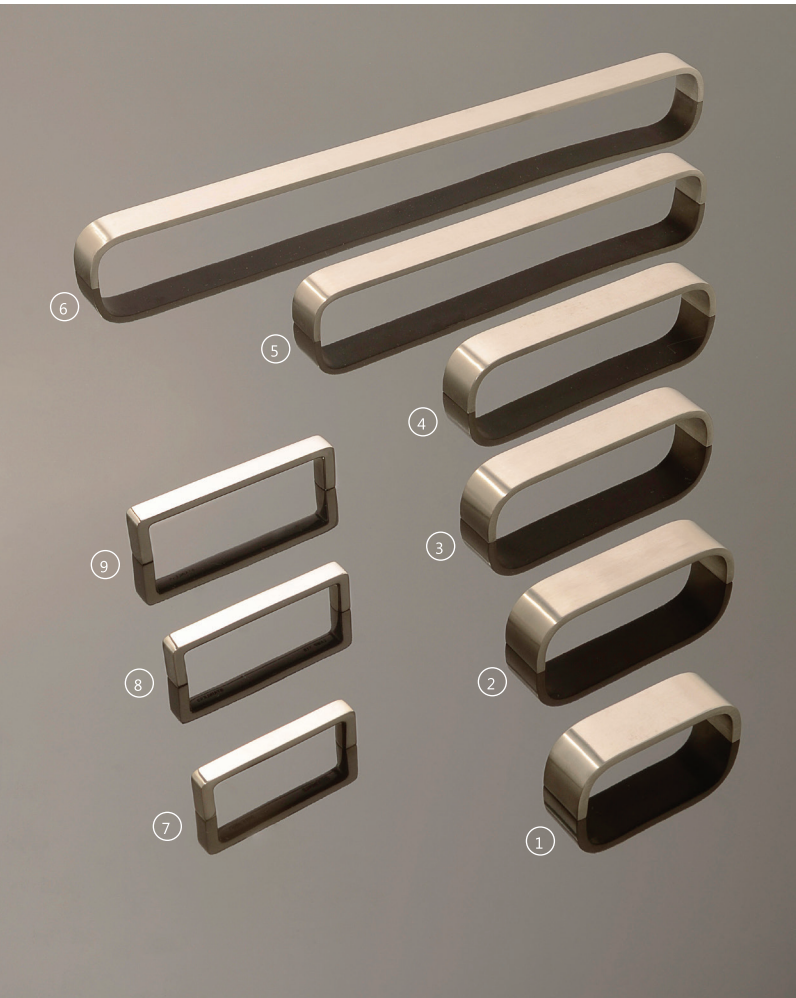
Finish: Mirror (M)  
Satin (S)



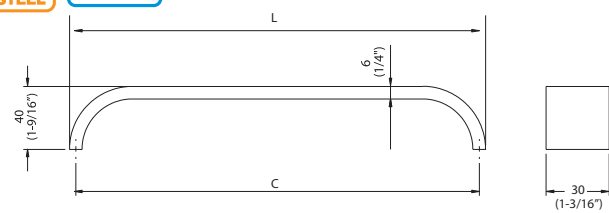
Item No.		C
9	EK-R635/M	88.9 (3-1/2")
10	EK-R635/S	
11	EK-R640/M	101.6 (4")
12	EK-R640/S	
13	EK-R650/M	127 (5")
14	EK-R650/S	
15	EK-R660/M	152.4 (6")
16	EK-R660/S	





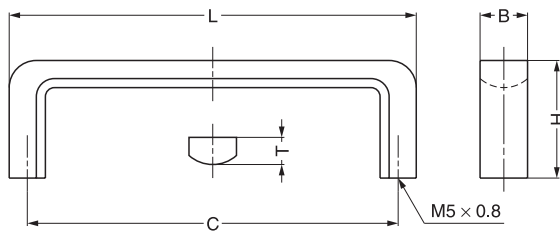


**STAINLESS 304 STEEL** **M4x25 STAINLESS** Finish: Satin (S) **DSI-120**



Item No.	L	C
1	DSI-120- 96	102
2	DSI-120-128	134
3	DSI-120-160	166
4	DSI-120-192	196
5	DSI-120-320	326
6	DSI-120-512	518

**STAINLESS 304 STEEL** **M5x25 STAINLESS** Finish: Mirror (M) **FB**



Item No.	L	C	H	B	T
7	FB- 90	82 (3-7/32")	26 (1-1/32")	10.5	6
8	FB-110	102 (4-1/64")	28 (1-7/64")	12.5	7
9	FB-130	120 (4-23/32")	32 (1-17/64")	14.5	8

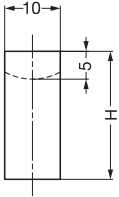
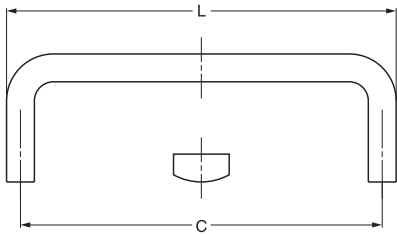


Architect firm: Eisner Design  
 Project: Watts St. Kitchen  
 Photographer: Stephen Scott Gross Photography  
 Website: www.eisnerdesign.com



**KB**

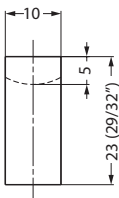
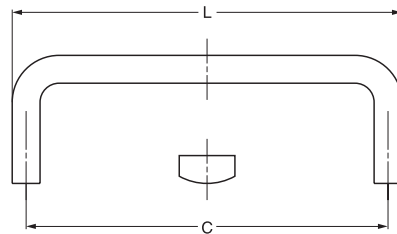
Finish: Mirror (M)  
Satin (S)



	Item No.	L	C	H
1	KB-30/M	30	25 (63/64")	23 (29/32")
2	KB-30/S			
3	KB-50/M	50	45 (1-25/32")	22 ( 7/8" )
4	KB-50/S			
5	KB-70/M	70	65 (2-9/16")	22.5 (57/64")
6	KB-70/S			
7	KB-90/M	90	85 (3-11/32")	23 (29/32")
8	KB-90/S			

**KS**

Finish: Mirror (M)  
Satin (S)



	Item No.	L	C
9	KS-430/M	81	76 (3")
10	KS-430/S		
11	KS-435/M	94	89 (3-1/2")
12	KS-435/S		
13	KS-440/M	106	102 ( 4" )
14	KS-440/S		



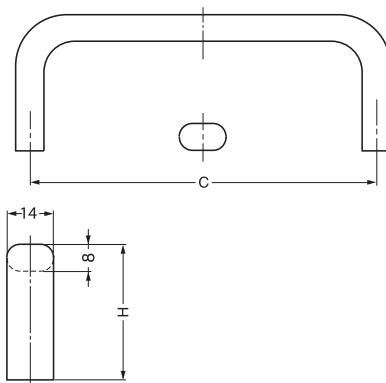


STAINLESS  
303  
STEEL

M5x28  
STEEL

**ECH**

Finish: Mirror (M)  
Satin (S)



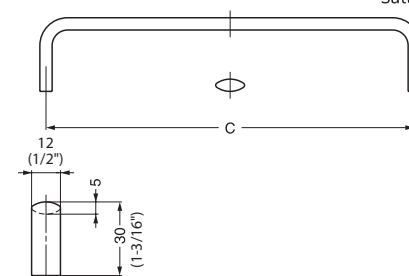
Item No.	C	H
1 ECH- 75/M	75 (2-61/64")	40 (1-37/64")
2 ECH- 75/S		
3 ECH-100/M	100 (3-15/16")	
4 ECH-100/S		
5 ECH-125/M	125 (4-59/64")	50 (1-31/32")
6 ECH-125/S		
7 ECH-150/M	150 (5-29/32")	
8 ECH-200/M		
9 ECH-250/M	250 (9-27/32")	
10 ECH-300/M		

STAINLESS  
316  
STEEL

#6-32x1  
STAINLESS

**KC-S**

Finish: Mirror (M)  
Satin (S)



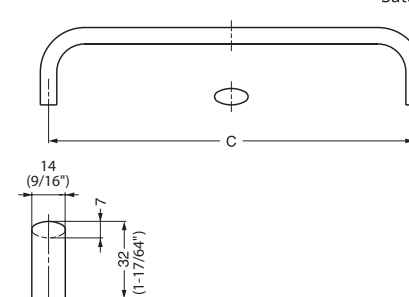
Item No.	C
11 KC-S635/M	KC-S635/S 88.9 (3-1/2")
12 KC-S640/M	KC-S640/S 101.6 (4")
13 KC-S650/M	KC-S650/S 127 (5")
14 KC-S660/M	KC-S660/S 152.4 (6")

STAINLESS  
316  
STEEL

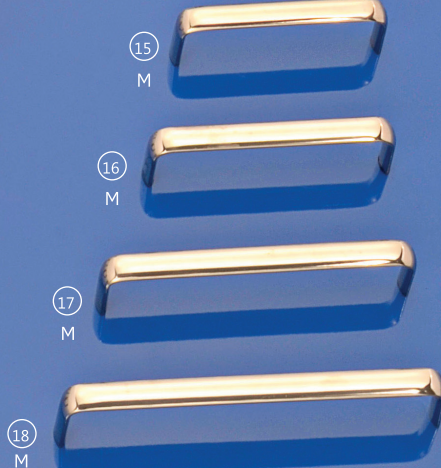
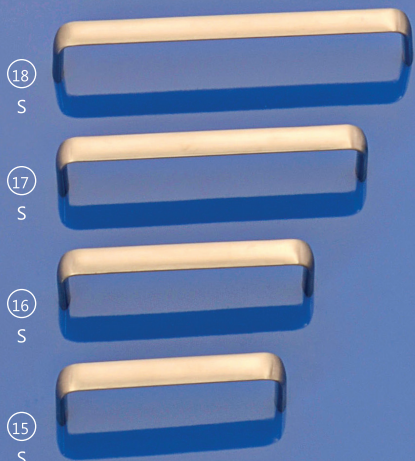
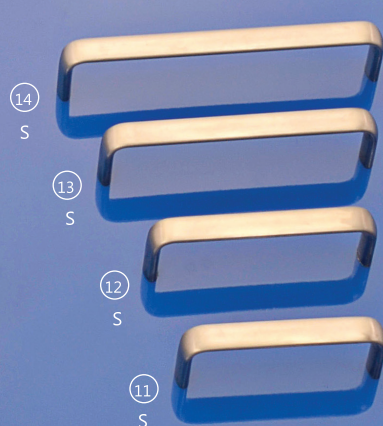
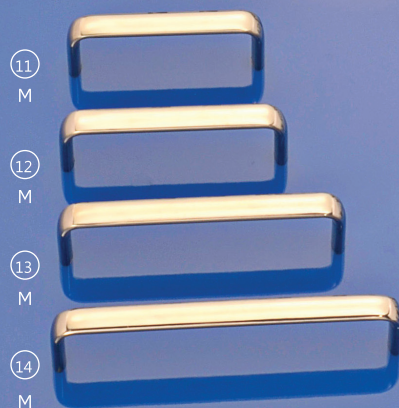
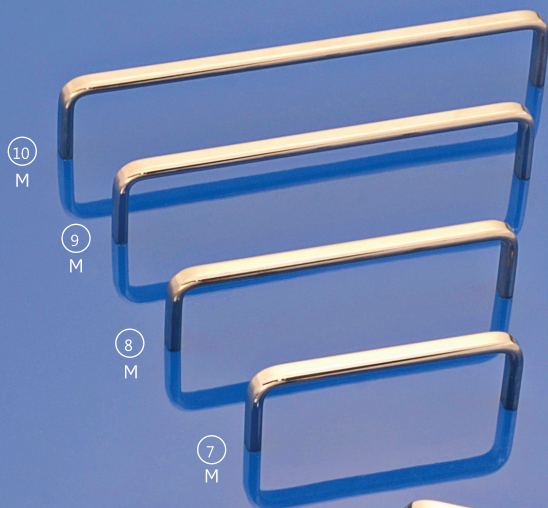
#8-32x1  
STAINLESS

**EK-S**

Finish: Mirror (M)  
Satin (S)



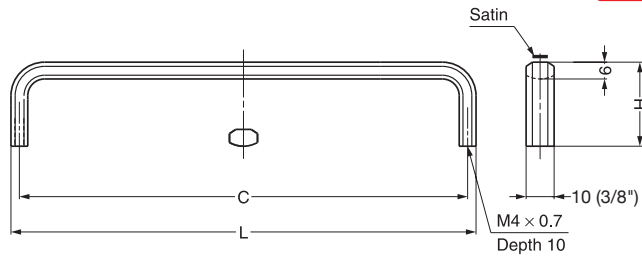
Item No.	C
15 EK-S635/M	EK-S635/S 88.9 (3-1/2")
16 EK-S640/M	EK-S640/S 101.6 (4")
17 EK-S650/M	EK-S650/S 127 (5")
18 EK-S660/M	EK-S660/S 152.4 (6")





### XL-JS

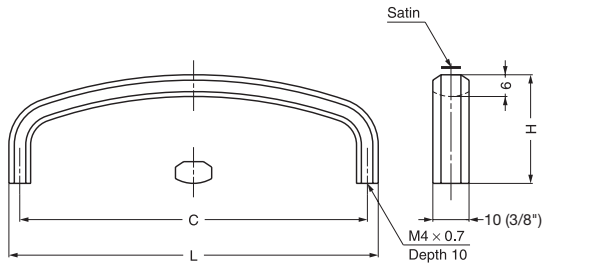
Finish: Mirror & Satin Combination



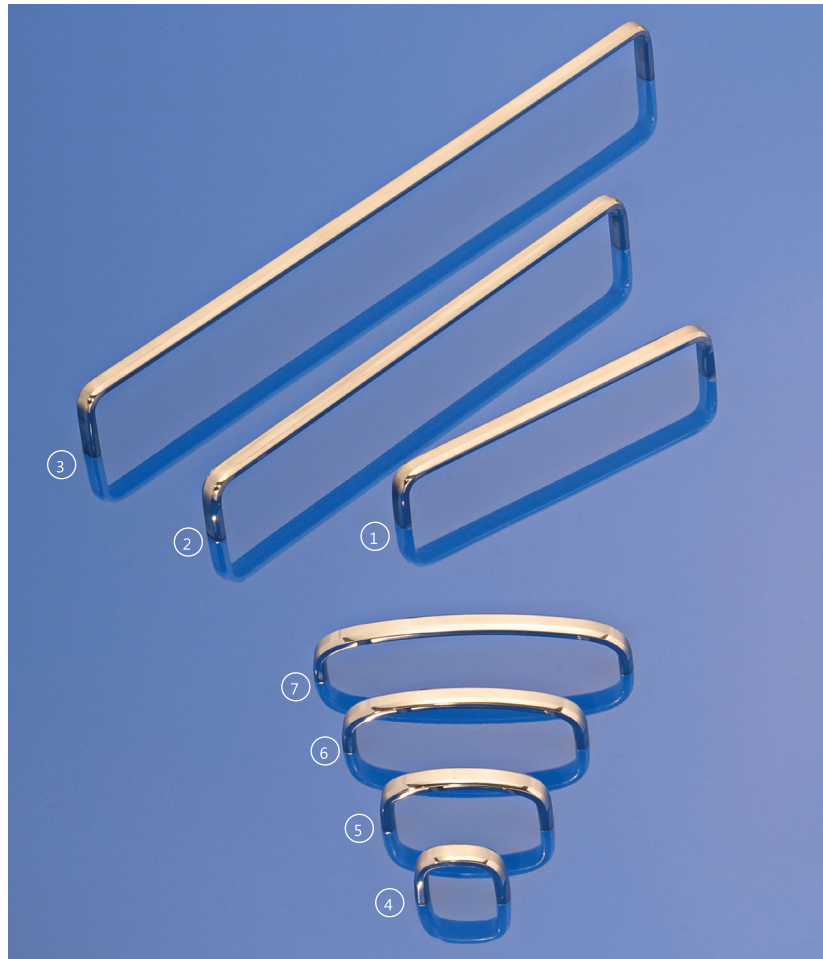
Item No.	L	C	H
1 XL-JS165TT	166 (6-17/32")	160 (6-19/64")	30 (1-3/16")
2 XL-JS260TT	260 (10-15/64")	254 (10")	33 (1-19/64")
3 XL-JS360TT	358 (14-3/32")	352 (13-55/64")	36 (1-27/64")

### XL-JSR

Finish: Mirror & Satin Combination

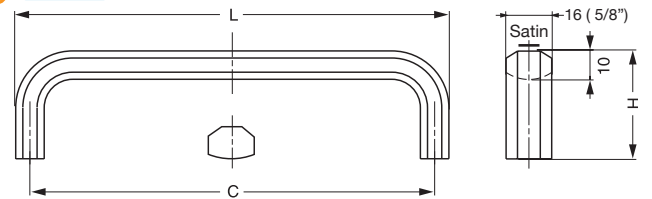


Item No.	L	C	H
4 XL-JSR 40TT	38 (1-1/2")	32 (1-17/64")	27 (1-1/16")
5 XL-JSR 70TT	70 (2-3/4")	64 (2-33/64")	30 (1-3/16")
6 XL-JSR100TT	102 (4")	96 (3-25/32")	
7 XL-JSR135TT	134 (5-1/4")	128 (5-1/32")	



### XL-CU

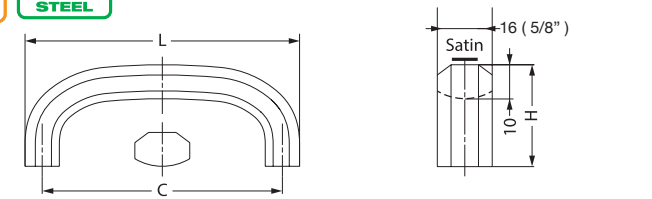
Finish: Mirror & Satin Combination



Item No.	L	C	H
1 XL-CU 80TT	82 (3-7/32")	72 (2-27/32")	32 (1-17/64")
2 XL-CU100TT	102 (4")	92 (3-5/8")	34 (1-11/32")
3 XL-CU120TT	122 (4-13/16")	112 (4-13/32")	36 (1-27/64")
4 XL-CU150TT	152 (5-63/64")	142 (5-19/32")	38 (1-1/2")
5 XL-CU180TT	182 (7-5/32")	172 (6-25/32")	40 (1-37/64")
6 XL-CU220TT	222 (8-3/4")	212 (8-11/32")	42 (1-42/64")
7 XL-CU300TT	302 (11-7/8")	292 (11-1/2")	44 (1-47/64")

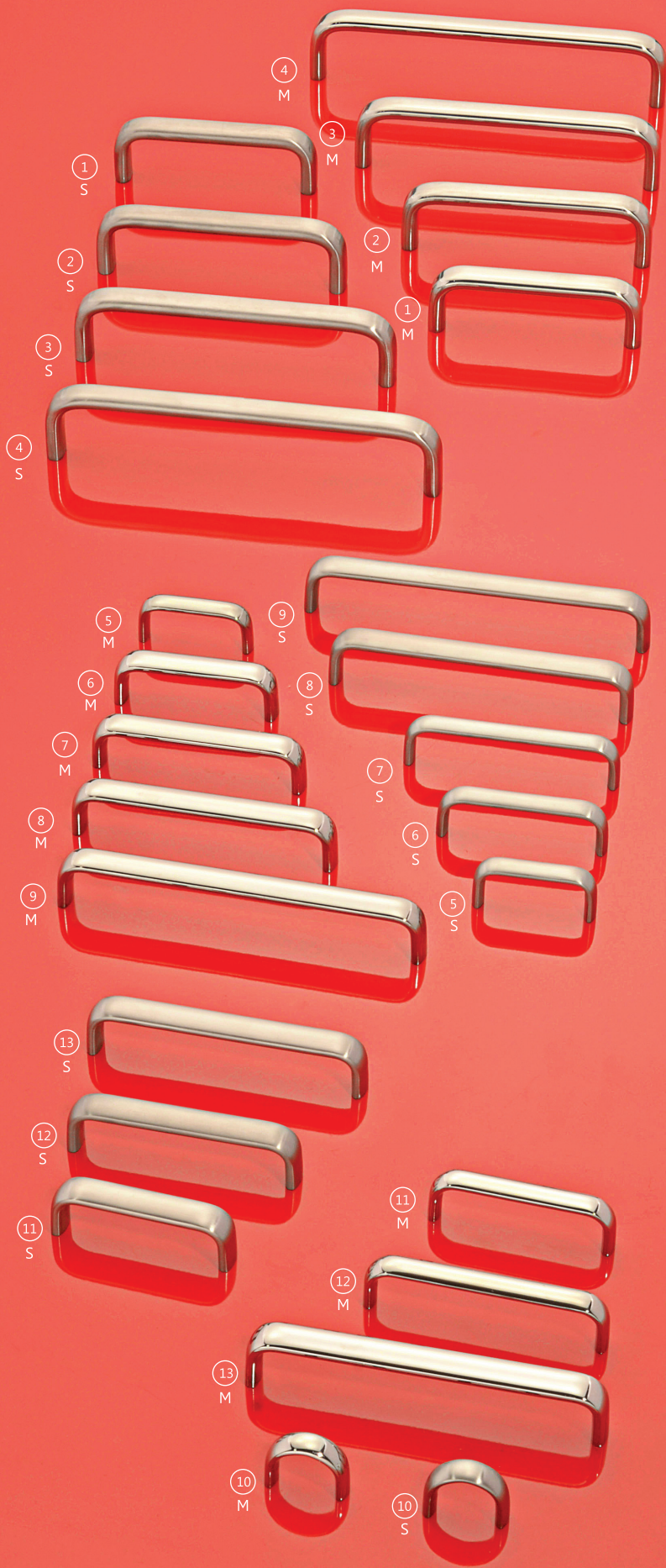
### XL-CUR

Finish: Mirror & Satin Combination



Item No.	L	C	H
8 XL-CUR 80TT	80 (3-9/64")	70 (2-3/4")	30 (1-3/16")
9 XL-CUR100TT	100 (3-15/16")	90 (3-35/64")	32 (1-1/4")
10 XL-CUR120TT	120 (4-23/32")	110 (4-21/64")	34 (1-11/32")
11 XL-CUR150TT	150 (5-29/32")	140 (5-29/32")	36 (1-27/64")



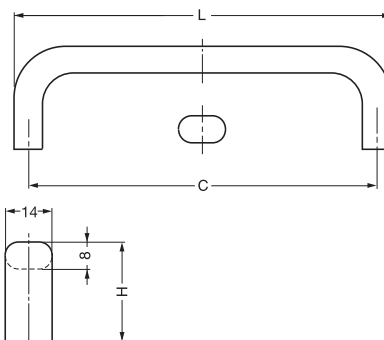


STAINLESS 303 STEEL

M5 x 28 STAINLESS

Finish: Mirror (M)  
Satin (S)

EC



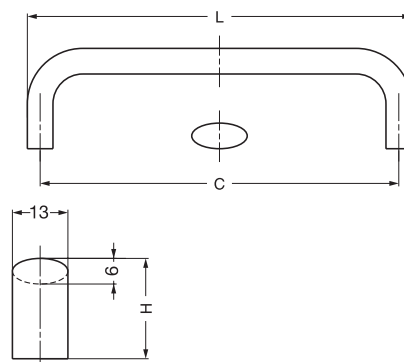
Item No.		L	C	H
1	EC-100/M EC-100/S	100	92 (3-5/8")	32
2	EC-120/M EC-120/S	120	112 (4-13/32")	34
3	EC-150/M EC-150/S	150	142 (5-19/32")	36
4	EC-180/M EC-180/S	180	172 (6-25/32")	37

STAINLESS 303 STEEL

M4x25 STAINLESS

Finish: Mirror (M)  
Satin (S)

DL



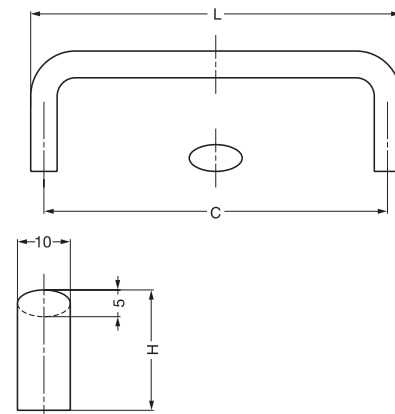
Item No.		L	C	H
5	DL- 70/M DL- 70/S	70	64 (2-33/64")	23
6	DL- 90/M DL- 90/S	90	84 (3-5/16")	23.5
7	DL-110/M DL-110/S	110	104 (4-3/32")	24
8	DL-130/M DL-130/S	130	124 (4-7/8")	24.5
9	DL-150/M DL-150/S	150	144 (5-43/64")	25

STAINLESS 303 STEEL

M3 x 28 STAINLESS

Finish: Mirror (M)  
Satin (S)

DS



Item No.		L	C	H
10	DS-30/M DS-30/S	30	25 (63/64")	23
11	DS-50/M DS-50/S	50	45 (1-25/32")	22
12	DS-70/M DS-70/S	70	65 (2-9/16")	22.5
13	DS-90/M DS-90/S	90	85 (3-11/32")	23

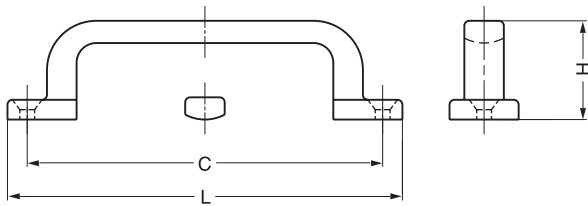


# FT-65, 80, 100

Finish: Mirror (M)



STAINLESS 304 STEEL



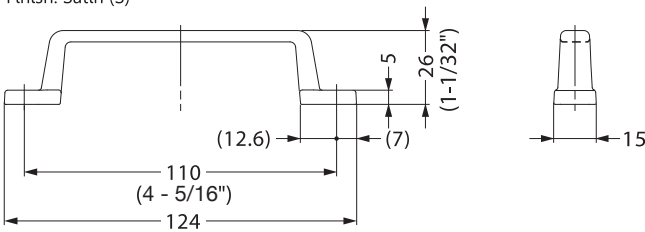
Item No.	L	C	H
1 FT- 65	65	57 (2-1/4")	16 (5/8")
2 FT- 80	80	72 (2-27/32")	20 (25/32")
3 FT-100	100	88 (3 -15/32")	25 (63/64")

# FT-110S

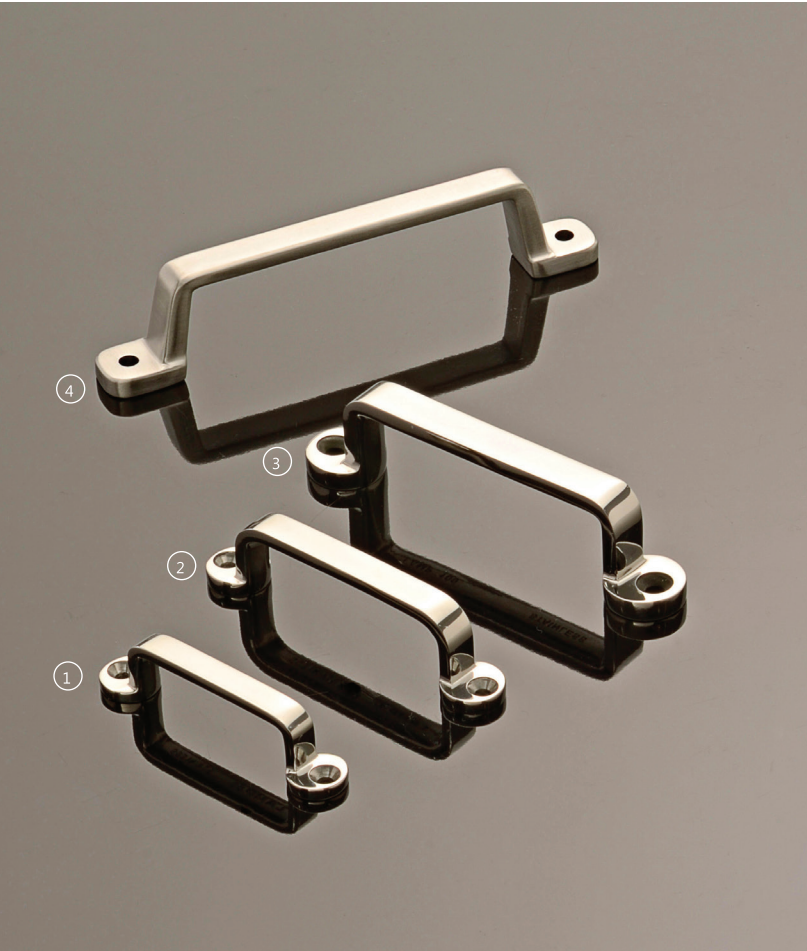
Finish: Satin (S)



STAINLESS 304 STEEL



Item No.	L	C	H
4 FT-110S	124	110 (4-5/16")	26 (1-1/32")

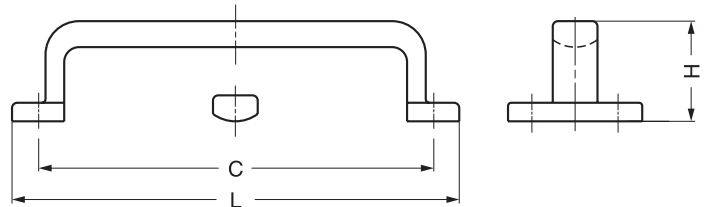


STAINLESS 304 STEEL



Finish: Mirror (M)

# FT-120, 150



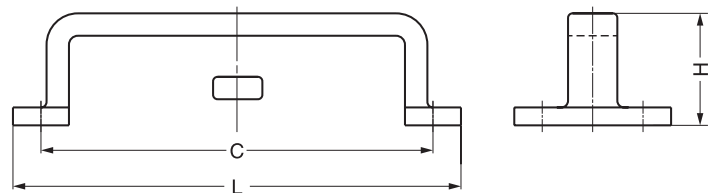
Item No.	L	C	H
1 FT-120	120	106 (4-11/64")	27 (1-1/16")
2 FT-150	150	132 (5-3/16")	33 (1-19/64")

STAINLESS 316 STEEL



Finish: Mirror (M)

# FT-200, 280



Item No.	L	C	H
3 FT-200	200	175 (6-57/64")	50 (1-31/32")
4 FT-280	280	253 (9-31/32")	62 (2-7/16")



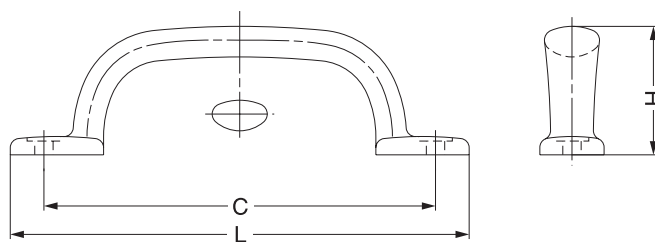


**STAINLESS 316 STEEL**



Finish: Mirror (M)

**2LC**



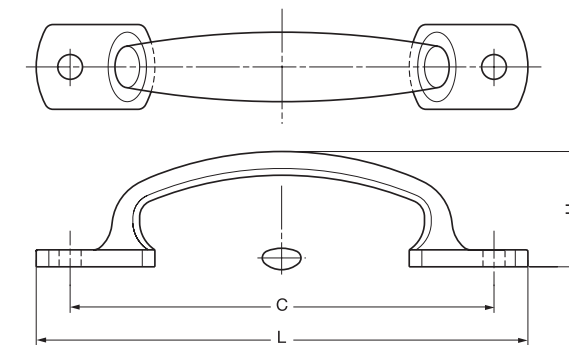
Item No.	L	C	H	
1	2LC-80	80 (3-5/32")	64 (2-33/64")	35 (1-3/8")
2	2LC-120	120 (4-23/32")	96 (3-25/32")	36 (1-27/64")
3	2LC-150	150 (5-29/32")	128 (5-1/32")	42 (1-42/64")
4	2LC-180	180 (7-3/32")	160 (6-19/64")	45 (1-49/64")

**STAINLESS 316 STEEL**



Finish: Mirror (M)

**3LC**



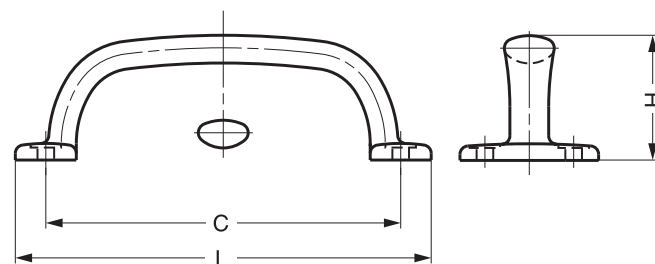
Item No.	L	C	H	
5	3LC-120	120 (4-23/32")	105 (4-9/64")	30 (1-3/16")
6	3LC-130	130 (5-1/8")	115 (4-17/32")	33 (1-19/64")
7	3LC-145	145 (5-23/32")	125 (4-59/64")	34 (1-11/32")

**STAINLESS 316 STEEL**



Finish: Mirror (M)

**4LC**

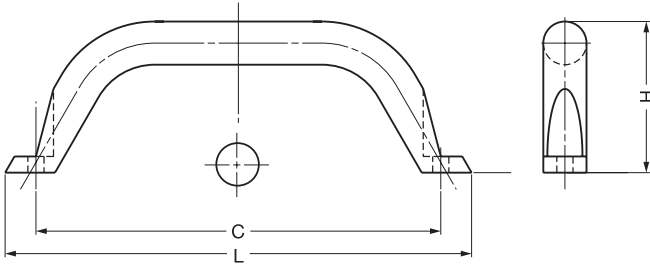


Item No.	L	C	H	
8	4LC- 82	82 (3-7/32")	64 (2-33/64")	36.5 (1-7/16")
9	4LC-114	114 (4-1/2")	96 (3-25/32")	40 (1-37/64")
10	4LC-150	150 (5-29/32")	128 (5-1/32")	45 (1-49/64")
11	4LC-180	180 (7-3/32")	160 (6-19/64")	48 (1-57/64")



**MG**

Finish: Mirror (M)



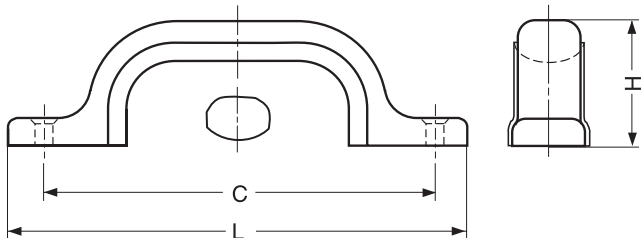
Item No.		L	C	H
1	MG-150	172.8	150 (5-29/32")	56 (2-13/64")
2	MG-190	216.7	190 (7-31/64")	63 (2-31/64")
3	MG-250	275.5	250 (9-27/32")	68 (2-43/64")
4	MG-230T	260	230 (9-1/16")	70 (2-3/4")
5	MG-300T	330	300 (11-13/16")	70 (2-3/4")

**US**

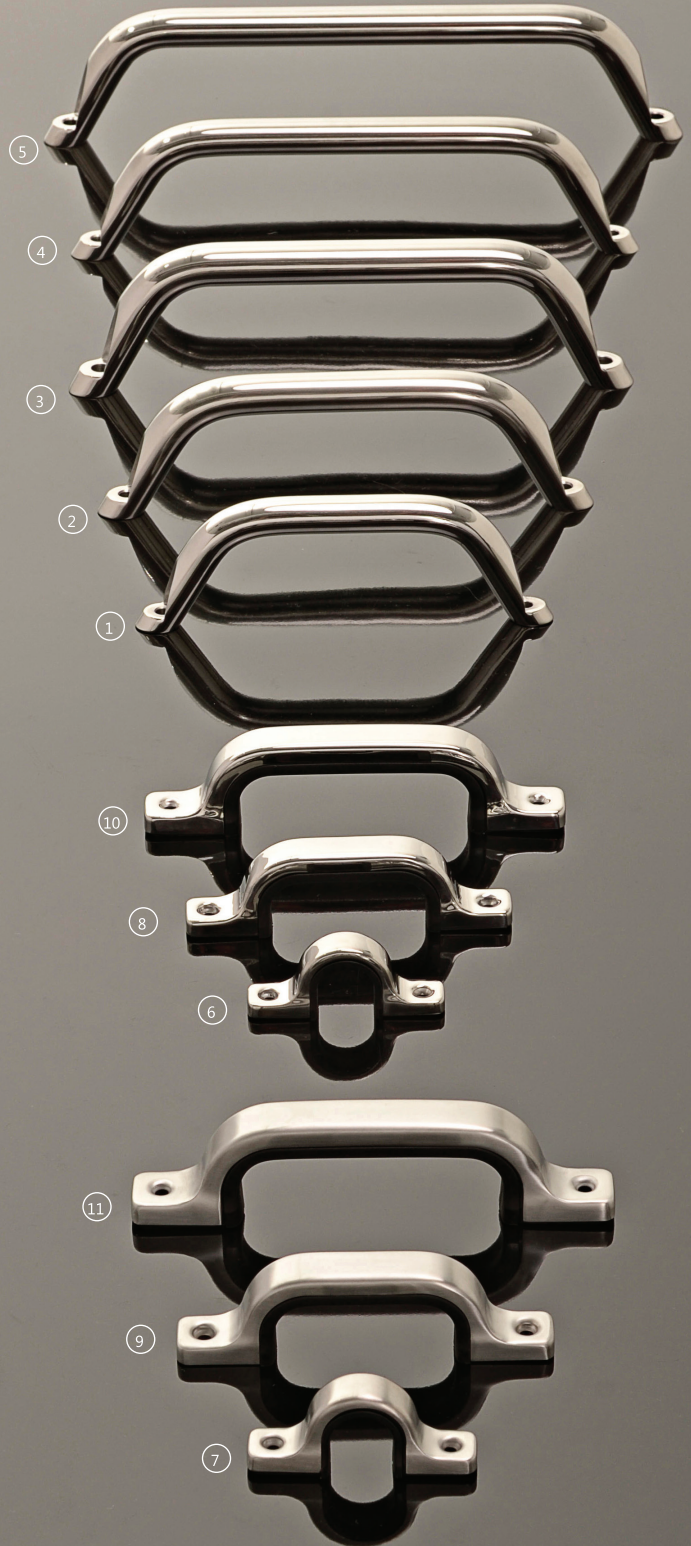
Material: Black/Synthetic Rubber (Grip)

Finish: Mirror (M)

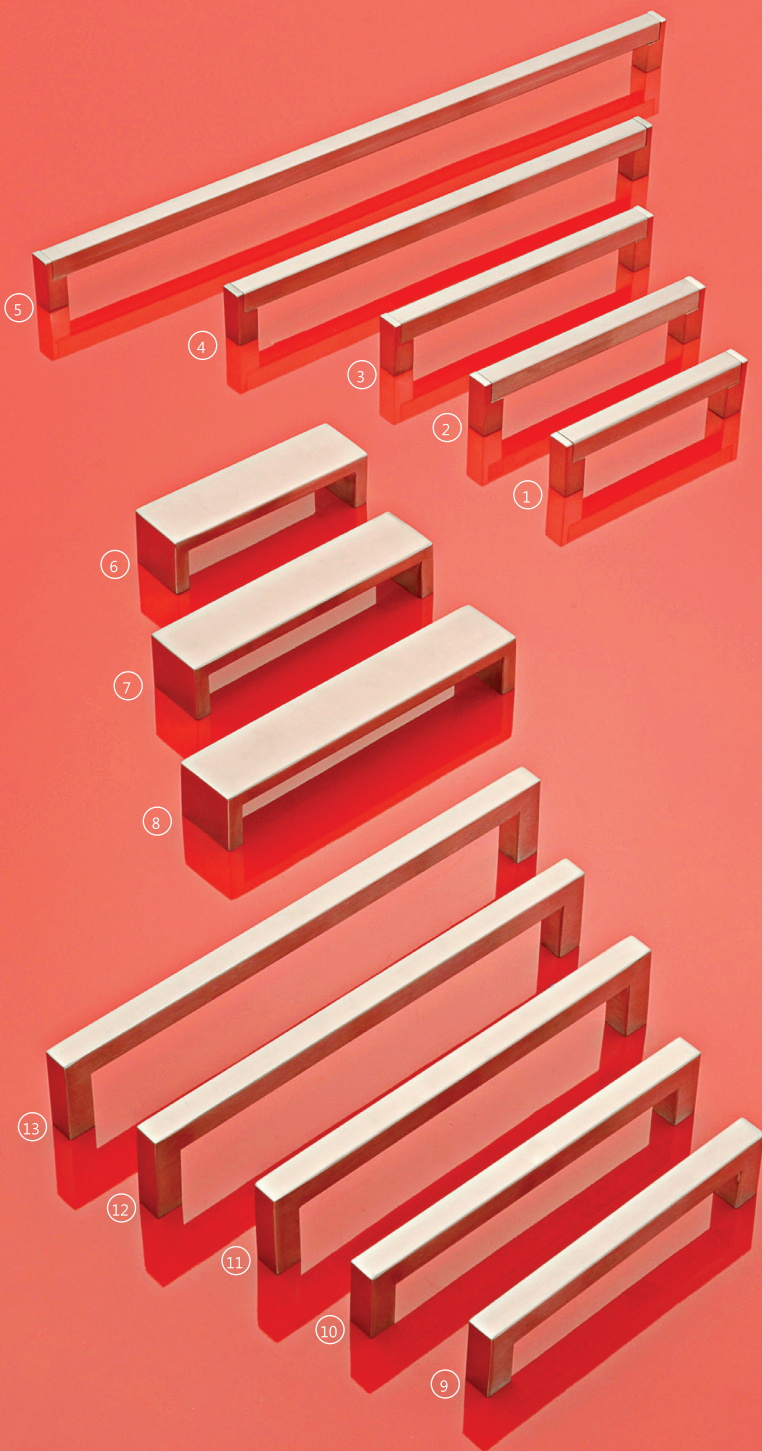
Satin (S)



Item No.		L	C	H
6	US- 70/M	70	54 (2-1/8")	28(1-7/64")
7	US- 70/S			
8	US-120/M	120	102 (4-1/64")	32(1-17/64")
9	US-120/S			
10	US-160/M	160	140 (5-33/64")	37.5(1-15/32")
11	US-160/S			

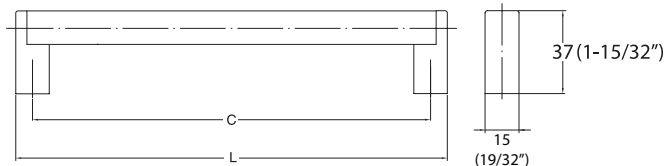






Material: 304 Stainless Steel & Zinc Alloy  
Finish: Satin (S)

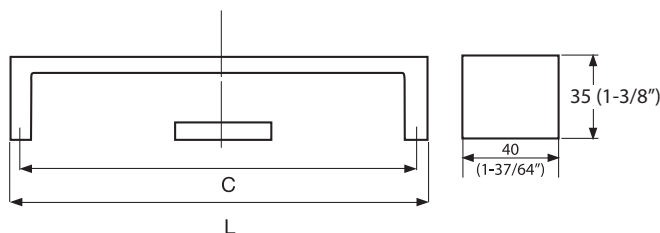
### KBE-1011



Item No.	L	C
1 KBE-1011-128	143 (5-5/8")	128 (5-1/32")
2 KBE-1011-160	175 (6-7/8")	160 (6-5/16")
3 KBE-1011-192	207 (8-1/8")	192 (7-9/16")
4 KBE-1011-320	335 (13-3/16")	320 (12-9/16")
5 KBE-1011-492	507 (20")	492 (19-3/8")

**STAINLESS 304 STEEL** **M4x25 STAINLESS** Finish: Satin (S)

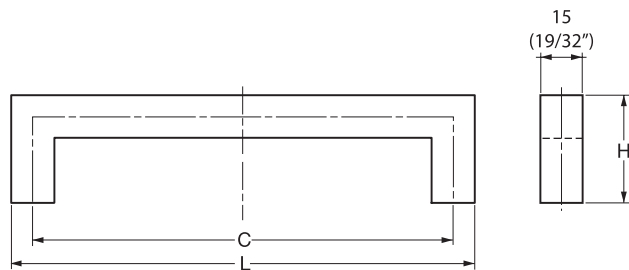
### 40 SERIES



Item No.	L	C
6 40128	138 (5-7/16")	128 (5-1/32")
7 40160	170 (6-11/16")	160 (6-5/16")
8 40192	202 (7-61/64")	192 (7-9/16")

**STAINLESS 304 STEEL** **STAINLESS** Finish: Satin (S)

### KPH

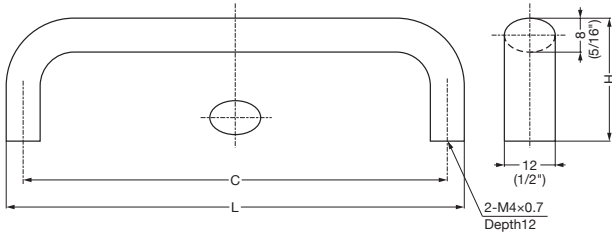


Item No.	L	C	H
9 KPH-160	176 (6-15/16")	160 (6-19/64")	40 (1-37/64")
10 KPH-192	208 (8-3/16")	192 (7-9/16")	40 (1-37/64")
11 KPH-224	240 (9-7/16")	224 (8-13/16")	50 (1-31/32")
12 KPH-256	272 (10-11/16")	256 (10-5/64")	50 (1-31/32")
13 KPH-288	304 (12")	288 (11-11/32")	50 (1-31/32")



# KK-H

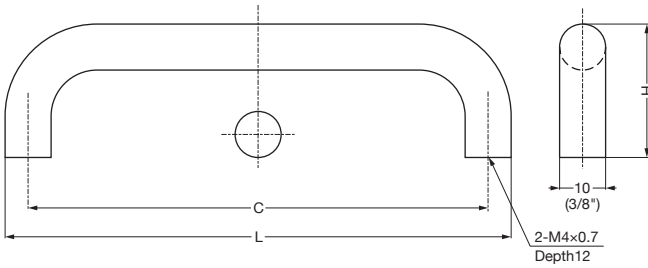
Finish: Nickel (NI)  
Satin Gold (SG)  
Brown (BR)



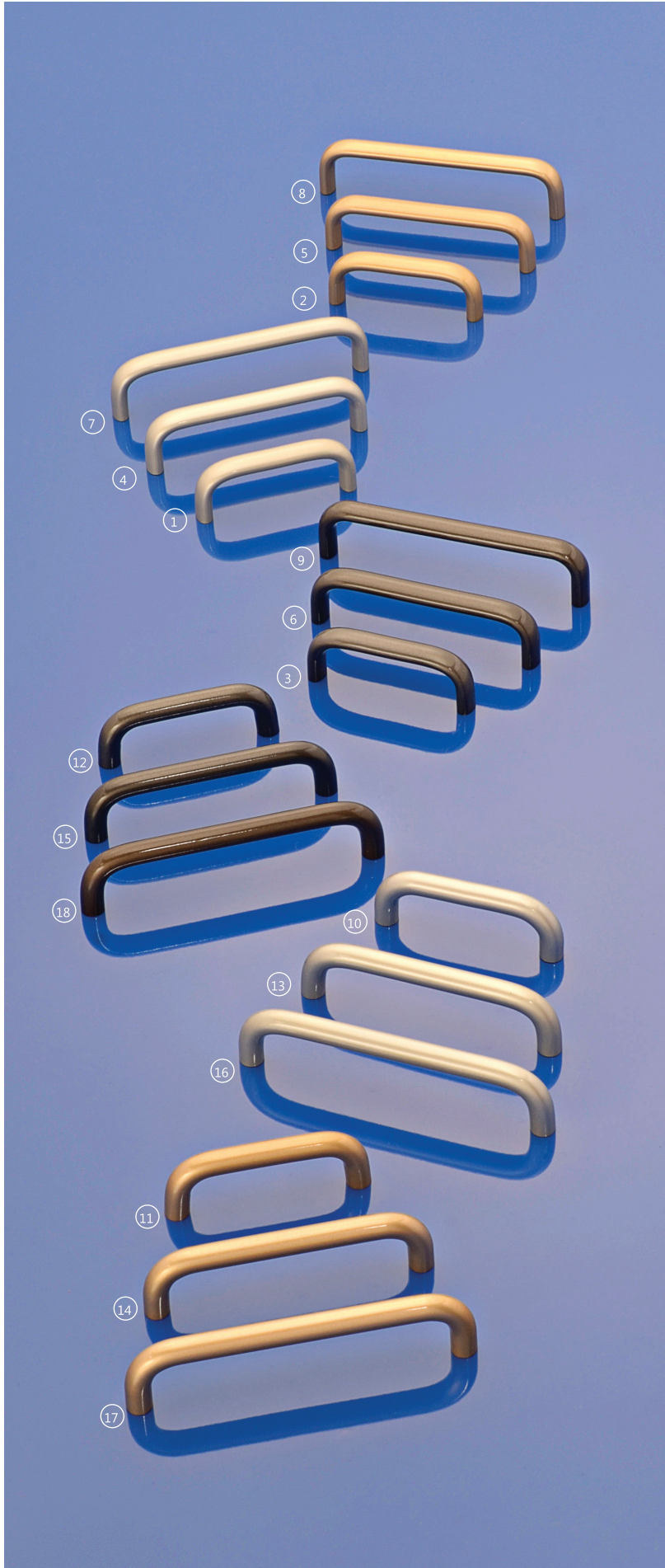
Item No.	L	C	H
1 KK-H 80SNI	78 (3-1/16")	70 (2-3/4")	28 (1-3/32")
2 KK-H 80SSG			
3 KK-H 80SBR			
4 KK-H110SNI	108 (4-1/4")	100 (3-15/16")	29 (1-9/64")
5 KK-H110SSG			
6 KK-H110SBR			
7 KK-H130SNI	128 (5-1/32")	120 (4-23/32")	30 (1-3/16")
8 KK-H130SSG			
9 KK-H130SBR			

# KK-M

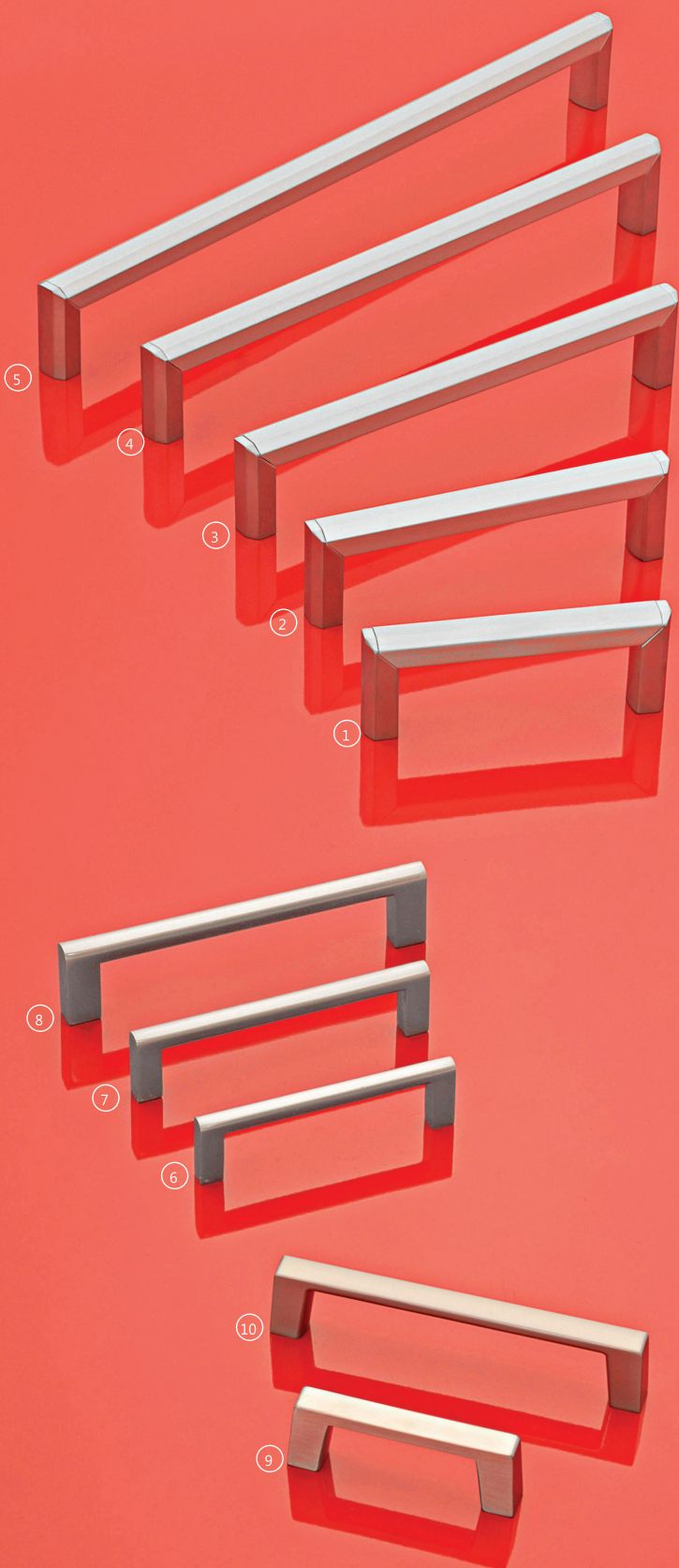
Finish: Nickel (NI)  
Satin Gold (SG)  
Brown (BR)



Item No.	L	C	H
10 KK-M 80SNI	80 (3-1/8")	70 (2-3/4")	28 (1-3/32")
11 KK-M 80SSG			
12 KK-M 80SBR			
13 KK-M110SNI	110 (4-5/16")	100 (3-15/16")	29 (1-9/64")
14 KK-M110SSG			
15 KK-M110SBR			
16 KK-M130SNI	130 (5-1/8")	120 (4-23/32")	30 (1-3/16")
17 KK-M130SSG			
18 KK-M130SBR			

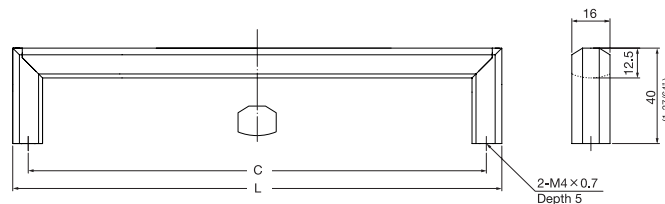






Material: Aluminum Alloy / Zinc Alloy  
Finish: Anodized & Matte Silver

### XLA-HA

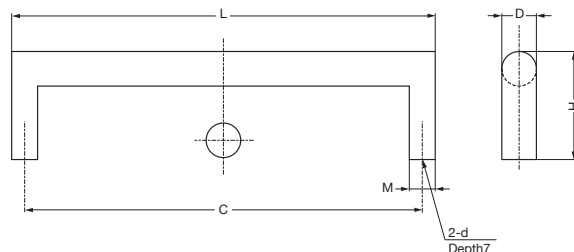


	Item No.	L	C
1	XLA-HA 96	109 (4-19/64")	96 (3-25/32")
2	XLA-HA128	141 (5-9/16")	128 (5-1/32")
3	XLA-HA192	205 (8-1/16")	192 (7-9/16")
4	XLA-HA256	269 (10-19/32")	256 (10-5/64")
5	XLA-HA320	333 (13-1/8")	320 (2-19/32")



Finish: Dull Chrome

### KAKU-A

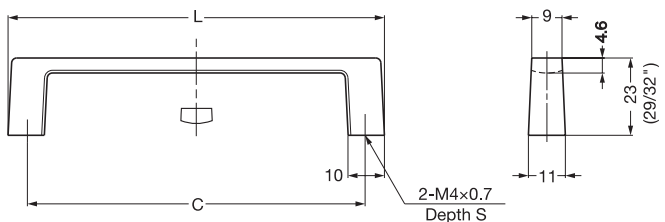


	Item No.	L	C	H	D
6	KAKU-A161	84 (3-5/16")	78 (3-1/16")	24	7
7	KAKU-A160	99 (3-29/32")	92 (3-5/8")	25	8
8	KAKU-A159	124 (4-7/8")	113 (4-7/16")	29	9



Material: Zinc Alloy  
Finish: Satin Chrome(SCR)  
Dull Chrome (DC)

### 936 SERIES

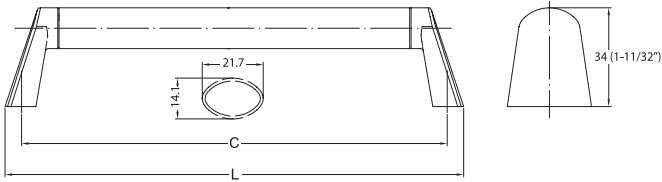


	Item No.	L	C
9	936- 55-SCR	66.5 (2-5/8")	55 (2-11/64")
10	936-100-DC	112 (4 13/32")	100.5 (3-61/64")



### KBE-1005

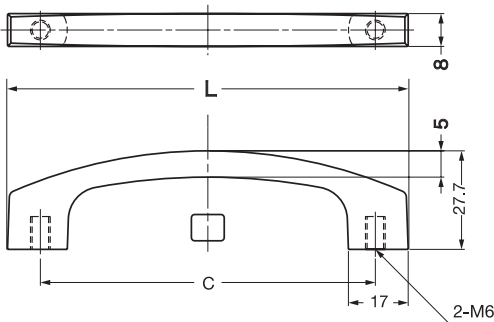
Material: 304 Stainless Steel & Zinc Alloy  
Finish: Satin



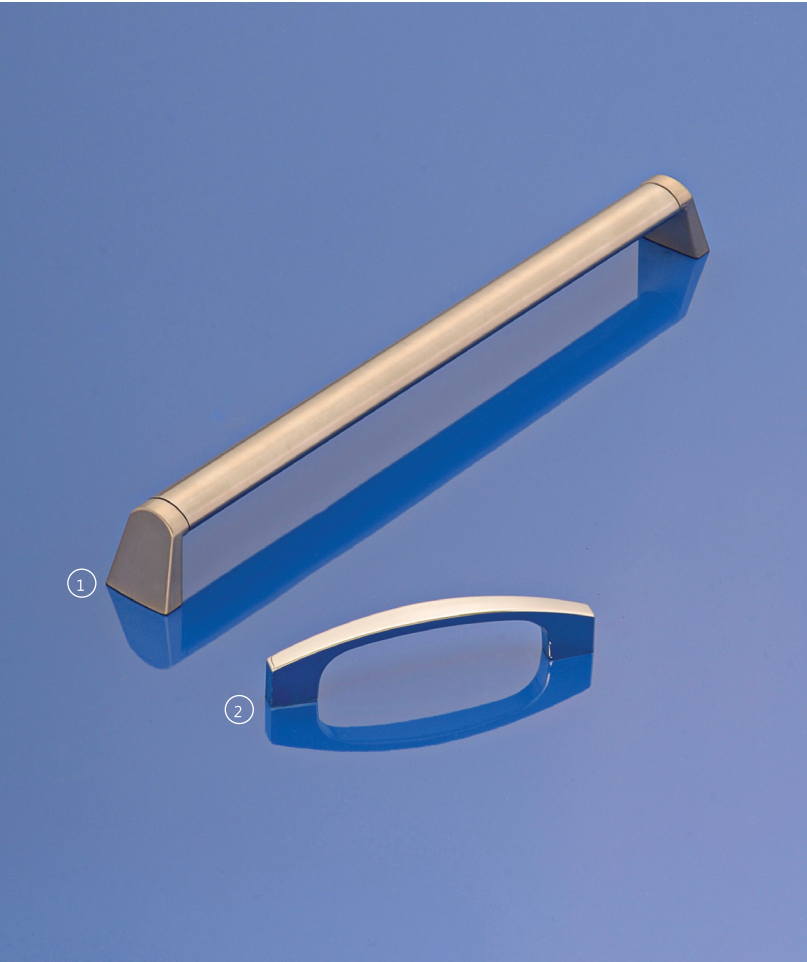
Item No.	L	C
1 KBE-1005-320	334 (13-1/8")	320 (12-19/32")

### SAZ

Material: Zinc Alloy  
Finish: Chrome



Item No.	L	C
2 SAZ-121	121 (4-3/4")	102 (4-1/64")



**EC-Y**

Finish: Mirror (M)

Item No.	L	C	H
1 EC-Y-140	138 (5-7/16")	120 (4-23/32")	38 (1-1/2")
2 EC-Y-160	158 (6-7/32")	140 (5-33/64")	40 (1-37/64")
3 EC-Y-190	188 (7-13/32")	170 (6-11/16")	42 (1-42/64")

**EC-H**

Finish: Mirror (M)

Item No.	L	C	H
4 EC-H-135	135 (5-5/16")	115 (4-17/32")	40 (1-37/64")
5 EC-H-165	165 (6-1/2")	145 (5-45/64")	42 (1-21/32")



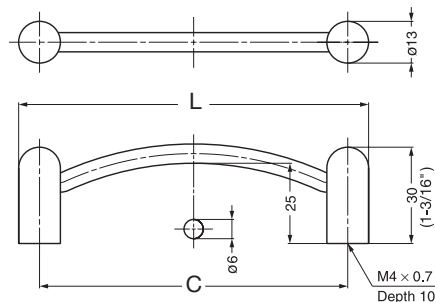


BRASS

M4 X 25  
STEEL

Finish: Satin Nickel

LX



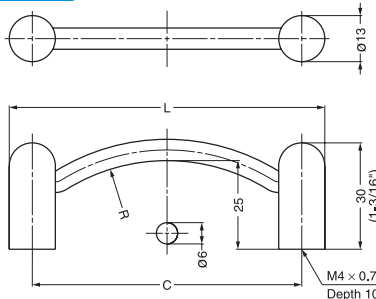
Item No.	L	C
1 LX-110/SN	109 (4-19/64")	96 (3-25/32")

STAINLESS 304  
STEEL

M4x25  
STAINLESS

LX-90/M, LX-110/M

Finish: Mirror (M)



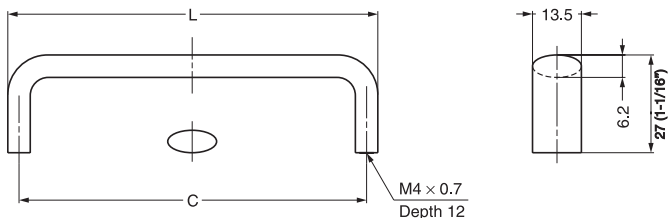
Item No	L	C	R
2 LX- 90/M	89	76 (3")	53.5
3 LX-110/M	109	96 (3-25/32")	94

**DLB**

Finish: Polished Brass (PB)/Chrome (CR)

M4 X 28  
STEEL

BRASS



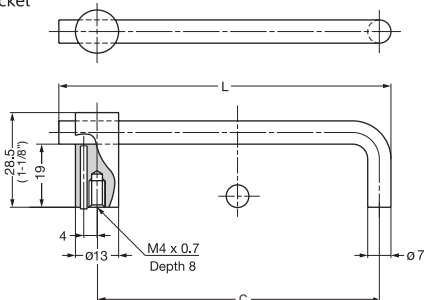
Item No.	L	C
1 DLB-96/CR	102.2 (4")	96 (3-25/32")
2 DLB-96/PB		

**FK-100-WW**

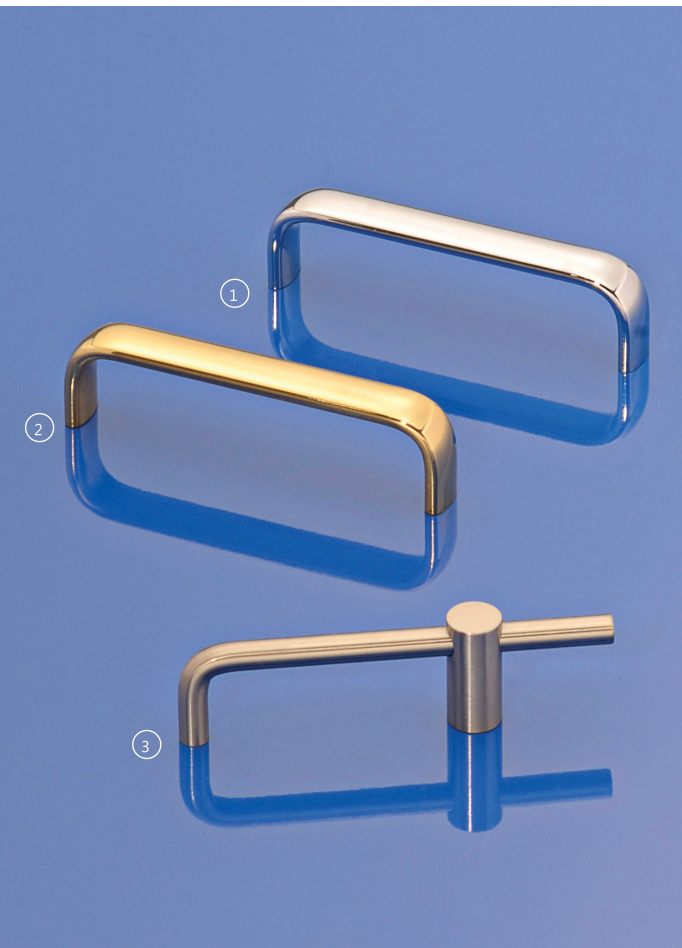
Finish: Satin Nickel

M4 X 28  
STEEL

BRASS



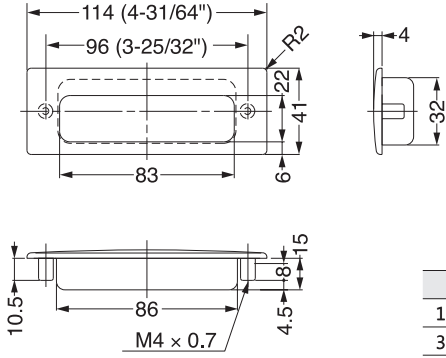
Item No.	L	C
3 FK-100-WW	100 (3-15/16")	Adjustable





### HH-KS

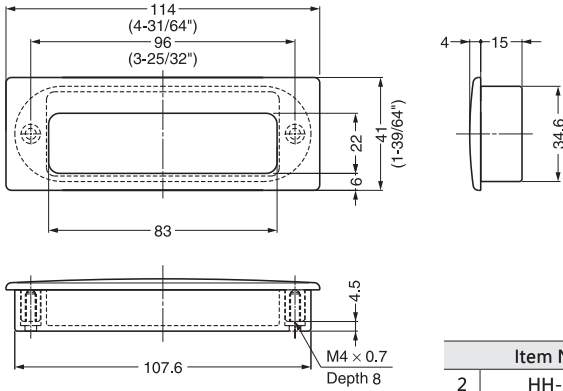
Finish: Mirror (M)  
Satin (S)



Item No.	
1	HH-KS 114M
3	HH-KS 114S

### HH-K

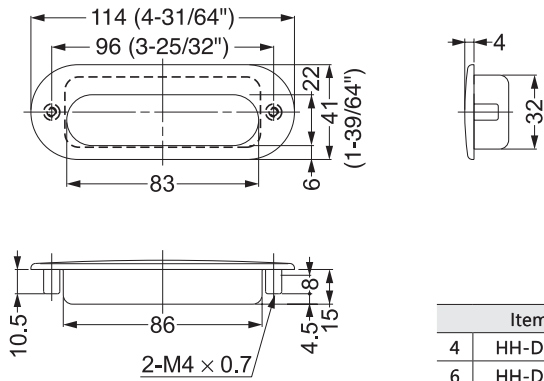
Finish: Mirror (M)  
Black



Item No.	
2	HH-K

### HH-DS

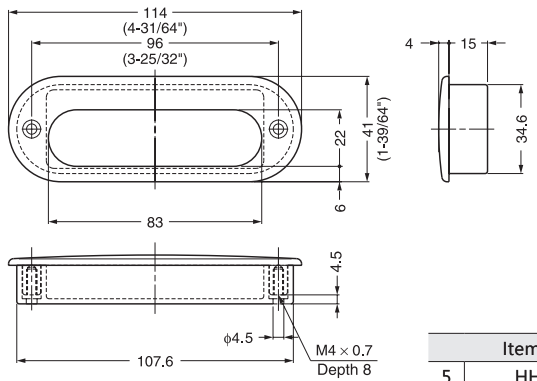
Finish: Mirror (M)  
Satin (S)



Item No.	
4	HH-DS 114M
6	HH-DS 114S

### HH-D

Finish: Mirror (M)  
Black



Item No.	
5	HH-D

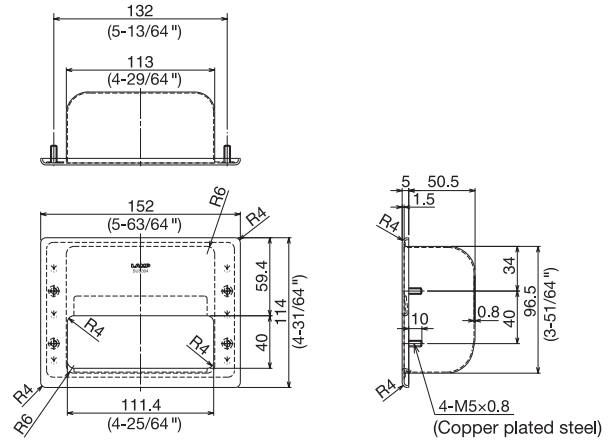






STAINLESS 304 STEEL M5 NUT Finish: Satin (S)

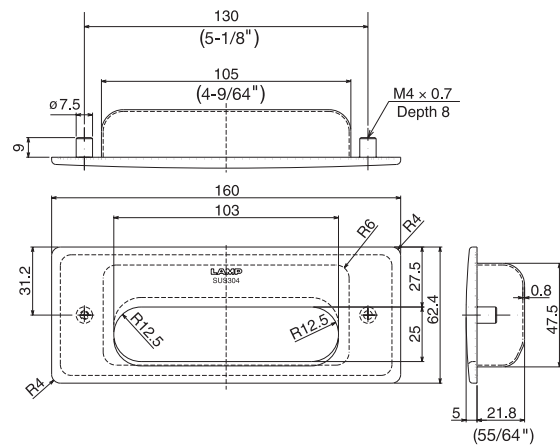
### HH-KP150



Item No.	
1	HH-KP150

STAINLESS 304 STEEL M4x8 STAINLESS Finish: Satin (S)

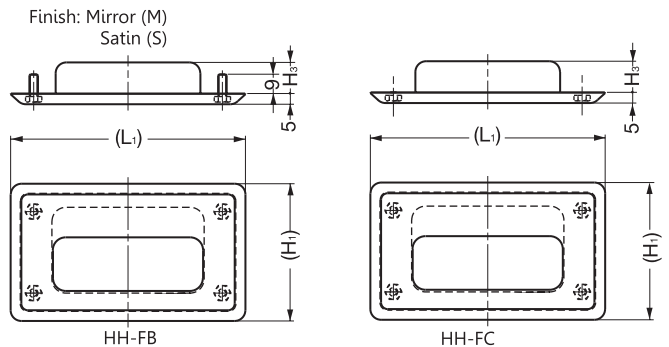
### HH-KL160



Item No.	
2	HH-KL160

STAINLESS 304 STEEL M4 NUT M4 STAINLESS

### HH-FB, HH-FC

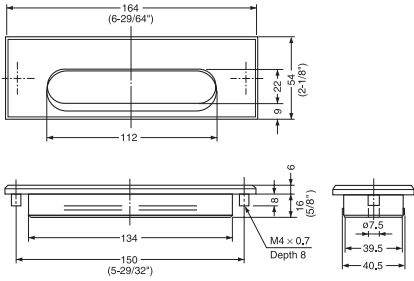


Item No.				(L <sub>1</sub> )	(H <sub>1</sub> )	H <sub>3</sub>
6	HH-FB-1/M	3	HH-FB-1/S	138	88	21
	HH-FC-1/M		HH-FC-1/S			
7	HH-FB-2/M	4	HH-FB-2/S	109.5	64	14.5
	HH-FC-2/M		HH-FC-2/S			
8	HH-FB-3/M	5	HH-FB-3/S	94	60	12
	HH-FC-3/M		HH-FC-3/S			



### SD-160

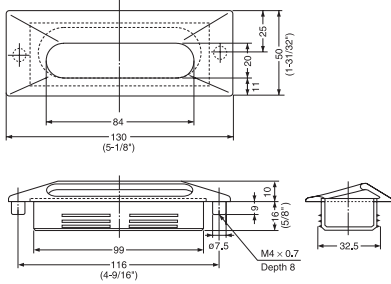
Material: Zinc Alloy  
Finish: Chrome (CR)  
Satin Nickel (SN)



Item No.	
1	SD-160/CR
2	SD-160/SN

### UTZ-130

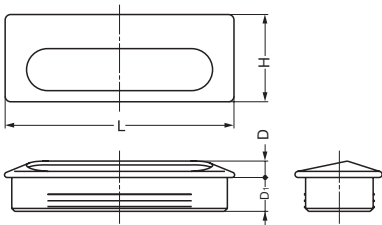
Material: Zinc Alloy  
Finish: Chrome (CR)  
Satin Nickel (SN)  
Satin bronze (SB)



Item No.	
3	UTZ-130/CR
4	UTZ-130/SN
5	UTZ-130/SB

### UT

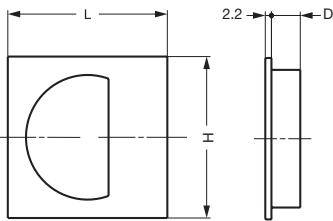
Finish: Polished Brass (PB)  
Satin (S)



Item No.	L	H	D	D1
6	UT- 75/S	75 ( 2-61/64" )	36	7
7	UT-105/S	105 (4-1/8" )	40	7.5
8	UT-140/S	140 ( 5-33/64" )	47	7.5
9	UT-105/PB	105 (4-1/8" )	40	7.5

### SP

Finish: Polished Brass (PB)  
Satin (S)



Item No.	L	H	D
10	SP-35/S	44 (1-47/64")	44 (1-47/64")
11	SP-38/S	47 (1-27/32")	47 (1-27/32")
12	SP-48/S	57 (2-1/4")	57 (2-1/4")
13	SP-35/PB	44 (1-47/64")	44 (1-47/64")

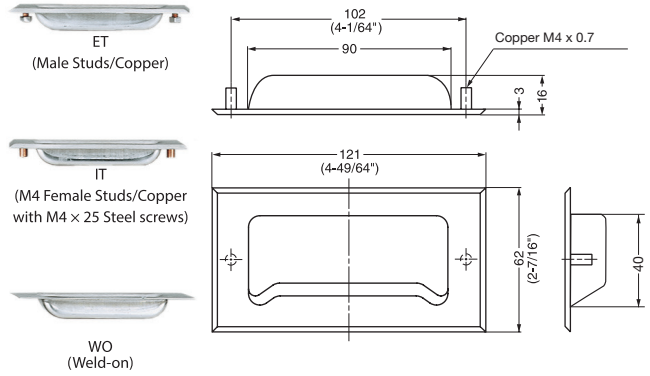






Finish: Satin (S)

### ES-611

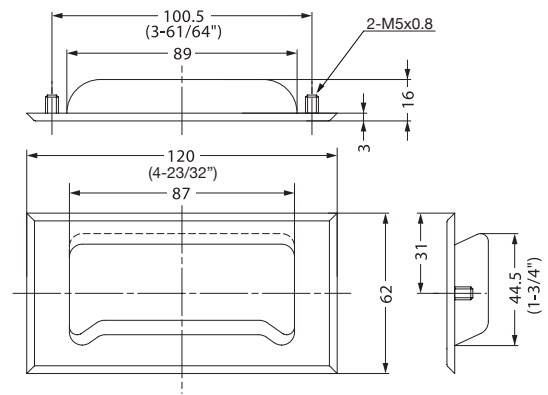


Item No.	
1	ES-611/ET
	ES-611/IT
	ES-611/WO



Finish: Satin (S)

### HH-AS3

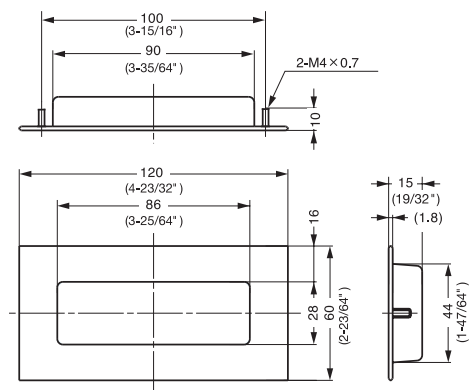


Item No.	
2	HH-AS3



Finish: Satin (S)

### HH-AS2



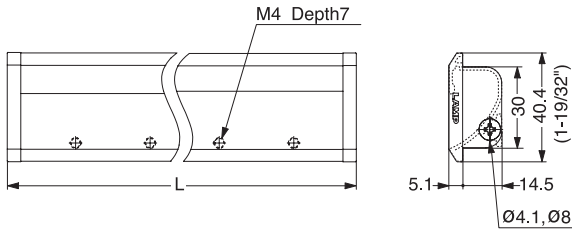
Item No.	
3	HH-AS2





### XLA-HH

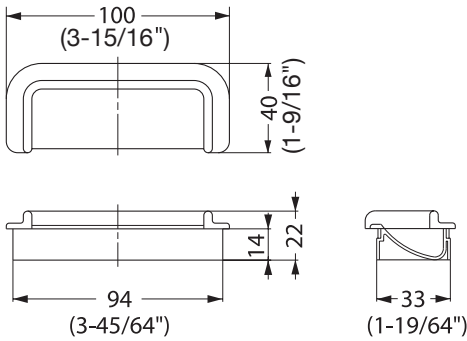
Material: Aluminum, Zinc Alloy  
Finish: Anodized, Chrome



Item No.	L
1 XLA-HH300	300 ( 11-13/16" )
2 XLA-HH600	600 ( 23-5/8" )

### UP-600

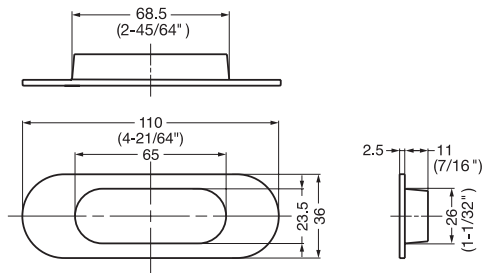
Material: ABS  
Color: Black, Chrome



Item No.
3 UP-600

### 3922 SERIES

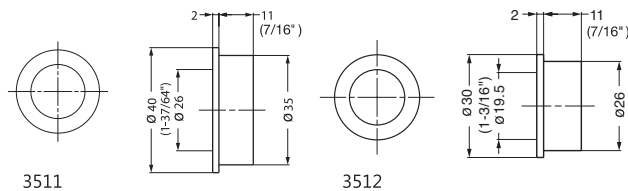
Material: Zinc Alloy  
Finish: Satin Nickel (SN)  
Chrome (CR)



Item No.	Item No.
4	3922038/SN
5	3922400/CR

### 3511, 3512 SERIES

Material: Zinc Alloy  
Finish: Chrome (CR)  
Satin Nickel (SN)



Item No.	Item No.
6	3511038/SN
7	3511400/CR
8	3512038/SN
9	3512400/CR







1



2



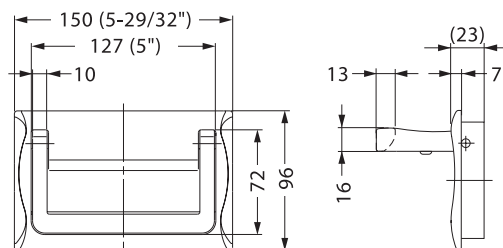
3



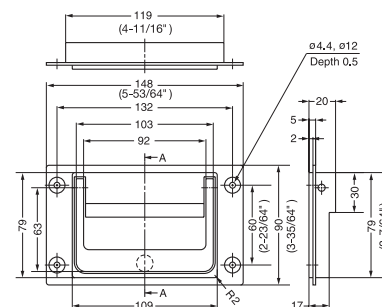
4



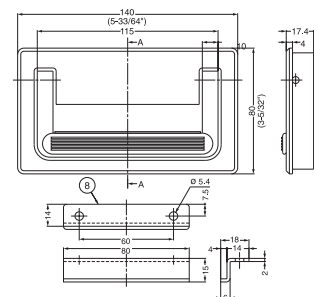
Finish: Mirror (M)

**HCT-150**

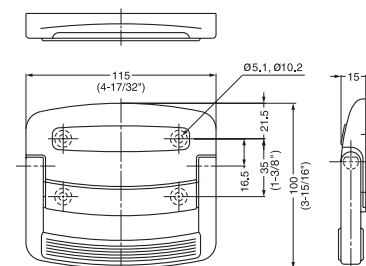
Item No.	L	H	Load Capacity (kg)	
1	HCT-150	150	96	100 (220 lbs)

Material: Zinc Alloy  
Finish: Grey**PT-148**

Item No.	L	H	Load Capacity (kg)	
2	PT-148	119	90	50 (110 lbs)

Material: Zinc Alloy, Rubber  
Finish: Chrome (Body/Handle),  
Black (Grip)**MUD-140**

Item No.	L	H	Load Capacity (kg)	
3	MUD-140	140	80	30 (66 lbs)

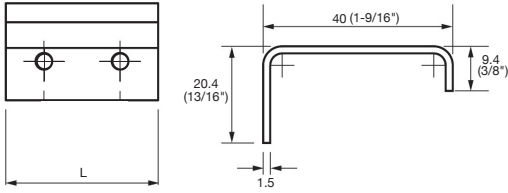
Material: Zinc Alloy, Rubber  
Finish: Chrome (Body/Handle),  
Black (Grip)**TMU-115**

Item No.	L	H	Load Capacity (kg)	
4	TMU-115	115	100	40 (80 lbs)



## DSI-350

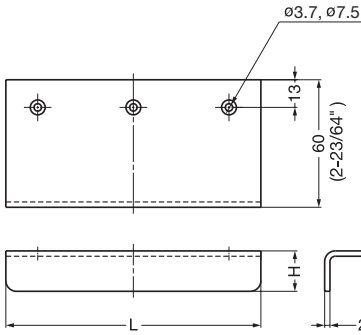
Finish: Satin



Item No.	L	
1	DSI-350-16	32 (1-1/4")
2	DSI-350-64	96 (3-25/32")
3	DSI-350-96	128 (5-1/16")
4	DSI-350-128	160 (6-5/16")
5	DSI-350-160	192 (7-9/16")
6	DSI-350-192	224 (8-13/16")
7	DSI-350-224	256 (10-1/16")
8	DSI-350-256	352 (13-7/8")
9	DSI-350-352	544 (21-7/16")

## SND

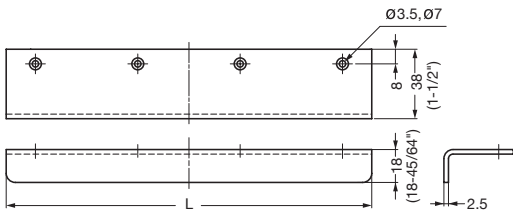
Finish: Mirror (M)



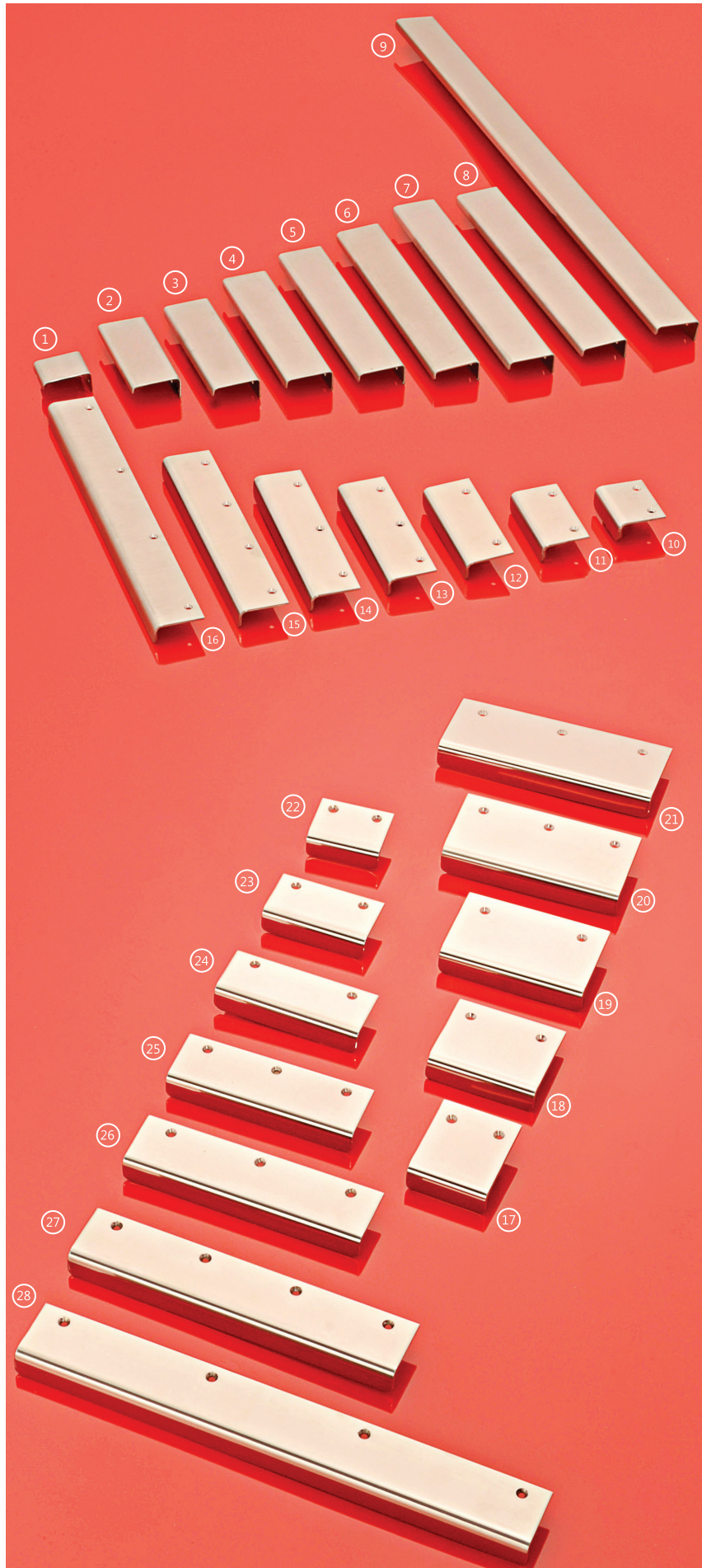
Item No.	L	H	
17	SND- 50/M	50 (1-31/32")	17 ( 43/64" )
18	SND- 70/M	70 (2-3/4")	17 ( 43/64" )
19	SND- 95/M	95 (3-47/64")	18 ( 45/64" )
20	SND-120/M	120 (4-23/32")	19 ( 3/4" )
21	SND-150/M	150 (5-29/32")	19 ( 3/4" )

## SN

Finish: Mirror (M)  
Satin (S)

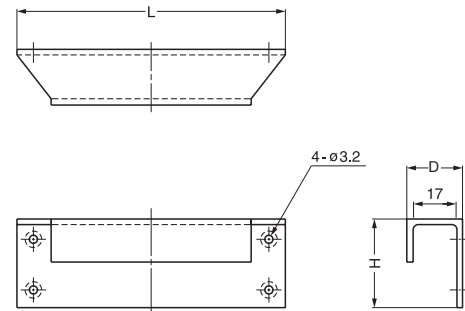


Item No.	L			
22	SN- 50/M	10	SN- 50/S	50 ( 1-31/32" )
23	SN- 70/M	11	SN- 70/S	70 ( 2-3/4" )
24	SN- 95/M	12	SN- 95/S	95 ( 3-47/64" )
25	SN-120/M	13	SN-120/S	120 ( 4-23/32" )
26	SN-150/M	14	SN-150/S	150 ( 5-29/32" )
27	SN-200/M	15	SN-200/S	200 ( 7-7/8" )
28	SN-300/M	16	SN-300/S	300 (11-13/16")



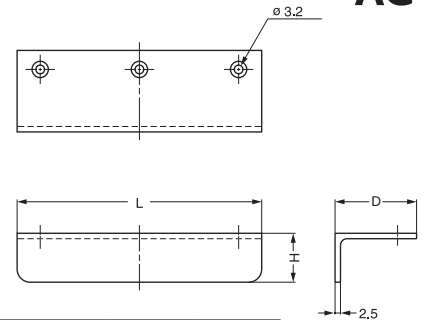


**BRASS** **STEEL** 3.1x16 Finish: Satin Nickel **CN**



Item No	L	H	D
1	106 (4-3/16")	36	22
2	137 ( 5-3/8")	36	22

**BRASS** **STEEL** 3.1x16 Finish: Satin Nickel **AG**

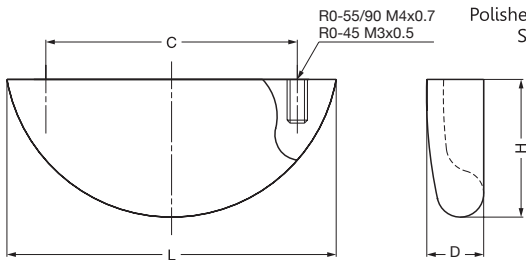


Item No	L	H	D
3	46 ( 1-13/16")	18	30
4	90 ( 3-9/16")		30



**RD**

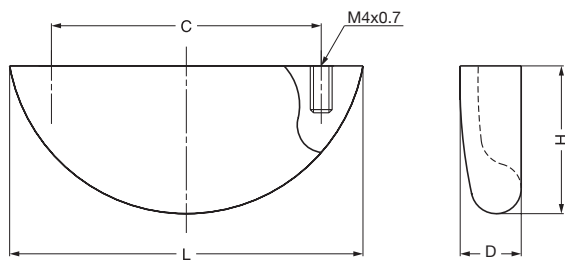
Material: Zinc Alloy  
 Finish: Smoke (SMK)  
 Satin Nickel (SN)  
 Polished Chrome (CR)  
 Satin Brass (SB)



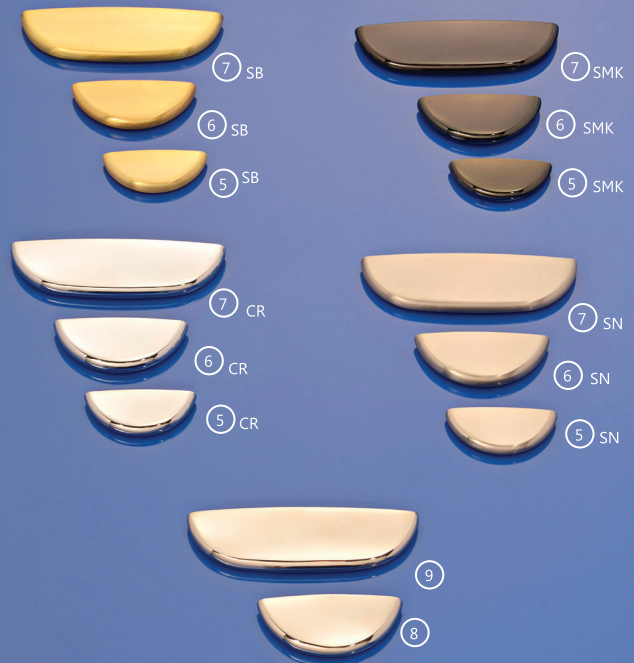
Item No.	L	H	D	C	
5	RD-45	45 ( 1-25/32")	19 ( 3/4" )	8	32 ( 1-17/64")
6	RD-55	55 ( 2-5/32")	23 ( 29/32")	9.5	42 ( 1-21/32")
7	RD-90	90 ( 3-35/64")	25.5 ( 1-1/64")	10.5	74 ( 2-29/32")

**RD**

Finish: Mirror (M) **STAINLESS 316 STEEL** M4x25



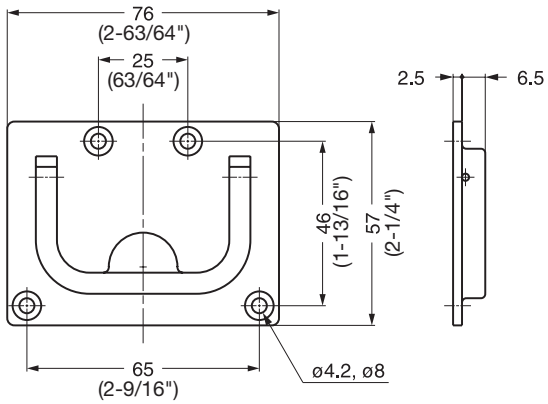
Item No.	L	H	D	C	
8	RD-55/SM	55 ( 2-11/64")	23 ( 29/32")	9.5	42 ( 1-21/32")
9	RD-90/SM	90 ( 3-35/64")	25.5 ( 1-1/64")	10.5	74 ( 2-29/32")





## 26700

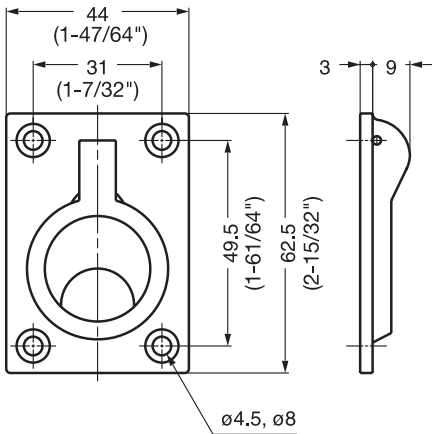
Finish: Polished



	Item No.	L	H
1	26700	76 (2-63/64")	57 (2-1/4")

## 26901

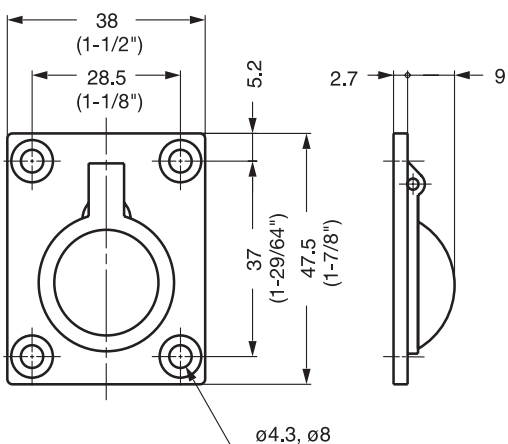
Finish: Polished



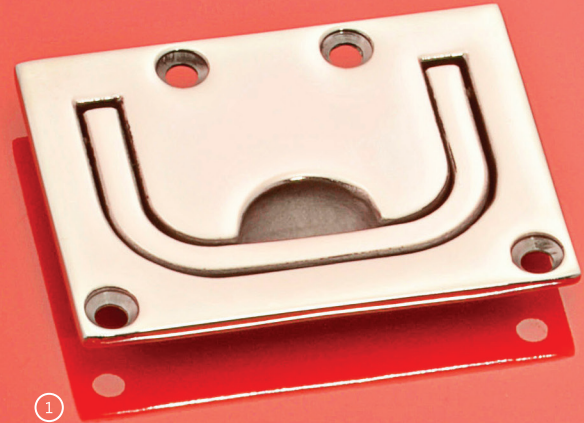
	Item No.	L	H
2	26901	44 (1-47/64")	62.5 (2-15/32")

## 26900

Finish: Polished



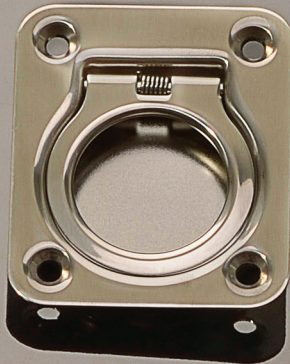
	Item No.	L	H
3	26900	38 (1-1/2")	47.5 (1-7/8")



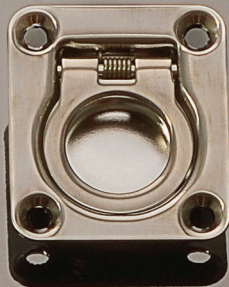




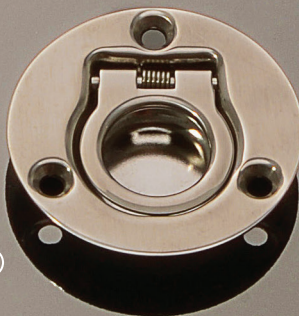
1



2



3

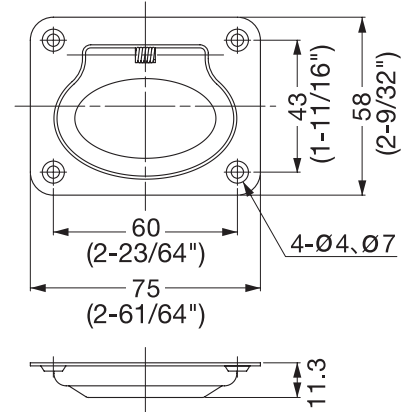


4



Finish: Polished

**980643**

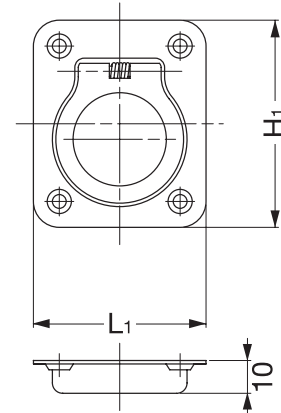


Item No.	
1	980643



Finish: Polished

**980641, 980642**

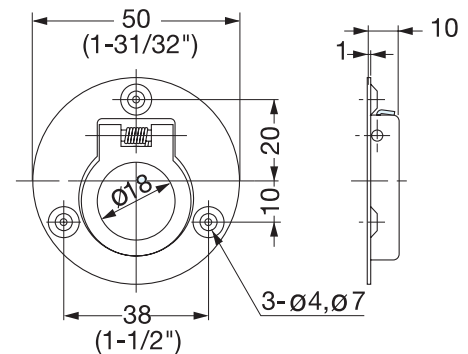


Item No.	L <sub>1</sub>	H <sub>1</sub>
2	38 (1-1/2")	44 (1-23/32")
3	50 (1-31/32")	60 (2-23/64")



Finish: Polished

**980640**

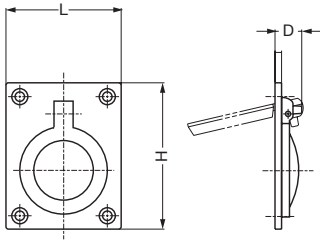


Item No.	L
4	50 (1-31/32")



### 587B

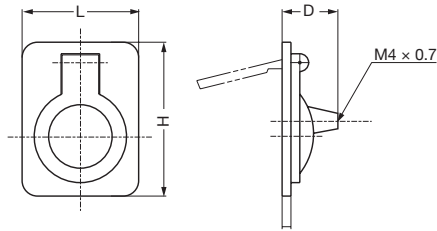
Finish: Satin Nickel (WB)  
Satin Brass (SB)



Item No.		L	H	D
7	587B-40WB 1 587B-40SB	30.5	40.3	11
8	587B-50WB 2 587B-50SB	38	51	12.7
9	587B-60WB 3 587B-60SB	47.5	60	13

### 587

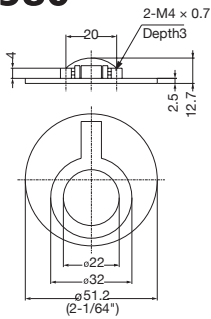
Finish: Satin Nickel (WB)  
Satin Brass (SB)



Item No.		L	H	D
10	587-40WB 4 587-40SB	30.5	40.3	13.6
11	587-50WB 5 587-50SB	38	51	14
12	587-60WB 6 587-60SB	47.5	60	15.5

### 580

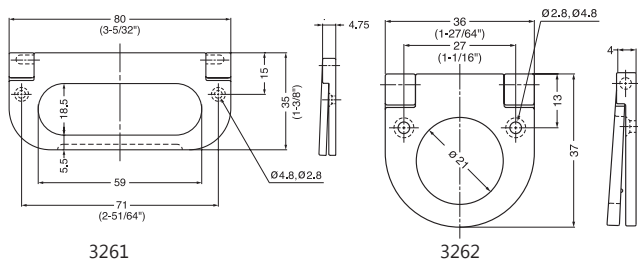
Finish: Satin Nickel (WB)  
Satin Brass (SB)



Item No.	
13	580-WB
14	580-SB

### 3261, 3262 SERIES

Material: Zinc Alloy  
Finish: Satin Nickel (SN)



Item No.		L	H
15	3261500/SN	80	35
16	3262200/SN	36	37

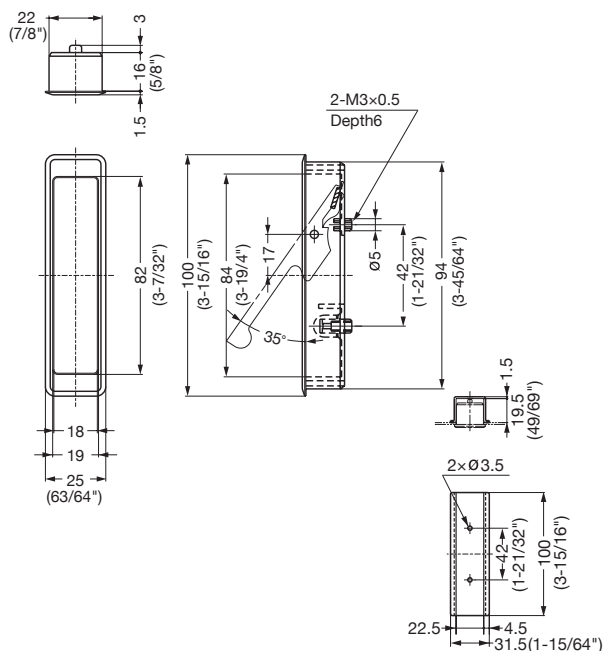






## FH-100AK, FH-100BK

Material: Zinc Alloy  
Finish: Polished Nickel, Satin Nickel



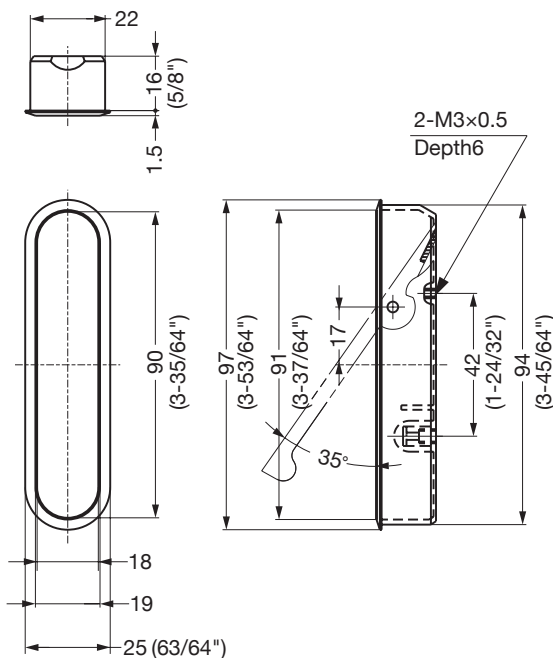
Item No.	
1	FH-100AK-00
	FH-100BK-00

- FH-100AK-00 has detent to hold lever open or closed.
- FH-100BK-00 has spring to return lever to the closed position.



## FH-100AM, FH-100BM

Material: Zinc Alloy  
Finish: Polished Nickel, Satin Nickel



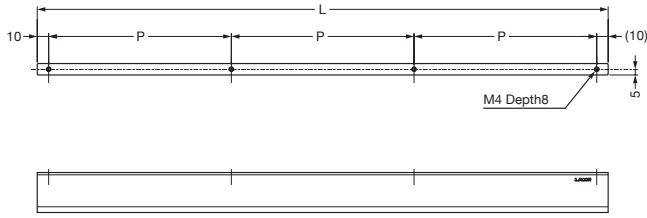
Item No.	
2	FH-100AM-00
	FH-100BM-00

- FH-100AM-00 has detent to hold lever open or closed.
- FH-100BM-00 has spring to return lever to the closed position.



# AOT35

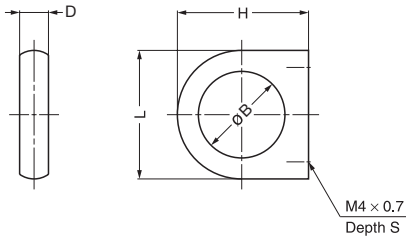
Finish: Alumite



Item No.	L	P
1 AOT35-180	180 (7-3/32")	160 (6-5/16")
2 AOT35-340	340 (13-3/8")	
3 AOT35-500	500 (19-11/16")	

# DR

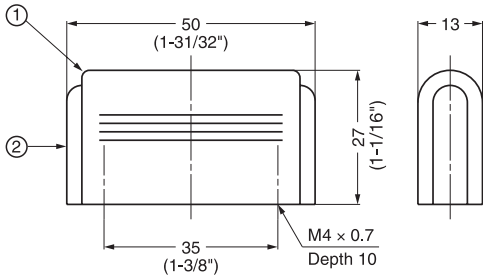
Finish: Satin (S)  
Mirror (M)



Item No.	L	H	B	D
4 DR-S/S	24.5 (31/32")	25 (63/64")	16.5	5.5
5 DR-L/S	30.5 (1-13/64")	31.5 (1-15/64")	20.5	6.5
6 DR-S/M	24.5 (31/32")	25 (63/64")	16.5	5.5
7 DR-L/M	30.5 (1-13/64")	31.5 (1-15/64")	20.5	6.5

# FS-04/S

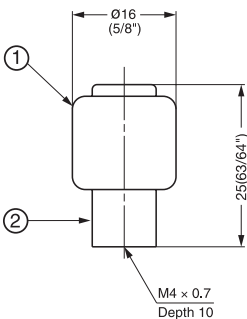
Material: ①Rubber, ②Aluminum  
Color: Black, Silver



Item No.	L	H
8 FS-04/S	50 (1-31/32")	27 (1-1/16")

# FS-06/S

Material: ①Rubber, ②Aluminum  
Color: Black, Silver



Item No.	H	D
9 FS-06/S	25 (63/64")	16 (5/8")



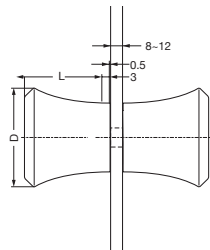




**BRASS**

### DG-BT2

Finish: Satin Chrome (SC)  
Chrome (CR)

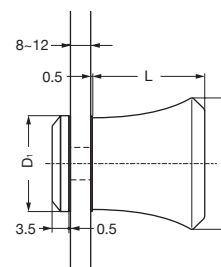


Item No.	D	L	Glass Thickness (mm)
1 DG-BT2/30-CR	32 (1-1/4")	23.5	8~12 (5/16"~1/2")
2 DG-BT2/30-SC			
3 DG-BT2/40-CR	40 (1-9/16")	34.5	
4 DG-BT2/40-SC			

**BRASS**

### DG-BT

Finish: Satin Chrome (SC)  
Chrome (CR)

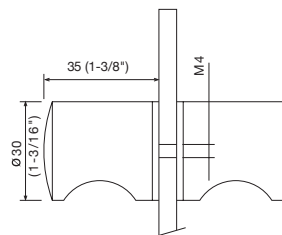


Item No.	D	D1	L	Glass Thickness (mm)
5 DG-BT30-CR	32 (1-1/4")	23.5	26.5	8~12 (5/16"~1/2")
6 DG-BT30-SC				
7 DG-BT40-CR	40 (1-9/16")	26	34.5	
8 DG-BT40-SC				

**STAINLESS 304 STEEL**

### DSI-126D

Finish: Satin (S)



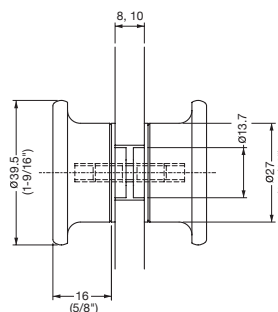
Item No.	L	D	Glass Thickness (mm)
9 DSI-126D	35	30	8~12 (5/16"~1/2")

**BRASS**

**STEEL**

### GT-40CR

Finish: Chrome (CR)

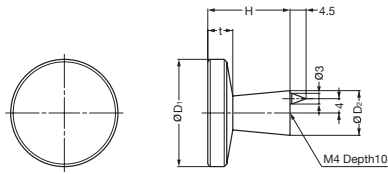


Item No.	D	H	Glass Thickness (mm)
10 GT-40CR	39.5	16	8~10 (5/16"~3/8")



**TS**

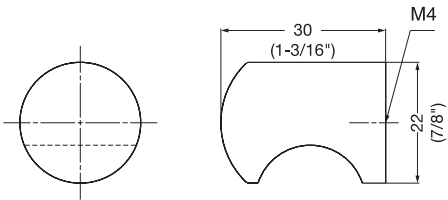
Finish: Satin Nickel



Item No.		D <sub>1</sub>	D <sub>2</sub>	H	t
1	TS-25	25	14.5	23	6.7
2	TS-30	30			
3	TS-36	36	15	24	7.5

**DJ-22**

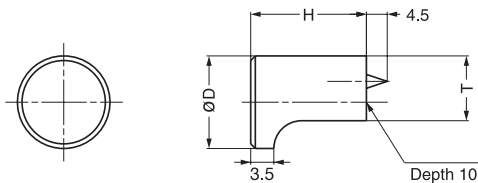
Finish: Satin Nickel (SN)  
Chrome (CR)  
Polished Brass (PB)



Item No.	L	H	
4	DJ-22	30	22

**GLA**

Finish: Satin Nickel (SN)  
Chrome (CR)



Item No.	D	H	T
5	GLA-12 (15/32")	18 (45/64")	8.5 (21/64")
6	GLA-16 (5/8")	22 (55/64")	11 (7/16")
7	GLA-20 (25/32")	25 (63/64")	14 (11/64")

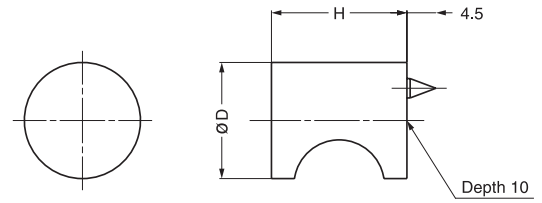






Finish: Chrome (CR)  
Polished Brass (PB)/MRB-L only  
Smoke (SMK)/MRB-L only  
Satin Nickel (SN)

**MRB**



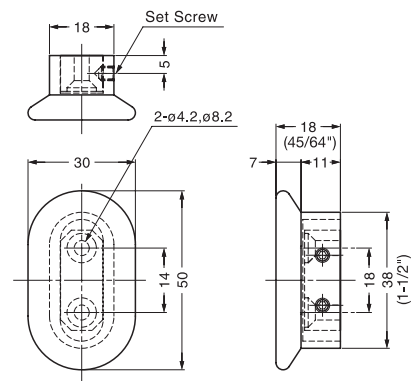
Item No.	D	H
1 MRB-S	18 (45/64")	21 (53/64")
2 MRB-L*	24 (15/16")	

\*MRB-L has stabilizing pin



Finish: Matte Chrome

**DW-50N**

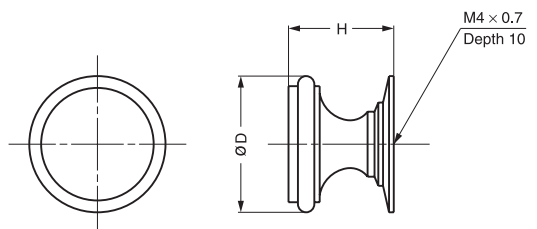


Item No.	D	H
3 DW-50N		



Finish: Polished Brass (PB)  
Satin Nickel (SN)

**SY**

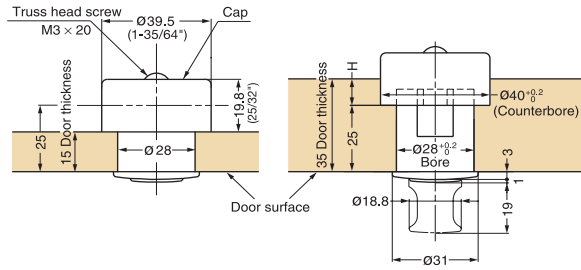


Item No.	D	H
4 SY-16	16 (5/8")	15 (19/32")
5 SY-22	22 (7/8")	17 (43/64")



# PK-03

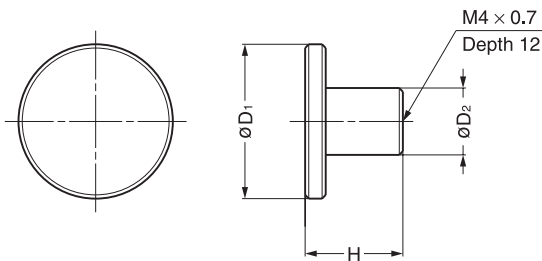
Material: Zinc Alloy, ABS  
 Finish: Black Nickel (BN)  
 Chrome (CR)



Item No.		D	H
1	PK-03/CR	31	19
2	PK-03/BN		

# A SERIES

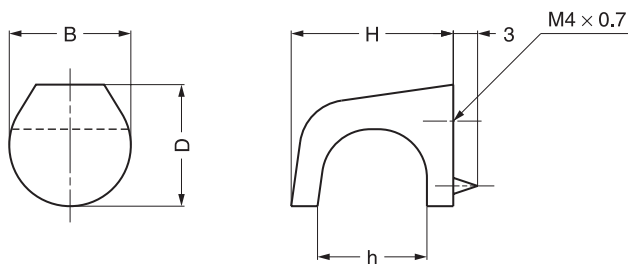
Finish: Anodized



Item No.	D <sub>1</sub>	H	D <sub>2</sub>
3	A-861 20 ( 25/32" )	18 (45/64")	10
4	A-862 25 ( 63/64" )	18.5(47/64")	11
5	A-863 30 ( 1-3/16" )	19 (3/4")	12
6	A-864 35 ( 1-3/8" )		13

# MKZ

Material: Zinc Alloy  
 Finish: Chrome (CR)  
 Polished Brass (PB)  
 Smoke (SMK)  
 Satin Brass (SB)  
 Satin Nickel (SN)



Item No.	D	B	H	h
7	MKZ-S 15	15 (19/32")	20	13.5
8	MKZ-L 21	20 (25/32")	26	17

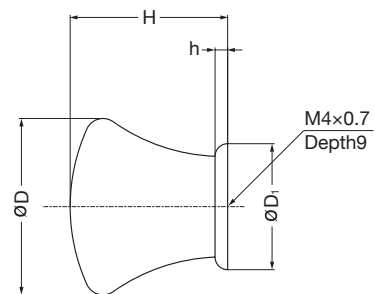






Finish: Nickel (NI)  
Satin Gold (SG)  
Brown (BR)

**KK-T**

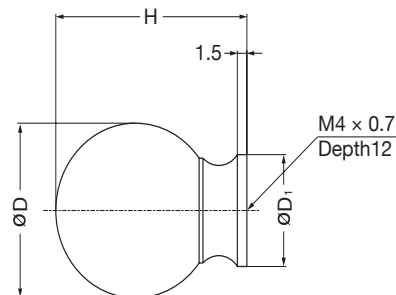


Item No.	D	D <sub>1</sub>	H	h
1 KK-T24SNI	24 (15/16")	16	23 (29/32")	1.5
2 KK-T24SSG				
3 KK-T24SBR				
4 KK-T28SNI	28 (1-3/32")	20	26 (1-1/32")	2
5 KK-T28SSG				
6 KK-T28SBR				



Finish: Nickel (NI)  
Satin Gold (SG)  
Brown (BR)

**KK-B**



Item No.	D	D <sub>1</sub>	H
7 KK-B20SNI	20 (25/32")	13	26 (1-1/32")
8 KK-B20SSG			
9 KK-B20SBR			
10 KK-B25SNI	25 (63/64")	16	30 (1-3/16")
11 KK-B25SSG			
12 KK-B25 SBR			

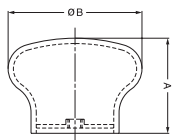








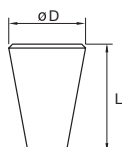
## RSS

Finish: Mirror (M)  
Satin (S)STAINLESS  
304  
STEEL

	Item No.	A	B
1	RSS-25/M	22 ( 55/64")	25 ( 63/64")
1	RSS-25/S		
2	RSS-30/M	23 ( 29/32")	30 ( 1-3/16")
2	RSS-30/S		
3	RSS-38/M	27 ( 1-1/16")	38 ( 1-1/2")
3	RSS-38/S		
4	RSS-50/M	34 ( 1-11/32")	50 ( 1-31/32")
4	RSS-50/S		

## DSI-209

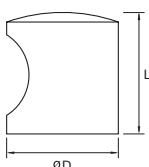
Finish: Satin (S)

STAINLESS  
304  
STEEL

	Item No.	D	L
5	DSI-209-12	12 (15/32")	20(13/16")
6	DSI-209-16	16 ( 5/8" )	26( 1" )
7	DSI-209-20	20 (25/32" )	28(1-3/32")
8	DSI-209-24	24 (15/16")	29(1-3/16")
9	DSI-209-29	29 (1-1/8")	35(1-3/8")

## EY-301

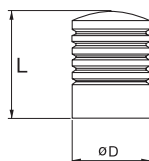
Finish: Satin (S)

STAINLESS  
304  
STEEL

	Item No.	D	L
10	EY-301/10	10 (3/8")	24 (15/16" )
11	EY-301/15	15 (9/16")	26 (1-1/32")
12	EY-301/20	20 ( 3/4" )	28( 1-1/8" )
13	EY-301/25	25 ( 1" )	30 (1-3/16")
14	EY-301/30	30( 1-3/16")	28 (1-5/16")

## EY-327

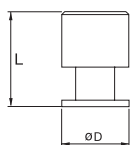
Finish: Satin (S)

STAINLESS  
304  
STEEL

	Item No.	D	L
15	EY-327/20	20 (3/4")	33(1-19/64")
16	EY-327/25	25 ( 1" )	35.5(1-25/64")

## EY-326

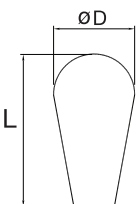
Finish: Satin (S)

STAINLESS  
304  
STEEL

	Item No.	D	L
17	EY-326/20	20 (3/4")	33(1-19/64")
18	EY-326/25	25 ( 1" )	35.5(1-25/64")

## EY-339

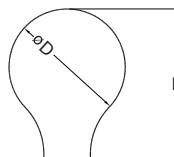
Finish: Satin (S)

STAINLESS  
304  
STEEL

	Item No.	D	L
19	EY-339/20	20 (3/4")	37.5
20	EY-339/25	25 ( 1" )	41.5

## EY-338

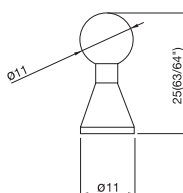
Finish: Satin (S)

STAINLESS  
304  
STEEL

	Item No.	D	L
21	EY-338/20	20 (3/4")	26
22	EY-338/25	25 ( 1" )	32

## EY-207

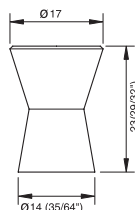
Finish: Satin (S)

STAINLESS  
304  
STEEL

	Item No.
23	EY-207

## EY-320

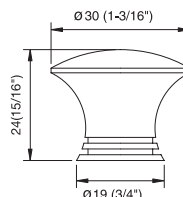
Finish: Satin (S)

STAINLESS  
304  
STEEL

	Item No.
24	EY-320

## EY-127

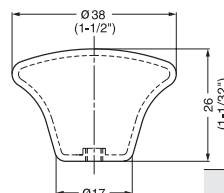
Finish: Satin (S)

STAINLESS  
304  
STEEL

	Item No.
25	EY-127/30

## RS-38

Finish: Satin (S)

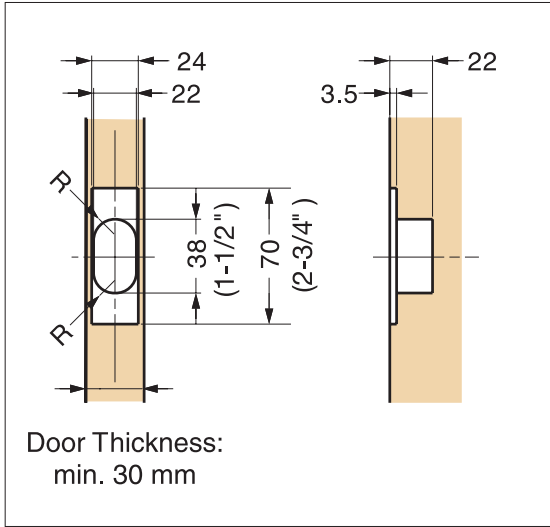
STAINLESS  
304  
STEEL

	Item No.
26	RS-38/S



**YK-70**

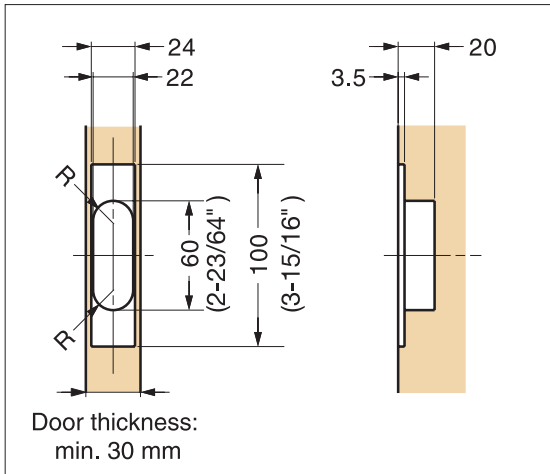
page.25



Bore Out Dimensions

**YK-W100**

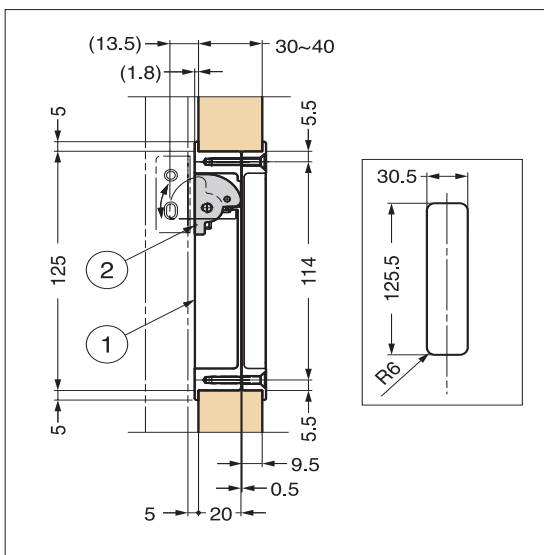
page.25



Bore Out Dimensions

**HH-P135**

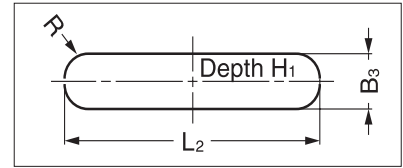
page.25



Bore Out Dimensions

**HN**

page.26

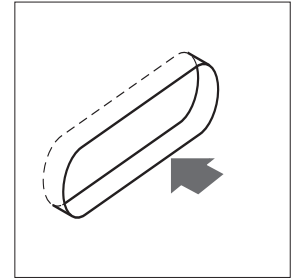


\*See p.72 in 201 Catalog for dimensions

**OP-150**

page.26

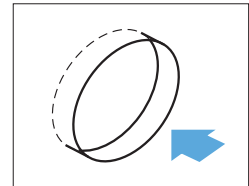
Installation



**RP**

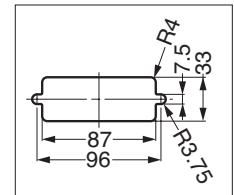
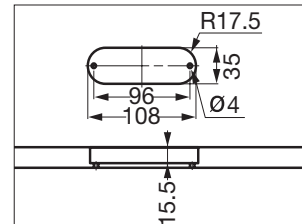
page.26

Installation



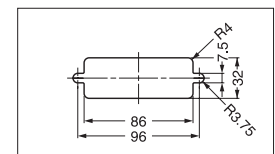
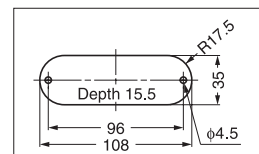
**HH-KS**

page.52



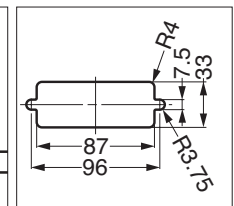
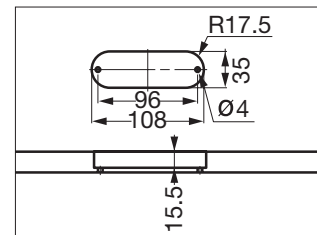
**HH-K**

page.52



**HH-DS**

page.52

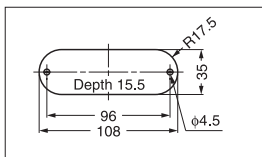


Bore Dimensions for wood panel

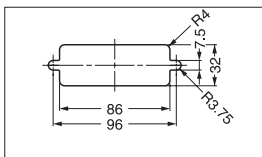
Cut Out Dimensions for sheet metal



**HH-D** page.52

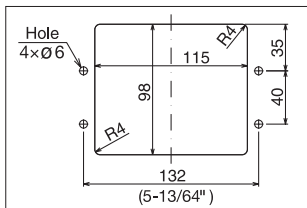


Bore Dimensions for wood panel



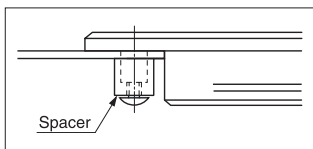
Cut Out Dimensions for sheet metal. Put sheet metal between front and back part for sheet metal applications. (Max. sheet metal thickness: 2 mm)

**HH-KP150** page.53

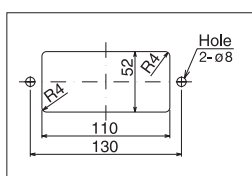


Cut Out Dimensions

**HH-KL160** page.53

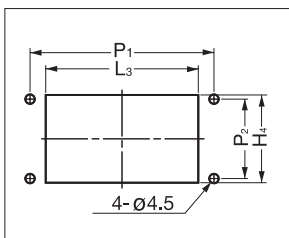


(Optional : BSP-8)  
Sheet metal mounting application



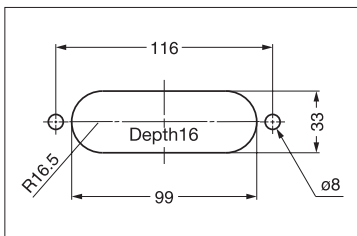
Cut Out Dimensions

**HH-FB, HH-FC** page.53

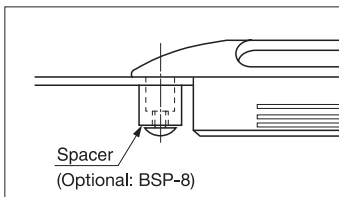


\*See p.64 in 201 Catalog for dimensions

**UTZ-130** page.54

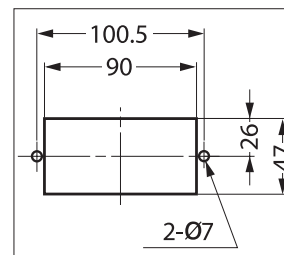


Bore Dimensions



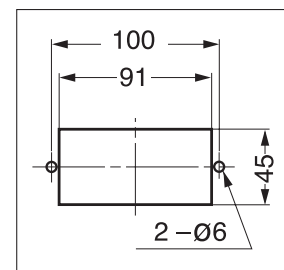
Sheet metal mounting application

**HH-AS3** page.55



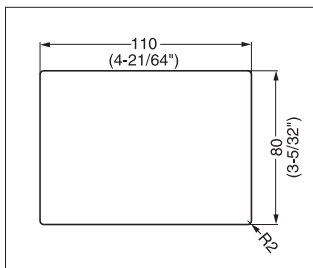
Cut Out Dimensions

**HH-AS2** page.55

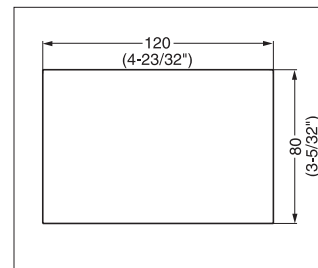


Cut Out Dimensions

**PT-148** page.57

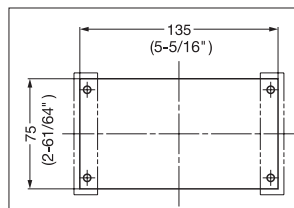


Cut Out Dimensions for back mount

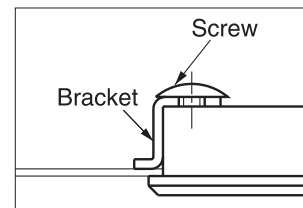


Cut Out Dimensions for surface mount

**MUD-140** page.57

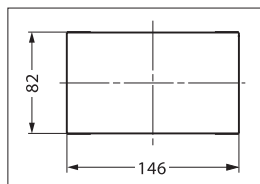


Cut Out Dimensions

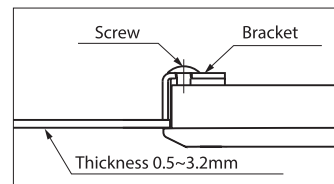


Installation

**HCT-150** page.57



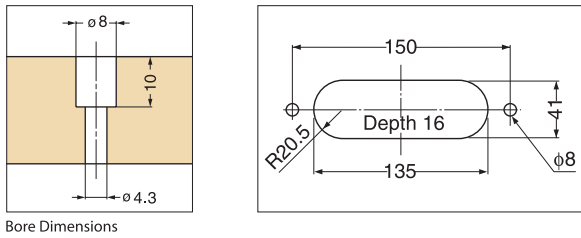
Cut Out Dimensions



Thickness 0.5~3.2mm

**SD-160**

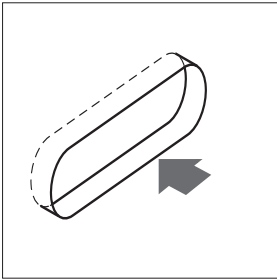
page.54



Bore Dimensions

**UT**

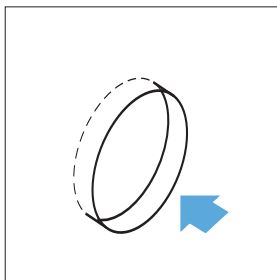
page.54



Installation

**SP**

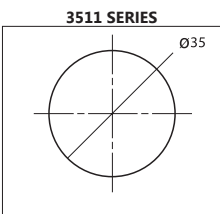
page.54



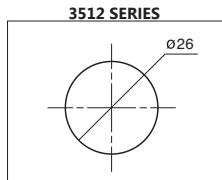
Installation

**3511, 3512 SERIES**

page.56



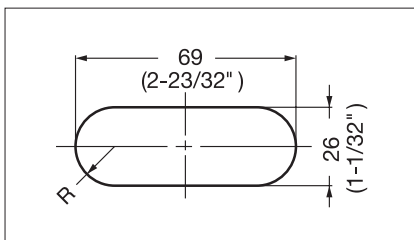
Bore Dimensions



Bore Dimensions

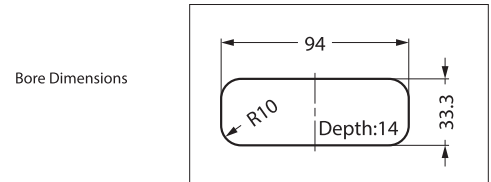
**3922 SERIES**

page.56



**UP-600**

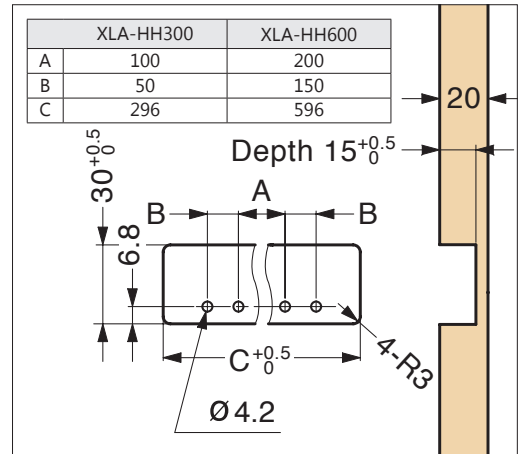
page.56



Bore Dimensions

**XLA-HH**

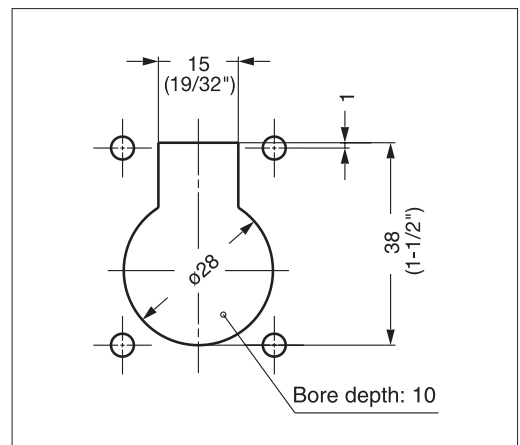
page.56



\*See 201 Catalog for dimensions

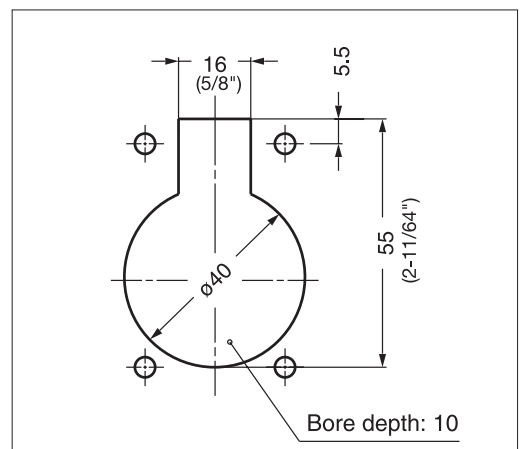
**26900**

page.60



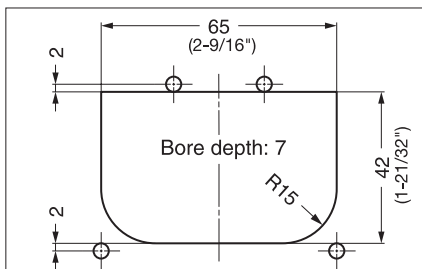
**26901**

page.60

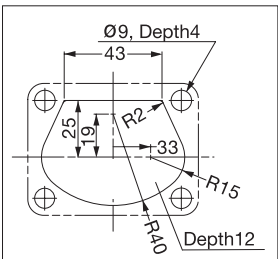




**26700** page.60

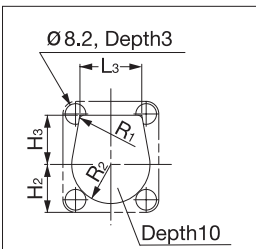


**980643** page.61



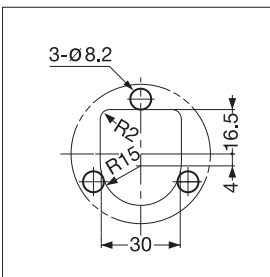
Cut Out Dimensions

**980641, 980642** page.61



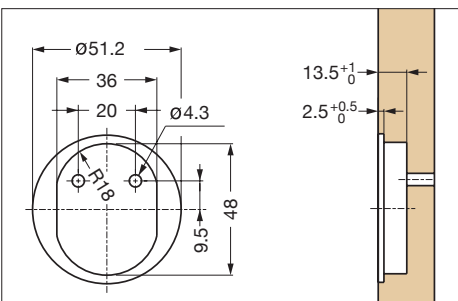
Cut Out Dimensions  
\*See p.81 in 201 Catalog for dimensions

**980640** page.61

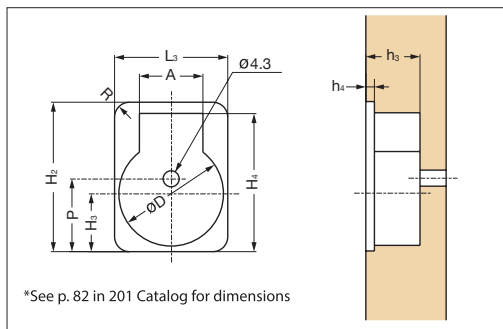


Cut Out Dimensions

**580** page.62

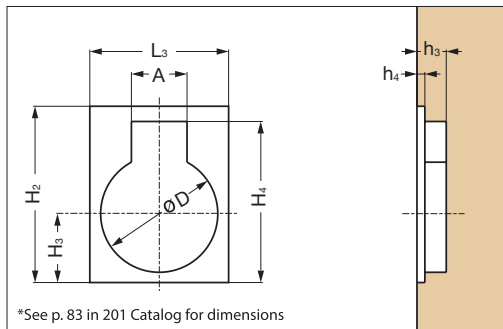


**587** page.62



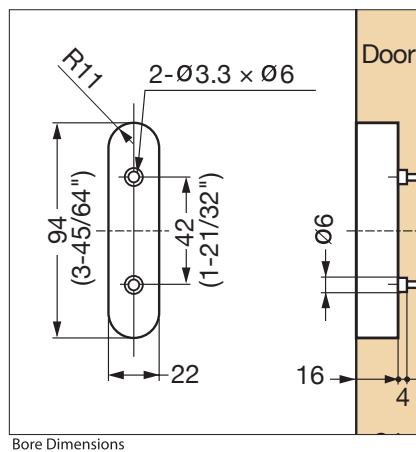
\*See p. 82 in 201 Catalog for dimensions

**587B** page.62



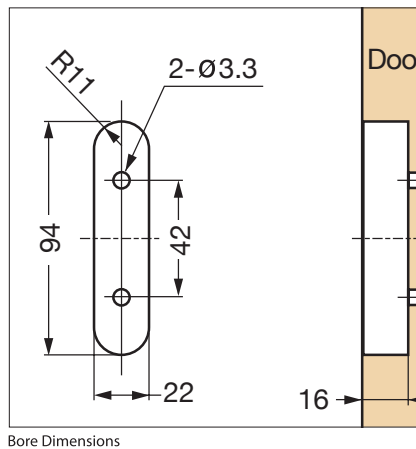
\*See p. 83 in 201 Catalog for dimensions

**FH-100AK, FH-100BK** page.63

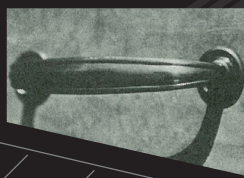
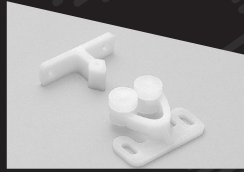


Bore Dimensions

**FH-100AM, FH-100BM** page.63



Bore Dimensions



Sugatsune Kogyo is founded by Isunesaburo Sugasawara **1930**  
 First factory in Tokyo, Japan is opened **1943**

Special hardware is supplied to the household of the Japanese emperor **1955**  
 with magnetic door holder

Obtained international patent **1972**  
 First branch office is opened in Osaka, Japan **1975**  
 Sugatsune America, Inc is founded in Los Angeles, California **1982**

Sugatsune Japan head office renovated new building in central Tokyo **1985**  
 "LAPCON" soft close dampening technology is developed and launched first LAPCON product, Tallman - Closet Rod System **1987**  
 Signature LAPCON product, SDS soft down stay begins production **1988**  
 NSD adjustable soft close stay begins production **1990**

## Global Headquarters in Japan

### Tokyo Head Office



### Tokyo Showroom



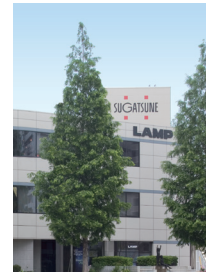
### Branch Offices



Kanagawa



Osaka



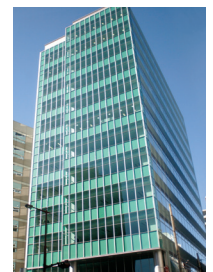
Nagoya



Kyoto



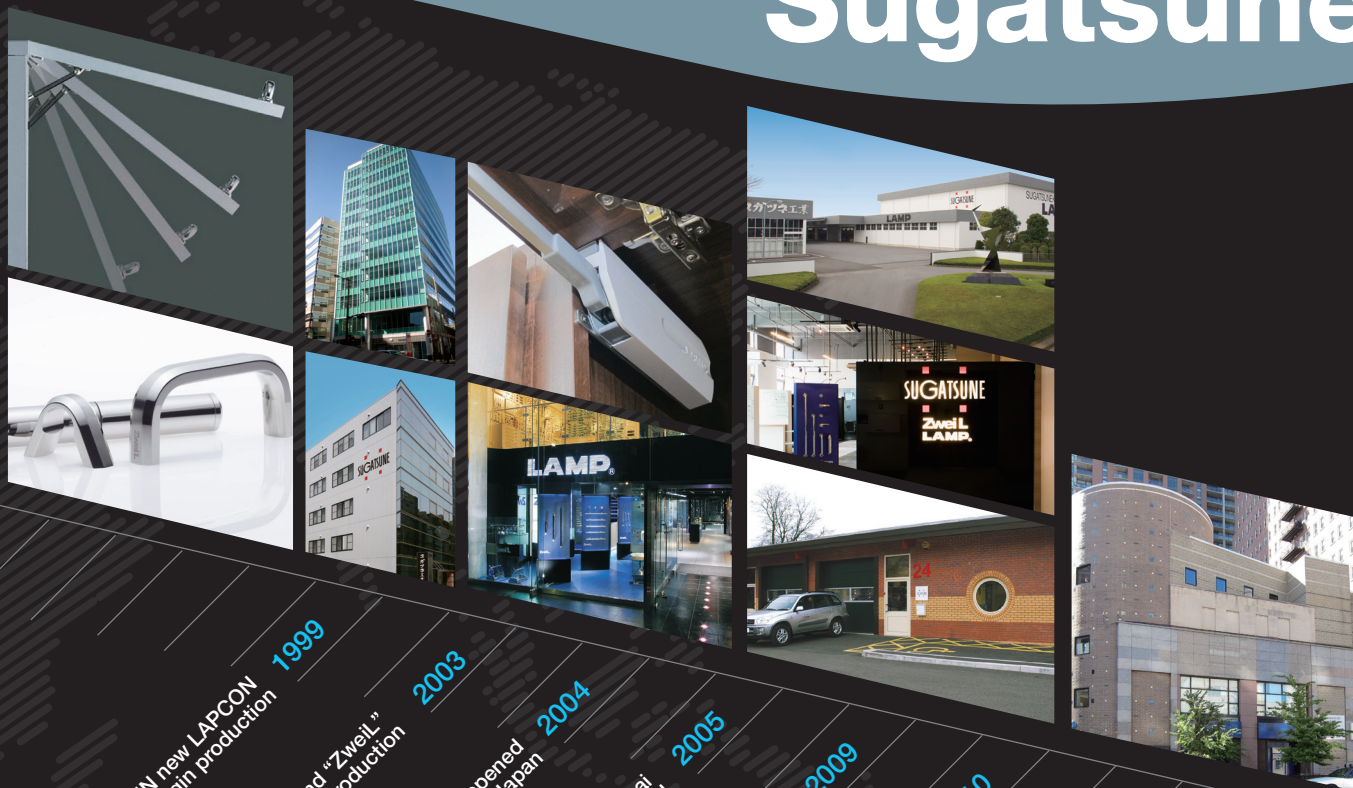
Fukuoka



Sendai



# History of Sugatsune



HBFN / SLUN new LAMPON  
lid stay series begin production **1999**

Premium Brand "Zweil"  
product line begins production **2003**

Branch offices are opened  
in Sendai and Fukuoka, Japan **2004**

Sugatsune UK and Sugatsune Shanghai  
offices are founded **2005**

Next generation lid stay SLS-ELAN  
with soft closing and lift assist  
function begins production **2009**

Sugatsune Japan's 80th anniversary  
and private show events in Japan  
receive over 10,000 visitors **2010**

Sugatsune showroom  
in Chicago opened **2011**

Sugatsune America's 30th anniversary,  
Chicago showroom open house events,  
and distributor showcase events are held **2012**

## Overseas Branches

### United Kingdom



### Shanghai, China



### Beijing, China



# Quality Forward

To hear is to know, to touch is to understand. When you touch Sugatsune's products, you can understand the quality our company exhibits. That quality is shown in our exceptional customer support, meticulous detail in product development, prompt service with adequate inventory, and helpful distributors in your area to service you.

## Customer Service

For over 30 years we have provided North America with outstanding and quality customer support; our customer service team has extensive product knowledge so we can assist our customers with timely and clear information. We ensure not only will our products be of high quality, but that you will be completely satisfied with our customer service team. We believe that you cannot have great products without great customer service.



## Product Development

Our company dedicates a large staff for research and development of new and innovative products, making us the first in product development. We determine each product by functionality and convenience, making us able to set the market trends; however, we also encourage new designs suggested by the consumers. Each new product is tested and rated for exceptional durability and quality, assuring that you will get the finest finished product.



**Customer Service**

**Product Development**

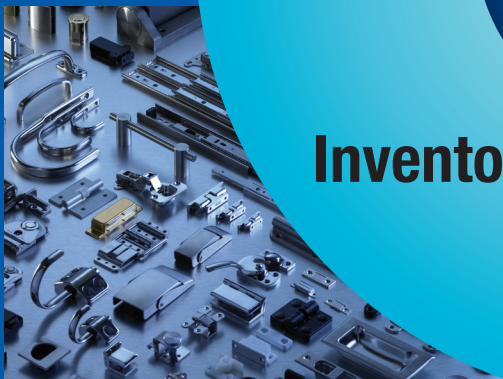
**Quality Forward**

**Inventory**

**Sales Channel**

## Inventory

Quality service requires fast processing and shipping lead times. Our purchasing ensures that each stock item is kept to the maximum quantity and our customer service team will work with you on special order items. With over 5,000 items stocked, our facility has the capacity to service the demands of our customers in North America.



## Sales Channel

Our customers deserve fast and adequate service so our extensive distributor network is prepared to assist you with Sugatsune products. Our distributors have been evaluated to be the best so you can establish a relationship, receive excellent service, and receive fair pricing. Conveniently locate your local distributor on our website or call us for recommendations.





## North American Offices

For more than 30 years, Sugatsune America, Inc. has provided unique solutions to a wide range of industries. Our hardware is sought after and used by architects, designers, builders, OEM's, and countless homeowners. No matter the application or industry we are proud to supply innovative and high quality hardware solutions.

### North American Headquarters

Carson, CA

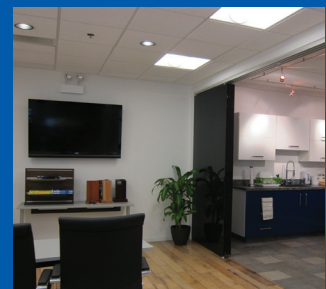
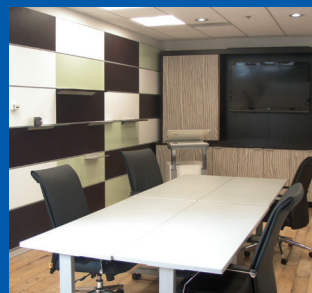


In August 1982, Sugatsune America, Inc. was established by parent company Sugatsune Kogyo in Japan, in order to support its customers and partners in the North American market. Our office is situated in Carson, CA minutes away amongst one of the largest economic centers of the world, Los Angeles. This is where the core of our operations is located for the customer service, warehouse, purchasing, marketing, and management teams. Each has a role in catering to the many industries that our products are found in. Even though we cater to many trades, our organization's goal is to supply the customer items unparalleled quality, craftsmanship, uniqueness, all while giving superior sales and technical support.

### Premiere Showroom

Chicago, IL

In June 2011, Sugatsune America, Inc. unveiled its first North American showroom located in the heart of Chicago, IL. Our mission is to help develop a deeper connection with the architects and distributors in the surrounding area by having upwards of 1,000 of our most popular items for display, hosting seminar events, and product training sessions. Being able to see our products in person brings about a better understanding of our products resulting in taking a step forward from a design and bringing it into reality.



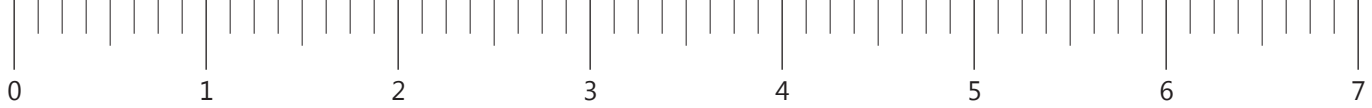
# Inch to Metric Conversion table

# Metric to Inch Conversion

	1"	2"	3"	4"	5"	6"	7"	8"	9"	10"	11"	12"
0/0	0.0	25.4	50.8	76.2	101.6	127.0	152.4	177.8	203.2	228.6	254.0	304.8
1/64	0.4	25.8	51.2	76.6	102.0	127.4	152.8	178.2	203.6	229.0	254.4	305.2
1/32	0.8	26.2	51.6	77.0	102.4	127.8	153.2	178.6	204.0	229.4	254.8	305.6
3/64	1.2	26.6	52.0	77.4	102.8	128.2	153.6	179.0	204.4	229.8	255.2	306.0
1/16	1.6	27.0	52.4	77.8	103.2	128.6	154.0	179.4	204.8	230.2	255.6	306.4
5/64	2.0	27.4	52.8	78.2	103.6	129.0	154.4	179.8	205.2	230.6	256.0	306.8
3/32	2.4	27.8	53.2	78.6	104.0	129.4	154.8	180.2	205.6	231.0	256.4	307.2
7/64	2.8	28.2	53.6	79.0	104.4	129.8	155.2	180.6	206.0	231.4	256.8	307.6
1/8	3.2	28.6	54.0	79.4	104.8	130.2	155.6	181.0	206.4	231.8	257.2	308.0
9/64	3.6	29.0	54.4	79.8	105.2	130.6	156.0	181.4	206.8	232.2	257.6	308.4
5/32	4.0	29.4	54.8	80.2	105.6	131.0	156.4	181.8	207.2	232.6	258.0	308.8
11/64	4.4	29.8	55.2	80.6	106.0	131.4	156.8	182.2	207.6	233.0	258.4	309.2
3/16	4.8	30.2	55.6	81.0	106.4	131.8	157.2	182.6	208.0	233.4	258.8	309.6
13/64	5.2	30.6	56.0	81.4	106.8	132.2	157.6	183.0	208.4	233.8	259.2	310.0
7/32	5.6	31.0	56.4	81.8	107.2	132.6	158.0	183.4	208.8	234.2	259.6	310.4
15/64	6.0	31.4	56.8	82.2	107.6	133.0	158.4	183.8	209.2	234.6	260.0	310.8
1/4	6.4	31.8	57.2	82.5	108.0	133.4	158.8	184.2	209.6	235.0	260.4	311.2
17/64	6.7	32.1	57.5	82.9	108.3	133.7	159.1	184.5	209.9	235.3	260.7	311.5
9/32	7.1	32.5	57.9	83.3	108.7	134.1	159.5	184.9	210.3	235.7	261.1	311.9
19/64	7.5	32.9	58.3	83.7	109.1	134.5	159.9	185.3	210.7	236.1	261.5	312.3
5/16	7.9	33.3	58.7	84.1	109.5	134.9	160.3	185.7	211.1	236.5	261.9	312.7
21/64	8.3	33.7	59.1	84.5	109.9	135.3	160.7	186.1	211.5	236.9	262.3	313.1
11/32	8.7	34.1	59.5	84.9	110.3	135.7	161.1	186.5	211.9	237.3	262.7	313.5
23/64	9.1	34.5	59.9	85.3	110.7	136.1	161.5	186.9	212.3	237.7	263.1	313.9
3/8	9.5	34.9	60.3	85.7	111.1	136.5	161.9	187.3	212.7	238.1	263.5	314.3
25/64	9.9	35.3	60.7	86.1	111.5	136.9	162.3	187.7	213.1	238.5	263.9	314.7
13/32	10.3	35.7	61.1	86.5	111.9	137.3	162.7	188.1	213.5	238.9	264.3	315.1
27/64	10.7	36.1	61.5	86.9	112.3	137.7	163.1	188.5	213.9	239.3	264.7	315.5
7/16	11.1	36.5	61.9	87.3	112.7	138.1	163.5	188.9	214.3	239.7	265.1	315.9
29/64	11.5	36.9	62.3	87.7	113.1	138.5	163.9	189.3	214.7	240.1	265.5	316.3
15/32	11.9	37.3	62.7	88.1	113.5	138.9	164.3	189.7	215.1	240.5	265.9	316.7
31/64	12.3	37.7	63.1	88.5	113.9	139.3	164.7	190.1	215.5	240.9	266.3	317.1
1/2	12.7	38.1	63.5	88.9	114.3	139.7	165.1	190.5	215.9	241.3	266.7	317.5
33/64	13.1	38.5	63.9	89.3	114.7	140.1	165.5	190.9	216.3	241.7	267.1	317.9
17/32	13.5	38.9	64.3	89.7	115.1	140.5	165.9	191.3	216.7	242.1	267.5	318.3
35/64	13.9	39.3	64.7	90.1	115.5	140.9	166.3	191.7	217.1	242.5	267.9	318.7
9/16	14.3	39.7	65.1	90.5	115.9	141.3	166.7	192.1	217.5	242.9	268.3	319.1
37/64	14.7	40.1	65.5	90.9	116.3	141.7	167.1	192.5	217.9	243.3	268.7	319.5
19/32	15.1	40.5	65.9	91.3	116.7	142.1	167.5	192.9	218.3	243.7	269.1	319.9
39/64	15.5	40.9	66.3	91.7	117.1	142.5	167.9	193.3	218.7	244.1	269.5	320.3
5/8	15.9	41.3	66.7	92.1	117.5	142.9	168.3	193.7	219.1	244.5	269.9	320.7
41/64	16.3	41.7	67.1	92.5	117.9	143.3	168.7	194.1	219.5	244.9	270.3	321.1
21/32	16.7	42.1	67.5	92.9	118.3	143.7	169.1	194.5	219.9	245.3	270.7	321.5
43/64	17.1	42.5	67.9	93.3	118.7	144.1	169.5	194.9	220.3	245.7	271.1	321.9
11/16	17.5	42.9	68.3	93.7	119.1	144.5	169.9	195.3	220.7	246.1	271.5	322.3
45/64	17.9	43.3	68.7	94.1	119.5	144.9	170.3	195.7	221.1	246.5	271.9	322.7
23/32	18.3	43.7	69.1	94.5	119.9	145.3	170.7	196.1	221.5	246.9	272.3	323.1
47/64	18.7	44.1	69.5	94.9	120.3	145.7	171.1	196.5	221.9	247.3	272.7	323.5
3/4	19.1	44.5	69.9	95.2	120.7	146.1	171.5	196.9	222.3	247.7	273.1	323.9
49/64	19.4	44.8	70.2	95.6	121.0	146.4	171.8	197.2	222.6	248.0	273.4	324.2
25/32	19.8	45.2	70.6	96.0	121.4	146.8	172.2	197.6	223.0	248.4	273.8	324.6
51/64	20.2	45.6	71.0	96.4	121.8	147.2	172.6	198.0	223.4	248.8	274.2	325.0
13/16	20.6	46.0	71.4	96.8	122.2	147.6	173.0	198.4	223.8	249.2	274.6	325.4
53/64	21.0	46.4	71.8	97.2	122.6	148.0	173.4	198.8	224.2	249.6	275.0	325.8
27/32	21.4	46.8	72.2	97.6	123.0	148.4	173.8	199.2	224.6	250.0	275.4	326.2
55/64	21.8	47.2	72.6	98.0	123.4	148.8	174.2	199.6	225.0	250.4	275.8	326.6
7/8	22.2	47.6	73.0	98.4	123.8	149.2	174.6	200.0	225.4	250.8	276.2	327.0
57/64	22.6	48.0	73.4	98.8	124.2	149.6	175.0	200.4	225.8	251.2	276.6	327.4
29/32	23.0	48.4	73.8	99.2	124.6	150.0	175.4	200.8	226.2	251.6	277.0	327.8
59/64	23.4	48.8	74.2	99.6	125.0	150.4	175.8	201.2	226.6	252.0	277.4	328.2
15/16	23.8	49.2	74.6	100.0	125.4	150.8	176.2	201.6	227.0	252.4	277.8	328.6
61/64	24.2	49.6	75.0	100.4	125.8	151.2	176.6	202.0	227.4	252.8	278.2	329.0
31/32	24.6	50.0	75.4	100.8	126.2	151.6	177.0	202.4	227.8	253.2	278.6	329.4
63/64	25.0	50.4	75.8	101.2	126.6	152.0	177.4	202.8	228.2	253.6	279.0	329.8

mm	Inches
0.1	0.0039
0.2	0.0079
0.3	0.0118
0.4	0.0157
0.5	0.0197
0.6	0.0236
0.7	0.0276
0.8	0.0315
0.9	0.0354
1	0.0394
2	0.0787
3	0.1181
4	0.1575
5	0.1969
6	0.2362
7	0.2756
8	0.3150
9	0.3543
10	0.3937
11	0.4331
12	0.4724
13	0.5118
14	0.5512
15	0.5906
16	0.6299
17	0.6693
18	0.7087
19	0.7480
20	0.7874
21	0.8268
22	0.8661
23	0.9055
24	0.9449
25	0.9843
26	1.0236
27	1.0630
28	1.1024
29	1.1417
30	1.1811
31	1.2205
32	1.2598
33	1.2992
34	1.3386
35	1.3780
36	1.4173
37	1.4567
38	1.4961
39	1.5354
40	1.5748
41	1.6142
42	1.6535
43	1.6929
44	1.7323
45	1.7717
46	1.8110
47	1.8504
48	1.8898
49	1.9291
50	1.9685
51	2.0079
52	2.0472
53	2.0866
54	2.1260
55	2.1654





[Inch ]

# Measurement Conversions

## LENGTH

cm	mm	inch	feet
1	10	0.394	0.0328
0.1	1	0.0394	0.00328
2.54	25.4	1	0.083
30.48	304.8	12	1

inch = mm ÷ 25.4

mm = inch x 25.4

## WEIGHT

g	kg	oz	lb
1	0.001	0.0353	0.0022
1000	1	35.27	2.205
28.4	0.0284	1	0.0625
453.6	0.454	16	1

lb = kg x 2.205

kg = lb ÷ 2.205

## FORCE

N	kgf	lbf
1	0.10197	0.225
9.807	1	2.205
4.448	0.454	1

lbf = kgf x 2.205      N = kgf x 9.807

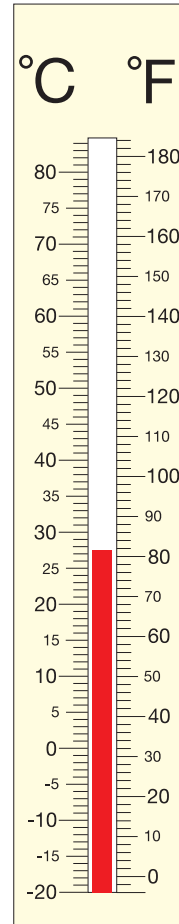
kgf = lbf ÷ 2.205      kgf = N ÷ 9.807

## MOMENT

N · m	kgf · cm	lbs · in
1	10.197	8.85
0.0981	1	0.868
0.113	1.152	1

lbs · in = kgf · cm x 0.868      N · m = kgf · cm x 0.0981

kgf · cm = lbs · in ÷ 0.868      kgf · cm = N · m ÷ 0.0981



## TEMPERATURE

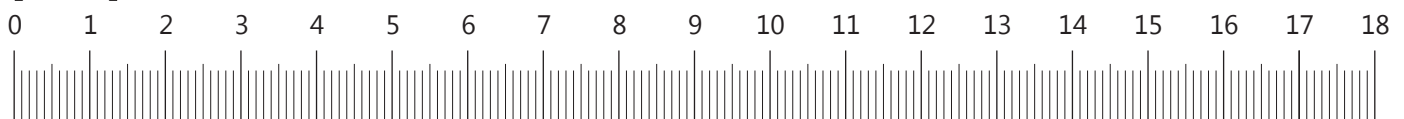
°C	°F
0	32
-17.77	0

°C = (°F - 32) x 5 ÷ 9

°F = °C ÷ 5 x 9 + 32

\*All tools and figures are for reference only.

[Metric ]



# SUGATSUNE

- DOOR HANDLES
- DOOR KNOBS
- DOOR SYSTEMS
- SOFT CLOSING MECHANISM
- CABINET HANDLES
- LID SUPPORTS
- HINGES
- DOOR ACCESSORIES
- CABINET HANDLES
- SHELVING SYSTEM
- SHELF STANDARD
- HOOKS & BRACKETS
- CLOSET HARDWARE
- GLASS HARDWARE
- CATCHES & LATCHES
- DRAWER SLIDES
- LEVELING GLIDES
- CASTERS
- MILLION LOCK SERIES
- BATHROOM ACCESSORIES
- SLIDING DOOR HARDWARE
- CLOSET HARDWARE

## Sugatsune America, Inc.

### U.S. Headquarters:

18101 Savarona Way  
Carson, CA 90746

Phone: 310.329.6373

Toll Free: 800.562.5267 (U.S.A. only)

Fax: 310.329.0819

E-mail: [sales@sugatsune.com](mailto:sales@sugatsune.com)

### Chicago Showroom / Sales Office:

850 South Wabash Avenue #300  
Chicago, IL 60605

Phone: 312.461.1081

Fax: 312.461.1082

E-Mail: [chicagoshowroom@sugatsune.com](mailto:chicagoshowroom@sugatsune.com)

