



# SHELF & SUPPORT HARDWARE

GLASS CLAMPS  
GLASS SHELF SUPPORTS  
SOAP HOLDERS  
BRACKETS  
MIRROR SUPPORTS  
GLASS STANDOFFS  
SHELF STANDARDS & ACCESSORIES  
SHELVING SYSTEMS

GLASS CLAMPS

Picture	Item No.		Glass Thickness (in)	Page
	9303VA2		3/8"	462
	9344VA2		3/8"	462
	4805		3/8"	463
	4846		3/8"	463
	4814		3/8"	463
	4860		5/16"-1/2"	464
	4866		5/16"-1/2"	464
	3001		1/4"	465
	3021		1/4"	465
	9320VA, 4820VA, 4826VA		1/4"-3/8"	465
	4849VA		3/8"	465

GLASS SHELF SUPPORTS





























Picture	Item No.		Glass Thickness (in)	Page
	ZL-2201		5/16"-3/8"	467
	ZL-2202		5/16"-3/8"	468
	ZL-2203		5/16"-3/8"	468
	2877ZN5		1/4"-3/8"	469
	2878ST8		1/4"-3/8"	469
	2879VA1		1/4"-3/8"	469
	2876		1/4"-5/16"	470
	2884		1/4"-3/8"	470
	2880		1/4"-3/8"	471
	2881		1/4"-3/8"	471
	2885		1/4"-3/8"	471

SOAP HOLDERS





Picture	Item No.		Page
	DSS-05		472
	DSC-05		472
	DSP		473














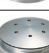












**BRACKET**

Picture	Item No.	Load Capacity(lbs)	Page
	SU 	9~13	474
	SU-A 	22~52	474
	SU-B 	22~28	474
	XL-SA01 	26~50	475
	SV 	18~31	475
	BT, BTK, BTW 	33~181	476
	EB, EB-303/EP-D 	198~220	477- 477.2
	EBD 	Torque: Max. 75-133 (in-lbs )	477
	EB Lever Release 	-	477.3 - 477.4
	BTO 	89.9	478
	BOS	72-88	478
	388 	77~176	479
	GTS-300 	6.6	479
	BY 	110	480
	BU-200	66	480

**MIRROR SUPPORTS**

Picture	Item No.	Glass Thickness (in)	Page	Picture	Item No.	Glass Thickness (in)	Page
	ZL-3102-40 	1/4"	481		ZL-3101-200 	1/4"	481

**GLASS STANDOFFS**

Picture	Item No.	Glass Thickness (in)	Page	Picture	Item No.	Glass Thickness (in)	Page
	7000VA 	5/16"-1/2"	482		7051EO 	1/4"-9/16"	485
	7005VA 	5/16"-1/2"	482		7083VA 	1/4"-1/2"	485
	7010VA 	5/16"-1/2"	483		4872	1/4"-1/2"	485
	7015VA 	5/16"-1/2"	483		7120VA 	5/16"	486
	7060EO 	1/4"-1/2"	484		7140E1EV1	1/8"-1/4"	486
	7061VA 	1/4"-1/2"	484		7144E1EV1 	3/16"-5/16"	486
	7062VA 	1/4"-1/2"	484				

SHELF STANDARDS

SHELF & SUPPORT HARDWARE

Stainless Steel Shelf Supports

SPH-1820  
(HEAVY DUTY)

NSF COMPONENT RoHS STAINLESS 304 STEEL Page 488~489



SPH-20  
286lbs/4pcs



SPH-5  
286lbs/4pcs



SPH-15  
286lbs/4pcs



SP-18E

SPHL-1820  
(HEAVY DUTY)

NSF COMPONENT RoHS STAINLESS 304 STEEL Page 495



SPHL-25  
330lbs/4pcs



SPHL-30  
330lbs/4pcs

SP-1820  
(HEAVY DUTY)

NSF COMPONENT RoHS STAINLESS 304 STEEL Page 490~492



SPB-15R  
220lbs/4pcs



SPB-20  
99lbs/4pcs



SPF-20  
176lbs/4pcs



SPF-20A



SPF-20LC



SPB-35  
11lbs/pc



SPB-200  
22lbs/per pair

SM-1820  
(COVERED SLOT)

NSF COMPONENT RoHS STAINLESS 304 STEEL Page 493



SMB-15R  
198lbs/4pcs



SPM-20B  
132lbs/4pcs

SPE-1820  
(THIN PROFILE)

RoHS STAINLESS 304 STEEL Page 494



SPE-FB20S  
176lbs/4pcs



SPE-FC20

SPN-1820  
(NARROW PROFILE)

RoHS Page 496



SPN-15  
176lbs/4pcs



SPN-17EC

SPW-1820  
(COVER-STRIP)

STAINLESS 430 STEEL RoHS Page 497



SPW-20  
176lbs/4pcs



SPW-EC20

Aluminium Shelf Supports

AP-DM, AP-DH

ALUMINIUM Page 498~499



AP-FB20  
99lbs/4pcs



AP-EC20



AP-FC20

FSL-Series  
(Adjustable Mount)

STAINLESS 430 STEEL RoHS Page 499.1-499.2



FSL-V36



FSL-MB



FSL-S4

SHELVING SYSTEM



P.500~503  
Max Shelf Weight 66 lbs  
Specifications: For 5/16"-3/8" glass

**XL-US02B**  
UNIT SHELF TYPE "B"



P.504~505  
Max Shelf Weight 77 lbs  
Specifications: For 5/16"-3/8" glass

**XL-US02C**  
UNIT SHELF TYPE "C"



P.510  
Max Shelf Weight 22~88 lbs  
Specifications: For glass or wood shelves

**VT-DS**  
LEVEL ADJUSTABLE  
SHELVING SYSTEM



P.511  
Max Shelf Weight 22~88 lbs  
Specifications: For glass or wood shelves

**VT-DF**  
LEVEL ADJUSTABLE  
SHELVING SYSTEM



P.512~513

**FLUQS.250 / 750**  
WALL SHELVING SYSTEM



P.514~517

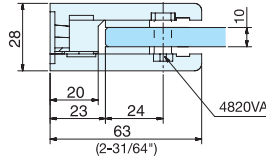
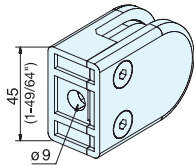
**FLUQS.25 / ONE**  
WALL SHELVING SYSTEM



GLASS CLAMP



9303VA2



- 316 stainless steel clamp.
- For flat surface.
- Optional Parts: 4820VA (Safety Pin)
- See page 466 for load capacity.
- Tempered Glass Recommended.

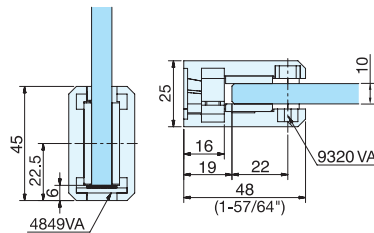
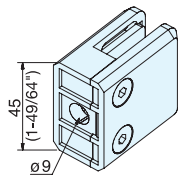
Item No.	Glass Thickness (mm)	Weight (g)	Box (pcs)	Carton (pcs)	Material	Finish
9303VA2	10	324	10	100	316 Stainless Steel	Satin



GLASS CLAMP



9344VA2



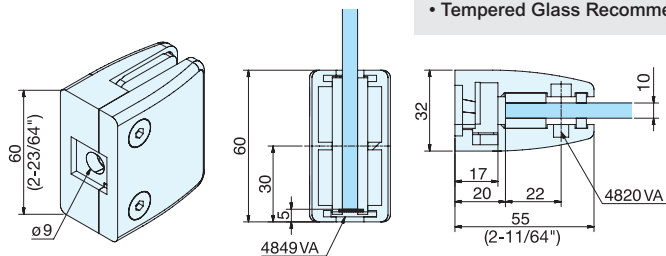
- 316 stainless steel clamp.
- For flat surface.
- Optional Parts: 9320VA (Safety Pin)  
4849VA (Safety Plate)
- See page 466 for load capacity.
- Tempered Glass Recommended.

Item No.	Glass Thickness (mm)	Weight (g)	Box (pcs)	Carton (pcs)	Material	Finish
9344VA2	10	229	10	100	316 Stainless Steel	Satin



# GLASS CLAMP

## 4805



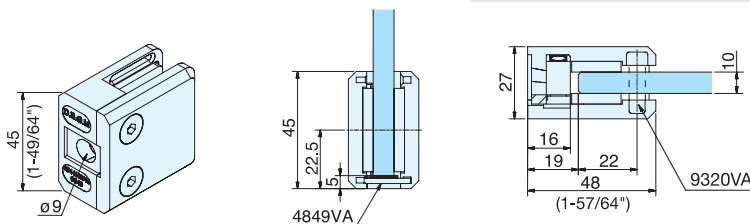
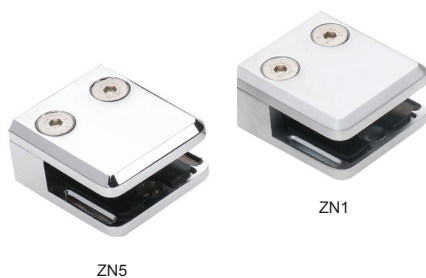
- Glass clamp for flat surface.
- Optional Parts: 4820VA (Safety Pin)  
4849VA (Safety Plate)
- See page 466 for load capacity.
- Tempered Glass Recommended.

Item No.	Glass Thickness	Weight (g)	Box (pcs)	Carton (pcs)	Material	Finish
4805ZN1	3/8" (10 mm)	289	10	100	Zinc Alloy	Matte Chrome
4805ZN5						Chrome
4805ZN12					Aluminum	Plain



# GLASS CLAMP

## 4846



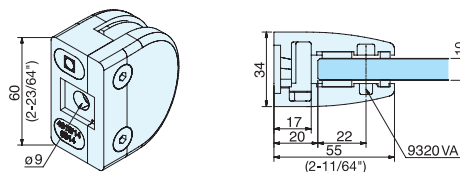
- Glass clamp for flat surface.
- Optional Parts: 9320VA (Safety Pin)  
4849VA (Safety Plate)
- See page 466 for load capacity.
- Tempered Glass Recommended.

Item No.	Glass Thickness	Weight (g)	Box (pcs)	Carton (pcs)	Material	Finish
4846ZN1	3/8" (10 mm)	196	10	100	Zinc Alloy	Matte Chrome
4846ZN5						Chrome



# GLASS CLAMP

## 4814



- Glass clamp for flat surface.
- Optional Parts: 9320VA (Safety Pin)
- See page 466 for load capacity.
- Tempered Glass Recommended.

Item No.	Glass Thickness	Weight (g)	Box (pcs)	Carton (pcs)	Material	Finish
4814ZN1	10	284	10	100	Zinc Alloy	Matte Chrome
4814ZN5						Chrome

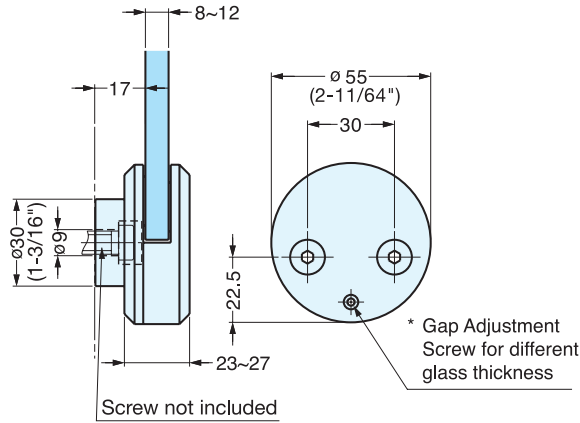


## GLASS CLAMP

4860



- Front mount type glass clamp.
- Equipped with adjustment screw to accommodate different glass thickness.
- See page 466 for load capacity.
- Tempered Glass Recommended.

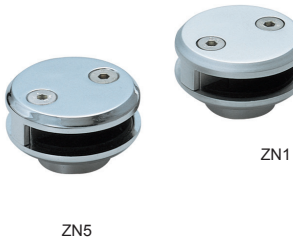


Item No.	Glass Thickness (mm)	Weight (g)	Box (pcs)	Carton (pcs)	Material	Finish
4860ZN1	8~12	24	10	100	Zinc Alloy	Matte Chrome
4860ZN5						Chrome

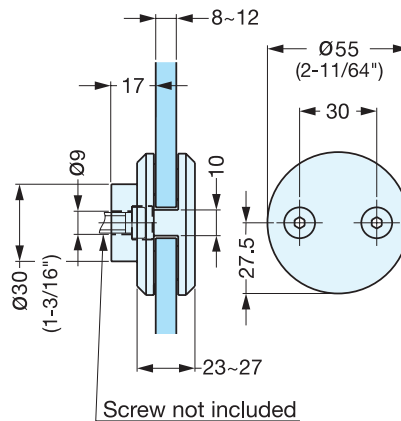


## GLASS CLAMP

4866



- Front mount type glass clamp.
- For applications where glass panels need to be installed side by side.
- Equipped with adjustment screw to accommodate different glass thickness.
- See page 466 for load capacity.
- Tempered Glass Recommended.



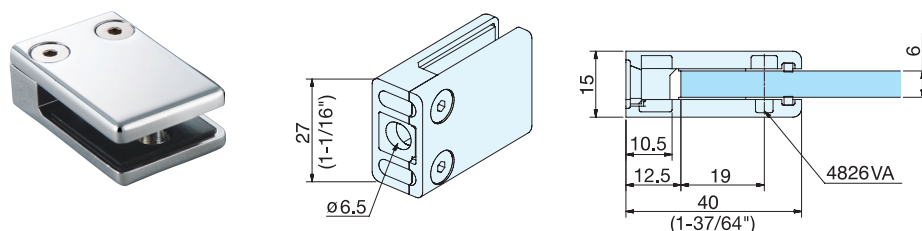
Item No.	Glass Thickness (mm)	Weight (g)	Box (pcs)	Carton (pcs)	Material	Finish
4866ZN1	8~12	221	10	100	Zinc Alloy	Matte Chrome
4866ZN5						Chrome





## MINI GLASS CLAMP

3001



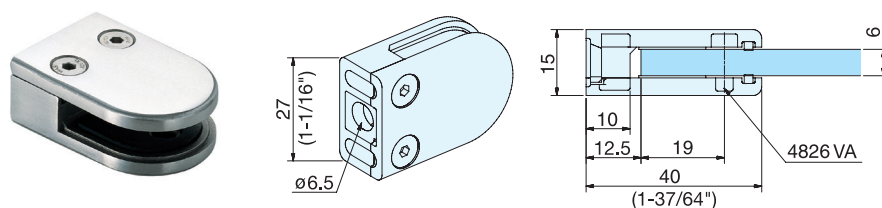
- Small glass clamp.
- Optional Parts: 4826VA (Safety Pin)
- See page 466 for load capacity.
- Tempered Glass Recommended.

Item No.	Glass Thickness (mm)	Weight (g)	Box (pcs)	Carton (pcs)	Material	Finish
3001ZN1-6	6	52	20	200	Zinc Alloy	Matte Chrome
3001ZN5-6						Chrome



## MINI GLASS CLAMP

3021



- Small type glass clamp.
- Optional Parts: 4826VA (Safety Pin)
- See page 466 for load capacity.
- Tempered Glass Recommended.

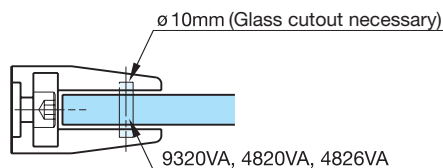
Item No.	Glass Thickness (mm)	Weight (g)	Box (pcs)	Carton (pcs)	Material	Finish
3021ZN1-6	6	48	20	200	Zinc Alloy	Matte Chrome
3021ZN5-6						Chrome



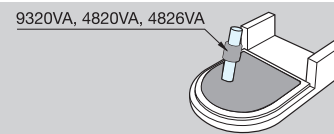
## SAFETY PIN



9320VA, 4820VA, 4826VA



- 302 Stainless Steel Safety Pin with rubber ring.
- Use hammer to insert into clamp.



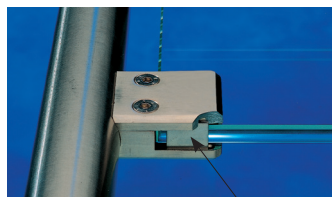
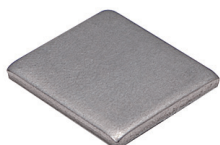
Item No.	Glass Thickness (mm)	Dimensions (mm)	Weight (g)	Box (pcs)	Carton (pcs)	Material	Finish
9320VA	10	Ø6 × 20	5	20	200	302 Stainless Steel	Plain
4820VA		Ø6 × 16					
4826VA	6	Ø4 × 12					



## SAFETY PLATE



4849VA



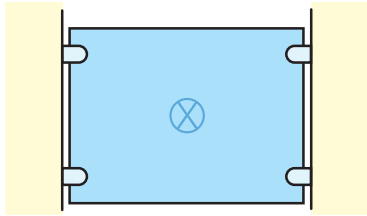
- 304 Stainless Steel Safety Plate (18 × 20 × 2 mm).

Item No.	Glass Thickness (mm)	Weight (g)	Box (pcs)	Carton (pcs)	Material	Finish
4849VA	10	6	20	200	304 Stainless Steel	Plain

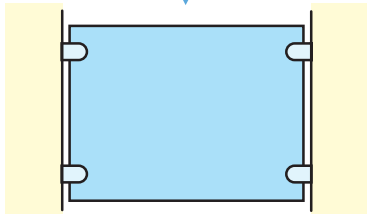
# GLASS CLAMP LOAD RATING REFERENCE

SHELF & SUPPORT HARDWARE

GLASS CLAMP LOAD RATING REFERENCE



Test A - Load applied to the center of panel from above (when mounted horizontally).



Test B - Load applied to the center of panel from the edge (when mounted vertically).

• Load capacity test was conducted using 4 clamps on one panel. These figures are the load capacities of glass clamps, not the glass panel. Panels used are stronger than the clamps, bolted on to a strong steel structure with M8 bolts.

Item No.	Test A		Test B	
	N	Kg	N	Kg
3001ZN1-6	-	-	245	25 (55 lbs)
3001ZN5-6				
3021ZN1-6				
3021ZN5-6				
4805ZN1	3000	306 (673 lbs)	1000	102 (224 lbs)
4805ZN5			800	81 (178 lbs)
4814ZN1				
4814ZN5				
4846ZN1			600	61 (134 lbs)
4846ZN5				

Item No.	Test A		Test B	
	N	Kg	N	Kg
<del>4856ZN1</del>	3000	306 (673 lbs)	600	61 (134 lbs)
<del>4856ZN5</del>			500	51 (112 lbs)
4860ZN1				
4860ZN5				
4866ZN1				
4866ZN5			600	61 (134 lbs)
9303VA2				
9344VA2				



4846ZN5 (P.463)

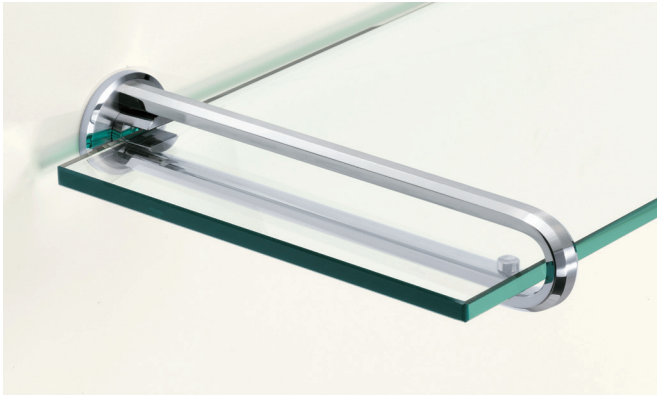
# Zwei L Glass Shelf Support



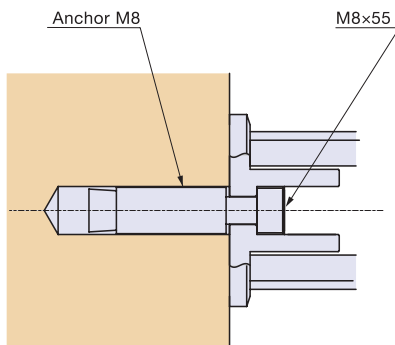
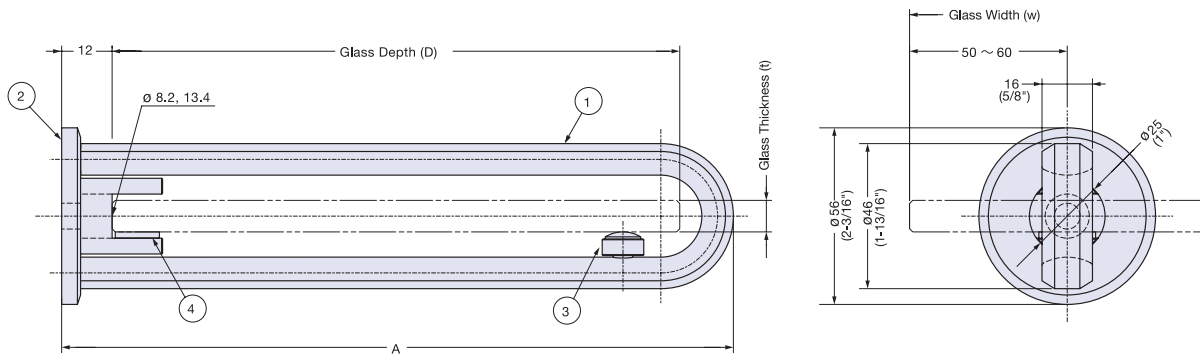
ZL-2201

SHELF & SUPPORT HARDWARE

Zwei L GLASS SHELF SUPPORTS



- Sold per each. Glass not included.
- Supplied with stainless steel Hex Socket Cap Screw (M8 x 55), concrete anchor (for M8,  $\phi$ 14 mm hole) and 8 mm allen key
- Tempered glass recommended.



Item No.	A	Glass Dimensions (Per 2 Clamps)			Weight (g)	Box (pcs)
		t	D	W		
ZL-2201-120	150 (5-29/32")	8 or 10 (5/16" or 25/64")	120	Max. 640 (25-3/16")	293	2
ZL-2201-180	210 (8-17/64")		180	Max. 800 (31-1/2")	403	
ZL-2201-240	270 (10-5/8")		240	Max. 960 (37-13/16")	438	

No.	Part Name	Material	Finish/Color
①	Shelf Holder	316 Stainless Steel	Zwei L
②	Base Plate		Zwei L/Clear
③	Level Adjuster	316 Stainless Steel/Polyurethane	Zwei L/Clear
④	Bumper	Synthetic Rubber	Black

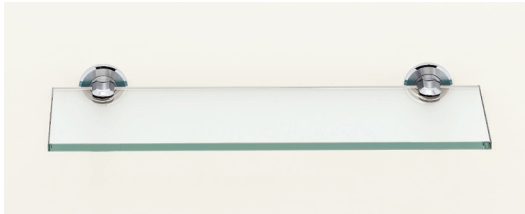
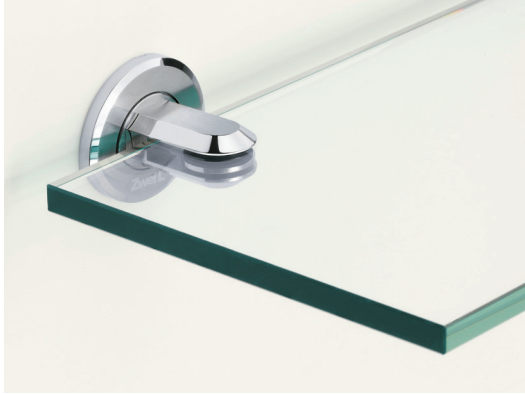
# Zwei L Glass Shelf Support



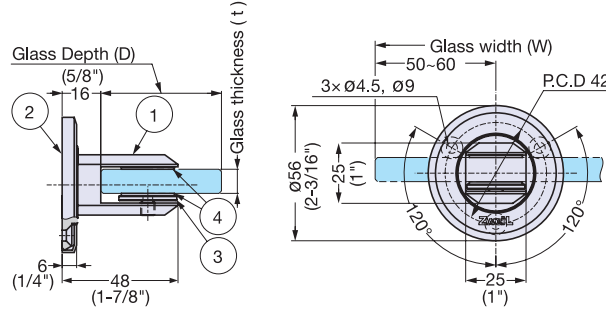
# ZL-2202

SHELF & SUPPORT HARDWARE

Zwei L GLASS SHELF SUPPORTS



- Sold per each. Glass not included.
- Supplied with stainless steel wood screw (4.1 x 32) and concrete anchor (for wood screw 4.1, ø6 mm hole)
- Tempered glass recommended.



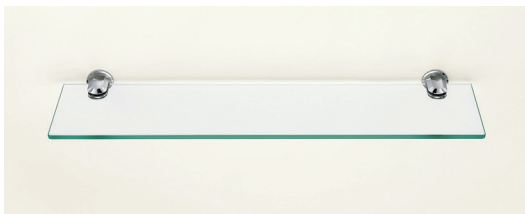
Item No.	Glass Dimensions (Per 2 Clamps)			Weight (g)	Box (pcs)
	t	D	W		
ZL-2202	8 or 10 (5/16" or 25/64")	Max. 160 (6-19/64")	Max. 480 (18-7/8")	119	2

No.	Part Name	Material	Finish/Color
①	Shelf Holder	316 Stainless Steel	Zwei L
②	Base Plate		
③	Bumper Plate	Synthetic Rubber	Black
④	Bumper		

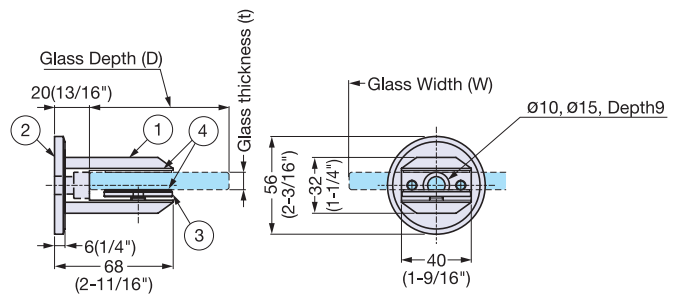
# Zwei L Glass Shelf Clamp



# ZL-2203



- Sold per each. Glass not included.
- Supplied with stainless steel Hex Socket Cap Screw (M8 x 55), concrete anchor (for M8, ø14 mm hole) and 8 mm allen key
- Tempered glass recommended.



Item No.	Glass Dimensions (Per 2 Clamps)		
	t	D	W
ZL-2203	8 or 10 (5/16" or 25/64")	Max. 240 (9-29/64")	Max. 640 (25-3/16")

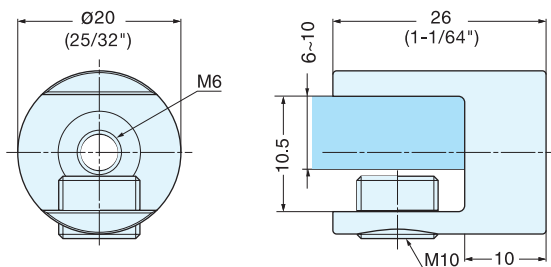
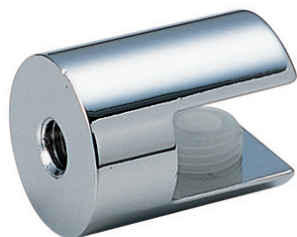
No.	Part Name	Material	Finish/Color
①	Shelf Holder	316 Stainless Steel	Zwei L
②	Base Plate		
③	Level Adjuster	Synthetic Rubber	Black
④	Bumper		



# GLASS SHELF SUPPORT



## 2877ZN5



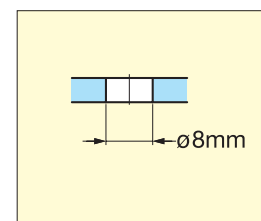
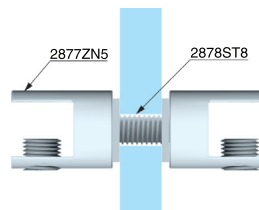
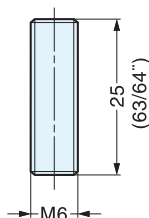
- Please specify mounting screw 2878ST8 or 2879VA1 when ordering sold separately, (see below).
- Tempered Glass Recommended.

Item No.	Glass Thickness (mm)	Weight (g)	Box (pcs)	Carton (pcs)	Material	Finish
2877ZN5	6~10	17	20	200	Zinc Alloy	Chrome



# MOUNTING SCREW (FOR BACK-TO-BACK)

## 2878ST8



Cut Out Dimension

- Screw set for 2877ZN5 (sold separately).

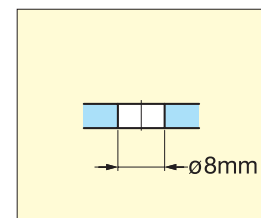
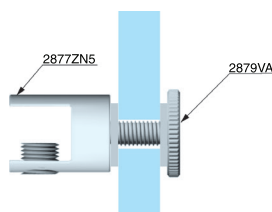
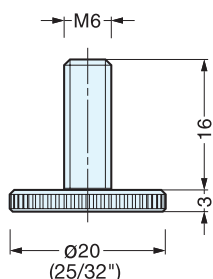
Item No.	Glass Thickness (mm)	Weight (g)	Box (pcs)	Carton (pcs)	Material	Finish
2878ST8	6~10	5	20	200	Steel	Clear Zinc Chromate



# MOUNTING SCREW



## 2879VA1



Cut Out Dimension

- Screw set for 2877ZN5 (sold separately).

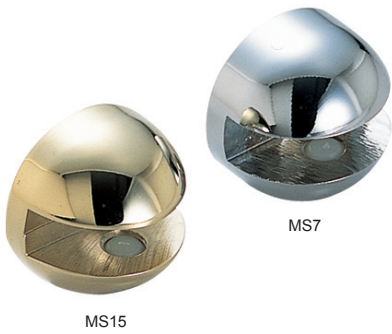
Item No.	Glass Thickness (mm)	Weight (g)	Box (pcs)	Carton (pcs)	Material	Finish
2879VA1	6~10	9	20	200	302 Stainless Steel	Polished



# GLASS SHELF SUPPORT



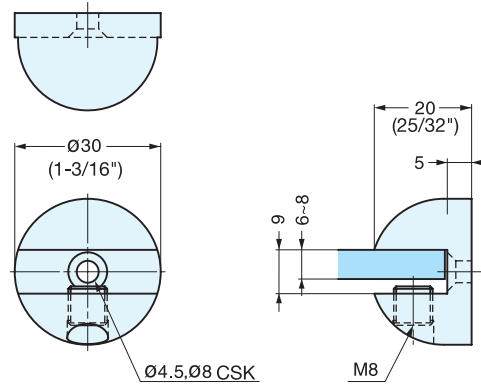
2876



MS15

MS7

- Load capacity (center of glass) 5 kg (11 lbs)/pair with shelf support distance max. 300 mm, glass depth max. 300 mm.
- Tempered Glass Recommended.



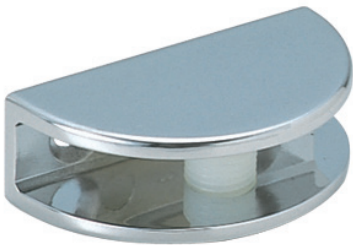
Item No.	Glass Thickness (mm)	Weight (g)	Box (pcs)	Carton (pcs)	Material	Finish
2876MS 7	6~8	61	20	200	Brass	Chrome (MS7)
2876MS15						Polished Brass (MS15)



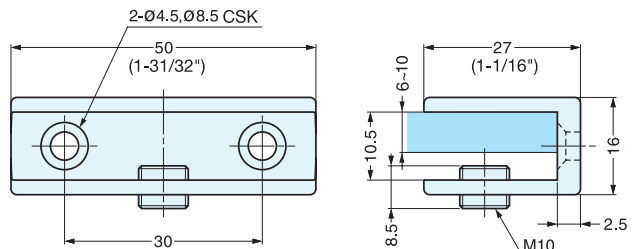
# GLASS SHELF SUPPORT



2884



- Load capacity (center of glass) 5 kg (11 lbs)/pair with shelf support distance max. 300 mm, glass depth max. 300 mm.
- Tempered Glass Recommended.



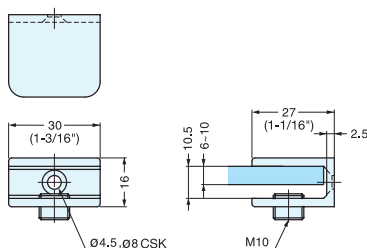
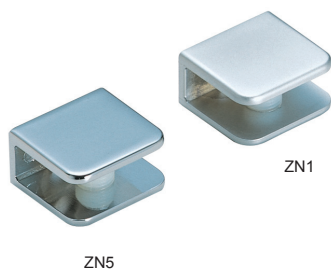
Item No.	Glass Thickness (mm)	Weight (g)	Box (pcs)	Carton (pcs)	Material	Finish
2884ZN5	6~10	49	20	200	Zinc Alloy	Chrome (ZN5)
2884VA2					304 Stainless Steel	Satin (VA2)



## GLASS SHELF SUPPORT



2880



- Load capacity (center of glass) 5 kg (11 lbs)/pair with shelf support distance max. 300 mm, glass depth max. 300 mm.
- Tempered Glass Recommended.

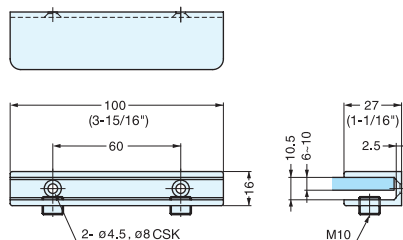
Item No.	Glass Thickness (mm)	Weight (g)	Box (pcs)	Carton (pcs)	Material	Finish
2880ZN1	6~10	34	20	200	Zinc Alloy	Matte Chrome (ZN1)
2880ZN5						Chrome (ZN5)
2880VA2					304 Stainless Steel	Satin (VA2)



## GLASS SHELF SUPPORT



2881



- Load capacity (center of glass) 20 kg (44 lbs)/pair with shelf support distance max. 500 mm, glass depth max. 300 mm.
- Tempered Glass Recommended.

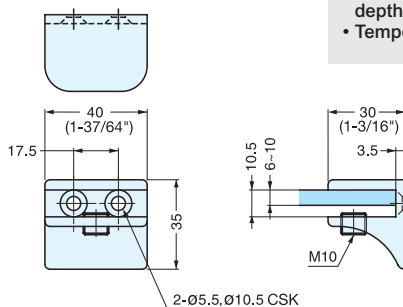
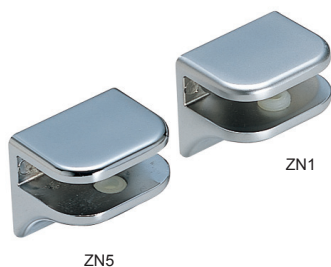
Item No.	Glass Thickness (mm)	Weight (g)	Box (pcs)	Carton (pcs)	Material	Finish
2881ZN1	6~10	118	20	200	Zinc Alloy	Matte Chrome (ZN1)
2881ZN5						Chrome (ZN5)



## GLASS SHELF SUPPORT



2885



- Load capacity (center of glass) 25 kg (55 lbs)/pair with shelf support distance max. 500 mm, glass depth max. 300 mm.
- Tempered Glass Recommended.

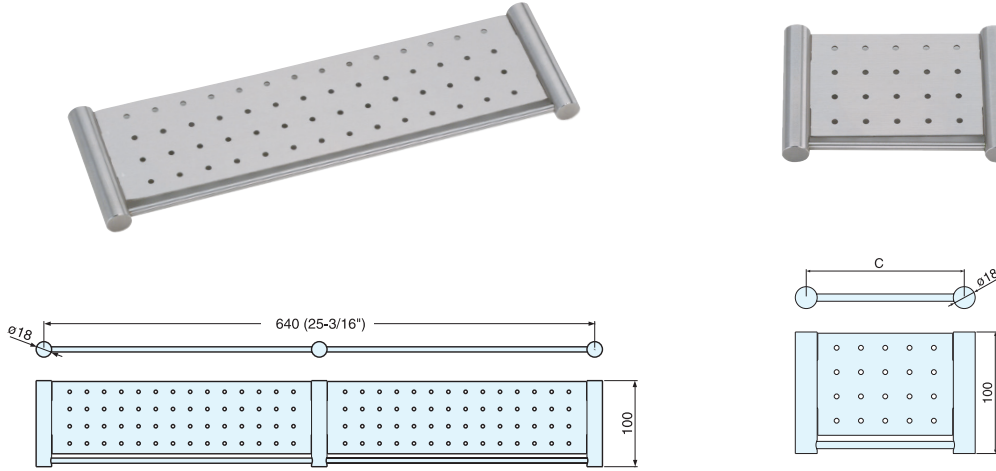
Item No.	Glass Thickness (mm)	Weight (g)	Box (pcs)	Carton (pcs)	Material	Finish
2885ZN1	6~10	83	20	200	Zinc Alloy	Matte Chrome (ZN1)
2885ZN5						Chrome (ZN5)
2885VA2					304 Stainless Steel	Satin (VA2)

# SOAP HOLDER/SHELF



## DSS-05

- Supplied with screws, brackets, plastic expansion anchors and allen key.
- Not designed for drywall installation.



Item No.	C	Weight (g)	Box (pcs)	Carton (pcs)
DSS-05/13	130 ( 5-1/8" )	507	1	10
DSS-05/17	170 ( 6-11/16" )	555		
DSS-05/32	320 ( 12-19/32" )	731		
DSS-05/64	640 ( 25-3/16" )	1270		

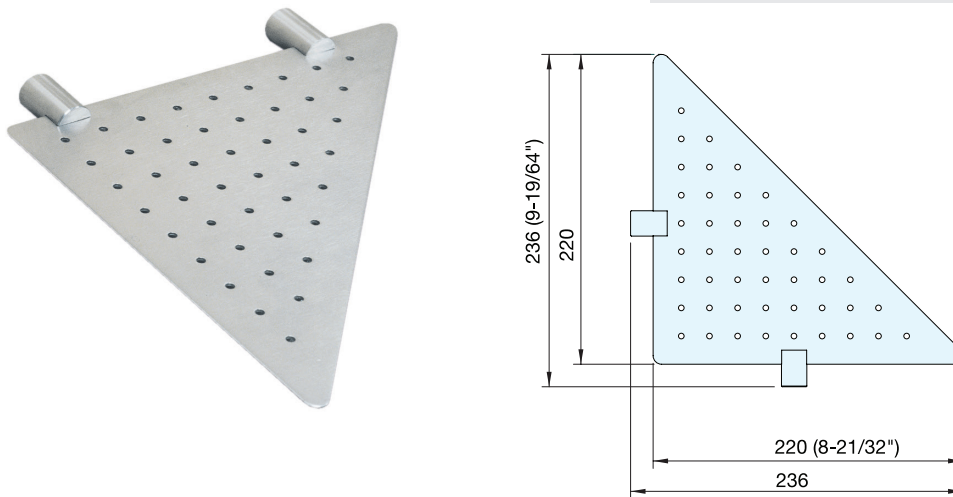
Material	Finish
303/304 Stainless Steel	Satin

# SOAP HOLDER/SHELF (CORNER MOUNT)



## DSC-05

- 2 posts included-posts can be attached anywhere along shelf edge.
- Supplied with screws, brackets, plastic expansion anchors and allen key.
- Not designed for drywall installation.



Item No.	Weight (g)	Box (pcs)	Carton (pcs)
DSC-05	420	1	10

Material	Finish
304 Stainless Steel	Satin



# SHELF SUPPORT

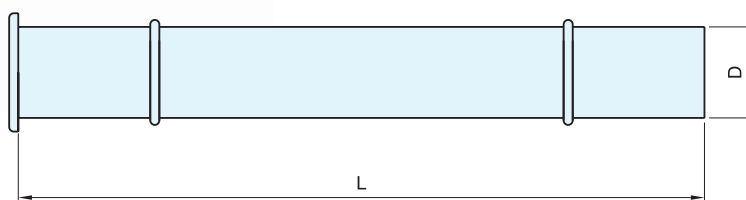


DSP

SHELF & SUPPORT HARDWARE

SHELF SUPPORTS

- Supplied with screw and plastic expansion anchor.
- Sold per each.
- Glass not included.
- Not designed for drywall installation.



Shelf is not included.

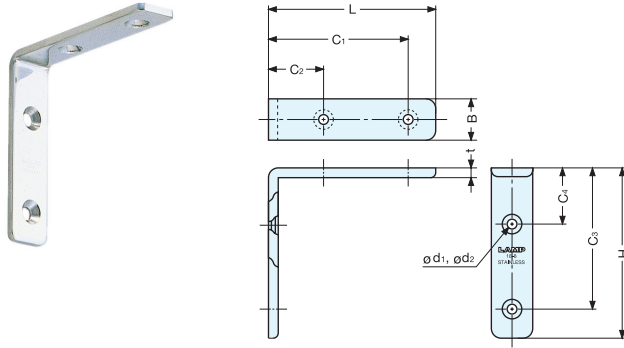
Material	Finish
303/304 Stainless Steel	Satin

Item No.	D	L	Weight (g)	Box (pcs)	Carton (pcs)
DSP-S/12	12 (15/32")	120 ( 4-45/64" )	133	10	100
DSP-S/15	12 (15/32")	150 ( 5-57/64" )	139		
DSP-S/20	12 (15/32")	200 ( 7-55/64" )	184		
DSP-M/15	14 (35/64")	150 ( 5-57/64" )	198		
DSP-M/20	14 (35/64")	200 ( 7-55/64" )	255		
DSP-M/24	14 (35/64")	240 ( 9-7/16" )	306		
DSP-M/30	14 (35/64")	300 (11-51/64")	380		
DSP-L/20	20 (25/32")	200 ( 7-55/64" )	212		
DSP-L/25	20 (25/32")	250 ( 9-53/64" )	238		
DSP-L/30	20 (25/32")	300 (11-51/64")	255		

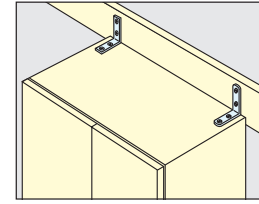
# ANGLE BRACKET



SU



• Stainless steel bracket with soft and sleek design.



Installation

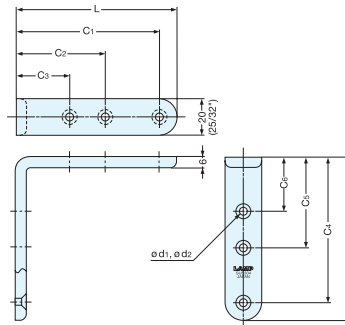
Material	Finish
304 Stainless Steel	Mirror (M), Satin (S)

Item No.	L	H	C <sub>1</sub>	C <sub>2</sub>	C <sub>3</sub>	C <sub>4</sub>	B	t	d <sub>1</sub>	d <sub>2</sub>	Holes	Load Capacity (kg)	Weight (g)	Box (pcs)	Carton (pcs)	Screw	
SU-30/M	SU-30/S	30 ( 1-7/32" )	30 ( 1-7/32" )	24	11	24	11	12 ( 15/32" )	2.5	3.5	6.5	4	6 ( 13 lbs )	11	60	960	3.1 × 20
SU-45/M	SU-45/S	45 ( 1-13/16" )	45 ( 1-13/16" )	37	17	37	17	13 ( 33/64" )	5 ( 11 lbs )				23	50	800		
SU-60/M	SU-60/S	60 ( 2-13/32" )	60 ( 2-13/32" )	50	20	50	20	15 ( 19/32" )	4 ( 9 lbs )	36	40		640	3.5 × 20			

# ANGLE BRACKET



SU-A



• Stainless steel angle bracket for applications where corrosion is an issue.

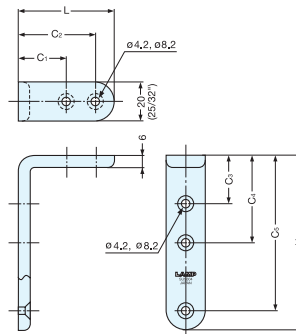
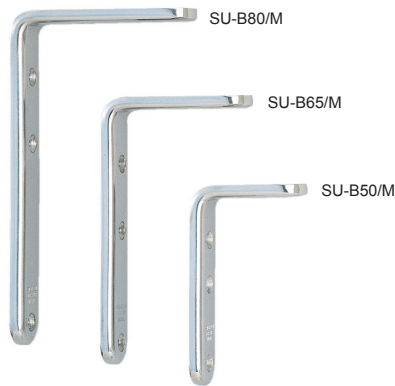
Material	Finish
304 Stainless Steel	Mirror

Item No.	L	H	C <sub>1</sub>	C <sub>2</sub>	C <sub>3</sub>	C <sub>4</sub>	C <sub>5</sub>	C <sub>6</sub>	d <sub>1</sub>	d <sub>2</sub>	Holes	Load Capacity (kg)	Weight (g)	Box (pcs)	Carton (pcs)
SU-A70/M	70 ( 2-3/4" )	70 ( 2-3/4" )	-	60	30	-	60	30	4.2	8.2	4	24 ( 52 lbs )	107	10	100
SU-A90/M	90 ( 3-35/64" )	90 ( 3-35/64" )	80	50		80	50					17 ( 37 lbs )	140		
SU-A120/M	120 ( 4-23/32" )	120 ( 4-23/32" )	110	60	110	60	13 ( 28 lbs )	194	8	80					
SU-A150/M	150 ( 5-29/32" )	150 ( 5-29/32" )	140	60	140	60	10 ( 22 lbs )	248	6	60					

# ANGLE BRACKET



SU-B



• Stainless steel angle bracket for applications where corrosion is an issue.

Material	Finish
304 Stainless Steel	Mirror

Item No.	L	H	C <sub>1</sub>	C <sub>2</sub>	C <sub>3</sub>	C <sub>4</sub>	C <sub>5</sub>	Holes	Load Capacity (kg)	Weight (g)	Box (pcs)	Carton (pcs)
SU-B50/M	50 ( 1-31/32" )	90 ( 3-35/64" )	25	40	25	45	80	5	13 ( 28 lbs )	106	10	100
SU-B65/M	65 ( 2-9/16" )	120 ( 4-23/32" )	30	55	30	60	110			145		
SU-B80/M	80 ( 3-5/32" )	150 ( 5-29/32" )		70		140	5	10 ( 22 lbs )	186	8	80	

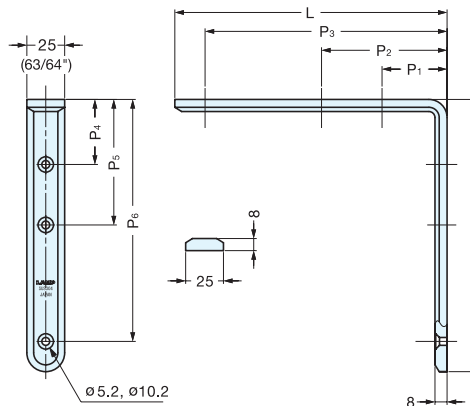
# ANGLE BRACKET



# XL-SA01



• Stainless steel bracket with soft and sleek design.



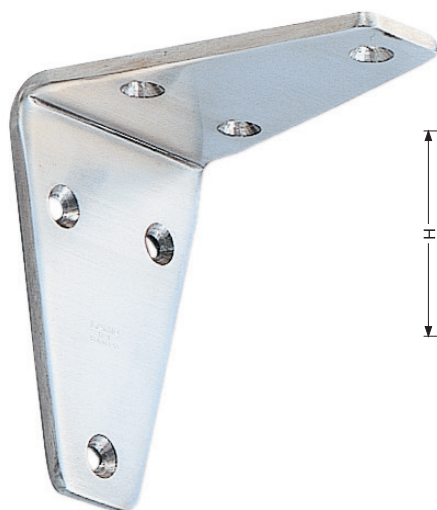
Material	Finish
304 Stainless Steel	Satin (S), Mirror (M)

Item No.		L	H	P <sub>1</sub>	P <sub>2</sub>	P <sub>3</sub>	P <sub>4</sub>	P <sub>5</sub>	P <sub>6</sub>	Holes	Load Capacity (kg)	Weight (g)	Box (pcs)	Carton (pcs)
Satin	Mirror													
XL-SA01-120/S	XL-SA01-120/M	120 (4-23/62")	120 (4-23/62")	38	-	100	38	-	100	4	23 (50 lbs)	312	8	40
XL-SA01-150/S	XL-SA01-150/M	150 (5-29/32")	150 (5-29/32")	43	-	130	43	-	130	6	18 (39 lbs)	400	6	30
XL-SA01-180/S	XL-SA01-180/M	180 (7-5/64")	180 (7-5/64")		160	160		160						
XL-SA01-240/S	XL-SA01-240/M	240 (9-29/64")	240 (9-29/64")	83	83	220	83	83	220	6	12 (26 lbs)	660	4	20

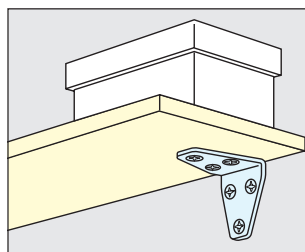
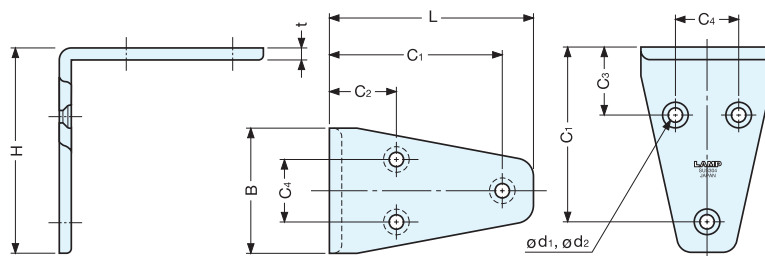
# ANGLE BRACKET



# SV



• Stainless steel angle bracket for applications where corrosion is an issue.



Installation

Material	Finish
304 Stainless Steel	Mirror (M), Satin (S)

Item No.	SV	L	H	C <sub>1</sub>	C <sub>2</sub>	C <sub>3</sub>	C <sub>4</sub>	B	t	d <sub>1</sub>	d <sub>2</sub>	Holes	Load Capacity (kg)	Weight (g)	Box (pcs)	Carton (pcs)	Screw
SV-40/M	SV-40/S	40 (1-39/64")	40 (1-39/64")	34	17	17	-	25.0 (63/64")	3	3.3	6.5	4	8 (18 lbs)	29	40	640	3.1 × 20
SV-55/M	SV-55/S	55 (2-13/64")	55 (2-13/64")	47	18	18	17	36.5 (1-7/16")	3	3.8	7.5	6	8 (18 lbs)	58	20	320	
SV-80/M	SV-80/S	80 (3-5/32")	80 (3-5/32")	71	24	24	27	52.0 (2-3/64")	4	4.3	8.5	6	14 (31 lbs)	162	10	120	

BRACKET



BT, BTK, BTW

SHELF & SUPPORT HARDWARE BRACKETS

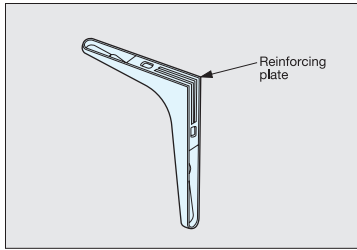
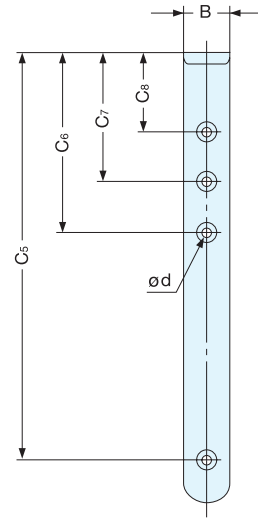
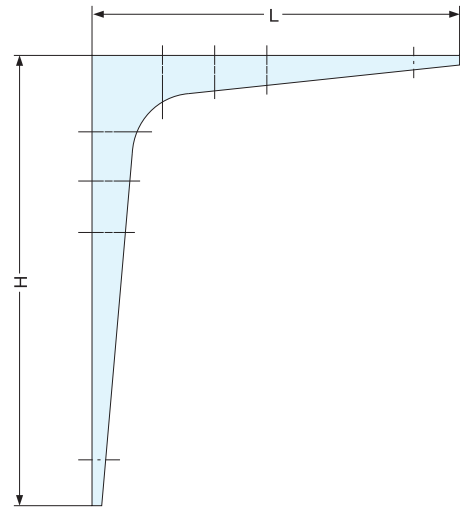
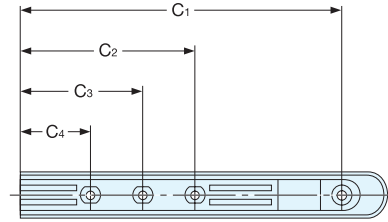
• Stainless steel BT Series (satin finish) or steel BTW and BTK Series (white or black) available.



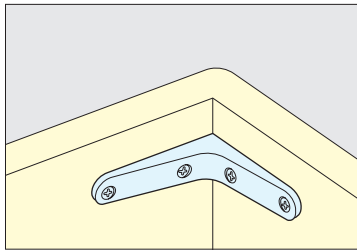
Stainless Steel

White

Black



Reinforcing plate



Installation

Item No.			L	H	B	C <sub>1</sub>	C <sub>2</sub>	C <sub>3</sub>	C <sub>4</sub>	C <sub>5</sub>	C <sub>6</sub>	C <sub>7</sub>	C <sub>8</sub>	d
Stainless	Steel													
BT-85	BTK-85	BTW-85	69.0 ( 2-23/32" )	86.0 ( 3-25/64" )	15 ( 19/32" )	58.0	27.0	-	-	75.0	26.0	-	-	4.0
BT-120	BTK-120	BTW-120	100.0 ( 3-15/16" )	120.0 ( 4-23/32" )		85.0	43.0	-	-	106.0	42.0	-	-	
BT-180	BTK-180	BTW-180	148.5 ( 5-27/32" )	180.5 ( 7-7/64" )		131.0	71.0	50.0	-	162.5	72.5	51.5	-	
BT-240	BTK-240	BTW-240	199.0 ( 7-27/32" )	240.0 ( 9-29/64" )	176.0	91.0	59.0	-	217.0	92.0	60.0	-		
BT-300	BTK-300	BTW-300	238.5 ( 9-25/64" )	301.0 ( 11-27/32" )	206.5	92.5	60.5	-	269.0	95.0	63.0	-	5.0	
BT-380	BTK-380	BTW-380	318.0 ( 12-33/64" )	378.0 ( 14-7/8" )	285.0	145.0	110.0	75	345.0	145.0	110.0	75		
BT-480	BTK-480	BTW-480	400.0 ( 15-3/4" )	480.0 ( 18-29/32" )	360.0	180.0	135.0	90	440.0	180.0	135.0	90		

Item No.			Holes	Load Capacity (kg)	Weight (g)	Box (pcs)	Carton (pcs)
Stainless	Steel						
BT- 85	BTK- 85	BTW- 85	4	15.0 ( 33 lbs)	40	20	240
BT-120	BTK-120	BTW-120		20.0 ( 44 lbs)	60		100
BT-180	BTK-180	BTW-180		25.0 ( 55 lbs)	110		200
BT-240	BTK-240	BTW-240	6	28.0 ( 61 lbs)	200	10	100
BT-300	BTK-300	BTW-300		35.0 ( 77 lbs)	310		40
BT-380	BTK-380	BTW-380	8	65.0 ( 143 lbs)	470	6	60
BT-480	BTK-480	BTW-480		82.5 ( 181 lbs)	1100		

Material (BT)	Finish
304 Stainless Steel	Satin
Material (BTK/BTW)	Finish/Color
Steel	Black (BTK), White (BTW)

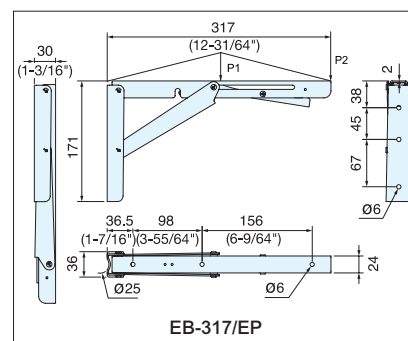
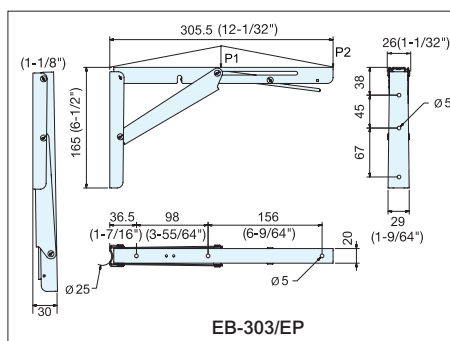
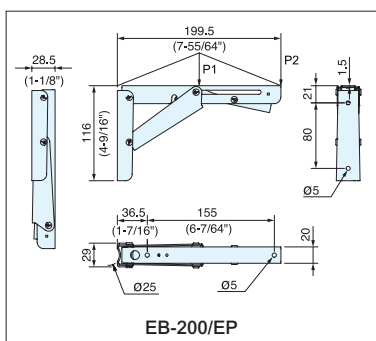
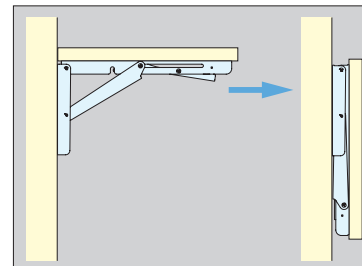
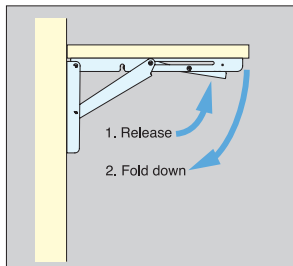
# FOLDING BRACKET



EB



- Automatically locks when flap is in opened position.
- Press lever to release the lock.
- Bracket can be used without the need for hinges.
- Available in 3 different sizes.
- Damper unit EBD available for use with all EB series brackets (sold separately).



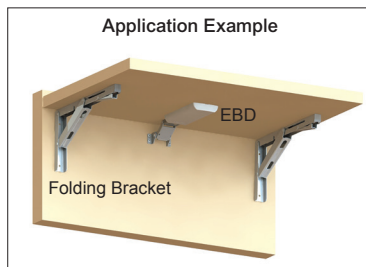
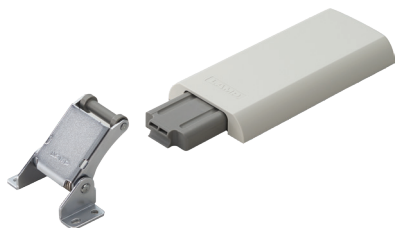
Item No.	Load Capacity P1 (kg)	Load Capacity P2 (kg)	Weight (g)	Carton (pcs)
EB-200/EP	175 (385 lbs)	90 (198 lbs)	330	20
EB-303/EP	150 (330 lbs)	75 (165 lbs)	515	20
EB-317/EP	200 (440 lbs)	100 (220 lbs)	750	20

Part Name	Material
Main Body	304 Stainless Steel
Plate Spring	
Rivet	

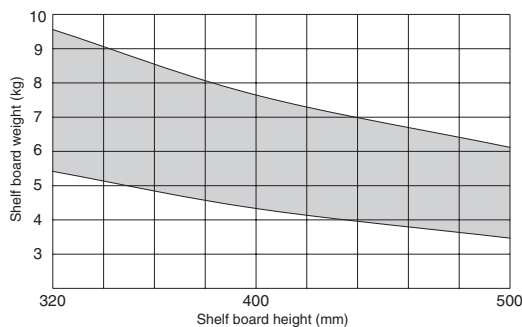
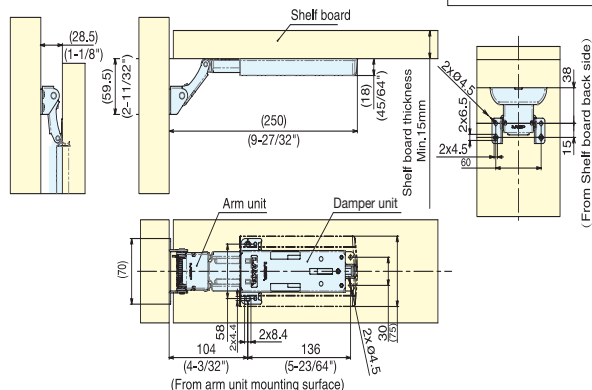
# DAMPER FOR EB FOLDING BRACKET



EBD



- Designed to be used with folding brackets. (EB Series-sold separately)
- Lapcon technology provides soft-close movement downward.
- Easy surface-mount installation.
- Ideal for counter flaps at bars, restaurants and receptions.



Item No.	Torque (kg·cm)	Thickness (mm) Min. Panel	Weight (g)	Box (pcs)	Carton (pcs)
EBD	86.7-153.0 (75.3-132.8 lbs·in)	15	400	1	20

1-800-562-5267  
(U.S.A. Only)

www.sugatsune.com

SHELF & SUPPORT HARDWARE

FOLDING BRACKETS / DAMPER FOR EB FOLDING BRACKET



# FOLDING BRACKET with damper

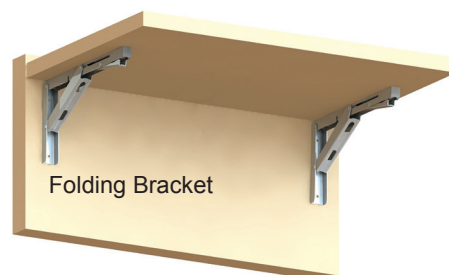


# EB-303/EP-D



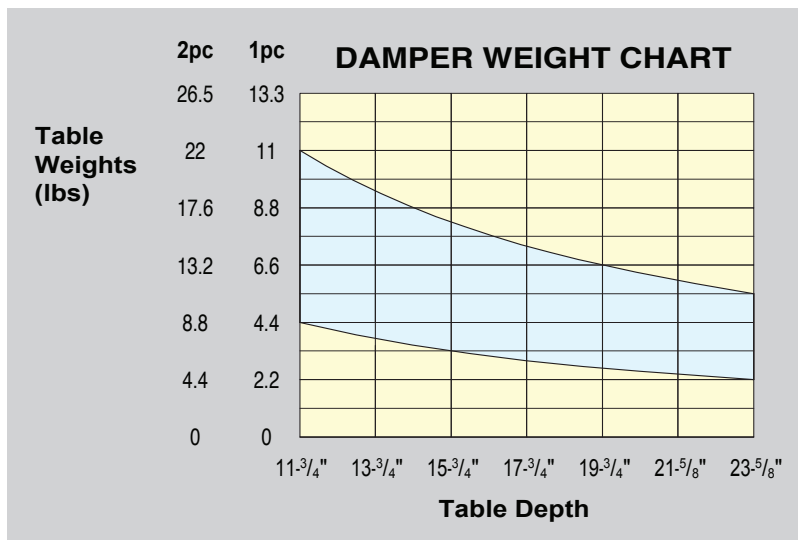
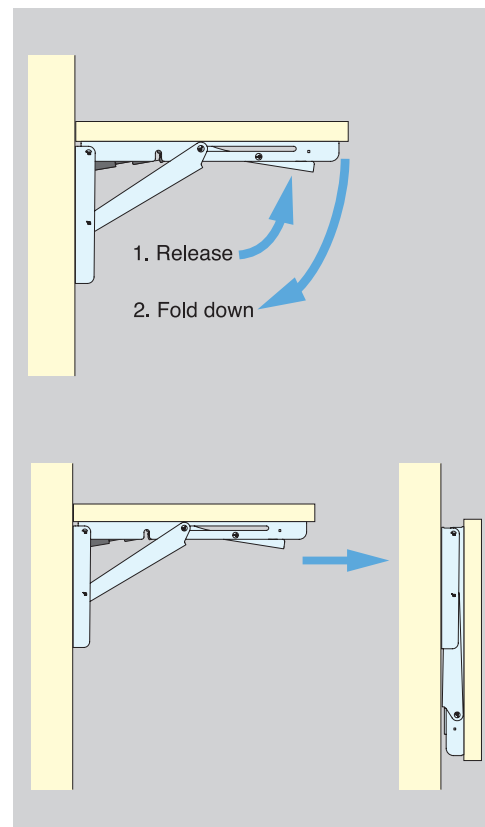
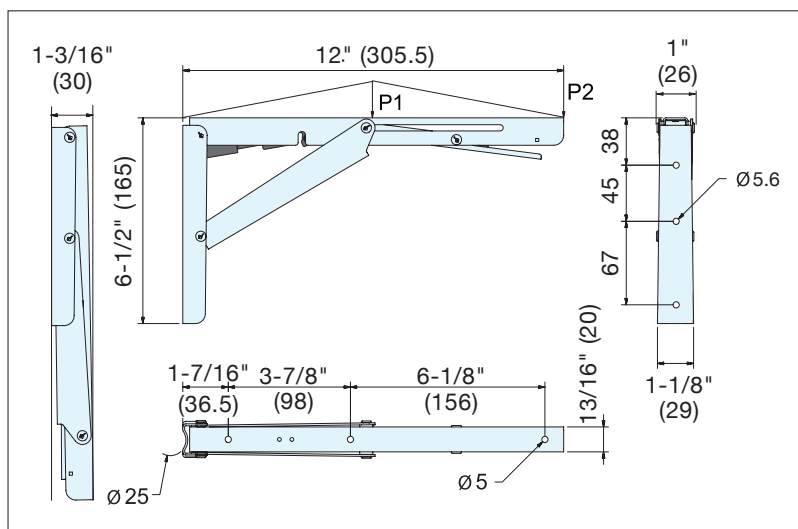
- Automatically locks when flap is in open position.
- Press lever to release the lock.
- Hinges not required.
- Damper unit with a soft-closing feature which makes it smoother and safer.
- Durability tested 50,000 cycles (private).
- Refer to the DAMPER WEIGHT CHART for damper weight capacity.

### Application Example



SHELF & SUPPORT HARDWARE

FOLDING BRACKETS WITH DAMPER



Part Name	Material
Main Body	304 Stainless Steel
Plate Spring	
Rivet	

Item No.	Bracket Load Capacity P1 (kg)	Bracket Load Capacity P2 (kg)	Weight (g)	Carton (pcs)
EB-303/EP-D	150 (330 lbs)	75 (165 lbs)	515	20

# LEVER RELEASE for EB Folding Bracket

SHELF & SUPPORT HARDWARE

LEVER RELEASE FOR EB SERIES FOLDING BRACKETS



- Easy operation with a slide and push mechanism for locking and lever release.
- Lever can be used with either EB-303/EP, EB-303/EP-D, EB-200/EP or EB-317/EP.
- Use to unlock multiple brackets with one-hand operation while maintaining bracket locking feature.
- Connecting bar can be cut to sizes.
- Available for two or three brackets configuration.
- Corrosive resistant aluminum material allows for outdoor use.
- Simple installation, easier support for wide shelves.
- Ideal solution to save space in confined areas.



Side Levers

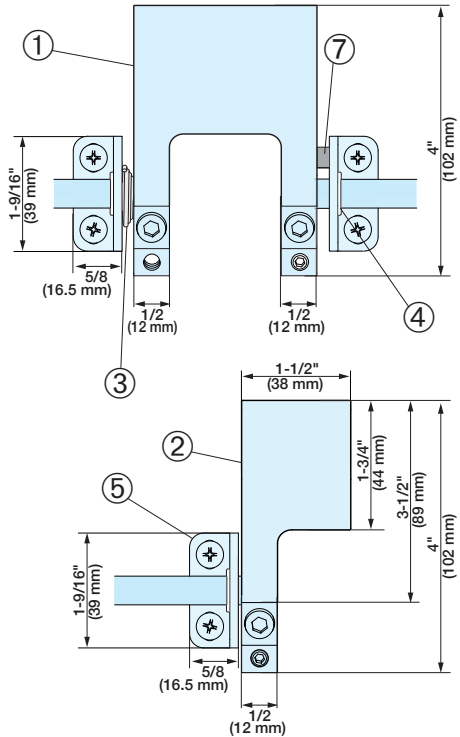
Connecting Lever  
For EB-2000-3 only

Safety Lock Screw

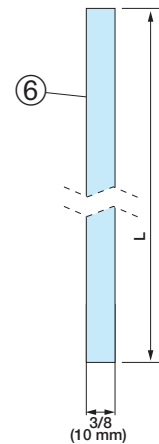
Spring

Holding Bracket

Connecting Rod



No.	Part Name	Material	Finish
1	Connecting Lever	Aluminum	Anodized Aluminum
2	Side Lever		
3	Spring	Stainless Steel	Plain
4	Washer	Plastic	-
5	Holding Bracket	Aluminum	Anodized Aluminum
6	Connecting Rod		
7	Safety Lock Screw	Stainless Steel	Plain

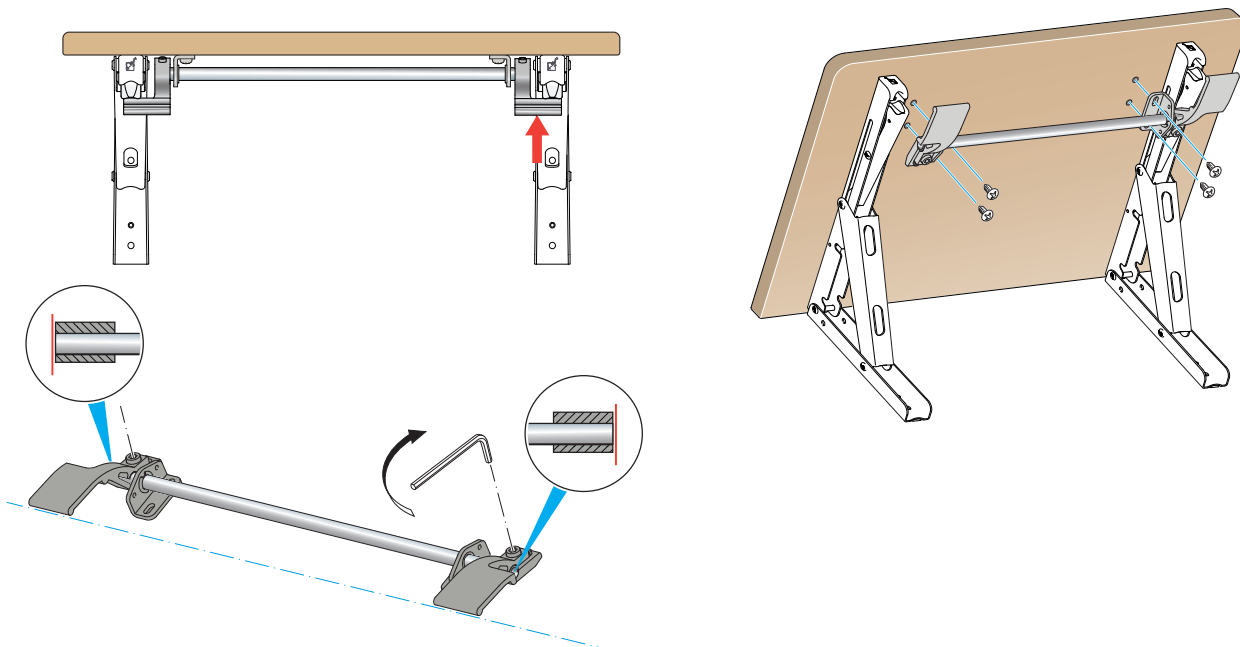




**LEVER RELEASE for EB Folding Bracket**



**EB-1000-2/1500-2**

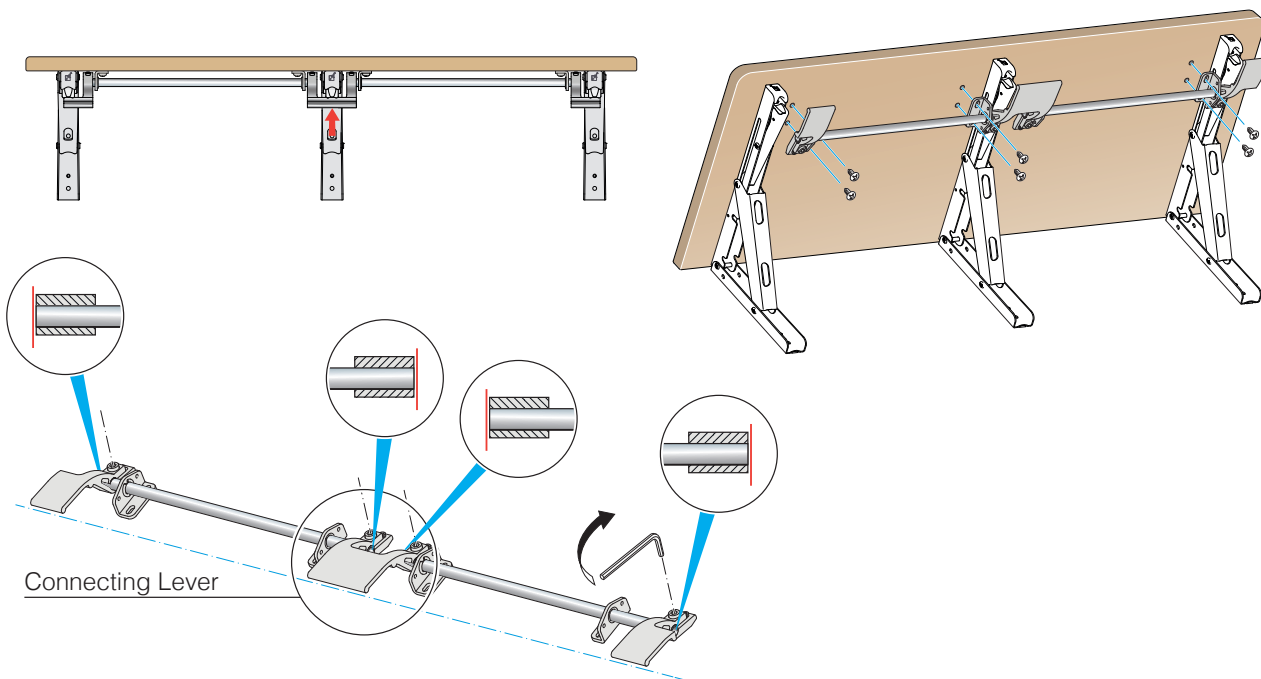


Item No.	Rod Qty	Rod Length (L)	Side Lever Qty	Safety Lock Qty	Holding Bracket Qty	Spring Qty
EB-1000-2	1	39-3/8" (1000 mm)	2	1	3	1
EB-1500-2	1	59-1/16" (1500 mm)	2	1	3	1

**LEVER RELEASE for EB Folding Bracket**



**EB-2000-3**

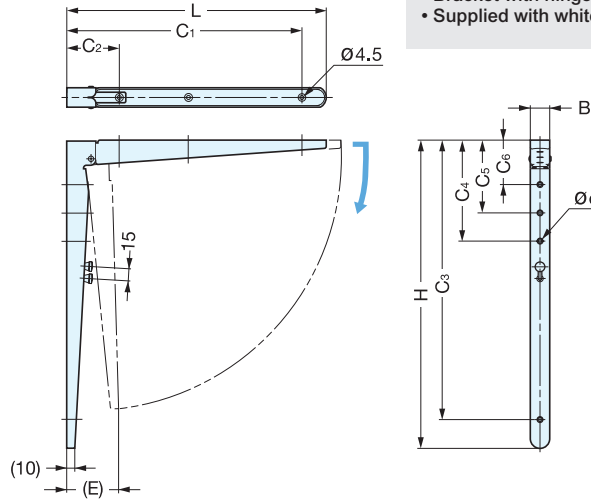


Item No.	Rod Qty	Rod Length (L)	Side Lever Qty	Connecting Lever Qty	Safety Lock Qty	Holding Bracket Qty	Spring Qty
EB-2000-3	2	39-3/8" (1000 mm) each	2	1	1	6	1

# FOLDING BRACKET (W/STOPPER)



**BTO**



- Folding bracket with manual lock lever.
- Slide the lock lever to lock/unlock in open position.
- Bracket with hinge function in one unit.
- Supplied with white painted screws.

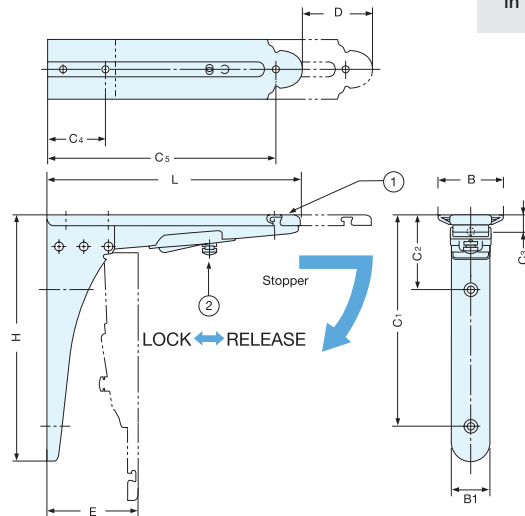
Item No.	L	H	B	(E)	C <sub>1</sub>	C <sub>2</sub>	C <sub>3</sub>	C <sub>4</sub>	C <sub>5</sub>	C <sub>6</sub>	d	t
BTO-300S BTO-300W	241 (9-31/64")	300 (11-13/16")	23 (29/32")	(57)	211	61	270	80	50	-	5	-

Item No.	Load Capacity (kg)	Weight (g)	Box (pcs)	Carton (pcs)	NO.	Part Name	Material	Finish/Color
BTO-300S BTO-300W	40.8 (89.9 lbs)/pc	510	10	40	①	Body	304 Stainless Steel (S)/Steel (W)	Satin (S)/White (W)
					②	Knob	Brass	Plain

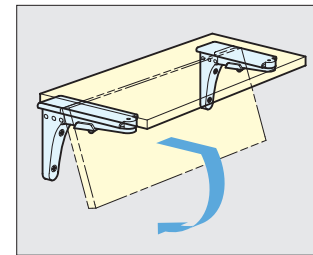
# FOLDING BRACKET (W/STOPPER)



**BOS**



- Folding bracket with locking bracket.
- Slide the locking bracket to lock/unlock in open position.



NO.	Part Name	Material	Finish/Color
①	Body	304 Stainless Steel	Satin
②	Knob	Brass	Nickel
	Cap	EPDM	Black

Item No.	L	H	B	B1	D	E	C <sub>1</sub>	C <sub>2</sub>	C <sub>3</sub>	C <sub>4</sub>	C <sub>5</sub>	Load Capacity (kg)/pc	Weight (g)	Box (pcs)	Carton (pcs)
BOS-180	181 (7-1/8")	181 (7-1/8")	45.5 (1-51/64")	26	50	65	155	56	11.5	42	162	40 (88 lbs)	476	1	20
BOS-240	240 (9-7/16")	250 (9-27/32")			64	81	220	70	15.0	80	215	33 (72 lbs)	770		

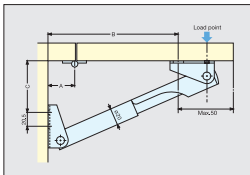
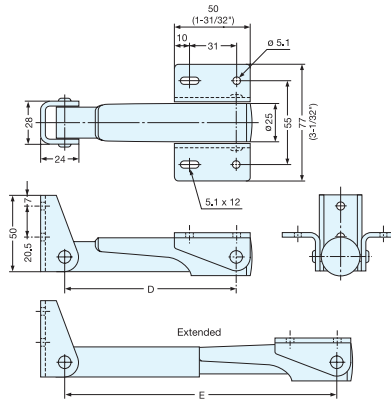
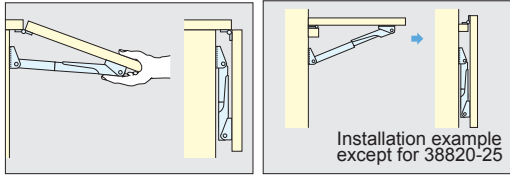
# FOLDING BRACKET



388



- Automatically locks when flap is in opened position.
- Press lever to release the lock.
- For panel thickness 15~35 mm (19/32"~1-3/8")
- Required Quantity:
  - Width up to 600 mm (23-5/8")...1 pc
  - Width 600~1300 mm (23-5/8"~51-3/16")...2 pcs



Material	Finish/Color
Aluminum	Anodized
	Black (BLK)

Item No.	A	B	C	D	E	Load Capacity (kg)	Weight (g)	Box (pcs)	Carton (pcs)
38820-25	25~30	161	15	114.0	180.0	35 ( 77 lbs )	149	5	50
38820-25/BLK									
38830-25	25~39	252	45	168.0	275.9	55 ( 121 lbs )	187		
38830-25/BLK									
38845-25	25~50	402	87	258.5	430.8	60 ( 132 lbs )	266		
38845-25/BLK								5	50
38860-25	25~40	549	137	368.5	585.8	80 ( 176 lbs )	342	5	30
38860-25/BLK								5	50

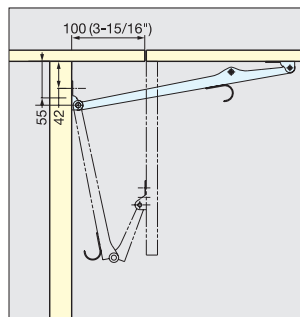
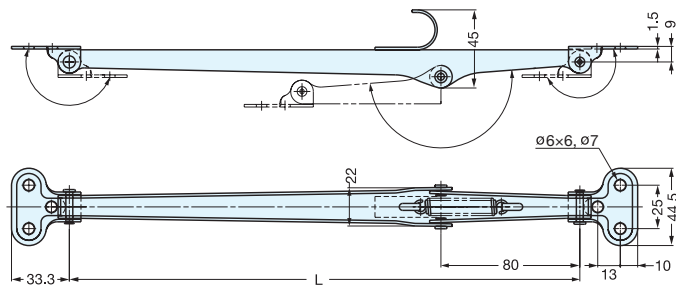
# SPRING LOADED BRACKET



GTS-300



- Spring loaded for lift assist feature.
- Pull the knob to fold down.
- Max. depth of shelf is 450 mm (17-3/4")
- Max. width of shelf is 300 mm (11-13/16")



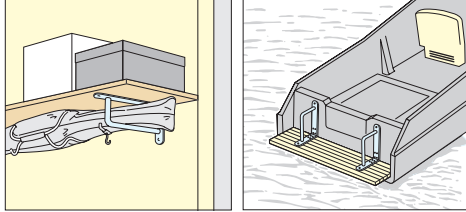
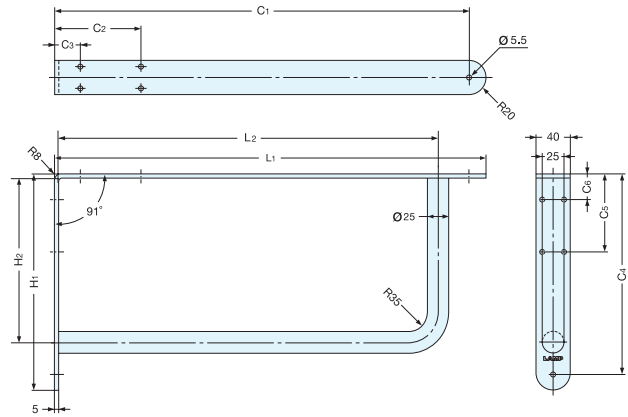
Material	Finish
304 Stainless Steel	Satin

Item No.	L	Load Capacity (kg)	Weight (g)	Box (pc)	Carton (pcs)
GTS-300	294 (11-37/64")	3 (6.6 lbs)/pc, 6 (13 lbs)/2pcs	190	12	96

BRACKET



BY



Installation

Material	Finish
304 Stainless Steel	Mirror

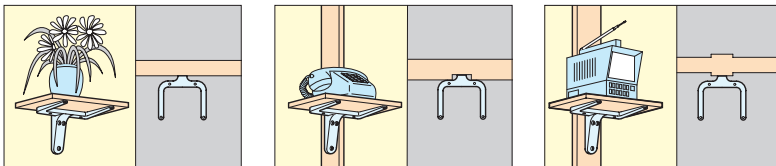
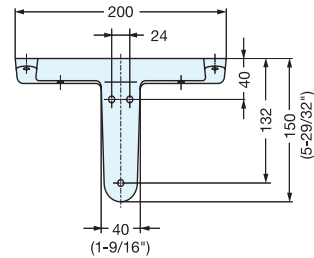
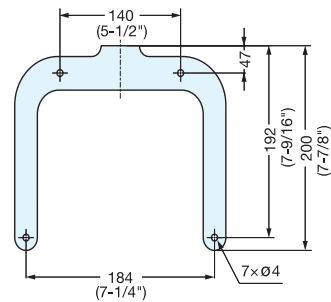
Item No.	L1	L2	H1	H2	C1	C2	C3	C4	C5	C6	Holes	Screw
BY-300	300 ( 11-13/16" )	240	150 ( 5-29/32" )	90	280	100	30	130	-	30	8	5 × 25, 5 × 16
BY-400	400 ( 15-3/4" )	340	200 ( 7-7/8" )	140	380	120		180	90		10	
BY-500	500 ( 19-11/16" )	440	250 ( 9-27/32" )	190	480	160		230				

Item No.	Load Capacity (kg)	Weight (g)	Box (pcs)	Carton (pcs)
BY-300	50 (110 lbs)/pc	1100	2	6
BY-400		1400		
BY-500		1800		

FORK BRACKET



BU-200



Sample Installation

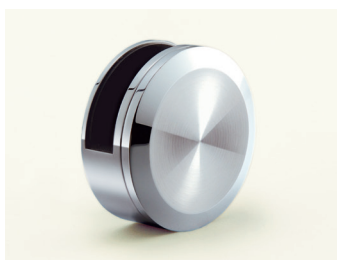
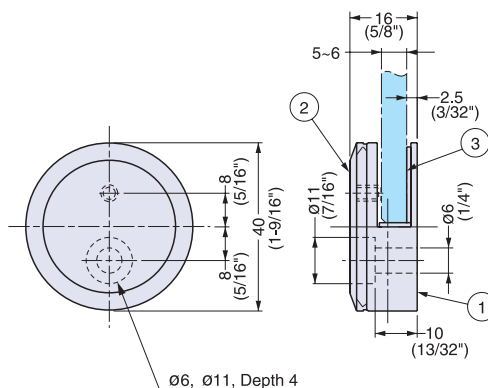
Material	Finish
Aluminum	Ivory/Black

Item No.	Load Capacity (kg)	Weight (g)	Box (pcs)	Carton (pcs)
BU200-I	30 (66 lbs)	280	10	100
BU200-B				

# Zwei L Mirror Support



ZL-3102-40



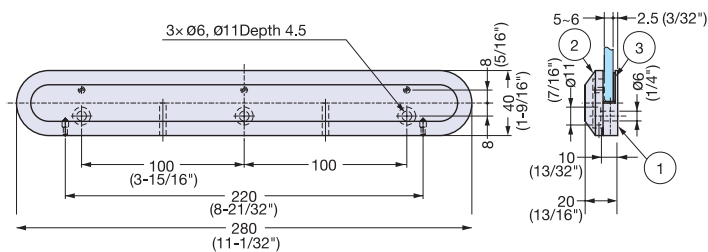
Item No.	Mirror Thickness (mm)	Box (pcs)
ZL-3102-40	5-6 (3/16"~15/64")	4

No.	Part Name	Material	Finish/Color
①	Body	316 Stainless Steel	Zwei L
②	Cover		
③	Bumper	Synthetic Rubber	Black

# Zwei L Mirror Support



ZL-3101-200



Item No.	Mirror Thickness (mm)	Box (pcs)
ZL-3101-200	5-6 (3/16"~15/64")	2

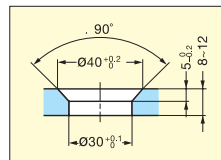
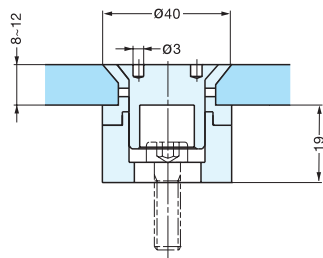
No.	Part Name	Material	Finish/Color
①	Body	316 Stainless Steel	Zwei L
②	Cover		
③	Bumper	Synthetic Rubber	Black



GLASS STANDOFF



7000VA



Cut Out Dimension

- Flush mount type glass standoff.
- Recommended Screw Size: M8 bolt
- Longer base 80~180 mm (3-5/32"~7-3/32") available as special order.
- Recommended for use with tempered glass.



Z058  
\* Special wrench Z058 required for installation. (Sold Separately)

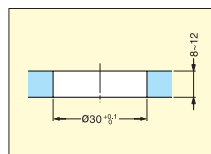
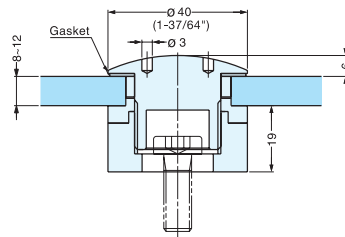
Item No.	Glass Thickness (mm)	Weight (g)	Box (pcs)	Carton (pcs)	Material	Finish
7000VA	8~12	167	4	40	302 Stainless Steel/Aluminum	Satin



GLASS STANDOFF



7005VA



Cut Out Dimension

- Glass standoff with round face plate.
- Recommended Screw Size: M8 bolt
- Longer base 80~180 mm (3-5/32"~7-3/32") as special order.
- Recommended for use with tempered glass.



Z058  
\* Special wrench Z058 required for installation. (Sold Separately)

Item No.	Glass Thickness (mm)	Weight (g)	Box (pcs)	Carton (pcs)	Material	Finish
7005VA	8~12	192	4	40	302 Stainless Steel/Aluminum	Satin



# GLASS STANDOFF



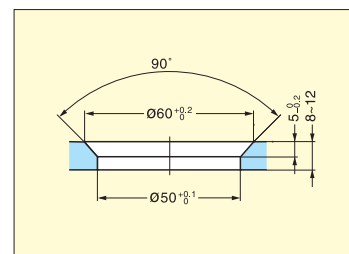
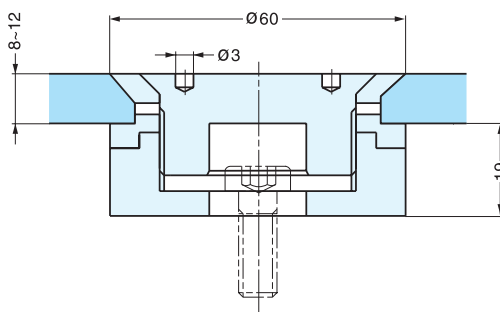
7010VA



- Flush mount type glass standoff.
- Recommended Screw Size: M8 bolt
- Recommended for use with tempered glass.



Z058  
\* Special wrench Z058 required for installation. (Sold Separately)



Cut Out Dimension

Item No.	Glass Thickness (mm)	Weight (g)	Box (pcs)	Carton (pcs)	Material	Finish
7010VA	8~12	435	4	40	302 Stainless Steel/Aluminum	Satin



# GLASS STANDOFF



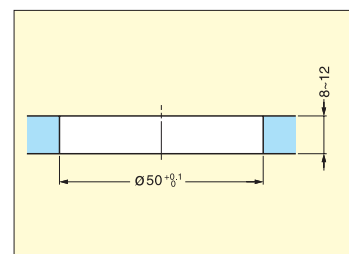
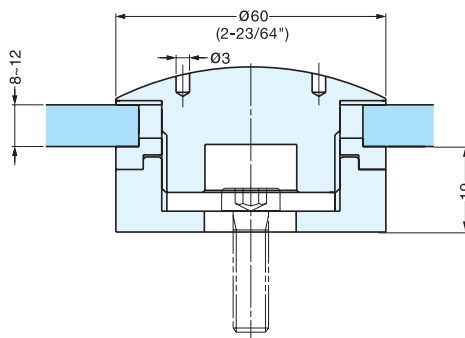
7015VA



- Glass standoff with round face plate.
- Recommended Screw Size: M8 bolt
- Recommended for use with tempered glass.



Z058  
\* Special wrench Z058 required for installation. (Sold Separately)



Cut Out Dimension

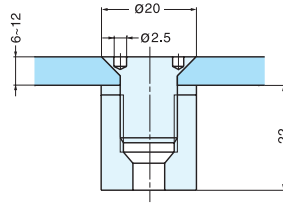
Item No.	Glass Thickness (mm)	Weight (g)	Box (pcs)	Carton (pcs)	Material	Finish
7015VA	8~12	520	4	40	302 Stainless Steel/Aluminum	Satin



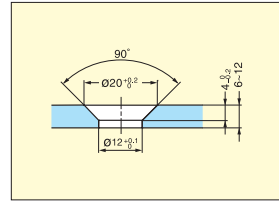
## GLASS STANDOFF



7060EO



- Flush mount type glass standoff.
- Recommended Screw Size: M5 bolt
- Recommended for use with tempered glass.



Cut Out Dimension



Z059  
\* Special wrench Z059 required for installation. (Sold Separately)

Item No.	Glass Thickness (mm)	Weight (g)	Box (pcs)	Carton (pcs)
7060EO	6~12	23	10	100

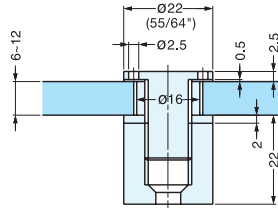
Material	Finish
Aluminum	Anodized



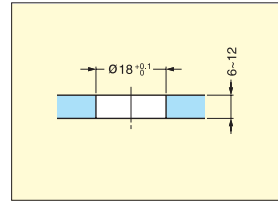
## GLASS STANDOFF



7061VA



- Glass standoff with flat face plate.
- Recommended Screw Size: M5 bolt
- Recommended for use with tempered glass.



Cut Out Dimension



Z059  
\* Special wrench Z059 required for installation. (Sold Separately)

Item No.	Glass Thickness (mm)	Weight (g)	Box (pcs)	Carton (pcs)
7061VA	6~12	69	10	100

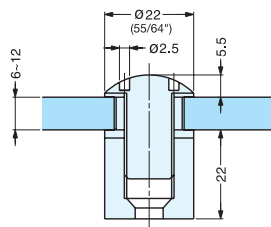
Material	Finish
304 Stainless Steel	Satin



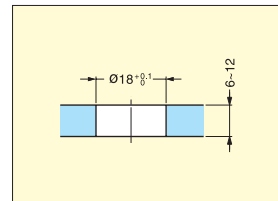
## GLASS STANDOFF



7062VA



- Glass standoff with round face plate.
- Recommended Screw Size: M5 bolt
- Recommended for use with tempered glass.



Cut Out Dimension



Z059  
\* Special wrench Z059 required for installation. (Sold Separately)

Item No.	Glass Thickness (mm)	Weight (g)	Box (pcs)	Carton (pcs)
7062VA	6~12	71	10	100

Material	Finish
304 Stainless Steel	Satin

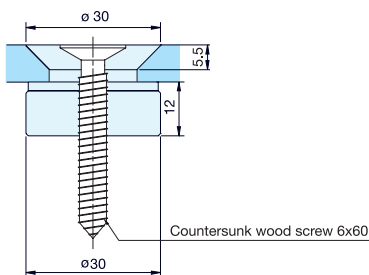




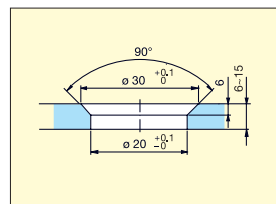
# GLASS STANDOFF



7051EO



- Flush mount type glass standoff.
- Recommended for use with tempered glass.



Cut Out Dimension

Item No.	Glass Thickness (mm)	Weight (g)	Box (pcs)	Carton (pcs)
7051EO	6~15	67	10	100

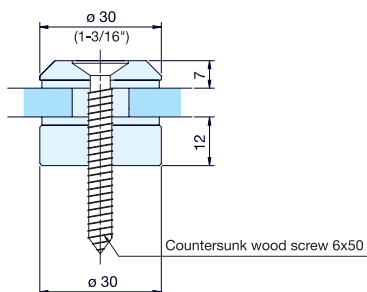
Material	Finish
304 Stainless Steel/Aluminum	Satin



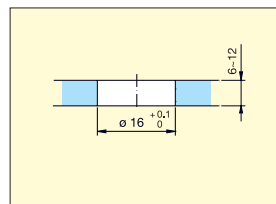
# GLASS STANDOFF



7083VA



- Glass standoff with round face plate.
- Recommended for use with tempered glass.



Cut Out Dimension

Item No.	Glass Thickness (mm)	Weight (g)	Box (pcs)	Carton (pcs)
7083VA	6~12	84	10	100

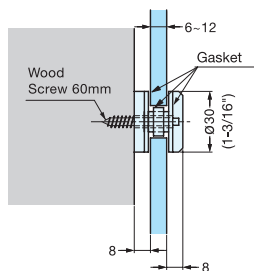
Material	Finish
304 Stainless Steel	Satin



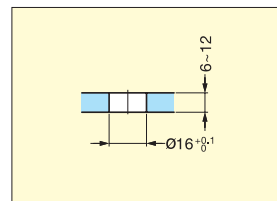
# GLASS STANDOFF



4872



- Glass standoff with plain flat face plate.
- Supplied with 60 mm length wood screw.
- Recommended for use with tempered glass.



Cut Out Dimension



Z057  
\* Special wrench Z057 required for installation. (Sold Separately)

Item No.	Glass Thickness (mm)	Weight (g)	Box (pcs)	Carton (pcs)
4872ZN1	6~12	80	10	100
4872ZN5				

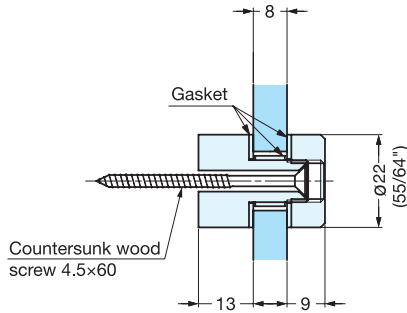
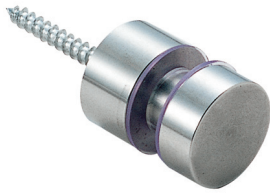
Material	Finish
Zinc Alloy	Matte Chrome
	Chrome



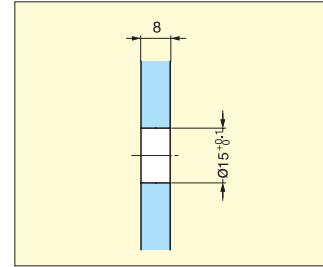
## GLASS STANDOFF



## 7120VA



- Small stand off with cover cap.
- Supplied with flat head wood screw 4.5 x 60.
- Recommended for use with tempered glass.



Cut Out Dimension

Item No.	Glass Thickness (mm)	Weight (g)	Box (pcs)	Carton (pcs)
7120VA	8	62	10	100

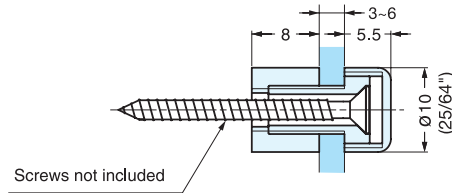
Material	Finish
304 Stainless Steel	Satin



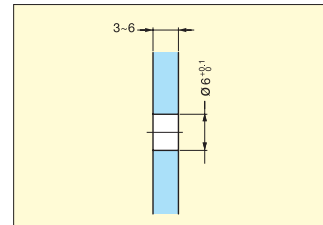
## GLASS STANDOFF



## 7140E1EV1



- Mini stand off with cover cap.
- Screw not supplied.
- Recommended for use with tempered glass.
- Recommended screw size: M3



Cut Out Dimension

Item No.	Glass Thickness (mm)	Weight (g)	Box (pcs)	Carton (pcs)
7140E1EV1	3-6	3	10	100

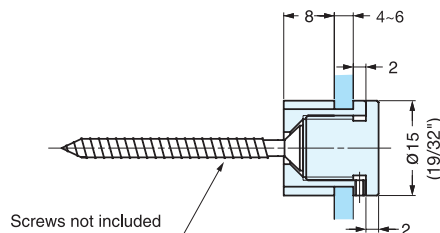
Material	Finish
Aluminum/Brass	Anodized/Nickel Plated



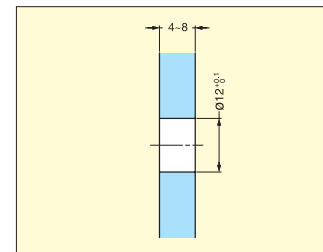
## GLASS STANDOFF



## 7144E1EV1



- Small stand off with cover cap.
- Screw not supplied.
- Recommended for use with tempered glass.
- Recommended screw size: M4



Cut Out Dimension

Item No.	Glass Thickness (mm)	Weight (g)	Box (pcs)	Carton (pcs)
7144E1EV1	4-8	5	10	100

Material	Finish
Aluminum	Anodized

Stainless Steel Shelf Supports

SPH-1820  
(HEAVY DUTY)

NSF COMPONENT, RoHS, STAINLESS 304 STEEL, Page 488~489



SPH-20  
286lbs/4pcs



SPH-5  
286lbs/4pcs



SPH-15  
286lbs/4pcs



SP-18E

SPHL-1820  
(HEAVY DUTY)

NSF COMPONENT, RoHS, STAINLESS 304 STEEL, Page 495



SPHL-25  
330lbs/4pcs



SPHL-30  
330lbs/4pcs

SPN-1820  
(NARROW PROFILE)

RoHS, Page 496



SPN-15  
176lbs/4pcs



SPN-17EC

SP-1820  
(HEAVY DUTY)

NSF COMPONENT, RoHS, STAINLESS 304 STEEL, Page 490~492



SPB-15R 220lbs/4pcs



SPB-20 99lbs/4pcs



SPF-20 176lbs/4pcs



SPF-20A



SPF-20LC



SPB-35 11lbs/pc



SPB-200 22lbs/per pair

SM-1820  
(COVERED SLOT)

NSF COMPONENT, RoHS, STAINLESS 304 STEEL, Page 493



SMB-15R  
198lbs/4pcs



SPM-20B  
132lbs/4pcs

SPW-1820  
(COVER-STRIP)

STAINLESS 430 STEEL, RoHS, Page 497



SPW-20  
176lbs/4pcs



SPW-EC20

SPE-1820  
(THIN PROFILE)

RoHS, STAINLESS 304 STEEL, Page 494

SPE-FB20S  
176lbs/4pcs



SPE-FC20

Aluminium Shelf Supports

AP-DM, AP-DH

ALUMINIUM, Page 498~499



AP-FB20  
99lbs/4pcs



AP-EC20



AP-FC20

FSL-Series  
(Adjustable Mount)

STAINLESS 430 STEEL, RoHS, Page 499.1-499.2



FSL-V36



FSL-MB



FSL-S4

FSL-L

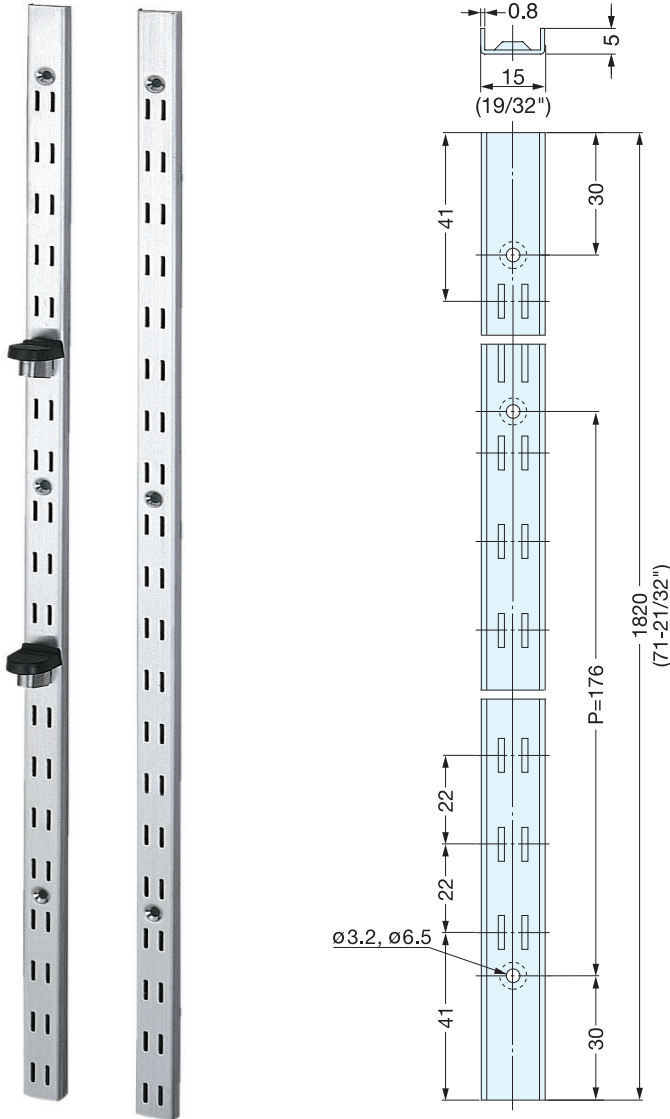
# SHELF STANDARD



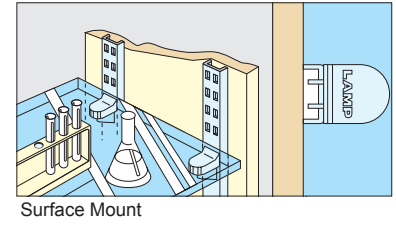
# SPH-1820

SHELF & SUPPORT HARDWARE

SHELF STANDARDS / SHELF SUPPORTS



- Easy height adjustment for changing shelf level.
- Shelf support options:  
SPH-5, SPH-15, SPH-20 (Shelf Supports) SP-18E (End Cap)



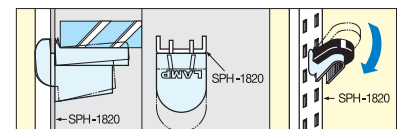
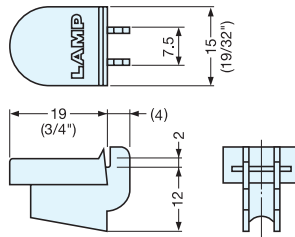
Item No.	Weight (g)	Box (pcs)	Material	Finish
SPH-1820	230	80	304 Stainless Steel	Satin

# SHELF SUPPORT



# SPH-20

- Shelf support for SPH-1820.
- Rubber pad provides a gripped surface to reduce slippage.



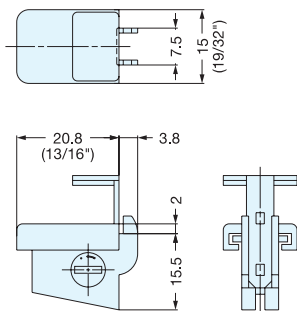
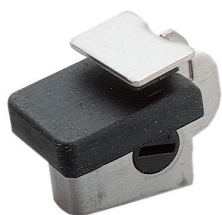
Item No.	Load Capacity (kg)	Weight (g)	Box (pcs)	Carton (pcs)
SPH-20	130 (286 lbs)/4 pcs	4.5	300	3000

Material	Finish/Color
304 Stainless Steel	Satin
Synthetic Rubber Pad	Black

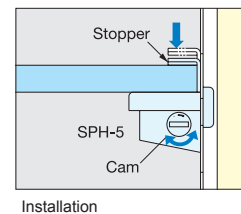
# SHELF SUPPORT (W/HOLDER)



## SPH-5



- Shelf support for SPH-1820.
- Shelf support is friction retention.
- Glass thickness: 4-8 mm (5/32"-5/16") thickness
- Rubber pad provides a gripped surface to reduce slippage.



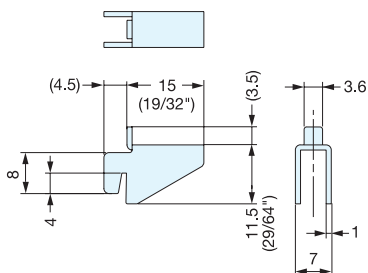
Item No.	Load Capacity (kg)	Weight (g)	Box (pcs)	Carton (pcs)
SPH-5	130 (286 lbs)/4 pcs	8	100	1000

Material	Finish/Color
304 Stainless Steel	Satin
Synthetic Rubber pad	Black

# SHELF SUPPORT



## SPH-15



- Shelf support for SPH-1820.

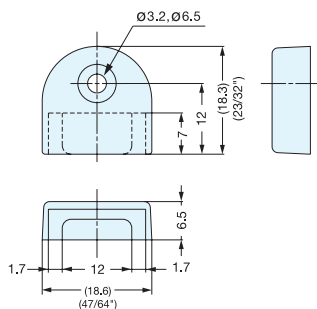
Item No.	Load Capacity (kg)	Weight (g)	Box (pcs)	Carton (pcs)
SPH-15	130 (286 lbs)/4 pcs	2.6	400	4000

Material	Finish
304 Stainless Steel	Satin

# END CAP



## SP-18E



- End cover cap for SPH, SM, SP, SPW shelf standards.

Item No.	Weight (g)	Box (pcs)	Carton (pcs)
SP-18E/BLK	1.3	500	5000
SP-18E/WHT			

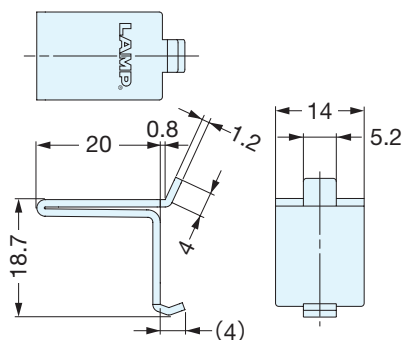
Material	Color
ABS	Black (BLK), White (WHT)



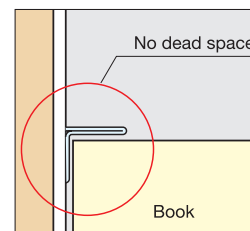
# SHELF SUPPORT



# SPF-20



- Shelf support for SP-1820.
- Designed to eliminate dead space.



Installation

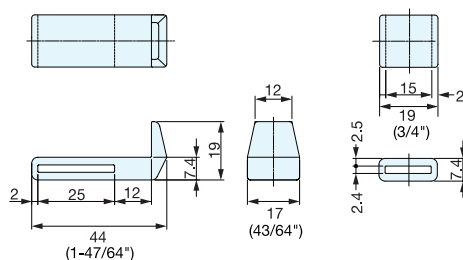
Item No.	Load Capacity (kg)	Weight (g)	Box (pcs)	Carton (pcs)
SPF-20	80 (176 lbs)/4 pcs	7	300	3000
SPF-20WT				

Material	Finish/Color
304 Stainless Steel	Satin, White

# SHELF HOLDER

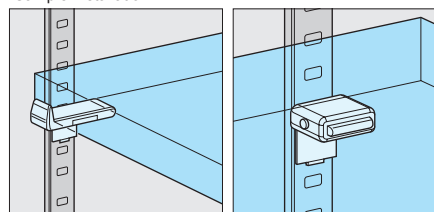


# SPF-20A



- Plastic holder to keep the shelf in position.
- Used together with SPF-20. (sold separately)
- Distance from center of front shelf support to front shelf edge is 18~30 mm. (adjustable)
- One each of front and back holder sold as set.

Sample Installation



Front

Back

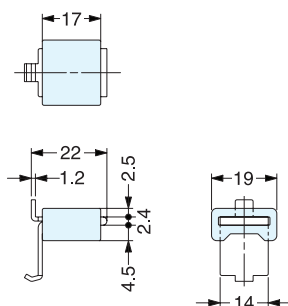
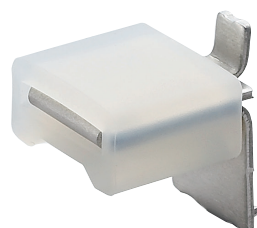
Item No.	Weight (g)	Box (pcs)	Carton (pcs)
SPF-20A	4	100	2500

Material	Color
Polyethylene	White

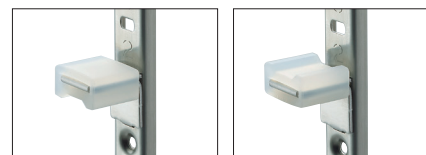
# SHELF SUPPORT WITH LEVELING CAP



# SPF-20LC



- Includes both shelf support (SPF-20) & leveling cap.
- Shelf level can be adjusted by flipping over the cap.



Item No.	Weight (g)	Box (pcs)	Carton (pcs)
SPF-20LC	9.5	200	2000

Part Name	Material	Finish/Color
Cap	Silicone	Milky White
Body	304 Stainless Steel	Satin

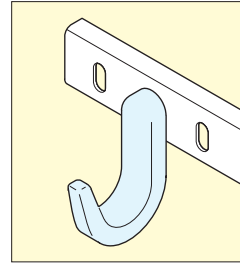
# SHELF HOOK



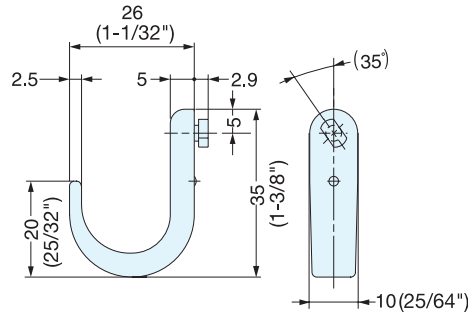
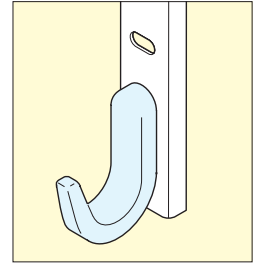
# SPB-35



- Hook for SP-1820.
- Can be used with a vertical or horizontal standard.



Installation



Item No.	Load Capacity (kg)	Weight (g)	Box (pcs)	Carton (pcs)	Material	Finish
SPB-35	5 (11 lbs)/pc	15.5	150	450	Zinc Alloy	Nickel

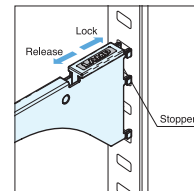
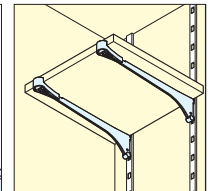
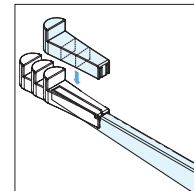
# BRACKET



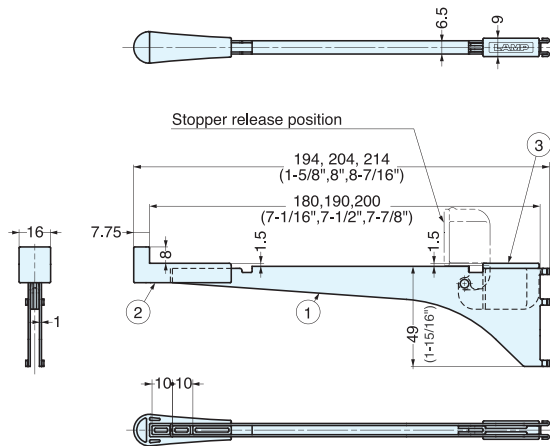
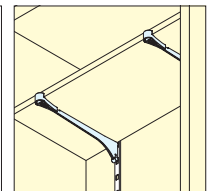
# SPB-200



- For SP and SPS series shelf standards.
- Use 2 or 3 pcs for installing 1 shelf.
- With holder to simply fix shelf.
- Able to adjust depth in 3 different positions.
- With drop off prevention function.
- Can be used with a glass shelf.
- Maximum size of shelf board is With 900 x Depth 200.



Installation



No.	Part Name	Material	Finish/Color
①	Main Body	304 Stainless Steel	Satin
②	Shelf Retainer Clip	Polypropylene	White
③	Base Hook		

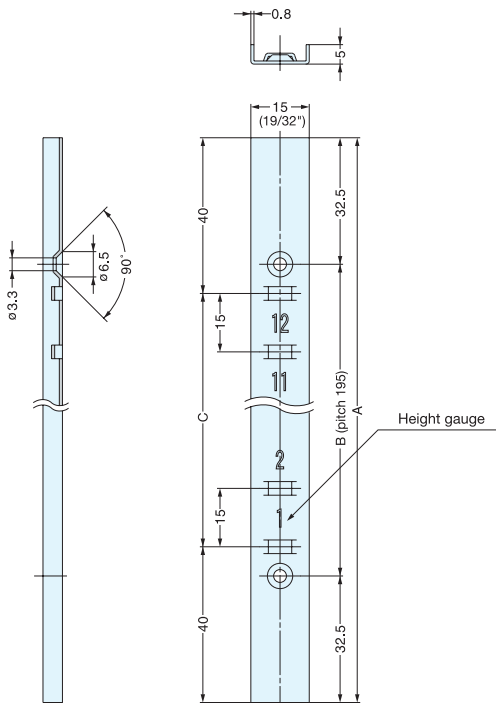
Item No.	Load Capacity (kg)/2pcs	Load Capacity (kg)/3pcs	Weight (g)	Box (pcs)	Carton (pcs)
SPB-200	10 (22 lbs)	15 (33 lbs)	65	50	200



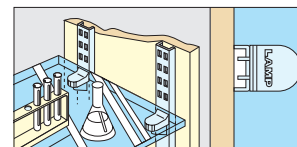
# SHELF STANDARD



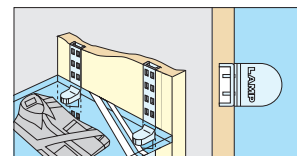
# SM-1820



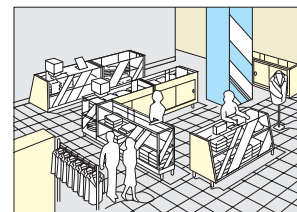
- Easy height adjustment for changing shelf level.
- Shelf support/Accessory options: SMB-15R, SPM-20B. (shelf support) SP-18E, SPW-EC20 (end cap)



Surface Mount



Mortise Mount



Installation

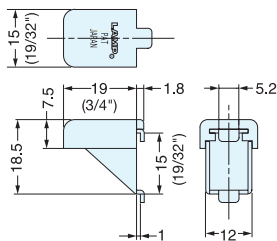
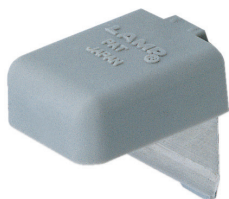
Item No.	A	B	C	Weight (g)	Box (pcs)
SM-1820	1820 (71-21/32")	1755	1740	245	60

Material	Finish
304 Stainless Steel	Satin

# SHELF SUPPORT



# SMB-15R



- Shelf support for SM-1820.
- Shelf support is friction retention type.

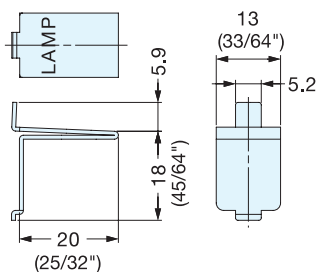
Item No.	Load Capacity (kg)	Weight (g)	Box (pcs)	Carton (pcs)
SMB-15R	90 (198 lbs)/4 pcs	6	300	3000

Material	Finish/Color
304 Stainless Steel	Satin
Elastomer	Grey

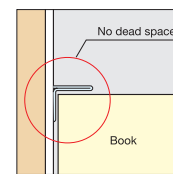
# SHELF SUPPORT



# SPM-20B



- Shelf support for SM-1820.
- Designed to eliminate dead space.



Installation

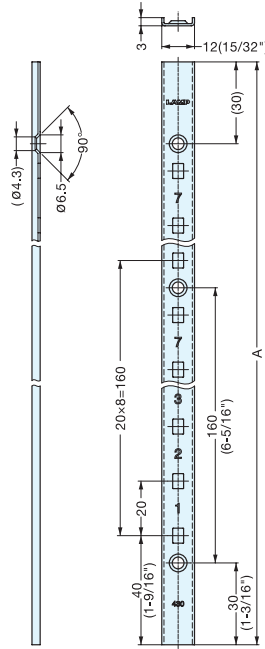
Item No.	Load Capacity (kg)	Weight (g)	Box (pcs)	Carton (pcs)
SPM-20B	60 (132 lbs)/4 pcs	5	300	3000

Material	Finish
304 Stainless Steel	Satin

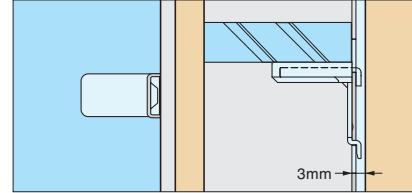
# THIN SHELF STANDARD



# SPE-1820



- 430 stainless steel shelf standard, available in Plain, White (WT) or Black (BL) finish.
- Use with SPE-FB20S shelf supports and AP-EC20 end caps (both sold separately)



Item No.	Length	Weight (g)	Box (pcs)
SPE-1820	1820 mm (71-5/8")	156	100
SPE-1820WT			
SPE-1820BL			

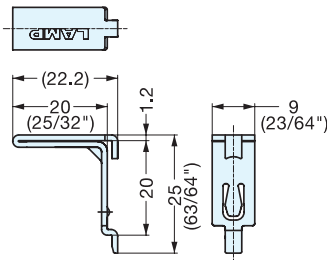
Material	Finish
430 Stainless Steel	Plain, White (WT), Black (BL)

# SHELF SUPPORT / CAP



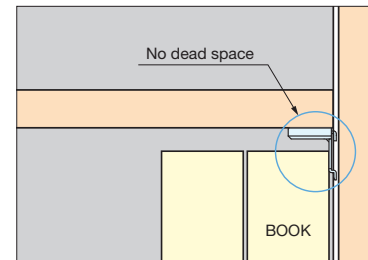
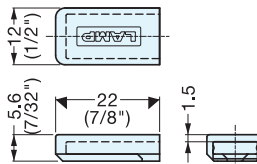
# SPE-FB20S, SPE-FC20

### ■ SHELF SUPPORT



- SPE-FB20S available in Plain, White (WT) or Black (BL) finish.
- Use with SPE-1820 shelf standards and SPE-FC20 support caps (both sold separately).

### ■ CAP



Item No.	Load Capacity (kg)	Weight (g)	Box (pcs)	Carton (pcs)
SPE-FB20S	80 (176 lbs)/4 pcs	5	300	3000
SPE-FB20SWT				
SPE-FB20SBL				
Item No.	Weight (g)	Box (pcs)	Carton (pcs)	
SPE-FC20	1	300	3000	
SPE-FC20BL				

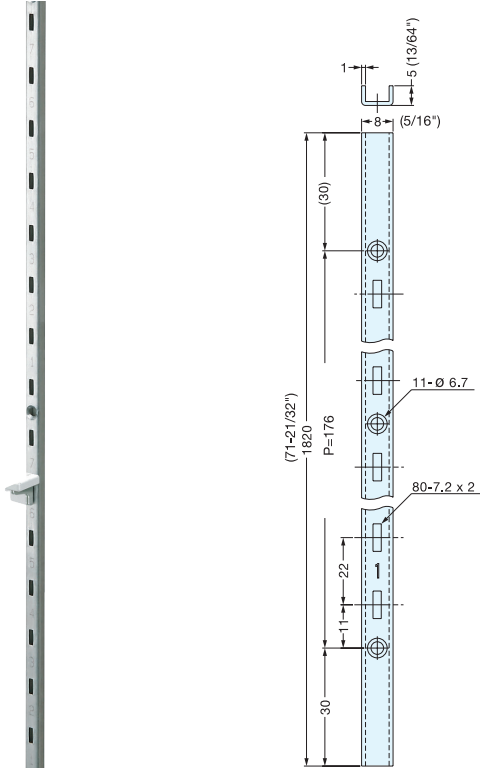
■ SHELF SUPPORT	
Material	Finish
430 Stainless Steel	Plain, White (WT), Black (BL)
■ CAP	
Material	Finish
Elastomer (TPE)	Light Grey, Black (BL)



# NARROW SHELF STANDARD



## SPN-1820



- Unique slim 8 x 5 profile.
- Easy to cut to desired length.
- Slim 8 mm profile.
- Shelf support options:
  - SPN-15 (Shelf Support), SPN-17EC (End Cap)

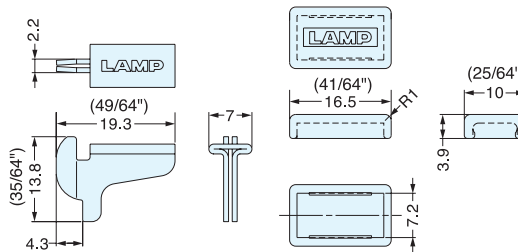
Material	Finish
430 Stainless Steel	Satin

Item No.	Length (mm)	Hole	Weight (g)	Box (pcs)
SPN-1820	1820 (71-21/32")	11	205	60

# SHELF SUPPORT



## SPN-15



- Shelf support for SPN-1820.

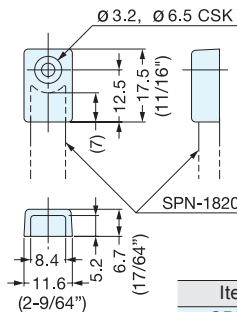
Item No.	Material	Color	Weight (g)	Box (pcs)	Carton (pcs)
SPN-15C	Elastamer	White	0.5	400	4000

Item No.	Material	Finish	Load Capacity (kg)	Weight (g)	Box (pcs)	Carton (pcs)
SPN-15	304 Stainless Steel	Plain	80 (176 lbs)/4 pcs	2	400	4000

# END CAP



## SPN-17



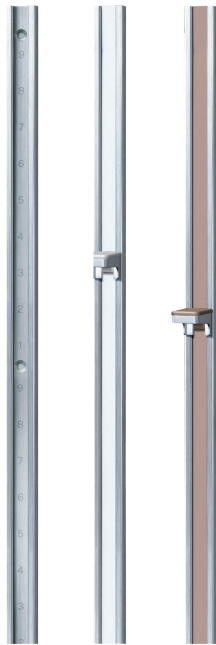
- End cap for SPN-1820.

Item No.	Material	Color	Weight (g)	Box (pcs)	Carton (pcs)
SPN-17EC	Polypropylene	White	0.9	400	4000

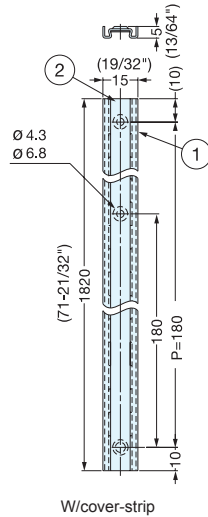
# COVERED SHELF STANDARD



# SPW-1820

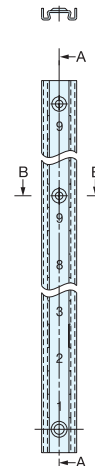


Standard Cover-strips

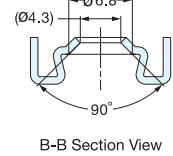


W/cover-strip

- Screw holes and slots are concealed when used with cover-strip (SPW-CV).
- Shelf supports and cover strips sold separately.
- End cap options: SP-18E, SPW-EC20.



W/O cover-strip A-A



B-B Section View

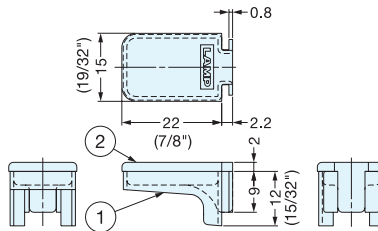
No.	Item No.	Material	Finish
①	SPW-1820	430 Stainless Steel	Satin
②	SPW-CV1820	PVC Plasic	White/Brown

Item No.	Part Name	Length (mm)	Finish	Hole	Weight (g)	Box (pcs)
SPW-1820	Shelf Standard	1820 (71-21/32")	Satin	11	335	60
Item No.	Part Name	Length (mm)	Color	Weight (g)	Box (pcs)	
SPW-CV1820-WT	Cover Strip	1820 (71-21/32")	White	8	20	
SPW-CV1820-BR			Brown			

# SHELF SUPPORT



# SPW-20



- Shelf support for SPW-1820.

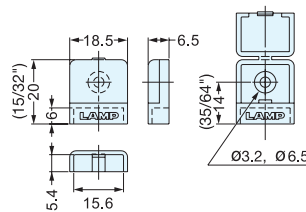
No.	Part Name	Material	Finish
①	Housing	304 Stainless Steel	Plain
②	Cover	Elastomer	White/Brown

Item No.	Color	Load Capacity (kg)	Weight (g)	Box (pcs)	Carton (pcs)
SPW-20-WT	White	80 (176 lbs)/4pcs	4.5	200	2000
SPW-20-BR	Brown				

# END CAP



# SPW-EC20



- End cap for SPW, SP, SM and SPH shelf standards.

Item No.	Material	Color	Weight (g)	Box (pcs)	Carton (pcs)
SPW-EC20-WT	Polypropylene	White	2	400	4000
SPW-EC20-BR		Brown			

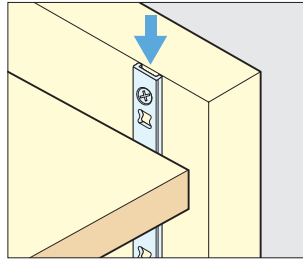
# SHELF STANDARD



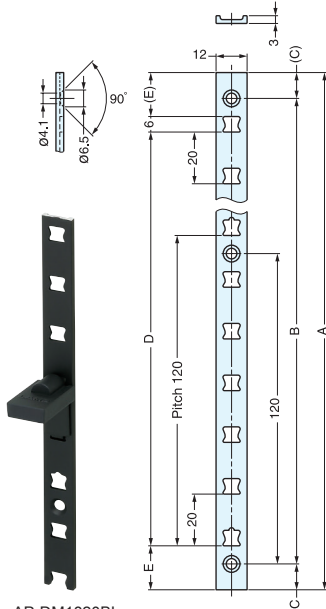
# AP-DM, AP-DH

SHELF & SUPPORT HARDWARE

SHELF STANDARDS

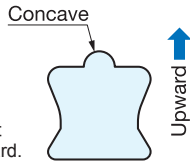


Surface Mount



AP-DM1820WT AP-DM1820 AP-DM1820BL

- Aluminum shelf standard.
- Easy to cut to desired length.
- Thin profile (3 mm, 1/8") suitable for surface mount.
- Screw hole located every 120 mm (4-23/32").
- New slot shape to prevent shelf support from falling off.
- Special screw with silver finish available. (AP-SC3-16)
- Screws and accessories sold separately.



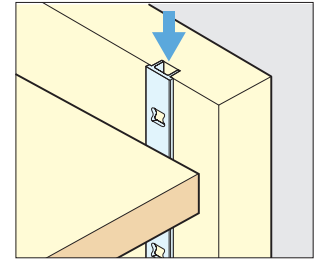
\* Install the standard with concave slot (located every 120 mm) pointing upward.

Item No.	Screw Type	Finish / Color	Material	Box (set)
AP-SC3-16	Flat-head wood 3 × 16	Yellow Zinc Chromate (Head-Silver)	Steel	1
AP-SC3-16WT		Yellow Zinc Chromate (Head-White)		
AP-SC3-16BL		Yellow Zinc Chromate (Head-Black)		
AP-SC3-30	Flat-head wood 3 × 30	Yellow Zinc Chromate (Head-Silver)		
AP-SC3-30WT		Yellow Zinc Chromate (Head-White)		
AP-SC3-30BL		Yellow Zinc Chromate (Head-Black)		

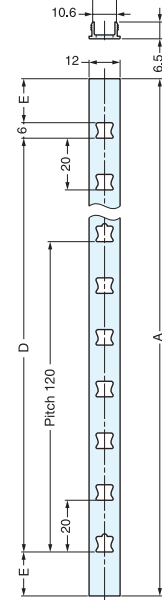
Item No.	Mounting Type	A	B	C	D	E	Weight (g)	Material	Finish	Box (pcs)				
AP-DM1820	Surface Mount	1820 (71-21/32")	1800	10	1780	17	113	Aluminum	Anodized	100				
AP-DM1820WT									White					
AP-DM1820BL									Black					
AP-DM2600	Mortise Mount	2600 ( 102-3/8" )	2520	40	2500	47	161		Anodized	60				
AP-DH1820									-	-	1780	17	131	100
AP-DH2600									-	-	2500	47	187	60



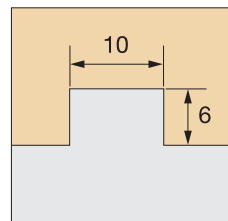
AP-DH1820



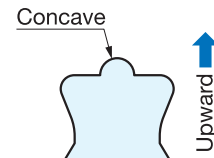
Mortise Mount



- Aluminum shelf standard.
- Easy to cut to desired length.
- Designed for press-fit mount without using screws.
- New slot shape to prevent shelf support from falling off.
- Screws and accessories sold separately.



Bore Dimension (In case of Plywood)  
\* Fit tightness may vary depending on the panel/wall material. Use adhesive if loose.

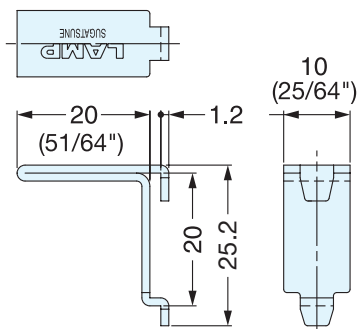


\* Install the standard with concave slot (located every 120 mm) pointing upward.

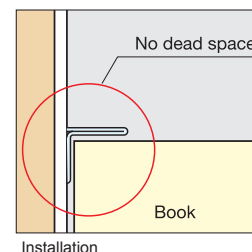
# SHELF SUPPORT



# AP-FB20



- Shelf support for AP-DM and AP-DH.
- Designed to eliminate dead space at bottom of bracket.



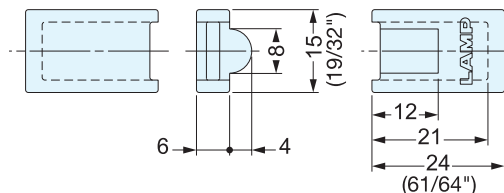
Item No.	Load Capacity (kg)	Weight (g)	Box (pcs)	Carton (pcs)
AP-FB20	45 (99 lbs) / 4 pcs	5	300	3000
AP-FB20-BL				

Material	Finish
430 Stainless Steel	Satin, Black

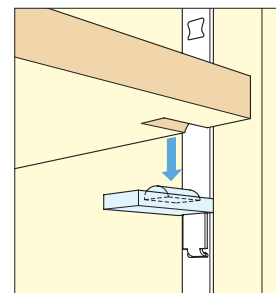
# SHELF SUPPORT CAP



# AP-FC20



- Rubber cap for shelf support AP-FB20.
- Insert the cap with half round shape facing up, and cutout the shelf to prevent from sliding.



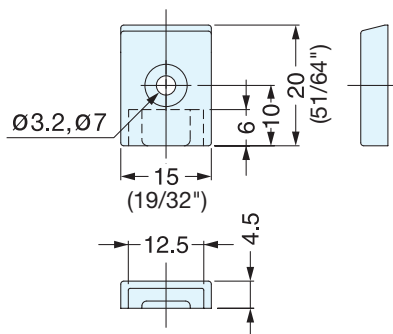
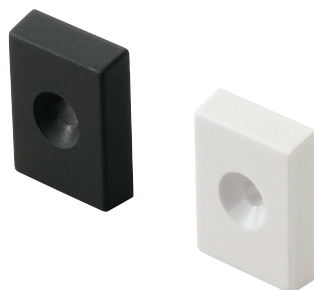
Item No.	Weight (g)	Box (pcs)	Carton (pcs)
AP-FC20	5	400	4000
AP-FC20-BL			

Material	Color
Elastomer	Light Grey, Black

# END CAP



# AP-EC20



- End cap for AP-DM.

Item No.	Weight (g)	Box (pcs)	Carton (pcs)
AP-EC20	5	400	4000
AP-EC20-BL			

Material	Color
ABS	Light Grey, Black

# ADJUSTABLE MOUNT

# FSL-V36

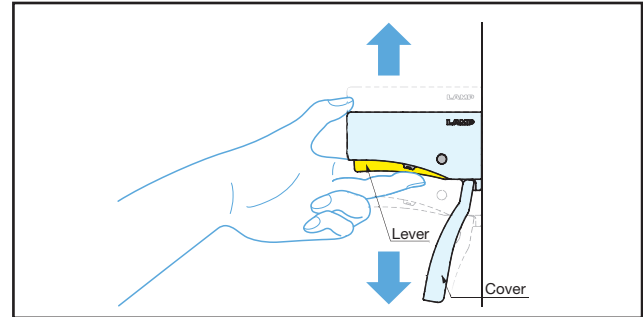
BRACKETS & SHELVING SYSTEM

ADJUSTABLE MOUNT

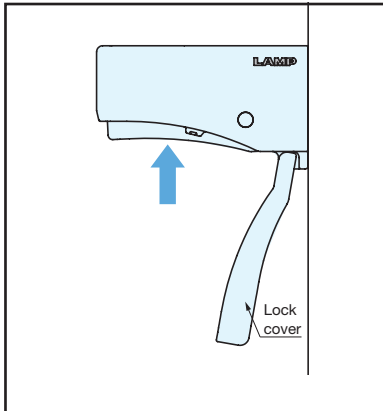


- Holds at any height on aluminium frames.
- The cover prevents unintentional lock release.
- Designed for use with the FSL-L, an aluminium frame.
- The cover prevents unintentional lock release.
- The locking mechanism prevents only downward motion.
- Can be installed to an aluminium frame that is already assembled.
- A monitor can be mounted on the FSL-V36 when used with the FSL-MB, an optional monitor-mounting bracket.

Holds at any height

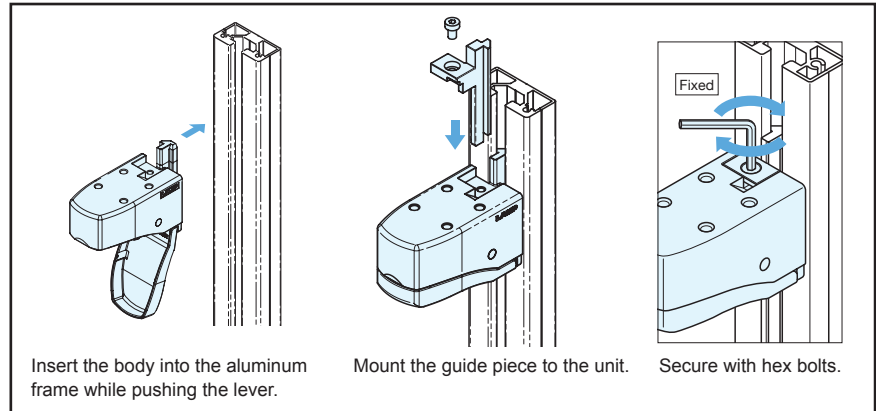


### Operation

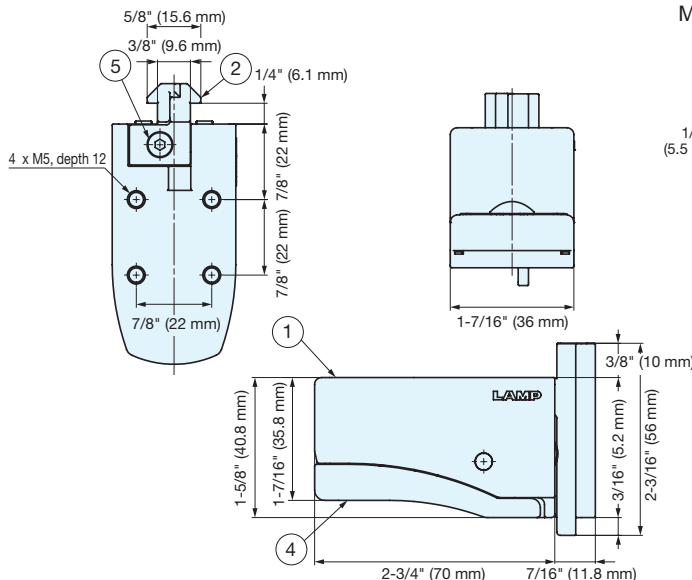


Open the cover and push the lever to move the unit up or down. The unit stops where the lever is released.

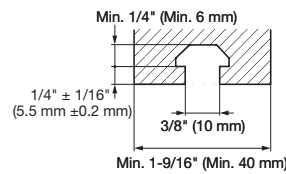
### Installation



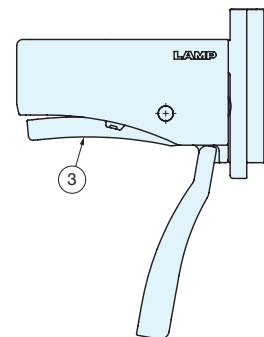
Can be installed to an aluminium frame that is already assembled. (see the instruction manual for details)



### Mountable Aluminium Frame



### When cover is opened



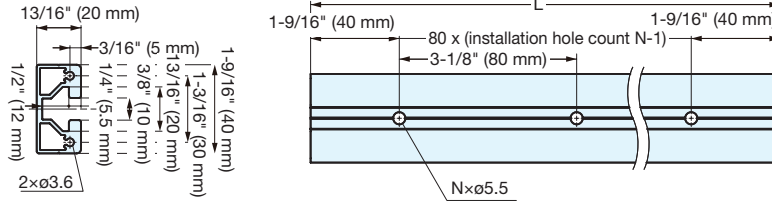
No.	Part Name	Material	Finish
①	Main Body	Zinc Alloy (ZDC)	Satin Chrome Plating
②	Guide Piece		
③	Lever	ABS Resin	White
④	Lock Cover	ABS Resin	White
⑤	Hexagonal socket cap low head bolt M4x6	Stainless Steel	Plain

Item No.	Vertical Load Capacity kgf	Weight (g)
FSL-V36	12 (26.5 lbs)	310



# ALUMINIUM FRAME

# FSL-L

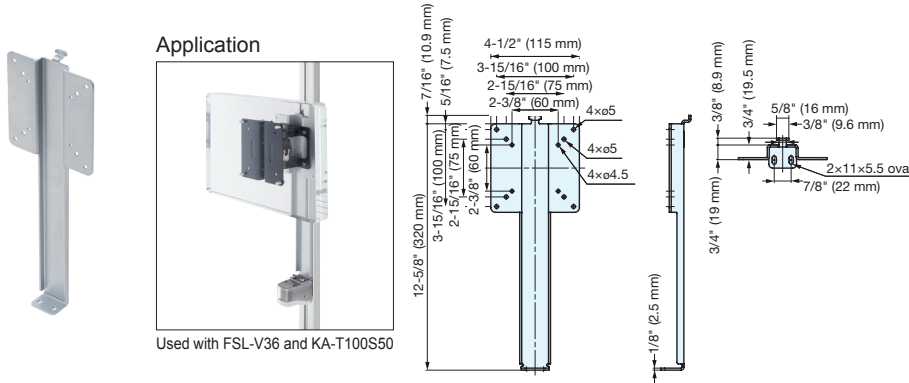


- Optional Parts:  
FSL-EC End Cap  
FSL-S4 Stopper

Item No.	L	Installation Hole Count N	Material	Finish	Weight (g)
FSL-L400	15-3/4" (400 mm)	5	Aluminium Alloy	Silver Anodising	333
FSL-L800	31-1/2" (800 mm)	10			665
FSL-L1200	47-1/4" (1200 mm)	15			998
FSL-L2000	78-3/4" (2000 mm)	25			1663

# MONITOR MOUNTING BRACKET

# FSL-MB

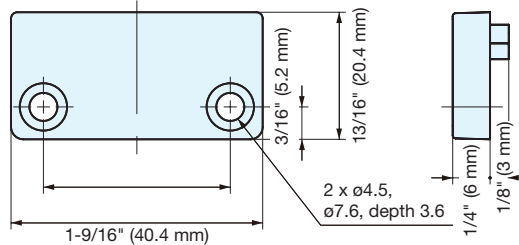


- Enables mounting of monitors with hole pitch compliant with the VESA standard (75 x 75 mm, 100 x 100 mm)

Item No.	Material	Finish/Color	Weight (g)
FSL-MB	Steel (SPCC)	Enamel Silver	566

# END CAP

# FSL-EC

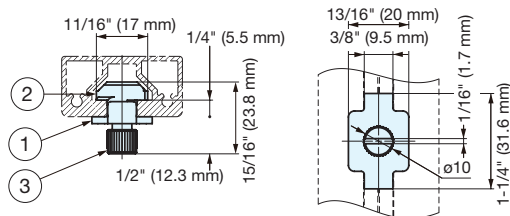


- End cap for the FSL-L Aluminium Frame.

Item No.	Material	Finish/Color	Weight (g)
FSL-EC	ABS Resin	Grey	3.1

# STOPPER

# FSL-S4



- A stopper for the FSL-L Aluminium Frame.
- Can also be used with other companies' aluminium frames that are over 40 mm in width. Please see the drawing of the FSL-V36 for details.

Item No.	Weight (g)	Box (pcs)	No.	Part Name	Material	Finish
FSL-S4	22	20	①	Body	SPCC	Chrome Plating
			②	AS Nut	316 Stainless Steel	Barrel Polished
			③	Knurled Knob	Steel	Nickel Plating

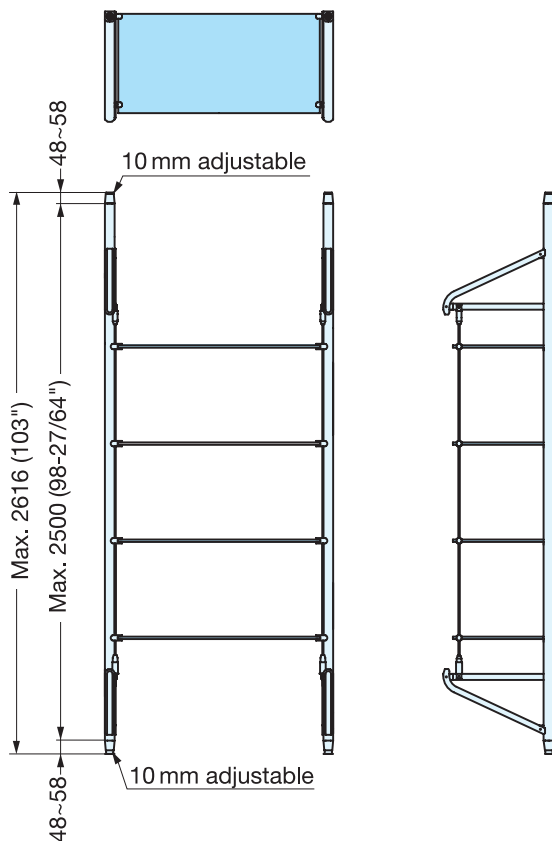
## UNIT SHELF TYPE "B"

SPECIAL ORDER

XL-US02B

SHELF &amp; SUPPORT HARDWARE

UNIT SHELF TYPE "B"



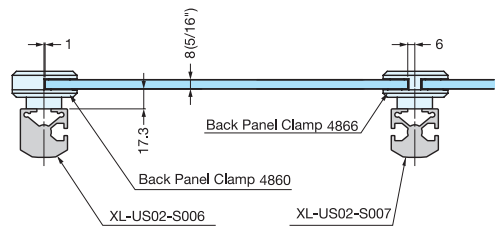
- Adjustable shelf height.
- Designed for ceiling to floor pressure fit installation with extendable leveling glides.
- Can also be wall mounted by using optional wall mounting bracket. XL-US02-S010 (sold separately).
- Please see P.502~P.503 for part details.

Glass Thickness	8 or 10 mm
Overall Height	Max. 2616 mm (103")
Glass Width	Max. 1200 mm (47-1/4") (Glass Thickness 8 mm) Max. 1500 mm (59-3/64") (Glass Thickness 10 mm)
Glass Depth	400~450 mm (15-3/4"~17-23/32")
Load Capacity	Max. 30 kg (66 lbs)/Shelf

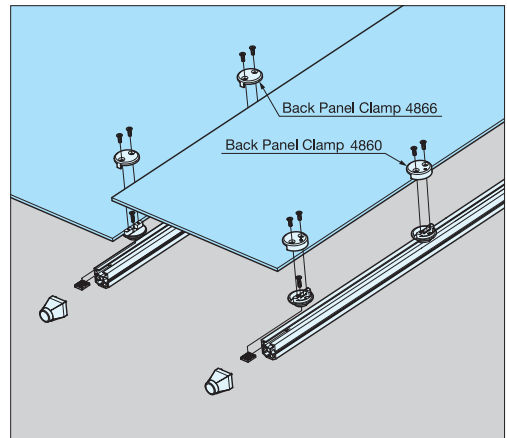
# Sample Installation



## Back Panel Installation

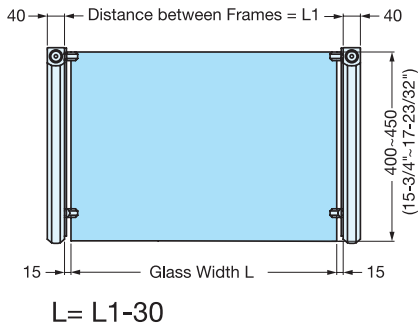


## Back Panel Clamp Installation

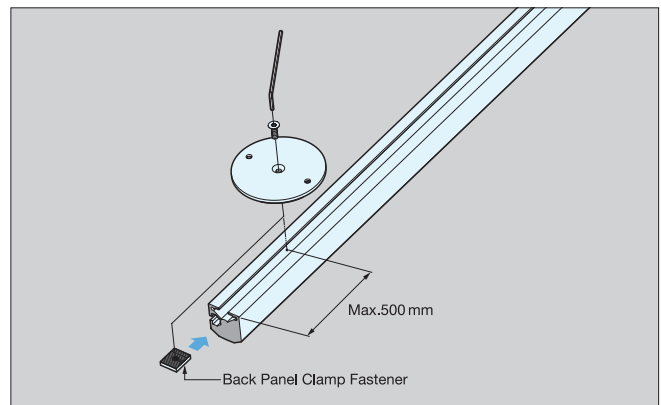


\*Insert clamp fasteners before mounting leveling legs.

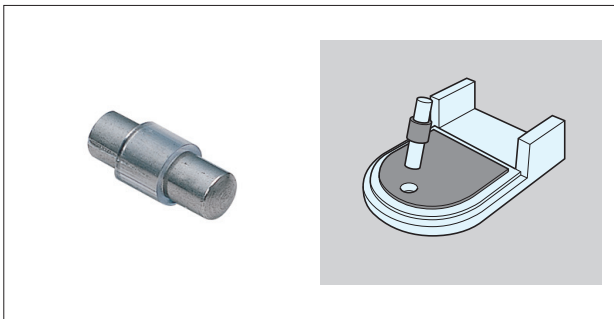
## Glass Shelf Dimensions



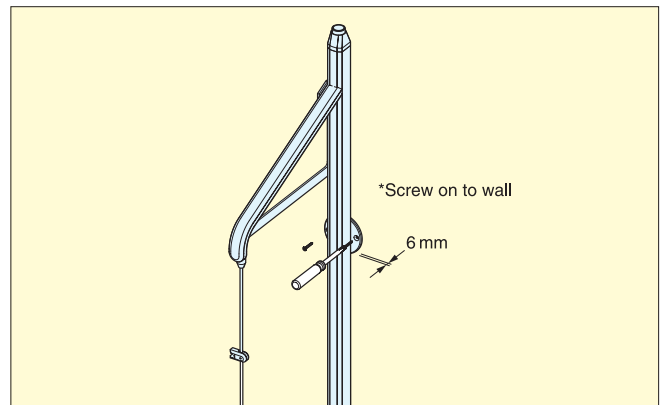
## Vertical Frame Installation



## Safety Pin for glass clamp (Optional)



\* Prevents glass slipping out from clamp

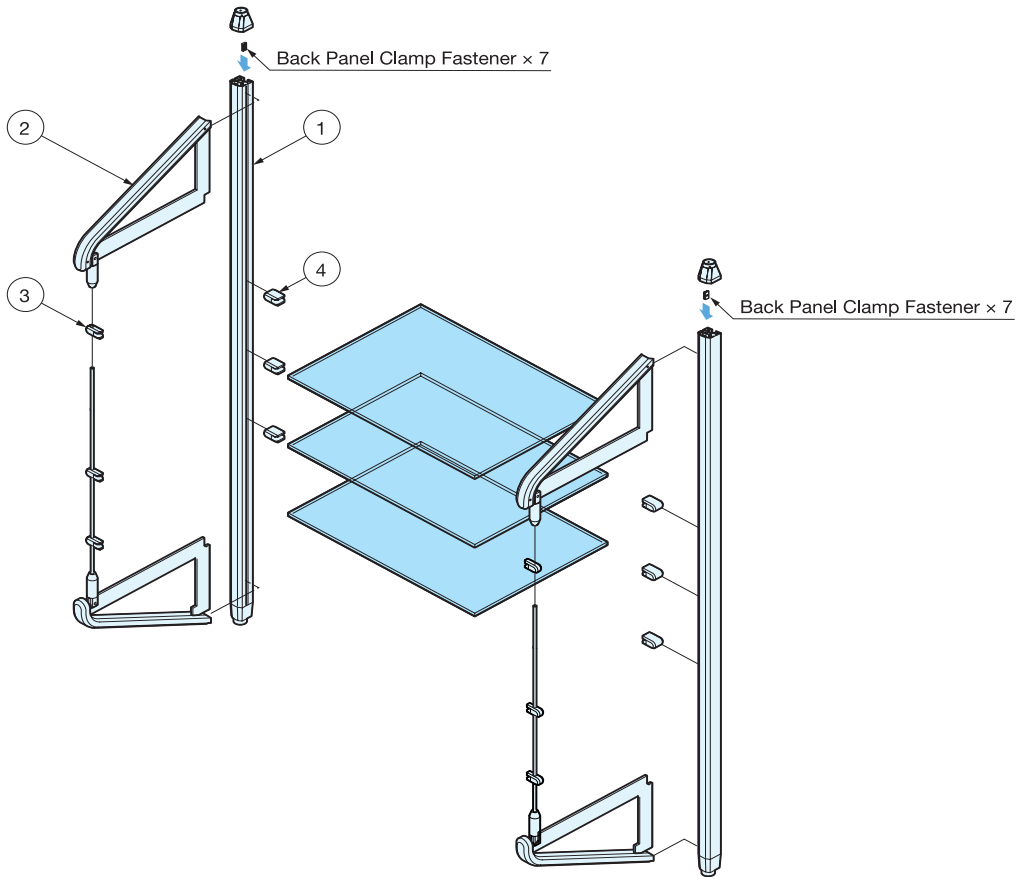


\* Please refer to P.503 for Alternate Vertical Frame Installation

# Detailed View

SHELF & SUPPORT HARDWARE

UNIT SHELF TYPE "B"



## "Type B" Part Details

No.	Item No.	Part Name	Dimensions	Description
①	XL-US02-S006	Vertical Frame (1 Slot Type)		<ul style="list-style-type: none"> <li>● <b>Material</b> Aluminum, Zinc Alloy</li> <li>● <b>Finish/Color</b> Anodized, Grey</li> <li>● <b>Length</b> Max. Height: 2600 mm (102-3/8") (Floor to Ceiling)</li> </ul> <p>*2 leveling legs included per frame *Double slotted frame available. Please see XL-US02-S007 on page 505 for details.</p>
②	XL-US02-S011	Type B Wire Kit		<ul style="list-style-type: none"> <li>● <b>Material</b> Aluminum, Steel, 430 Stainless Steel</li> <li>● <b>Finish/Color</b> Matte Chrome</li> </ul> <p>*For Main Frame 2100 mm~2500 mm</p>

No.	Item No.	Part Name	Dimensions	Description
③	XL-US01-F20	Type B Shelf Support (For Wire Shaft)		<ul style="list-style-type: none"> <li>● <b>Material</b> Zinc Alloy</li> <li>● <b>Finish/Color</b> Matte Chrome</li> </ul> *2 Supports necessary for 1 Shelf
④	XL-US01-B20	Type B Shelf Support (For Main Frame, 2pcs/shelf)		<ul style="list-style-type: none"> <li>● <b>Material</b> Zinc Alloy</li> <li>● <b>Finish/Color</b> Matte Chrome</li> </ul> *2 Supports necessary for 1 Shelf

**Type "B" Optional Part Overview** Please see page P.508~P.509 for details

Part Name	Wall Mounting Plate	Wall Mounting Bracket	Wall Mounting Bracket	Back Panel Clamp
Item No.	XL-US02-S010	XL-US02-S008	XL-US02-S009	4860ZN1, 4860ZN5

Part Name	Back Panel Clamp	Back Panel Clamp Fastener	Edge Cover
Item No.	4866ZN1, 4866ZN5	XL-US02-S013	AF-25-P01-25

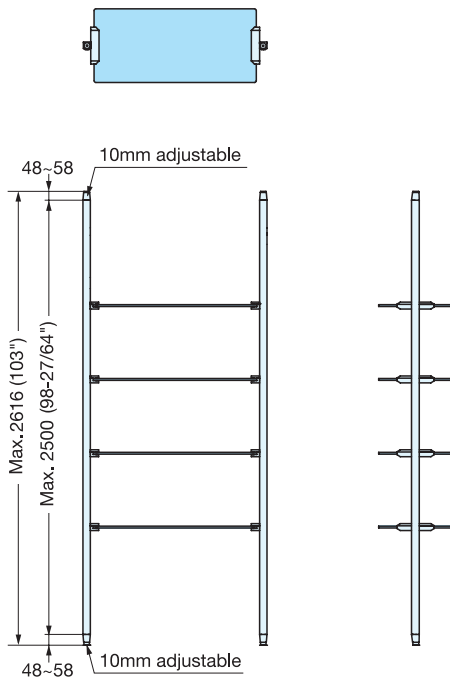
## UNIT SHELF TYPE "C"

SPECIAL ORDER

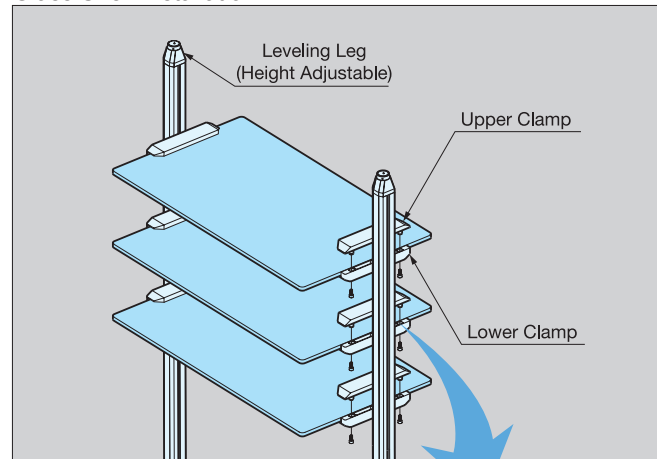
XL-US02C

SHELF &amp; SUPPORT HARDWARE

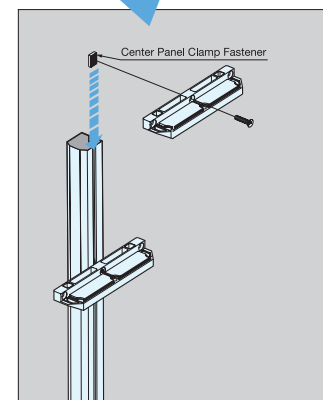
UNIT SHELF TYPE "C"



## Glass Shelf Installation

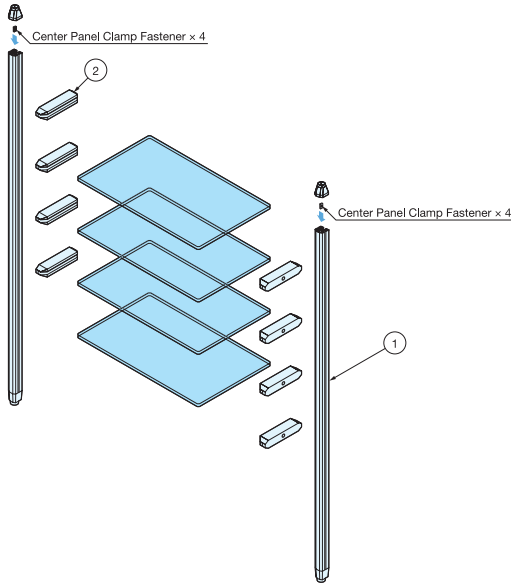


\* Insert clamp fasteners before mounting leveling legs.



Glass Thickness	8 or 10 mm
Overall Height	Max. 2616 mm (103")
Glass Width	Max. 1200 mm (47-1/4") for 8 mm thick glass Max. 1500 mm (59-3/64") for 10 mm thick glass
Glass Depth	200~450 mm (7-7/8"~17-23/32")
Load Capacity	Max. 35 kg (77 lbs)/Shelf

Detailed View



Type "C" Part Details

No.	Item No.	Part Name	Dimensions	Description
-	XL-US02-S006	Vertical Frame (1 Slot Type)		<ul style="list-style-type: none"> <li>● <b>Material</b> Aluminum, Zinc Alloy</li> <li>● <b>Finish/Color</b> Anodized, Grey</li> <li>● <b>Length</b> Max. Height: 2600 mm (102-3/8") (Floor to Ceiling)</li> </ul> *2 leveling legs included per frame *For use as an end frame.
①	XL-US02-S007	Vertical Frame (2 Slot Type)		<ul style="list-style-type: none"> <li>● <b>Material</b> Aluminum, Zinc Alloy</li> <li>● <b>Finish/Color</b> Anodized, Grey</li> <li>● <b>Length</b> Max. Height: 2600 mm (102-3/8") (Floor to Ceiling)</li> </ul> *2 leveling legs included per frame *For use as an intermediate frame in an installation with adjacent bays.
②	XL-US01-S200	Shelf Clamp (For Glass Shelf)		<ul style="list-style-type: none"> <li>● <b>Material</b> Zinc Alloy, Elastomer</li> <li>● <b>Finish/Color</b> Matte Chrome, Black</li> <li>● <b>Glass Thickness</b> 8 mm, 10 mm</li> </ul> *2 Clamps necessary for 1 Shelf *Glass Shelf not included

Type "C" Optional Part Overview Please see P.508~P.509 for details

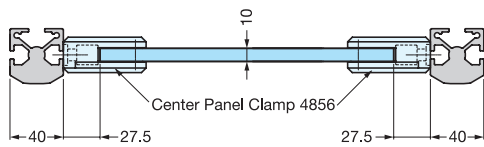
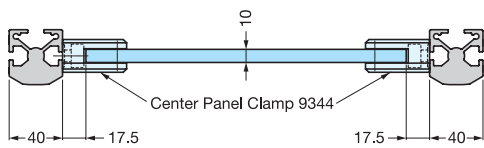
Part Name	Shelf Support (For Wood Shelf)	Shelf Edge (For Wood Shelf)	Shelf Support for Glass (Angle Adjustable)	Shelf Edge (For Glass Shelf)	Edge Cover
Item No.	XL-US02-S002	XL-US02-S014	XL-US02-S003	XL-US02-S015	AF-25-P01-25
Part Name	Center Panel Clamp	Center Panel Clamp	Center Panel Clamp Fastener	Wall Mounting Bracket	Wall Mounting Bracket
Item No.	9344VA2	4856ZN1, 4856ZN5	XL-US02-S012	XL-US02-S008	XL-US02-S009

## Application Example

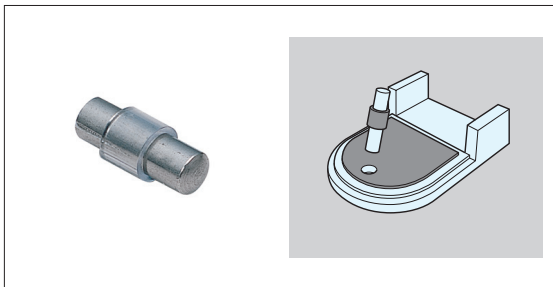


Wire kit and halogen lamp are not provided

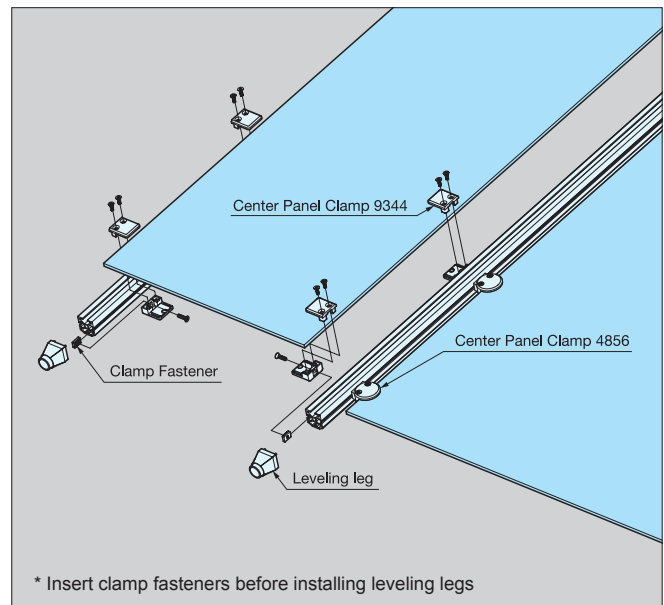
### Installation with Center Panel Clamp



### Safety Pin (Optional)



\* Prevents glass from slipping out from clamp.

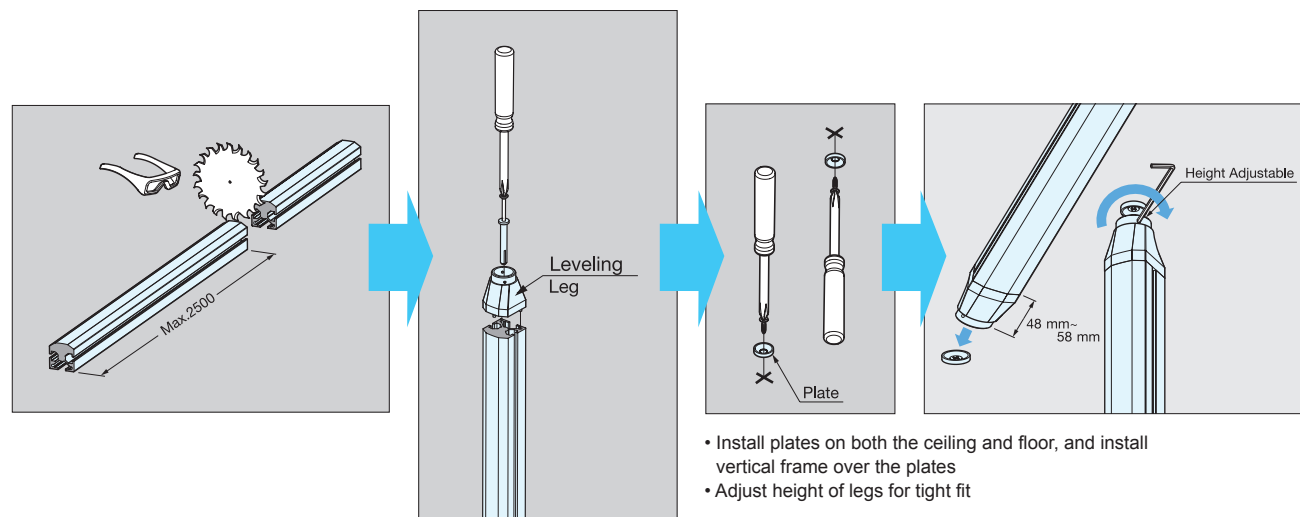


\* Insert clamp fasteners before installing leveling legs

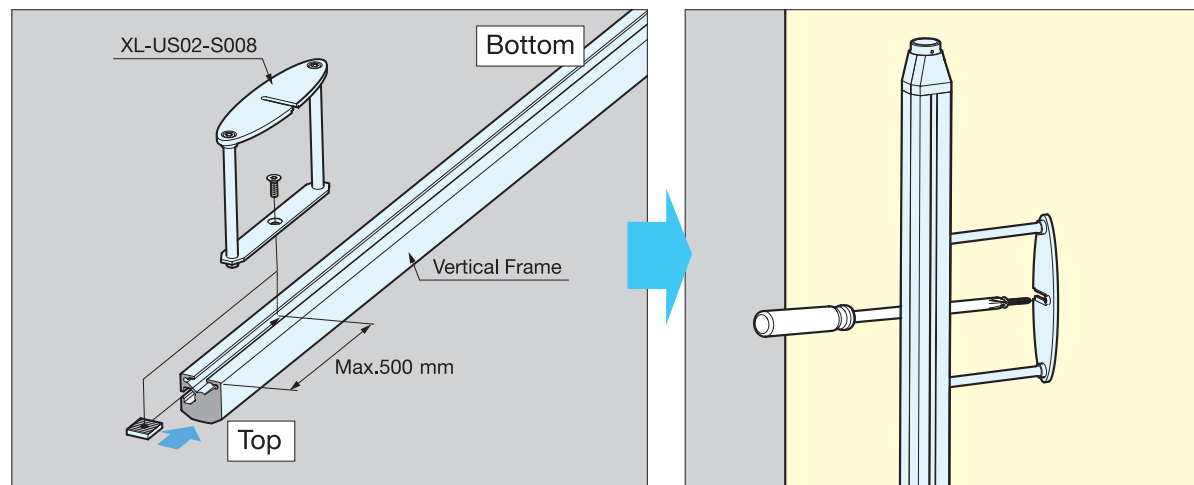


# INSTALLATION (TYPE B/C)

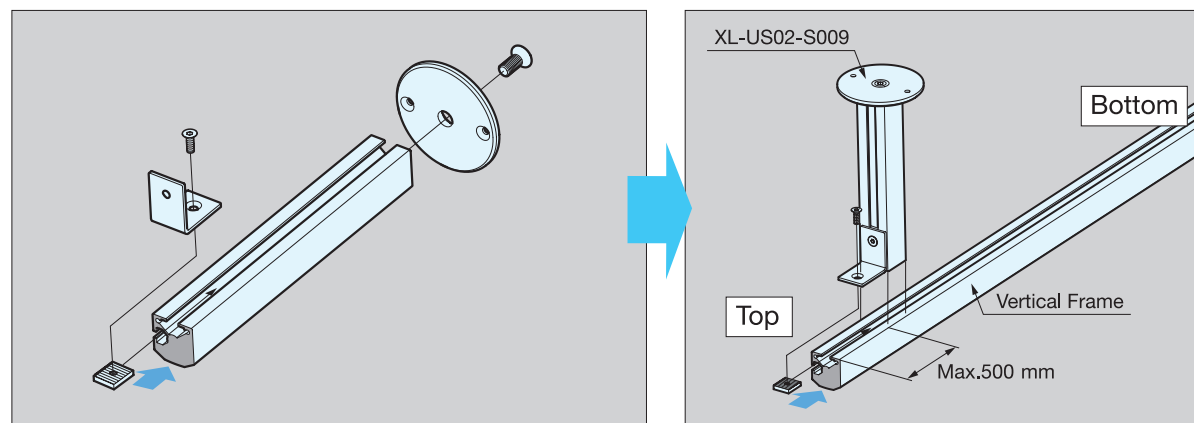
## Vertical Frame Installation (For top/bottom pressure fit)



### Wall Mounting Bracket Installation (1) (XL-US02-S008)


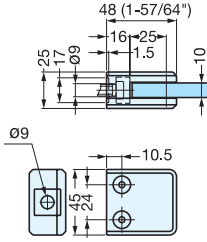

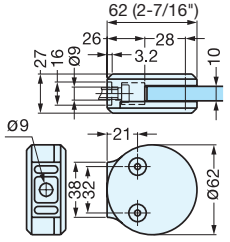

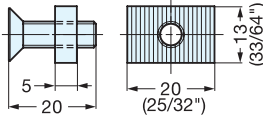

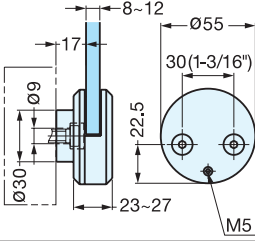

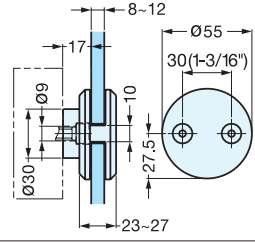

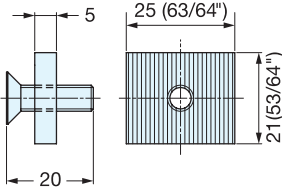

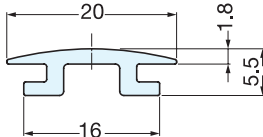


### Wall Mounting Bracket Installation (2) (XL-US02-S009)



## Optional Part Details (Type B/C)

No.	Item No.	Part Name	Dimensions	Description
①	XL-US02-S010	Wall Mounting Plate (For Type B)		<ul style="list-style-type: none"> <li>● <b>Material</b> Aluminum</li> <li>● <b>Finish/Color</b> Anodized</li> </ul> *To be used with Main Frame (1 Slot Type) *For Type B
②	XL-US02-S008	Wall Mounting Bracket		<ul style="list-style-type: none"> <li>● <b>Material</b> 304 Stainless Steel, Steel</li> <li>● <b>Finish/Color</b> Grey</li> </ul>
③	XL-US02-S009	Wall Mounting Bracket		<ul style="list-style-type: none"> <li>● <b>Material</b> Aluminum</li> <li>● <b>Finish/Color</b> Anodized</li> </ul>
④	XL-US02-S002	Shelf Support (For Wood Shelf)		<ul style="list-style-type: none"> <li>● <b>Material</b> 304 Stainless Steel</li> <li>● <b>Finish/Color</b> Plain</li> </ul> *Shelf not included *For Type C
⑤	XL-US02-S003	Shelf Support for Glass (Angle Adjustable)		<ul style="list-style-type: none"> <li>● <b>Material</b> 304 Stainless Steel</li> <li>● <b>Finish/Color</b> Polished, Plain</li> <li>● <b>Glass Thickness</b> 10 mm</li> </ul> *Angle adjustable each 30 degrees *Glass not included *For Type C *Pre-drilled holes (countersunk) required on glass *Please order special wrench Z058 for installation
⑥	XL-US02-S014	Shelf Edge (For Wood Shelf)		<ul style="list-style-type: none"> <li>● <b>Material</b> Aluminum</li> <li>● <b>Finish/Color</b> Anodized</li> </ul> *Prevents items falling off from shelves *For wood shelf *To be mounted on side edge *For Type C
⑦	XL-US02-S015	Shelf Edge (For Glass Shelf)		<ul style="list-style-type: none"> <li>● <b>Material</b> Aluminum, Zinc Alloy</li> <li>● <b>Finish/Color</b> Anodized, Matte Chrome</li> </ul> *Prevent items from falling off *For glass shelf *To be mounted on front or back edge *For Type C

No.	Item No.	Part Name		Dimensions	Description
⑧	9344VA2	Center Panel Clamp			<ul style="list-style-type: none"> <li>● <b>Material</b> 316 Stainless Steel</li> <li>● <b>Finish/Color</b> Satin</li> <li>● <b>Panel Thickness</b> 10 mm</li> </ul> *Holds panel between Main Frames
⑨	4856ZN1, 4856ZN5 <b>Discontinued</b>	Center Panel Clamp			<ul style="list-style-type: none"> <li>● <b>Material</b> Zinc Alloy</li> <li>● <b>Finish/Color</b> Matte Chrome (ZN1) Chrome (ZN5)</li> <li>● <b>Panel Thickness</b> 10 mm</li> </ul> *Holds panel between Main Frames
⑩	XL-US02-S012	Center Panel Clamp Fastener			<ul style="list-style-type: none"> <li>● <b>Material</b> 304 Stainless Steel, Steel</li> <li>● <b>Finish/Color</b> Plain</li> </ul> *Nut/Bolt to fasten Center Panel Clamp and Main Frame
⑪	4860ZN1, 4860ZN5	Back Panel Clamp			<ul style="list-style-type: none"> <li>● <b>Material</b> Zinc Alloy</li> <li>● <b>Finish/Color</b> Matte Chrome (ZN1) Chrome (ZN5)</li> <li>● <b>Panel Thickness</b> 8~12 mm</li> </ul> *Holds panel between Main Frames
⑫	4866ZN1, 4866ZN5	Back Panel Clamp			<ul style="list-style-type: none"> <li>● <b>Material</b> Zinc Alloy</li> <li>● <b>Finish/Color</b> Matte Chrome (ZN1) Chrome (ZN5)</li> <li>● <b>Panel Thickness</b> 8~12 mm</li> </ul> *Holds panel between Main Frames (2 Slot Type)
⑬	XL-US02-S013	Back Panel Clamp Fastener			<ul style="list-style-type: none"> <li>● <b>Material</b> 304 Stainless Steel, Steel</li> <li>● <b>Finish/Color</b> Plain</li> </ul> *Nut/Bolt to fasten Back Panel Clamp and Main Frame
⑭	AF-25-P01-25	Edge Cover			<ul style="list-style-type: none"> <li>● <b>Material</b> Elastomer</li> <li>● <b>Finish/Color</b> Light Grey</li> <li>● <b>Length</b> 2500 mm (98-27/64\"</li> </ul>

LEVEL ADJUSTABLE SHELVING SYSTEM

SPECIAL ORDER

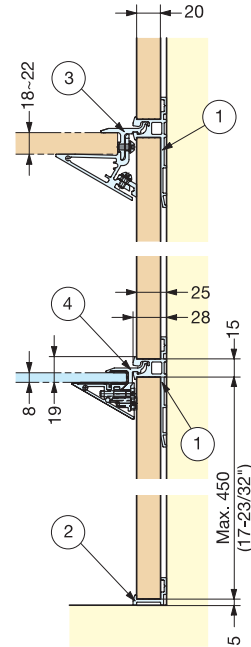
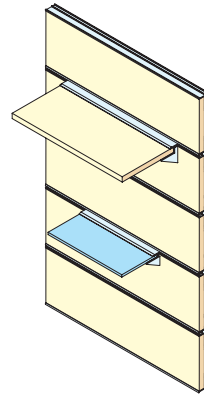
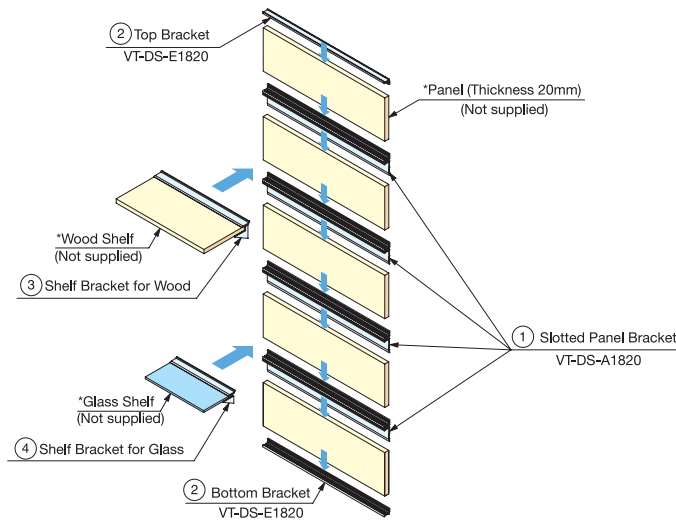
VT-DS

SHELF & SUPPORT HARDWARE

LEVEL ADJUSTABLE SHELVING SYSTEM



- Slotted shelving system for flexible layout.
- Shelves can be installed anywhere in the slot.
- Simple and easy installation.
- Use with desired panel to match the surrounding design.
- Wall Panel Size:
  - Thickness-20 mm
  - Width-Max. 1820 mm (71-21/32")
  - Height-105~450 mm (4-1/8"~17-23/32")
  - \* Panel not included.
- Shelf bracket for wood or glass available. (Shelf board not included).
- Level adjustable.



No.	Item No.	Part Name	Dimensions	Material	Finish/Color	Length	Wall Panel Thickness	Shelf Board Size			Load Capacity (kg)
								Width	Depth	Thickness	
①	VT-DS-A1820	Slotted Panel Bracket		Aluminum	Anodized	1820 mm	20 mm	-	-	-	-
②	VT-DS-E1820	Top/Bottom Bracket						-	-	-	-
③	VT-DS-X-450	Shelf Bracket For Wood		Aluminum	Anodized Grey	450 mm	-	450~600 mm	150~300 mm	18~22 mm	40 kg (88 lbs)
	VT-DS-X-800							800~900 mm			
④	VT-DS-G-450	Shelf Bracket For Glass		Aluminum	Anodized Grey	450 mm	-	450~600 mm	150~300 mm	8 mm	10 kg (22 lbs)
	VT-DS-G-685							685~900 mm			

# LEVEL ADJUSTABLE SHELVING SYSTEM

SPECIAL ORDER

VT-DF

SHELF & SUPPORT HARDWARE

LEVEL ADJUSTABLE SHELVING SYSTEM



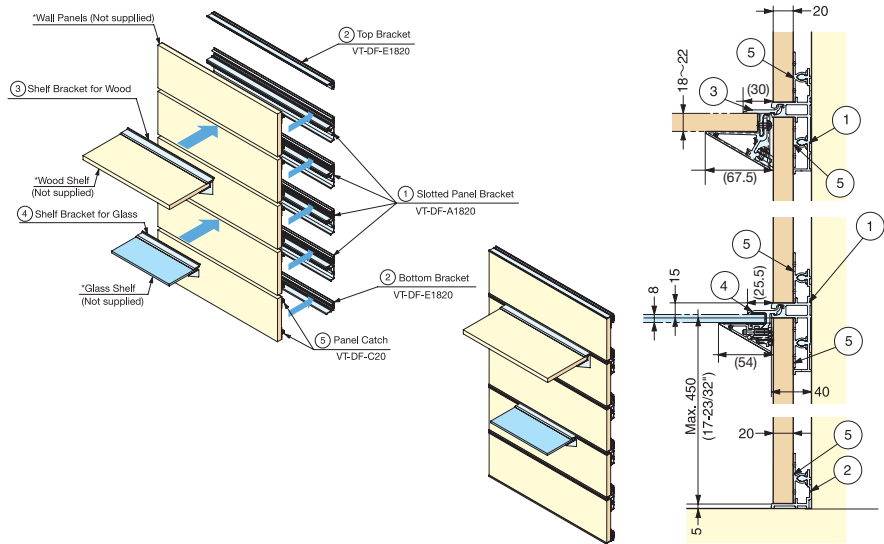
- Slotted shelving system for flexible layout.
- Shelves can be installed anywhere in the slot.
- Simple and easy installation.
- Use with desired panel to match the surrounding design.
- Snap-in type catch for easy panel installation.
- Wall Panel Size:  
Thickness-20 mm  
Width-Max. 1820 mm (71-21/32")  
Height-105~450 mm (4-1/8"~17-23/32")  
\*Panel not included.
- Designed to have space behind panels for electric wiring, and for rotating/seasonal displays.
- Shelf bracket for wood or glass available. (Shelf board not included.)
- Level adjustable.



Snap in panels installed



Snap in panels removed



No.	Item No.	Part Name	Dimensions	Material	Finish/Color	Length	Wall Panel Thickness	Shelf Board Size			Load Capacity (kg)
								Width	Depth	Thickness	
①	VT-DF-A1820	Slotted Panel Bracket	 8pcs. of catch ⑤ included.	Aluminum	Anodized	1820 mm	20 mm	-	-	-	-
②	VT-DF-E1820	Top / Bottom Bracket	 8pcs. of catch ⑤ included.			1820 mm	20 mm	-	-	-	-
③	VT-DS-X-450	Shelf Bracket For Wood		Aluminum	Anodized Grey	450 mm	-	450~600 mm	150~300 mm	18~22 mm	40 kg (88 lbs)
	VT-DS-X-800					800 mm		800~900 mm			
④	VT-DS-G-450	Shelf Bracket For Glass		ABS	Anodized Grey	450 mm	-	450~600 mm	150~300 mm	8 mm	10 kg (22 lbs)
	VT-DS-G-685					685 mm		685~900 mm			
⑤	VT-DF-C20	Panel Catch		Polyacetal	Natural	-	-	-	-	-	-

WALL SHELVING SYSTEM

SPECIAL ORDER

FLUQS® 250/750

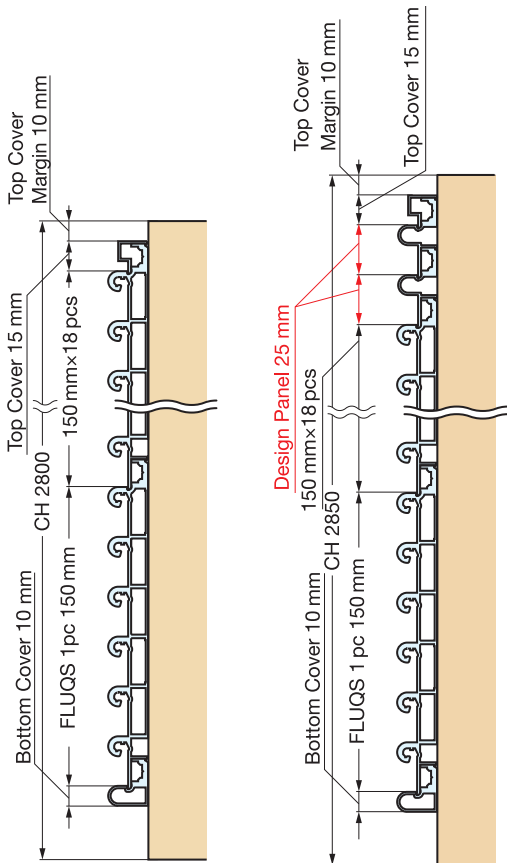
SHELF & SUPPORT HARDWARE

WALL SHELVING SYSTEM

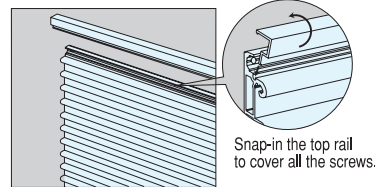
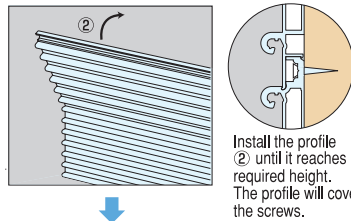
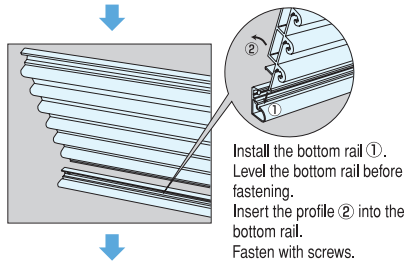
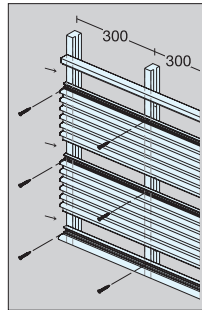


Installation Example

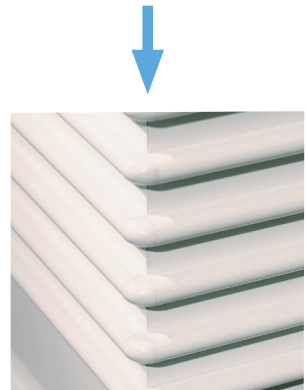
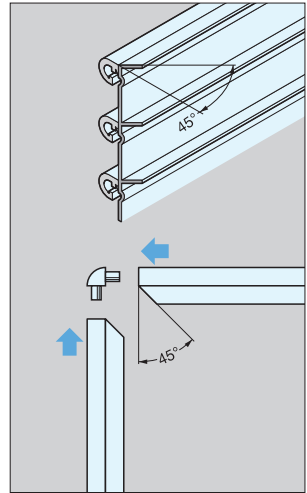
Ceiling Height (CH) : 2800 mm    Ceiling Height (CH) : 2850 mm



2 design panels are used to cover 50 mm space in case of ceiling height 2850 mm.



Corner Installation



Corner Example

## Part Details

No.	Item No.	Part Name	Dimensions	Material	Finish/Color	Length	Description
①	EX001-21	Main Panel FLUQS 250		Aluminum	Anodized	1820 mm (71-21/32")	<ul style="list-style-type: none"> <li>● Basic Aluminum Wall Panel (Rail pitch 25 mm)</li> <li>● Screw hole pitch 300 mm</li> </ul>
②	EX004-21	Main Panel FLUQS 750		Aluminum	Anodized		<ul style="list-style-type: none"> <li>● Basic Aluminum Wall Panel (Rail pitch 75 mm)</li> <li>● Screw hole pitch 300 mm</li> </ul>
③	EX007-21	Top Cover		Aluminum	Anodized		<ul style="list-style-type: none"> <li>● Top Cover Track</li> <li>● Covers the screw heads</li> </ul>
④	EX008-21	Bottom Rail		Aluminum	Anodized		<ul style="list-style-type: none"> <li>● Bottom Track</li> <li>● Screw hole pitch 300 mm</li> </ul>
⑤	EX905-21	End Cap (1Way Type)		ABS	Matte Silver	-	-
⑥	EX906-21	End Cap (2Way Type)		ABS	Matte Silver	-	-
⑦	EX701-21	Design Panel 150		Aluminum	Anodized	1820 mm (71-21/32")	<ul style="list-style-type: none"> <li>● Panel with design pattern same as FLUQS 250 (25 mm rail pitch type)</li> <li>● No Slot for Hooks/Shelves</li> <li>● For space where the design pattern is needed but hooks/shelves are not necessary.</li> <li>● Screw hole pitch 300 mm</li> </ul>
⑧	EX709-21	Design Panel 25		Aluminum	Anodized		<ul style="list-style-type: none"> <li>● Panel to adjust overall height (25 mm)</li> <li>● No Slot for Hooks/Shelves</li> <li>● Screw hole pitch 300 mm</li> </ul>
⑨	EX009-21	Connector		Aluminum	Anodized	50 mm	<ul style="list-style-type: none"> <li>● Used to align Panels</li> <li>● Use 2 pcs per Panel (2 pcs per set)</li> </ul>
⑩	EX901-21	Corner Angle		Aluminum	Anodized	3000 mm (118-7/64")	<ul style="list-style-type: none"> <li>● Corner plate to cover the edge of aluminum panel.</li> <li>● Screws not included</li> </ul>

\*Please see P.516~517 for accessories.

**WALL SHELVING SYSTEM**

**SPECIAL ORDER**

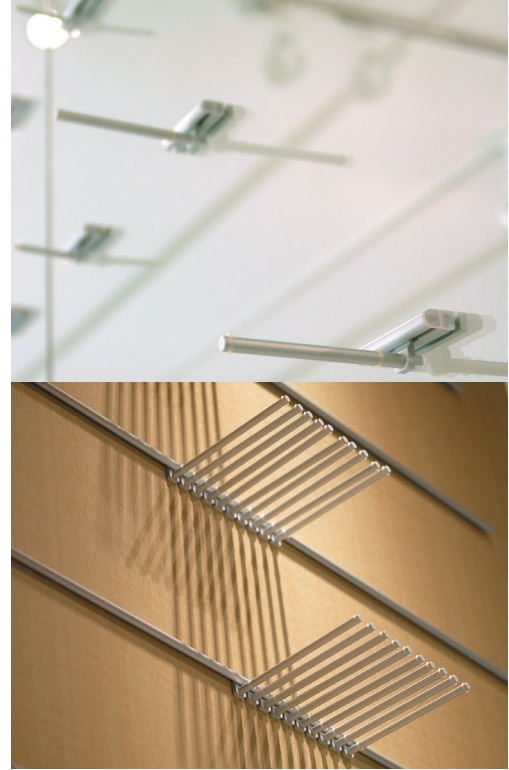
**FLUQS® 25/ONE**

**SHELF & SUPPORT HARDWARE**

**WALL SHELVING SYSTEM**



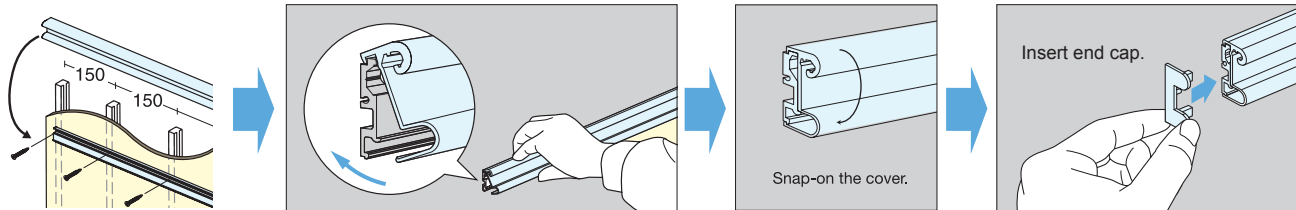
**FLUQS 25**



**FLUQS ONE**

**FLUQS 25**

Installation



**FLUQS25 Part Details**

No.	Item No.	Part Name	Dimensions	Material	Finish/Color	Length	Description
①	EX022-21	FLUQS 25		Aluminum	Anodized	1820 mm (71-21/32")	<ul style="list-style-type: none"> <li>● Single Aluminum Profile.</li> <li>● Easy installation type</li> <li>● End Cap 2 pcs included</li> <li>● Screw hole pitch 150 mm</li> </ul>
②	EX025-31	End Cap for FLUQS 25		ABS	Grey	-	<ul style="list-style-type: none"> <li>● Non-handed (2pcs per set)</li> </ul>

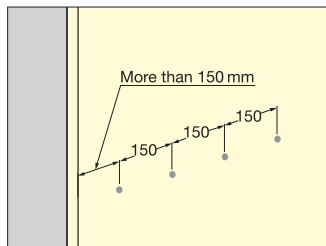
Please see P.516~517 for accessories.



# FLUQS ONE

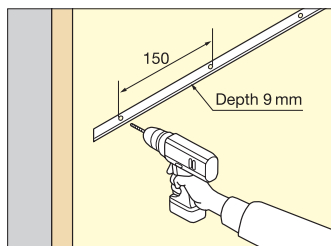
## Installation

### Glass/Acrylic, Surface Mount

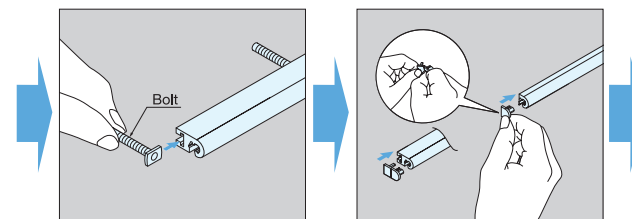


\*Minimum Thickness:  
Glass/Acrylic 10 mm  
\*Use accessories "For FLUQS ONE Surface Mount". (Please see P.569 for details)  
When using other accessories, adaptor (sold separately) is required.

### Wood Panel, Recess Mount

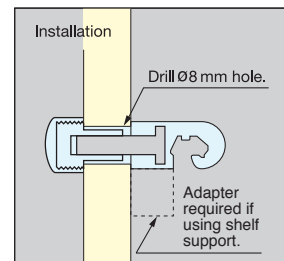


\*Minimum Thickness:  
Wood 24 mm

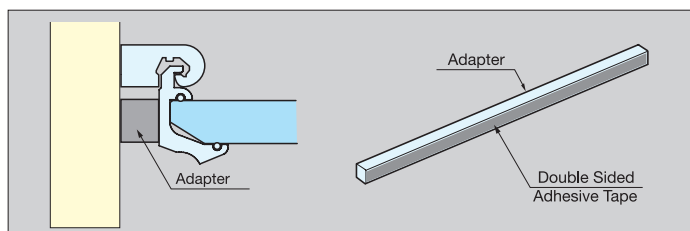
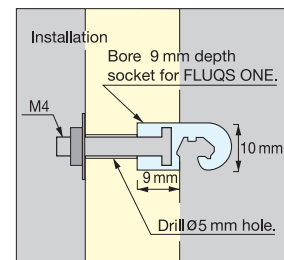


Adapter (sold separately) is required to attach shelves when FLUQS ONE is installed on a surface. (See p.517)

### Plastic Panel



### Wood Panel



## FLUQS ONE Part Details

No.	Item No.	Part Name	Dimensions	Material	Finish/Color	Length	Description
①	EX012-21	FLUQS ONE		Aluminum	Anodized	50 mm (1-31/32")	<ul style="list-style-type: none"> <li>● Single Aluminum Profile</li> <li>● Simple and flexible layout design</li> <li>● End Cap 2 pcs included</li> <li>● For Recess Mount, cut the End Cap at the cut line and use the ※ 1 shape part.</li> </ul>
	EX010-21					1820 mm (71-21/32")	
②	EX018-45	End Cap for FLUQS ONE		Polypropylene	Plain	-	<ul style="list-style-type: none"> <li>● For Recess Mount, cut the End Cap at the cut line and use the ※ 2 shape part. (2 pcs per set)</li> </ul>
③	EX019-25	FLUQS ONE Screw Set for Wood		Steel	Chromate	-	<ul style="list-style-type: none"> <li>● Fastener to attach FLUQS ONE to Wood Panel</li> </ul>
④	EX020-20	FLUQS ONE Screw Set for Plastic Panel		Steel	Silver	-	<ul style="list-style-type: none"> <li>● Fastener to attach FLUQS ONE to Glass Panel</li> </ul>

Please see P.516~517 for accessories.

# ACCESSORIES

## Hook Series (For FLUQS 250/750/25/ONE Recess Mount)

SHELF & SUPPORT HARDWARE

WALL SHELVING SYSTEM

No.	Item No.	Part Name	Dimensions	Material	Finish/Color	Length	Load Capacity
①	EX030-20	Hook (ø3)		Steel	Chrome	15 ( 19/32" )	1 kg (2.2 lbs)
	EX031-20					30 ( 1-3/16" )	
	EX032-20					55 (2-11/64")	
	EX030-07				Matte Silver	15	
	<del>EX031-07</del> Discontinued					30	
	EX032-07					55	
②	EX035-20	Hook (ø4)		Steel	Chrome	50 (1-31/32")	1 kg (2.2 lbs)
	EX036-20					75 (2-61/64")	
	<del>EX037-20</del> Discontinued					100 (3-15/16")	
	EX035-07				Matte Silver	50	
	EX036-07					75	
	EX037-07					100	
③	EX040-20	Hook (ø6)		Steel	Chrome	50	2 kg (4.4 lbs)
	EX041-20					100	
	EX042-20					150	
	EX040-07				Matte Silver	50	
	<del>EX041-07</del> Discontinued					100	
	EX042-07					150	
④	EX046-20	Hook (ø9)		Steel	Chrome	100 (3-15/16")	3 kg (6.6 lbs)
	EX047-20					150 (5-29/32")	
	EX048-20					200 ( 7-7/8" )	
	EX046-07				Matte Silver	100	
	<del>EX047-07</del> Discontinued					150	
	EX048-07					200	

## Shelf Series

No.	Item No.	Part Name	Dimensions	Material	Finish/Color	W	D	t	Description		
①	EX201-41	Acrylic Shelf Set		Aluminum (Bracket)	Anodized (Bracket)	300 ( 11-13/16" )	150 ( 5-29/32" )	10	Load Capacity 2.4 kg ( 5.3 lbs )		
	EX202-41						200 ( 7-7/8" )				
	EX203-41						250 ( 9-27/32" )				
	EX206-41					Acrylic (Shelf)	Light Green (Shelf)		450 ( 17-23/32" )	150	Load Capacity 3.6 kg ( 7.9 lbs )
	EX207-41									200	
	EX208-41									250	
	EX211-41									150	
	EX212-41					600 ( 23-5/8" )	200		Load Capacity 4.8 kg ( 10.6 lbs )		
	EX213-41						250				
②	EX204-41	Adapter		Acrylic	-	300	-	-	For Shelf Holder when used with FLUQS ONE surface mount profile and bracket (with double sided adhesive tape)		
	EX209-41					450					
	EX214-41					600					
③	EX026-21	Shelf Holder		Aluminum	Anodized	1820 ( 71-5/8" )	10	9	*For 10 mm (3/8") glass *Maximum shelf depth: 250 mm (9-13/16") *For permanent installation, apply caulk to bracket and glass/acrylic *1 rubber strip (clear, 1820 mm) included *Glass not included, chamfer required as shown Load Capacity 14.4 kg (31.7 lbs)		
④	EX027-21	Shelf Holder		Aluminum	Anodized	1820 ( 71-5/8" )	-	-	*For 10 mm (3/8") glass *Maximum shelf depth: 450 mm (17-3/4") *For permanent installation, apply caulk to bracket and glass/acrylic *1 clear rubber strip (1820 mm) included *Glass not included, chamfer required as shown Load Capacity 30 kg (66 lbs)		
⑤	EX271-21	Shelf Plate		Aluminum	Anodized	300	-	-	Load Capacity 5 kg (11 lbs)		
	EX276-21					450					
⑥	EX090-21	Mini Hook		Aluminum	Anodized	10 ( 25/64" )	-	-	Load Capacity 3 kg ( 6.6 lbs )		

\*Additional end caps for shelf holders available by special order.