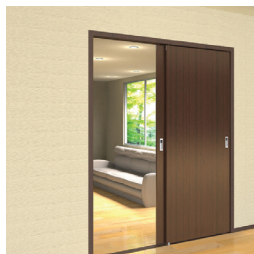




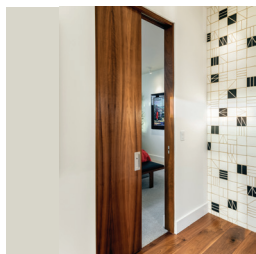
# SLIDING & FOLDING DOOR HARDWARE

SLIDING DOOR HARDWARE  
SYNCHRONIZED SLIDING DOOR HARDWARE  
LATERAL OPENING DOOR HARDWARE  
GLASS SLIDING DOOR HARDWARE  
FOLDING DOOR HARDWARE  
ALUMINUM FRAME DOOR HARDWARE

**SLIDING & FOLDING DOOR HARDWARE**
**SLIDING, SOFT CLOSE OPTION / FOLDING DOOR HARDWARE**

**FD30**

P.534~535

Max. Door Weight 66 lbs


**FD80-PD** Surface

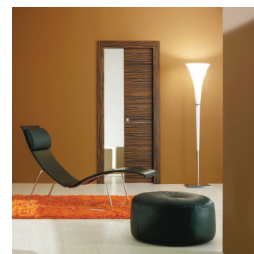
P.535.1-535.2

Max. Door Weight 275 lbs


**FD80-PD** Recessed

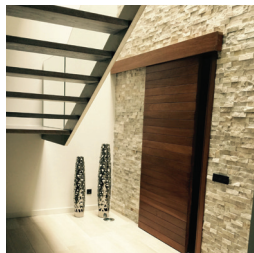
P.535.3-535.4

Max. Door Weight 600 lbs


**SDR-RA80-RM**

P.536~537

Max. Door Weight 200 lbs


**SDR-RA80-SM**

P.538~539

Max. Door Weight 200 lbs


**SDR-A125**

P.540~541

Max. Door Weight 275 lbs


**SDR-A300**

P.542~543

Max. Door Weight 600 lbs


**SDR-RA80SYN**

P.544~545 Synchronized

Max. Door Weight 176 lbs


**SDR-A125SYN**

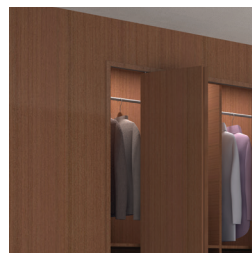
P.546~547 Synchronized

Max. Door Weight 275 lbs


**SFD**

P.548~551

Max. Door Weight 17.6 lbs


**FD30-F**

P.552~557

Max. Door Weight 33 lbs


**SDR-A84D**

P.558~559

Max. Door Weight 88 lbs

**SPECIALITY DOOR HARDWARE**


P.561~562

**LIN-X1000**

 Lateral Opening Door  
 Max. Door Weight 198 lbs


P.568~569

**LM-80**

 Self Closing Door  
 Max. Door Weight 66~176 lbs

SPECIALITY DOOR HARDWARE

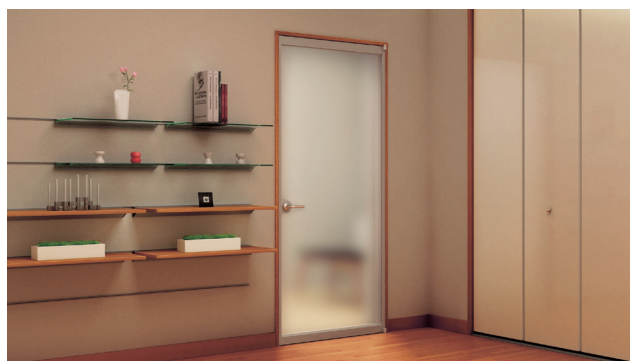


P.566~567

Flush Closing Door Max. Door Weight 66 lbs

MFU

ALUMINUM FRAME DOOR HARDWARE



P.570~572

Swing Open  
Max. Door Weight 88 lbs

AF-25D



P.574~577

Sliding Door/Soft Close Option  
Max. Door Weight 176 lbs

FD80-AF

GLASS SLIDING DOOR HARDWARE



P.582~583

Self Closing  
Max. Door Weight 66 ~ 176 lbs

LM-80G

# SLIDING DOOR SYSTEM ( Door Weight 66 lbs )

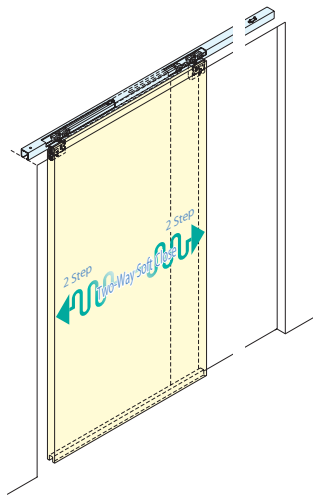
# FD30

SLIDING & FOLDING DOOR HARDWARE

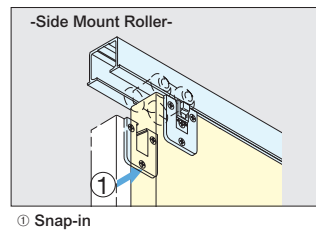
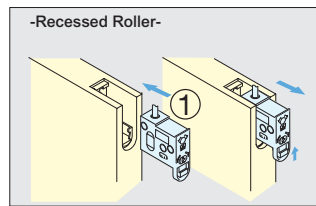


Type	FD30			
	Standard Sliding		One-way Soft Close	Two-way Soft Close
Roller	Recessed	Side Mount	Recessed	Recessed
Door Weight	Max. 66 lbs (30 kg)			
Door Thickness (Min.)	1"(24 mm)	1-1/8"(28 mm)	1"(24 mm)	
Door Width	Max. 39-3/8" (1000 mm)		20"~39-3/8" (510~1000 mm)	23-1/4"~39-3/8" (590~1000 mm)
Door Height	Max.94-1/2" (2400 mm)			

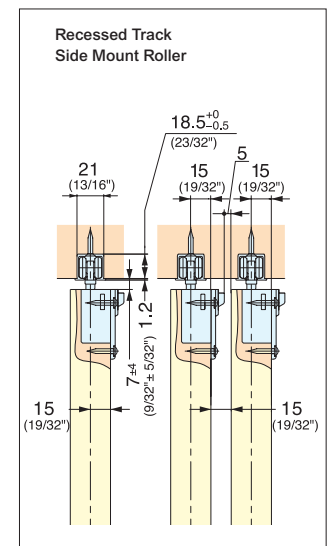
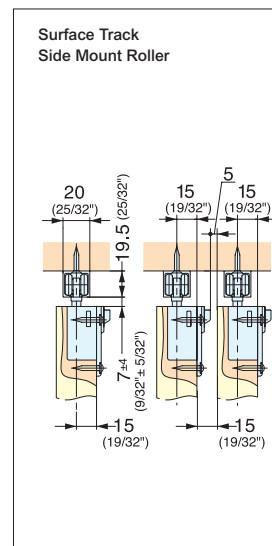
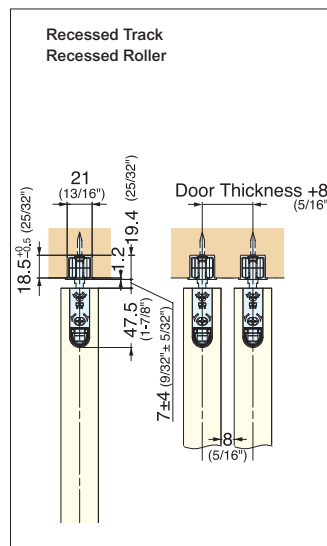
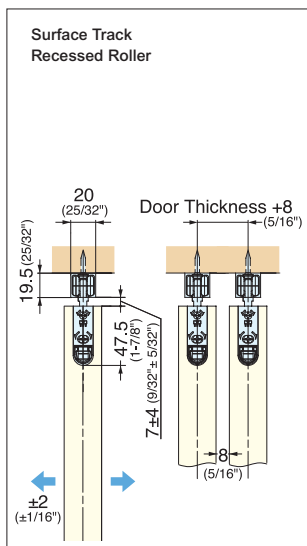
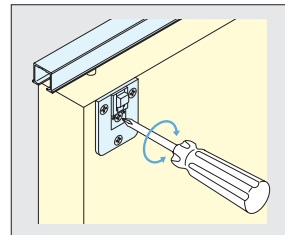
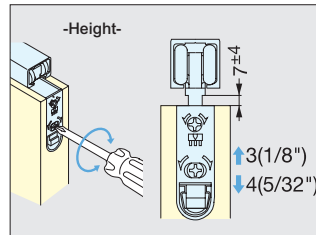
- Thin profile allows flexible design on various application
  - Soft-Close Type available by selecting each roller type
  - Various parts available for many applications
- \*Designed for interior use, not exterior.



### Door Installation



### Adjustment (With Phillips Screwdriver)



SLIDING DOOR SYSTEM ( DOOR WEIGHT 66 LBS )

Parts Set (per door)		Necessary Parts	
Please refer to "Qty [a]~[d]" for parts included in each set.			
Item No.	Description	Roller	Function
[a]	FD30-DHCP	Recessed	Two Way Soft-Close
[b]	FD30-HCP	Recessed	One Way Soft-Close
[c]	FD30-HHP	Recessed	Standard Sliding
[d]	FD30-HUP	Side-Mount	Standard Sliding

**Parts Included**

No.	Qty				Part Name	Description
	[a]	[b]	[c]	[d]		
1	1 pc	-	-	-	Recessed-Roller Soft-Closer (Two-Way) FD30-WRH-DSC	<ul style="list-style-type: none"> <li>Material Zinc Alloy/Polyacetal</li> <li>Finish Yellow Zinc Chromate /Light Brown</li> </ul>
2	-	1 pc	-	-	Recessed-Roller Soft-Closer (One-Way) FD30-WRH-SC	<ul style="list-style-type: none"> <li>Material Zinc Alloy/Polyacetal</li> <li>Finish Yellow Zinc Chromate /Light Brown</li> </ul>
3	1 pc	1 pc	2 pcs	-	Recessed-Roller Standard Sliding FD30-WRH	<ul style="list-style-type: none"> <li>Material Zinc Alloy/Polyacetal</li> <li>Finish Yellow Zinc Chromate /Light Brown</li> </ul>
4	-	-	-	2 pcs	Side-Mount Roller Standard Sliding FD30-WRU	<ul style="list-style-type: none"> <li>Material Steel/Polyacetal</li> <li>Finish Yellow Zinc Chromate /Brown</li> </ul>
5	1 pc	1 pc	1 pc	1 pc	Floor Guide FD30-HBG	<ul style="list-style-type: none"> <li>Material Steel/Polyamide</li> <li>Finish Yellow Zinc Chromate /Light Brown</li> </ul>
6	-	1 pc	2 pcs	2 pcs	End Stopper FD30-HTST-DB	<ul style="list-style-type: none"> <li>Material Steel/Polyacetal</li> <li>Finish Yellow Zinc Chromate /Brown</li> </ul>

**Optional Parts**

	Part Name	Description
7	Door Stopper FD30-HTKY	<ul style="list-style-type: none"> <li>Material Zinc Alloy/Rubber</li> <li>Finish/Grey</li> </ul>
8	Stopper Block FD30-HSB	<ul style="list-style-type: none"> <li>Material/Polyacetal</li> <li>Finish/Dark Brown</li> </ul>
9	Cover Cap FD30-WRH-CP	<ul style="list-style-type: none"> <li>Material Polypropylene</li> <li>Finish: Light Brown *Dark Brown/White</li> </ul>
10	Bottom Guide (For By-pass Door) FD30-HGW	<ul style="list-style-type: none"> <li>Material/Polyamide</li> <li>Finish/Light Brown</li> </ul>
11	Door Guide Track FD30-HBRT1500SIL	<ul style="list-style-type: none"> <li>Material/Aluminum</li> <li>Finish Anodized Silver</li> </ul>

**Upper Tracks**

	Length	Item No.		Dimension, Material / Finish		
		Surface Mount	Recessed Mount	Surface	Recessed	
Standard	71-5/8" (1820 mm)	FD30-TRM1820SIL	FD30-TRH1820SIL			
	107-1/2" (2730 mm)	FD30-TRM2730SIL	FD30-TRH2730SIL			
	143-5/16" (3640 mm)	FD30-TRM3640SIL	FD30-TRH3640SIL			
Soft-closing	71-5/8" (1820 mm)	FD30-TRM1820SCSIL	FD30-TRH1820SCSIL			Aluminum / Anodized Silver
	107-1/2" (2730 mm)	FD30-TRM2730SCSIL	FD30-TRH2730SCSIL			
	143-5/16" (3640 mm)	FD30-TRM3640SCSIL	FD30-TRH3640SCSIL			

# SLIDING POCKET DOOR SYSTEM (Surface Mount)

# FD80DHCMP-PD

SLIDING & FOLDING  
DOOR HARDWARE

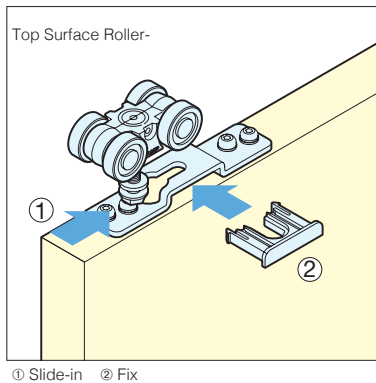
SLIDING DOOR SYSTEM ( DOOR WEIGHT 176 LBS )



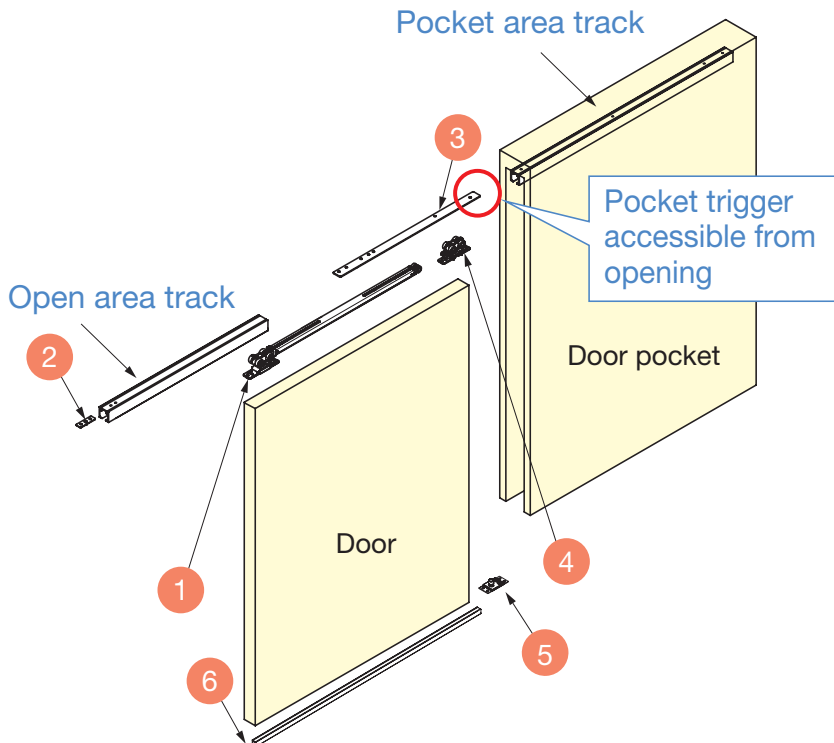
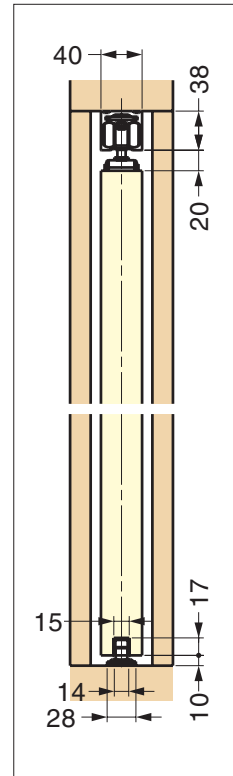
Door Weight	Max. 176 lbs (80 kg)
Door Thickness (Min.)	1-3/16" (30 mm)
Door Width	30-7/8" ~ 59-1/16" (784-1500 mm) [98-7/16" (2500 mm) or less in height] 33-7/16" ~ 59-1/16" (850-1500 mm) [98 7/16" ~ 106-5/16 (2501-2700 mm) in height]
Door Height	Max. 106-5/16" (2700 mm)

- Easy installation and maintenance
  - Built in soft-close and soft-open damper.
  - Two-rail system, allows all components to be fixed or adjusted through the opening without breaking the pocket (Sold Separately).
  - For interior use only.
  - Rollers are surface mounted to top of door.
  - High durability, passed 200,000 cycle test (private).
- NOTE:** Pocket Door Retail Kit (FD80PD-SM2-RT) includes hardware and 2160 mm track.

### Door Installation



Surface Track  
Top Surface Roller



Parts Set (Per Door)		Necessary Parts
Item Code	Item Name	Description
250-029-722	FD80DHCMP-PD	Surface Mount Roller Two-Way Soft Close

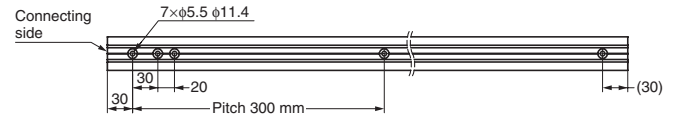
Parts Included

No.	Qty	Part Name	Dimensions	Description
1	1 pc	Surface Mount Roller Two-Way Soft Close		<p>Item Name: <b>FD80-WRM-DSC</b></p> <ul style="list-style-type: none"> <li>Material: Steel / Polyacetal (POM)</li> <li>Finish: Chromate / Black</li> <li>Screw: Pan Head Tapping Screw 4x45</li> </ul> <p>Remark: Do not use the included trigger.</p>
2	1 pc	Front Trigger		<p>Item Name: <b>FD80-TRGPF</b></p> <ul style="list-style-type: none"> <li>Material: Stainless Steel (SUS304)</li> <li>Finish: Plain</li> </ul>
3	1 pc	Pocket Trigger		<p>Item Name: <b>FD80-TRGPB-MB</b></p> <ul style="list-style-type: none"> <li>Material: Stainless Steel (SUS304)</li> <li>Finish: Plain</li> </ul>
4	1 pc	Surface Mount Roller		<p>Item Name: <b>FD80-WRM</b></p> <ul style="list-style-type: none"> <li>Material: Zinc Alloy (ZDC) / Polyacetal (POM)</li> <li>Finish: Nickel / Natural</li> <li>Screw: Pan Head Tapping Screw 4x45</li> </ul>
5	1 pc	Floor Guide		<p>Item Name: <b>FD50-BGR18</b></p> <ul style="list-style-type: none"> <li>Material: Stainless Steel (SUS430) / Polyacetal (POM)</li> <li>Finish: Countersunk / Natural</li> <li>Screw: Pan Head Tapping Screw 4x45</li> </ul>
6	1 pc	Bottom Guide Rail (1500 mm)		<p>Item Name: <b>FD30-HBRT1500SIL</b></p> <ul style="list-style-type: none"> <li>Material: Aluminium Alloy</li> <li>Finish: Anodized Silver</li> </ul>

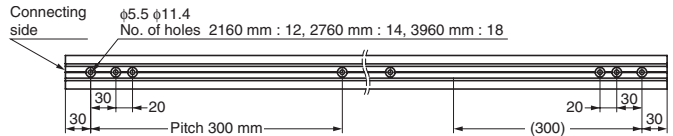
Upper Track		Necessary Parts			
No.	Length	Item Code	Part Name	Dimensions	Desc.
7	1260 mm	FD80-TRP1260-SL	Upper Track		<ul style="list-style-type: none"> <li>Material: Aluminium Alloy</li> <li>Finish: Anodized Silver</li> </ul>
8	2160 mm	FD80-TRP2160-SL			
9	2760 mm	FD80-TRP2760-SL			
10	3960 mm	FD80-TRP3960-SL			

Hole Dimensions of Upper Track

In case of 1260 mm



In case of 2160 mm, 2760 mm & 3960 mm



# SLIDING POCKET DOOR SYSTEM (Recessed Mount) FD80DHCHP-PD

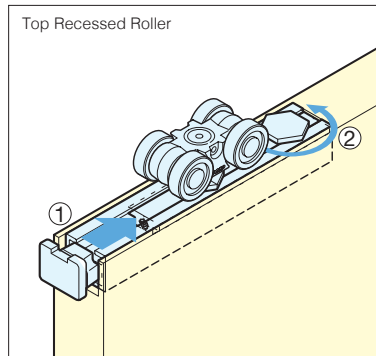


Door Weight	Max. 176 lbs (80 kg)
Door Thickness (Min.)	Recessed: 1-5/16" (34 mm), Surface: 1-3/16" (30 mm)
Door Width	30-7/8" ~ 59-1/16" (784-1500 mm) [98-7/16" (2500 mm) or less in height] 33-7/16" ~ 59-1/16" (850-1500 mm) [98 7/16" ~ 106-5/16 (2501-2700 mm) in height]
Door Height	Max. 106-5/16" (2700 mm)

- Easy installation and maintenance
- Built in soft-close and soft-open damper.
- Two-rail system, allows all components to be fixed or adjusted through the opening without breaking the pocket (Sold Separately).
- For interior use only.
- Rollers are recess mounted to top of door.
- High durability, passed 200,000 cycle test (private)

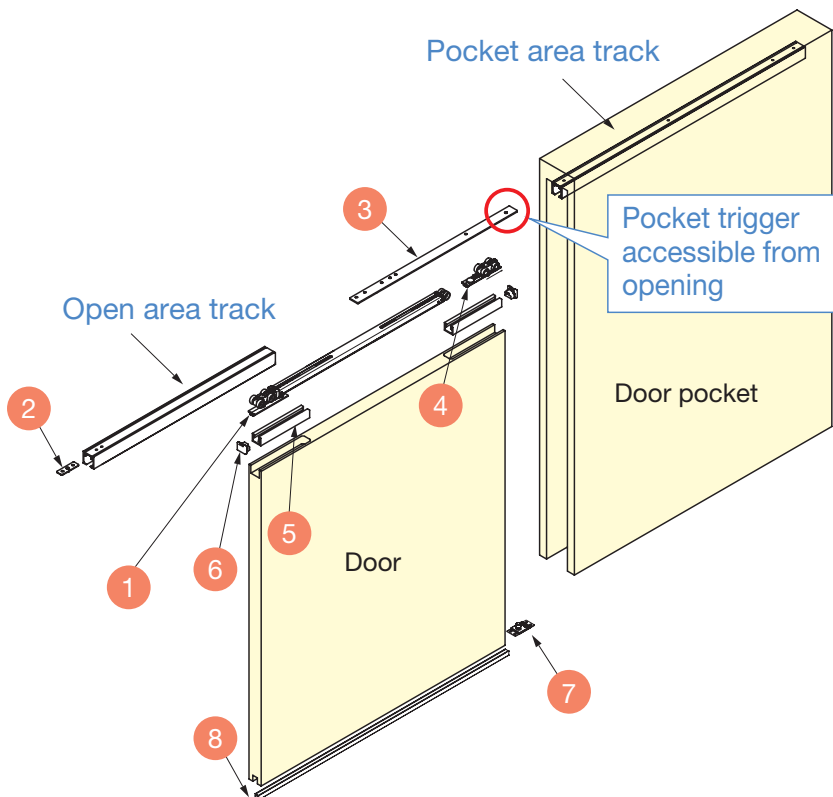
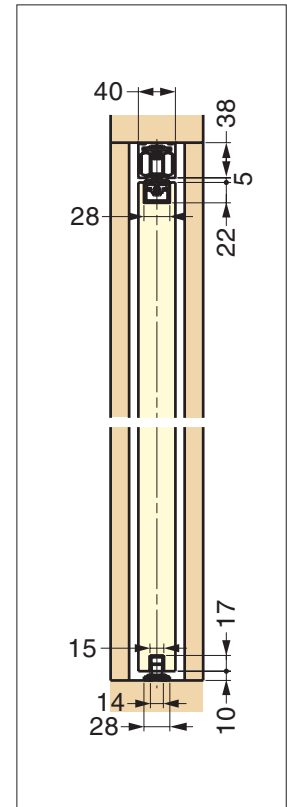
**NOTE:** Pocket Door Retail Kit (FD80PD-RM2-RT) includes hardware and 2160 mm track.

## Door Installation



① Slide-in ② Turn & Fix

Surface Track  
Top Recessed Roller





Parts Set (Per Door)		Necessary Parts
Item Code	Item Name	Description
250-029-771	FD80DHCHP-PD	Recessed Roller Two-Way Soft Close

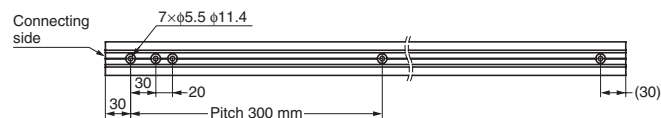
Parts Included

No.	Qty	Part Name	Dimensions	Description
1	1 pc	Recessed Mount Roller Two-Way Soft Close		<p>Item Name: <b>FD80-WRH-DSC</b></p> <ul style="list-style-type: none"> <li>Material: Zinc Alloy (ZDC) / Polyacetal (POM)</li> <li>Finish / Colour: Nickel / Black</li> </ul> <p>Remarks: Do not use the included trigger.</p>
2	1 pc	Front Trigger		<p>Item Name: <b>FD80-TRGPF</b></p> <ul style="list-style-type: none"> <li>Material: Stainless Steel (SUS304)</li> <li>Finish: Plain</li> </ul>
3	1 pc	Pocket Trigger		<p>Item Name: <b>FD80-TRGPB-MB</b></p> <ul style="list-style-type: none"> <li>Material: Stainless Steel (SUS304)</li> <li>Finish: Plain</li> </ul>
4	1 pc	Recessed Roller		<p>Item Name: <b>FD80-WRH</b></p> <ul style="list-style-type: none"> <li>Material: Zinc Alloy (ZDC) / Polyacetal (POM)</li> <li>Finish / Colour: Nickel / Natural</li> </ul>
5	2 pcs	Hanging Bracket (160 mm)		<p>Item Name: <b>FD70B-HB160</b></p> <ul style="list-style-type: none"> <li>Material: Aluminium Alloy</li> <li>Finish: Anodized Silver</li> <li>Screw: Pan Head Tapping Screw 5x40</li> </ul>
6	2 pcs	End Cap		<p>Item Code: 250-121-142</p> <p>Item Name: <b>FD70B-EC-BL</b></p> <ul style="list-style-type: none"> <li>Material: Elastomer (TPE)</li> <li>Colour: Black</li> </ul>
7	1 pc	Floor Guide		<p>Item Name: <b>FD50-BGR18</b></p> <ul style="list-style-type: none"> <li>Material: Stainless Steel (SUS430) / Polyacetal (POM)</li> <li>Finish / Colour: Polished / Natural</li> <li>Screw: Raised Countersunk Head Tapping Screw 3.5x30</li> </ul>
8	1 pc	Bottom Guide Rail (1500 mm)		<p>Item Name: <b>FD30-HBRT1500SIL</b></p> <ul style="list-style-type: none"> <li>Material: Aluminium Alloy</li> <li>Finish: Anodized Silver</li> </ul>

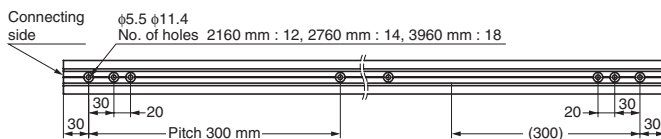
Upper Track		Necessary Parts			
No.	Length	Item Code	Part Name	Dimensions	Desc.
9	1260 mm	FD80-TRP1260-SL	Upper Track		<ul style="list-style-type: none"> <li>Material: Aluminium Alloy</li> <li>Finish: Anodized Silver</li> </ul>
10	2160 mm	FD80-TRP2160-SL			
11	2760 mm	FD80-TRP2760-SL			
12	3960 mm	FD80-TRP3960-SL			

Hole Dimensions of Upper Track

In case of 1260 mm



In case of 2160 mm, 2760 mm & 3960 mm



# RECESSED MOUNT SLIDING DOOR HARDWARE ( Door Weight 200 lbs ) SDR-RA80-RM

SLIDING & FOLDING DOOR HARDWARE

RECESSED MOUNT SLIDING DOOR HARDWARE ( DOOR WEIGHT 200 LBS )



Type	SDR-RA80-RM	
	Recessed Mount Sliding Door	
Roller	Top Recessed	
Track Mounting	Ceiling	Wall w/Continuous Bracket
Door Weight	Max. 200 lbs (90 kg)	
Door Thickness	Min. 1-1/8"(28 mm)	
Door Width	Two-Way Soft Close Min. 33-7/16" (850 mm) Standard Close Min. 23-5/8" (600 mm)	

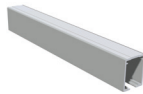
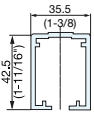

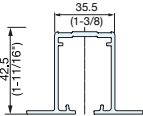
- Successfully passed 100,000 cycles test (private).
- 200 lbs (90kg)
- Ceiling and Barn Door Mount
- Recessed Mounted door brackets
- Double rollers with ball bearings
- Quiet precision movement
- Soft Close Feature
- Low profile minimum gap of 1/8" (3 mm)
- Vertical Adjustment  $\pm 1/16"$  (1 mm)

■ How to order

1. Select track and track length
  - 1A. Select any optional parts for track
2. Choose a hardware set (dual soft closing or standard)

## Ordering Information





■ 1. Track Options

Track Type	Length	Item No.	Description
Standard Aluminum Track	78-3/4" (2000 mm)	SDR-RA80-2000	 
	118-1/8" (3000 mm)	SDR-RA80-3000	
False Ceiling Aluminum Track	78-3/4" (2000 mm)	SDR-RA80-TC-2000	 

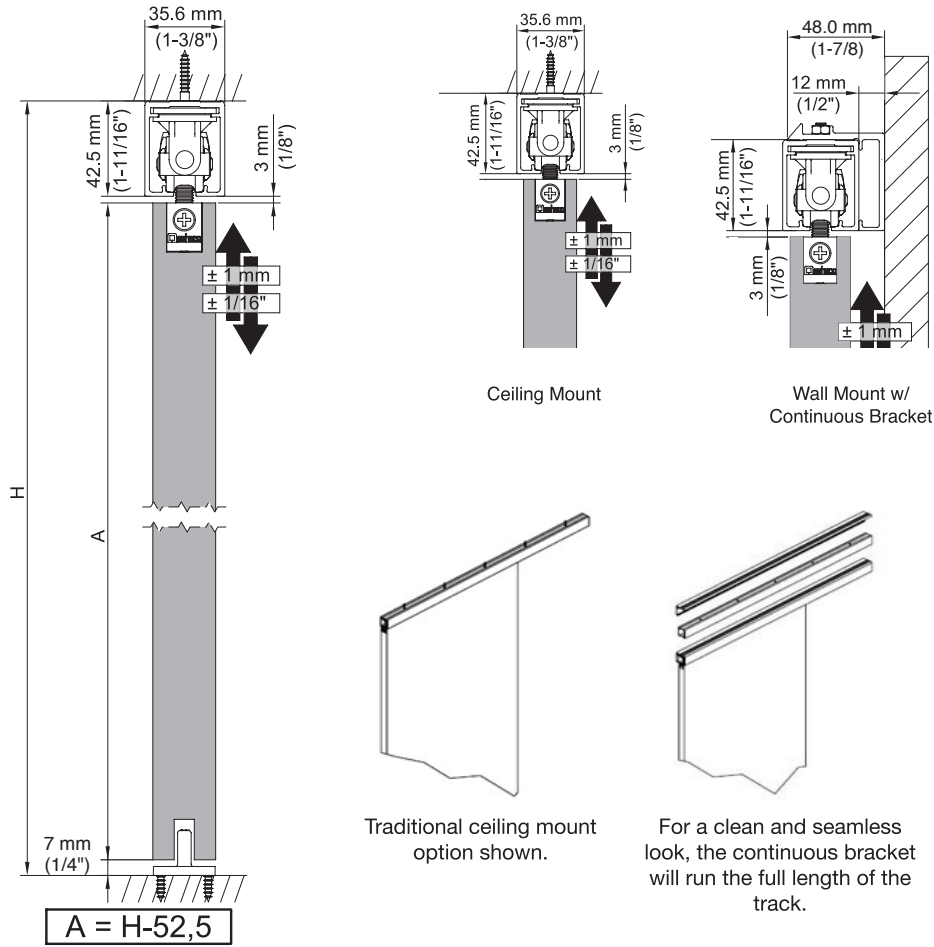
■ 1A Optional Parts for Track

 SDR-RA80WL-2000 SDR-RA80WL-3000 Wall Mount Bracket	 SDR-RA80-8083 End Cover for Track	 SDR-RA80-8085 End Cover for Track & Wall Mount Bracket	 SDR-A-4140 Bottom Guide Roller	 SDR-A-4131 Bottom Guide Channel
---	---	--	---	---

■ 2. Hardware Set

Closing Feature	Item No.	Set Details
Two-Way Soft Close	SDR-RA80-RM-DSC	 +  (1) SDR-RA80-8084 Recessed Bracket      (2) SDR-RA80-8006 Soft Close Rollers
Standard Closing	SDR-RA80-RM-RR	 +  (1) SDR-RA80-8084 Recessed Bracket      (2) SDR-RA80-8080 Standard Rollers

TRACK MOUNTING OPTIONS

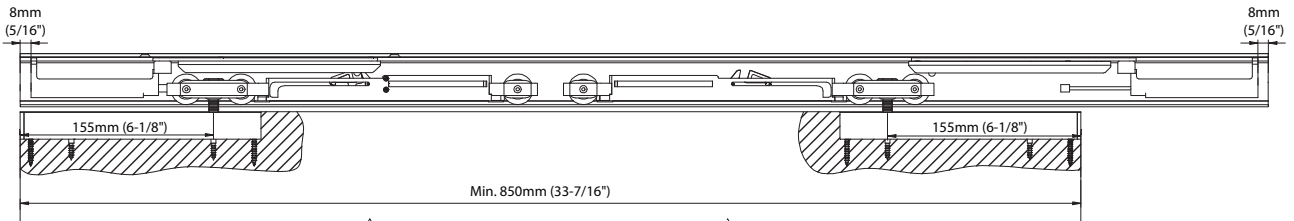


For a clean and seamless look, the continuous bracket will run the full length of the track.

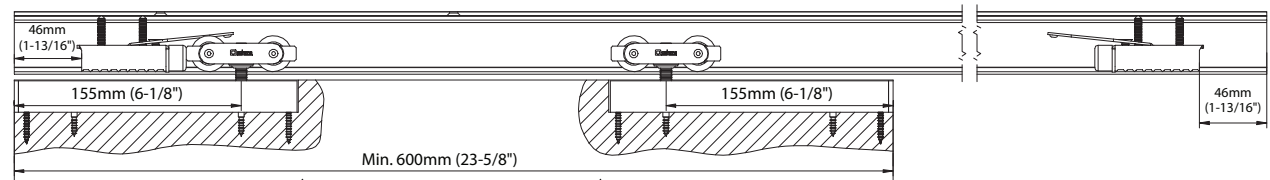
Track Details

Two-Way Soft Close

\* Complete smooth and silent soft close motion in both directions



Standard Closing



# SURFACE MOUNT SLIDING DOOR HARDWARE ( Door Weight 200 lbs )

# SDR-RA80-SM

SLIDING & FOLDING DOOR HARDWARE

SURFACE MOUNT SLIDING DOOR HARDWARE ( DOOR WEIGHT 200 LBS )



Type	SDR-RA80-SM	
	Surface Mount Sliding Door	
Roller	Top Surfaced	
Track Mounting	Ceiling	Wall w/Continuous Bracket
Door Weight	Max. 200 lbs (90 kg)	
Door Thickness	Min. 1-1/8" (28 mm)	
Door Width	Two-Way Soft Close Min. 32-1/2" (825 mm) Standard Close Min. 23-5/8" (600 mm)	

- Successfully passed 100,000 cycles test (private).
- 200 lbs (90kg)
- Ceiling and Barn Door Mount
- Surface Mounted door brackets
- Double rollers with ball bearings
- Quiet precision movement
- Soft Close Feature
- Vertical Adjustment  $\pm 1/16"$  (1 mm)

■ How to order

1. Select track and track length
  - 1A. Select any optional parts for track
2. Choose a hardware set (dual soft closing or standard)

## Ordering Information

■ 1. Track Options

Track Type	Length	Item No.	Description
Standard Aluminum Track	78-3/4" (2000 mm)	SDR-RA80-2000	
	118-1/8" (3000 mm)	SDR-RA80-3000	
False Ceiling Aluminum Track	78-3/4" (2000 mm)	SDR-RA80-TC-2000	

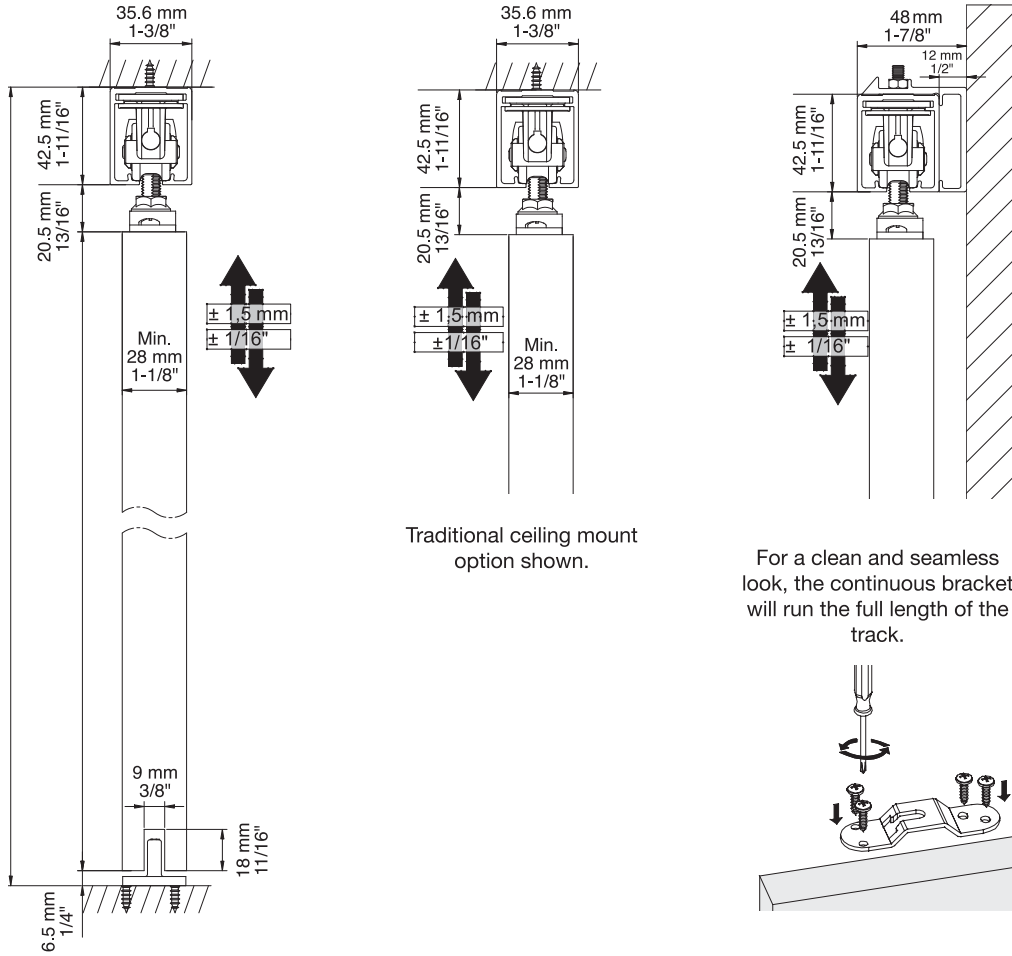
■ 1A Optional Parts for Track

<p>SDR-RA80WL-2000 SDR-RA80WL-3000 Wall Mount Bracket</p>	<p>SDR-RA80-8083 End Cover for Track</p>	<p>SDR-RA80-8085 End Cover for Track &amp; Wall Mount Bracket</p>	<p>SDR-A-4140 Bottom Guide Roller</p>	<p>SDR-A-4131 Bottom Guide Channel</p>
---	--	---	---	--

■ 2. Hardware Set

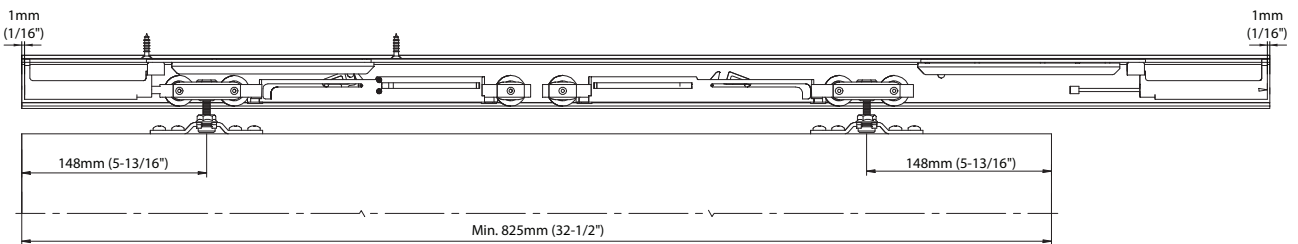
Closing Feature	Item No.	Set Details
Dual Soft Close	SDR-RA80-SM-DSC	<p>(1) SDR-RA80-SM-KIT Surface Mount Brackets</p> <p>+</p> <p>(2) SDR-RA80-8006 Soft Close Rollers</p>
Standard Closing	SDR-RA80-SM-RR	<p>(1) SDR-RA80-SM-KIT Surface Mount Brackets</p> <p>+</p> <p>(2) SDR-RA80-8080 Standard Rollers</p>

TRACK MOUNTING OPTIONS

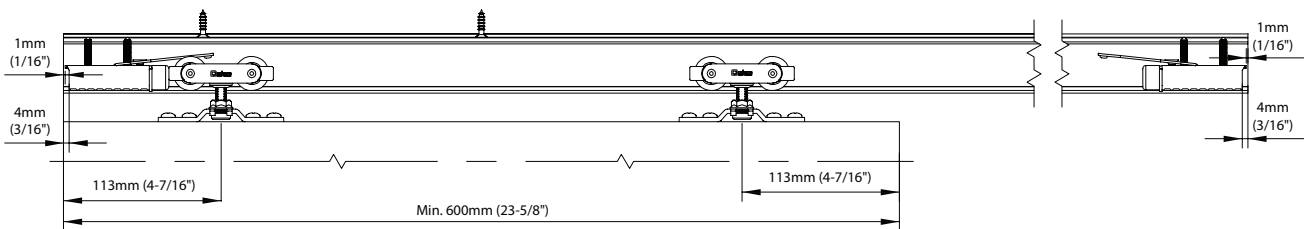


Two-Way Soft Close

\* Complete smooth and silent soft close motion in both directions



Standard Closing



# SLIDING DOOR HARDWARE ( Door Weight 275 lbs )

# SDR-A125

SLIDING & FOLDING DOOR HARDWARE

SLIDING DOOR HARDWARE ( DOOR WEIGHT 275 LBS )



Type	SDR-A125	
	Standard Sliding	
Roller	Top Recessed	Top Surface
Door Weight	Max. 275 lbs (125 kg)	
Door Thickness	Min. 1-3/8" (35 mm)	
Door Width	Min. 19-11/16" (500 mm)	

- 275 lbs (125 kg)
- Ceiling mount
- Recessed and Top Surface Mounted door brackets
- Double rollers with ball bearings
- Quiet precision movement
- Low profile minimum gap of 1/8" (3 mm) Recess mount
- Vertical Adjustment
  - o Recessed mount  $\pm 1/16"$  (1 mm)
  - o Surface mount  $\pm 1/8"$  (2.5 mm)

■ How to order

1. Select track and track length
  - 1A. Select any optional parts for track
2. Select a hardware set

## Ordering Information

■ 1. Track Options

Track Type	Length	Item No.	Description
Standard Aluminum Track	118-1/8" (3000 mm)	SDR-A125-3000	
False Ceiling Aluminum Track	118-1/8" (3000 mm)	SDR-A125-12532	

■ 1A Optional Parts for Track

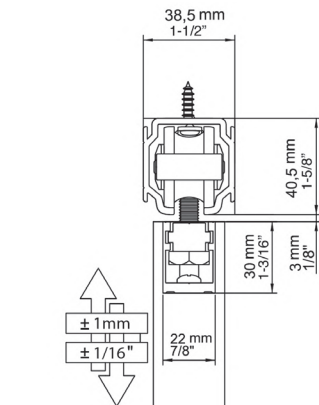
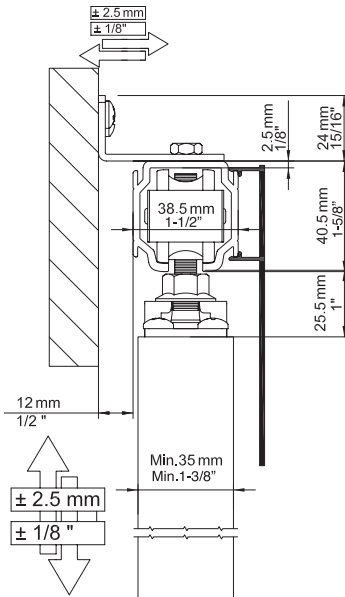
 SDR-A125-10433 Clip on Fascia	 SDR-A-6056 Clip on Bracket for Timber	 SDR-A125-12557 End Caps for Track	 SDR-A81-6961 Aluminum Separator
 SDR-A-4131 Bottom Guide Channel	 SDR-A-4140 Bottom Guide Roller	 SDR-A300-30064 Short Bracket	

■ 2. Hardware Set

Door Mount	Item No.	Set Details
Top Recessed	SDR-A125TR-PRT	 Top Recessed Roller Set
Top Surface	SDR-A125TS-PRT	 Top Surface Roller Set

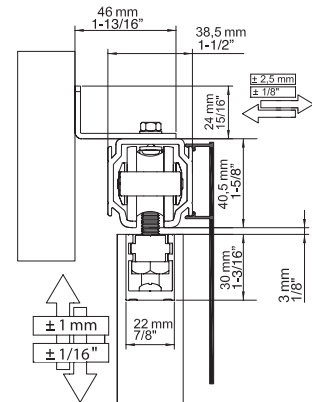
TRACK MOUNTING OPTIONS

Top Recessed (SDR-A125TR)



Ceiling Mount

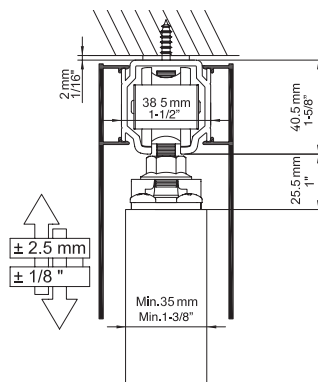
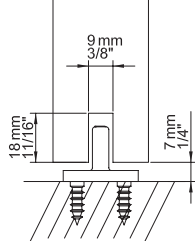
Traditional Ceiling mount option shown with recessed rollers.



Wall Mount w/ Short Bracket

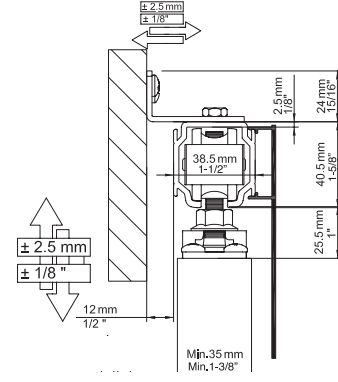
Top track short bracket for Barn Door style mounting that allows fast and simple installation.

Top Surface (SDR-A125TS)



Ceiling Mount

Traditional Ceiling mount option shown. Fascia can be mounted on both sides if needed

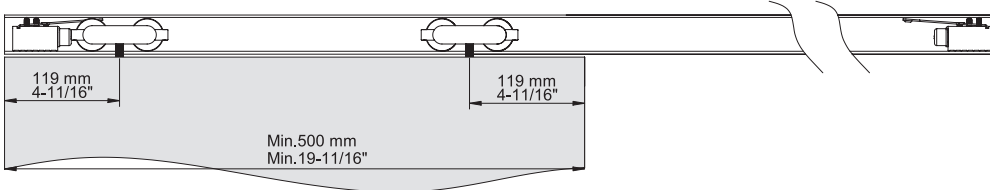


Wall Mount w/ Short Bracket

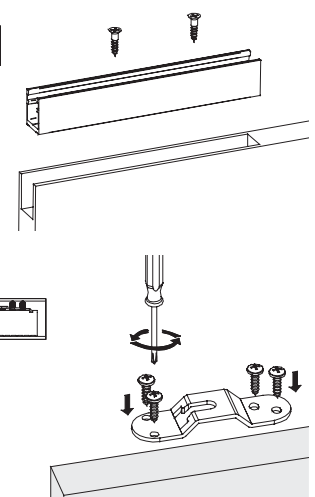
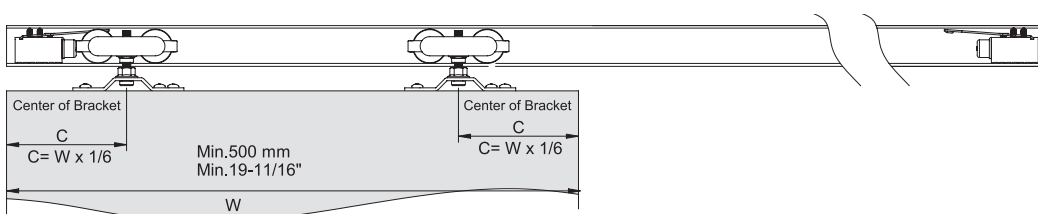
Top track short bracket for Barn Door style mounting that allows fast and simple installation.

Track Details

Top Recessed



Top Surface



# SLIDING DOOR HARDWARE ( Door Weight 660 lbs )

# SDR-A300

SLIDING & FOLDING DOOR HARDWARE

SLIDING DOOR HARDWARE ( DOOR WEIGHT 660 LBS )



Type	SDR-A300	
	Standard Sliding	
Roller	Top Recessed	Top Surfaced
Door Weight	Max. 660 lbs (300 kg)	
Door Thickness	Min. 1-3/8" (35 mm)	
Door Width	Min. 23-5/8" (600 mm)	

- 660 lbs (300 kg) Heavy Duty Model
- Ceiling and Barn Door Mount
- Recessed and Top Surface Mounted door brackets
- Double rollers with ball bearings
- Quiet precision movement
- Low profile minimum gap of 1/8" (3 mm) Recess Mount
- Vertical Adjustment  $\pm 1/16"$  (1 mm)
  - o Recessed mount  $\pm 1/4"$  (6 mm)
  - o Surface mount  $\pm 1/16"$  (2 mm)

■ How to order

1. Select track and track length
  - 1A. Select any optional parts for track
2. Select a mounting type

## Ordering Information

■ 1. Track Options

Track Type	Length	Item No.	Description	
Standard Aluminum Track	118-1/8" (3000 mm)	SDR-A300-3000		

■ 1A Optional Parts for Track

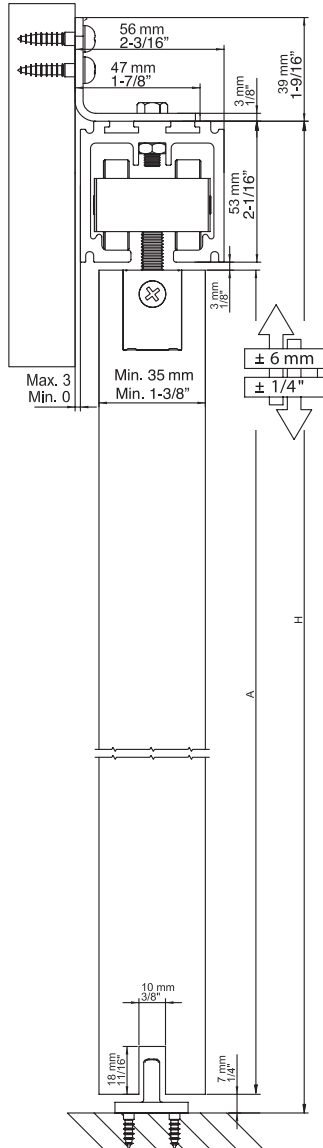
SDR-A-4131 Bottom Guide Channel	SDR-A300-30057 End Caps for Tracks	SDR-A-4140 Bottom Guide Roller	SDR-A300-30064 Short Bracket

■ 2. Hardware Set

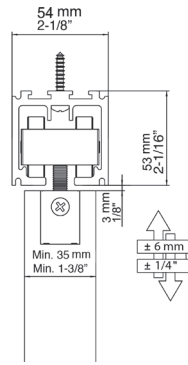
Door Mount	Item No.	Set Details
Top Recessed	SDR-A300TR-PRT	 Top Recessed Roller Set
Top Surface	SDR-A300TS-PRT	 Top Surface Roller Set



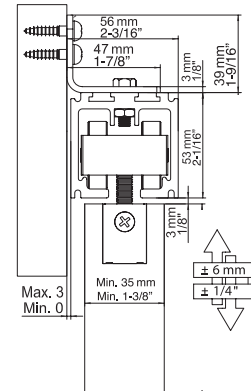
TRACK MOUNTING OPTIONS



Top Recessed (SDR-A300TR)

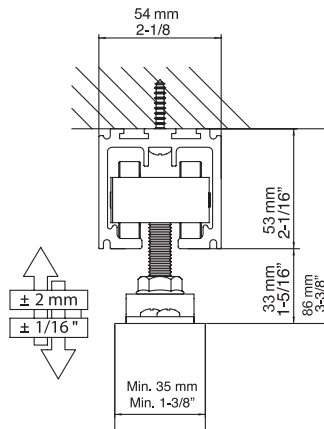


Ceiling Mount  
Traditional Ceiling mount option shown with recessed rollers.

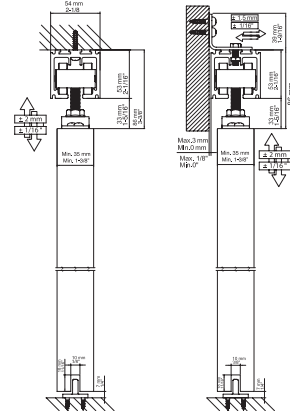


Wall Mount w/ Short Bracket  
Top track short bracket for Barn Door style mounting that allows fast and simple installation.

Top Surface (SDR-A300TS)



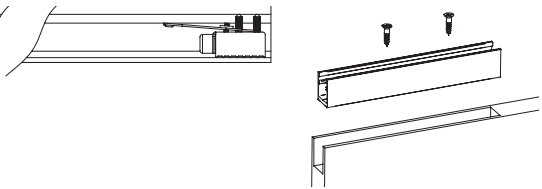
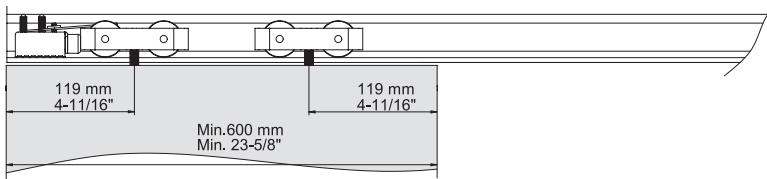
Ceiling Mount  
Traditional Ceiling mount option shown. Fascia can be mounted on both sides if needed



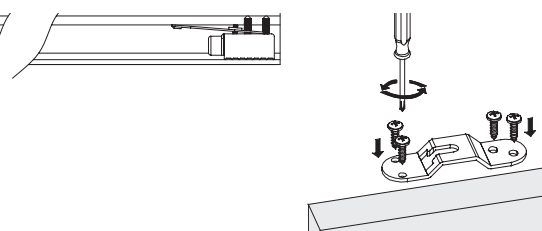
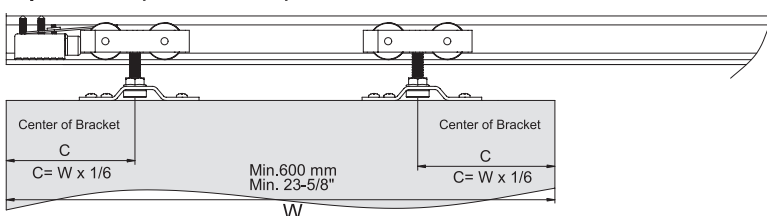
Wall Mount w/ Short Bracket  
Top track short bracket for Barn Door style mounting that allows fast and simple installation.

Track Details

Top Recessed (SDR-A300TR)



Top Surface (SDR-A300TS)



# SOFT-CLOSE SYNCHRONIZED SLIDING DOOR HARDWARE SDR-RA80SYN

SLIDING & FOLDING DOOR HARDWARE

SOFT-CLOSE SYNCHRONIZED SLIDING DOOR HARDWARE



Type	SDR-RA80SYN	
	Synchronized Bi-Parting	
Roller	Top Surface Mount	
Track Mounting	Ceiling	Wall w/Continuous Bracket
Door Weight	Max. 176 lbs (80 kg)	
Door Thickness	Min. 1-1/16" (27 mm)	
Door Width	40 kg door (88 lbs) Min: 28-1/8" (715 mm) Max: 59-1/16" (1500 mm)	80 kg door (176 lbs) Min: 36" (915 mm) Max: 59-1/16" (1500 mm)

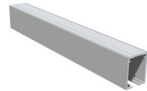
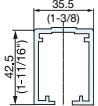
- Successfully passed 100,000 cycles test (private).
- 176 lbs (80 kg)
- Ceiling and Wall/Barn Door Mount
- Surface Mounted Door Brackets
- Double Rollers with Ball Bearings
- Quiet Precision Movement
- Soft Close Feature
- Vertical Adjustment  $\pm 1/16"$  (1 mm)

■ How to order

1. Select track and track length
  - 1A. Select any optional parts for track
2. Choose a hardware set

## Ordering Information



■ 1. Track Options

Track Type	Length	Item No.	Description
Standard Aluminum Track	78-3/4" (2000 mm)	SDR-RA80-2000	 
	118-1/8" (3000 mm)	SDR-RA80-3000	

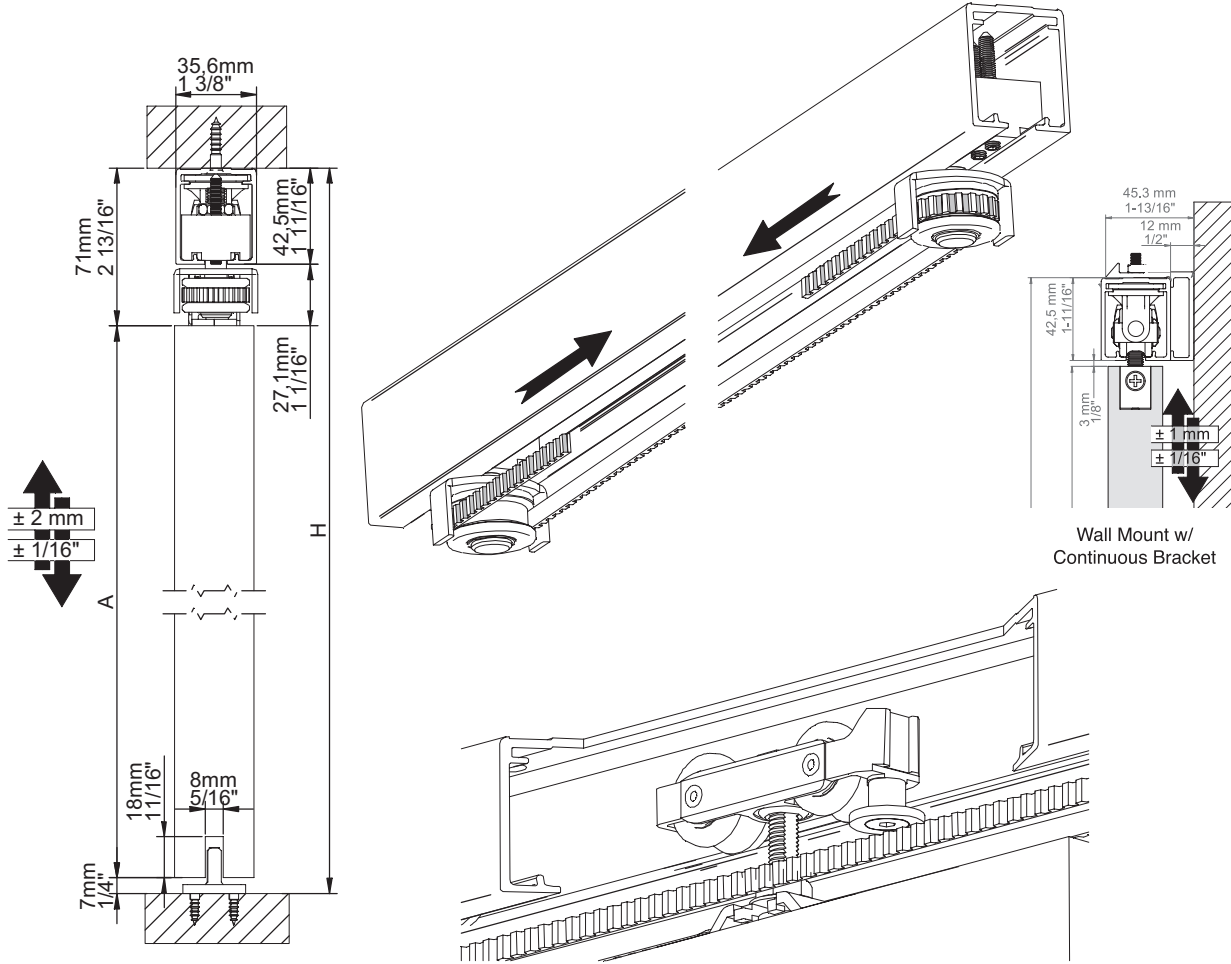
■ 1A Optional Parts for Track

 SDR-RA80WL-2000 SDR-RA80WL-3000 Wall Mount Bracket	 SDR-RA80-8083 End Cover for Track	 SDR-RA80-8085 End Cover for Track & Wall Mount Bracket
---	---	--

■ 2. Hardware Set

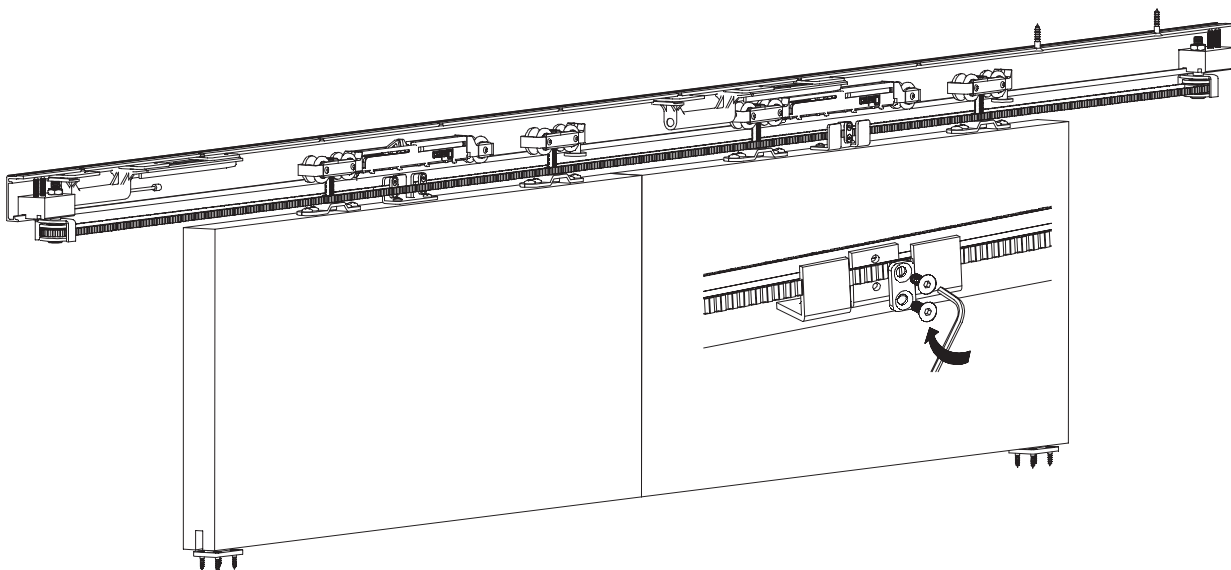
Load Rating (Per Door)	Item No.	Set Details
up to 88 lbs (40 kg)	SDR-RA80SYN-40	 Roller & Surface Door Mount Synchronized Set
up to 176 lbs (80 kg)	SDR-RA80SYN-80	 Roller & Surface Door Mount Synchronized Set

TRACK MOUNTING OPTIONS



This synchronous system allows 2 doors to open simultaneously. Can hold doors up to 88 lbs or 176 lbs., depending on the door width.

Synchronized system features an anti jump feature attached to the rollers.



# SYNCHRONIZED SLIDING DOOR HARDWARE ( Door Weight 275 lbs per door ) SDR-A125SYN

SLIDING & FOLDING  
DOOR HARDWARE

SYNCHRONIZED SLIDING DOOR HARDWARE ( DOOR WEIGHT 275 LBS PER DOOR )



Type	SDR-A125SYN
	Bi-Parting Synchronizing
Track Mounting	Ceiling
Door Weight	Max. 275 lbs (125 kg)
Door Thickness	Min. 1-3/8" (35 mm)
Door Width	23-5/8" (600 mm) ~ 47-1/4" (1200 mm)


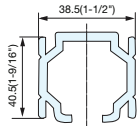
- 275 lbs (125 kg)
- Smooth Bi-Parting synchronized function
- Ceiling Mount
- Surface Mounted door brackets
- Double rollers with ball bearings
- Quiet precision movement
- Vertical Adjustment  $\pm 1/8"$  (2.5 mm)

How to order


1. Choose track and track length
  - 1A. Select any optional parts for track
2. Select a hardware set

## Ordering Information

### 1. Track Options

Track Type	Length	Item No.	Description
Standard Aluminum Track	118-1/8" (3000 mm)	SDR-A125-3000	 

### 1A Optional Parts for Track

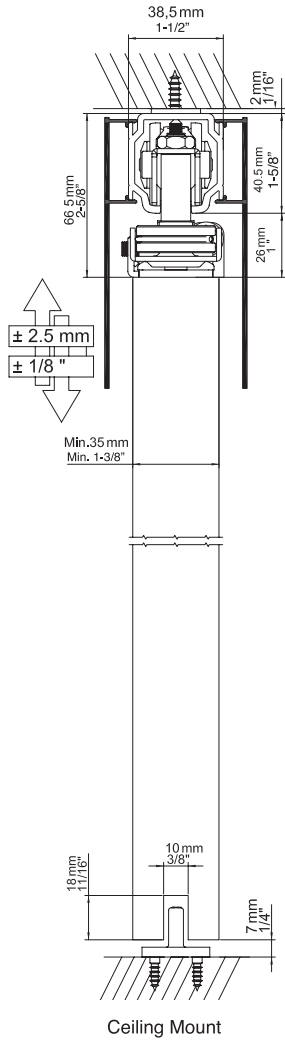
 SDR-A-125-10433 Anodized Aluminum Fascia (3000 mm)	 SDR-A81-6061 Aluminum Separator
--	---

\* If installing fascia for ceiling mount, one per each fixing point

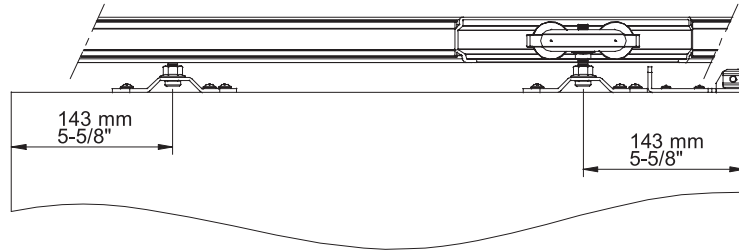
### 2. Hardware Set

Door Mount	Item No.	Set Details
Surface Bracket with Synchronized Bracket Set	SDR-A125SYN-KIT	 (2) SDR-A125TS-PRT + (1) SDR-A125SYN-PRT

TRACK MOUNTING OPTIONS

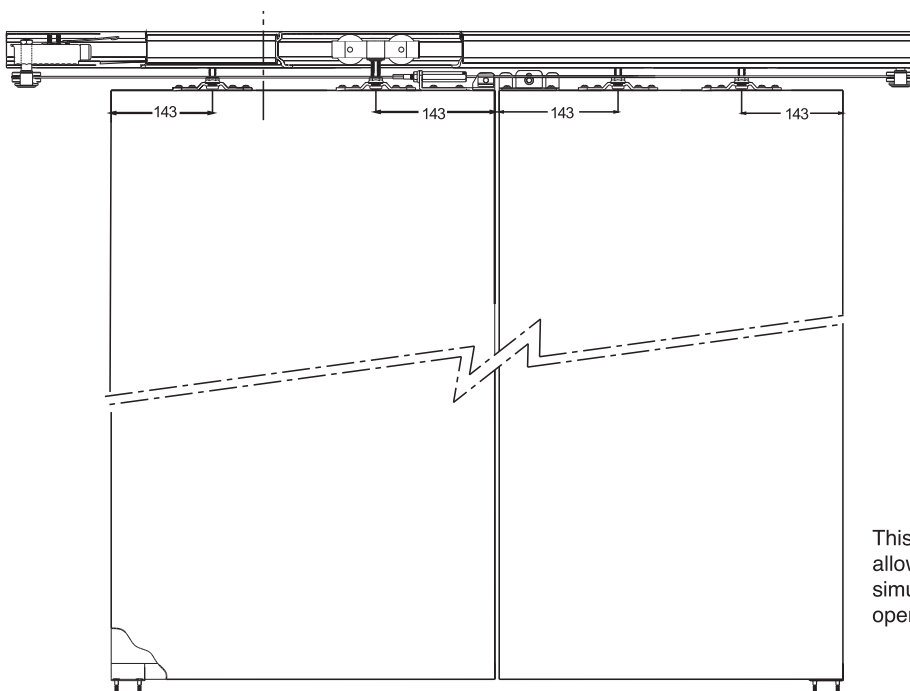
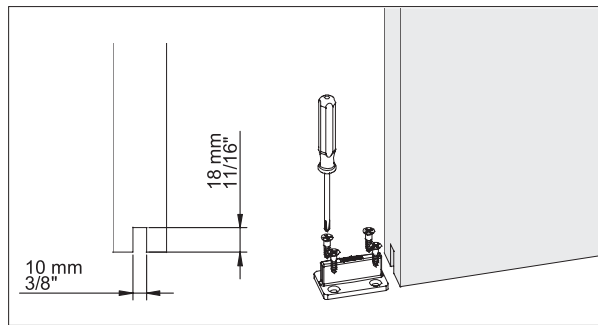


Ceiling Mount



The Bi-parting Synchronized door system allows for wider door openings in a variety of spaces. The top hung doors leave the floor free of tracks and make this system desirable for entrances to conference rooms, kitchen or bathrooms.

■ Floor Guide Installation



This synchronous system allows 2 sliding doors to open simultaneously. Can be applied to opening of 7' and 10-1/2".

# SELF AND SOFT-CLOSE FOLDING DOOR SYSTEM



**SFD**

SLIDING & FOLDING DOOR HARDWARE

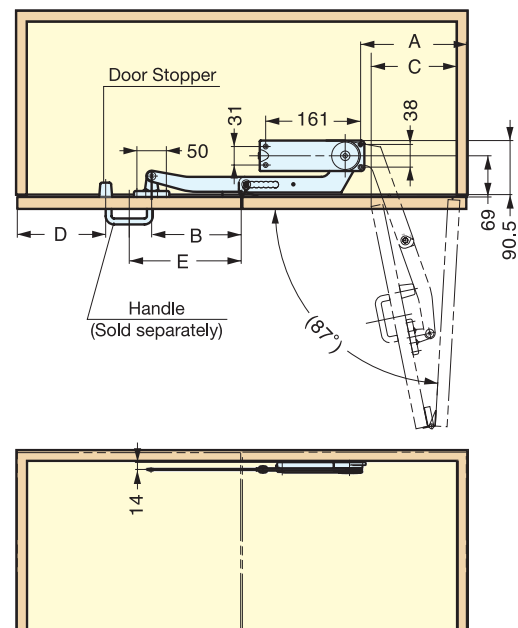
SELF AND SOFT-CLOSE FOLDING DOOR SYSTEM



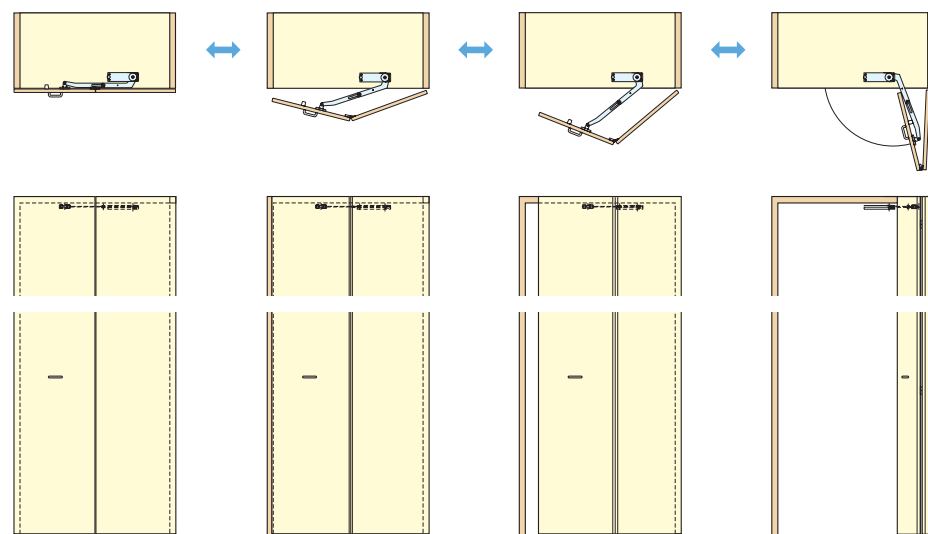
- Unique soft close mechanism ideal for cabinets.
- Dampening mechanism provides smooth and soft close movement.
- No guide rail on top and bottom.
- Arm length adjustable to fit different door width.
- Easy Installation.

Item No.	Door Height	Door Width	Door Weight	Door Thickness
SFD-3L-R (Right Open)	Max. 2600 mm (102-3/8")	380~460 mm (14-61/64"~18-7/64") / Door	Max. 8 kg (17.6 lbs) / Door	20 mm (3/4")
SFD-3L-L (Left Open)				

Door Width	Applicable Door Width	Arm Adjustment point	A	B	C	D	E
380	375~385	1	179.5	152	(145)	(150)	(190)
390	385~395	2	184.5	155	(150)	(155)	(195)
400	395~405	3	189.5	158	(154)	(160)	(200)
410	405~415	4	194.5	161	(158)	(165)	(205)
420	415~425	5	199.5	164	(162)	(170)	(210)
430	425~435	6	204.5	167	(168)	(170)	(215)
440	435~445	7	209.5	170	(172)	(175)	(220)
450	445~455	8	214.5	173	(177)	(180)	(225)
460	455~465	9	219.5	176	(181)	(180)	(230)



Door Opening / Closing

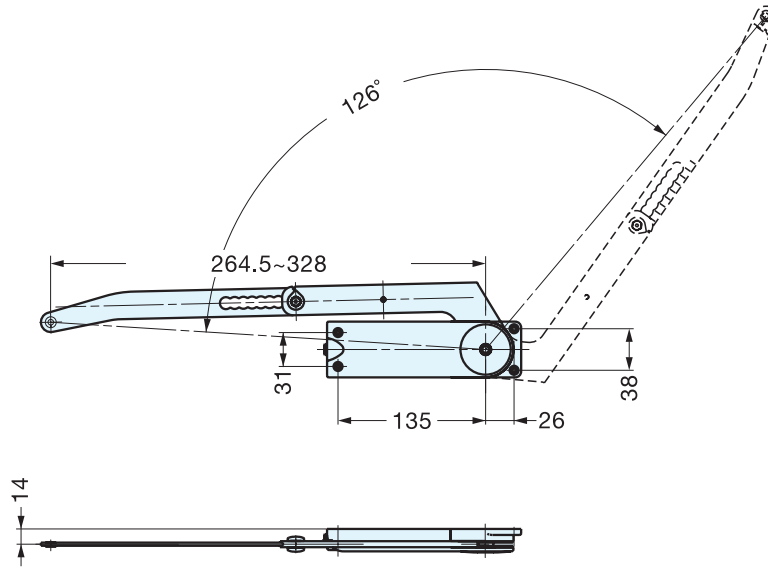


Door Height	Required Quantity	
	Center Hinge ②	Concealed Hinge ④ Plate ③
~500 mm	2	2
500~1000 mm	2	3
1000~1500 mm	3	4
1500~2000 mm	4	5
2000~2600 mm	4	6

Part Details

No.	Item No.	Part Name		Dimensions	Quantity	Description
①	SFD-3L-R/L (Right Open is shown)	Soft Closing Door Mechanism		Dimension 1 (P.576)	1 pc	Reference 1 (P.576)
②	CH-75/NI	Center Hinge		Dimension 2 (P.576)	Necessary quantity (see table)	Reference 2 (P.576)
	CH-75/GB					
③	230-P4W-32T	Mounting Plate		Dimension 3 (P.576)	Necessary quantity (see table)	Reference 3 (P.576)
④	H230-26/16T	Overlay Door Concealed Hinge		Dimension 4 (P.577)	Necessary quantity (see table)	Reference 4 (P.577)
	H230-26/0T	Inset Door Concealed Hinge		Dimension 5 (P.577)		Reference 5 (P.577)

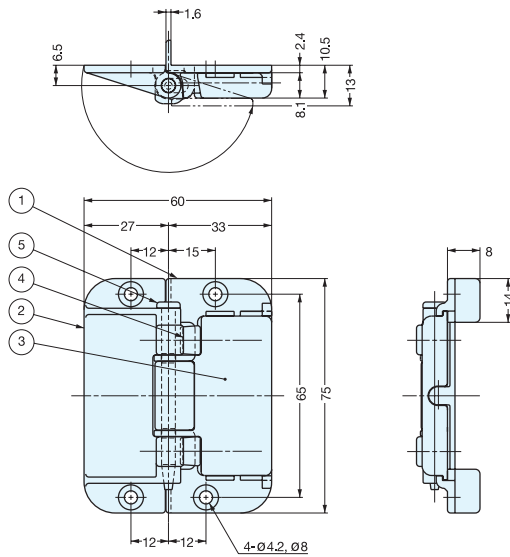
Dimension 1



Reference 1

Item No.	Material	Finish/Color
SFD-3L-R/L	Steel, ABS	Nickel, Light Grey

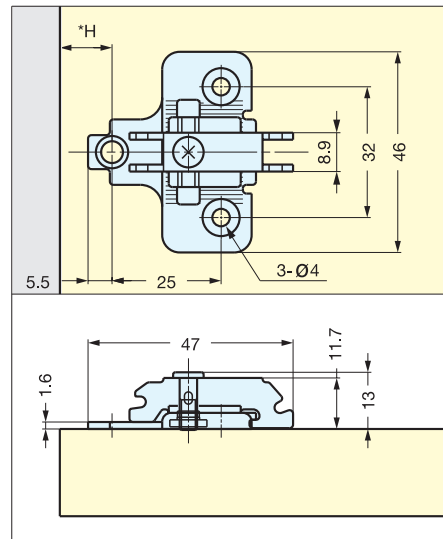
Dimension 2



Reference 2

No.	Part Name	Material	Finish/Color
①	Body A	Zinc Alloy	Nickel (NI)
②	Body B	Zinc Alloy	Bronze (GB)
③	Catch	Polyamide	Brown
④	Latch	Polyamide	Black
⑤	Shaft	Steel	Black

Dimension 3



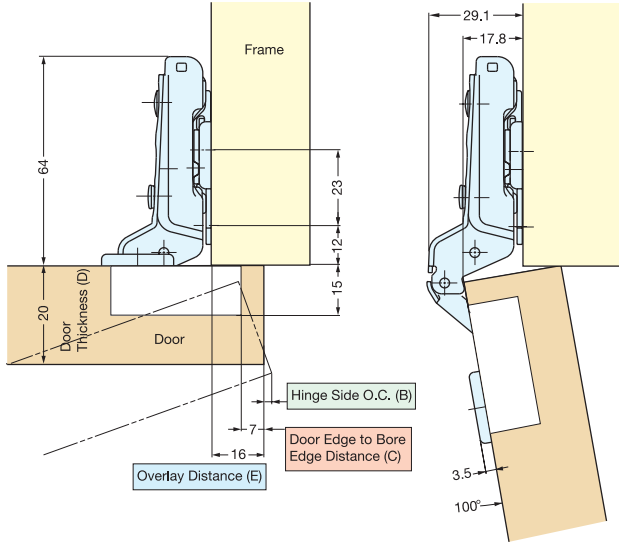
\*Overlay use: H=12mm  
Inset use: H=Door Thickness+17mm

Reference 3

Item No.	Material	Finish/Color
230-P4W-32T	Steel	Nickel



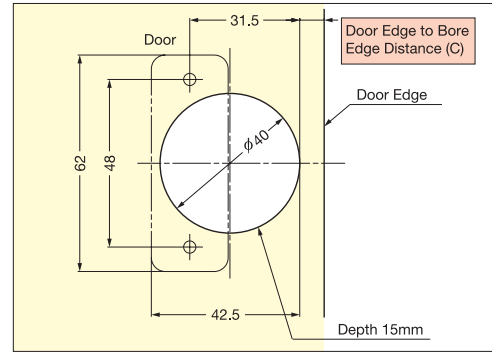
Dimension 4



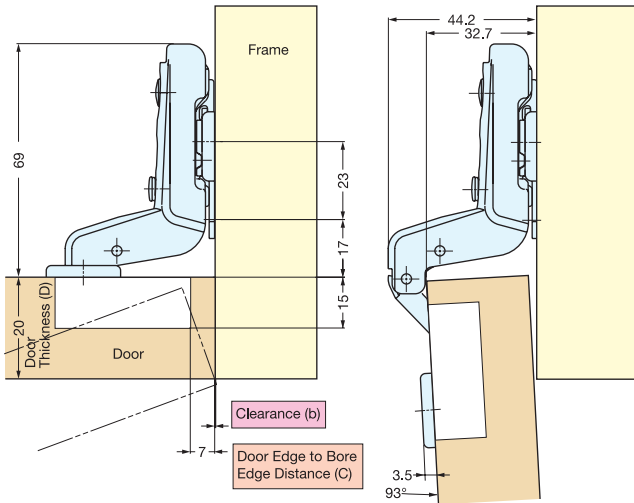
Reference 4

Item No.	Material		Finish/Color		
H230-26/16T	Steel		Nickel		
Door Edge to Bore Edge Distance (C)	3	4	5	6	7
Overlay Distance (E)	12	13	14	15	16
Door Thickness (D)	Door Edge to Bore Edge Distance (C)				
	3	4	5	6	7
18	0.2	0.2	0.2	0.2	0.2
20	0.3	0.3	0.3	0.3	0.3
Hinge Side O.C. (B)					

Bore Dimension



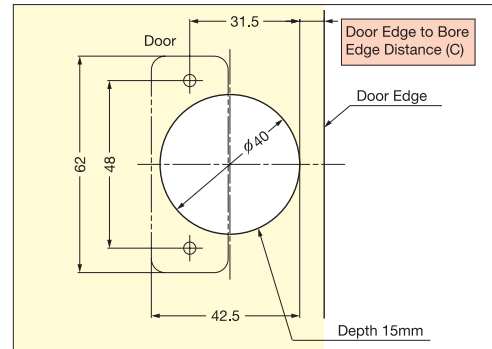
Dimension 5



Reference 5

Item No.	Material		Finish/Color		
H230-26/0T	Zinc Alloy, Steel		Nickel		
Door Edge to Bore Edge Distance (C)	3	4	5	6	7
Clearance (b)	4.3	3.3	2.3	1.3	0.3
Door Thickness (D)	Door Edge to Bore Edge Distance (C)				
	3	4	5	6	7
18	0	0	0	0	0
20	0	0	0	0	0
Hinge Side O.C. (B)					

Bore Dimension



# FOLDING DOOR SYSTEM

# FD30-F

SLIDING & FOLDING DOOR HARDWARE

FOLDING DOOR SYSTEM ( MAX. 33 LBS PER PANEL )



Item No.	FD30UKP	FD30URP	FD30UMP	FD30UP
Application	Standard Folding (One pivot fixed)	Slidable Folding (for partition use)	Slidable (for cabinet use)	Swing Door
Door Width	Max. 450 mm (17-3/4")			
Door Height	Max. 2400 mm (94-1/2")			
Door Thickness	Min. 30 mm ( 1-3/16")			
Door Weight	Max. 15 kg (33 lbs) per door panel			

### Parts Set (Per 2 doors)

### Necessary Parts

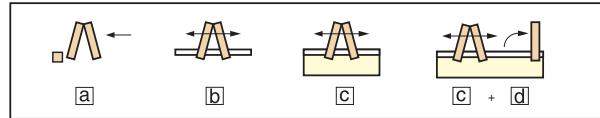
Please refer to "Qty [a] ~ [d]" for parts included in each set.

	Item No.	Description
[a]	FD30UKP	Pivoted Folding, Center Hinge (Surface Mount)
[b]	FD30URP	Slidable Folding, Center Hinge (Door Edge Recessed Mount)
[c]	FD30UMP	Slidable Folding, Center Hinge (Back Side Recessed Mount)
[d]	FD30UP	Pivoted Swing open (Single Panel)

### Parts Included

No.	Qty				Part Name / Item No.	Description
	a	b	c	d		
1	2 pcs	2 pcs	-	1 pc	Upper Roller (Recessed Type) FD30-WRH	• Material Zinc Alloy/Polyacetal • Finish Chromate/Light Brown
2	-	-	2 pcs	-	Upper Roller (Side-Mount) FD30-WRU	• Material Steel/Polyacetal • Finish Chromate/Brown
3	1 pc	-	-	-	Stopper Block FD30-HSB	• Material Polyacetal • Finish Dark Brown
4	1 pc	-	-	1 pc	Bottom Pin FD30-FBP	• Material Steel/Polyacetal • Finish Chromate/White
5	-	2 pcs	2 pcs	-	Guide Pin FD30-FGR	• Material Steel/Polyacetal • Finish Chromate/White
6	1 pc	1 pc	1 pc	1 pc	Pin Insert Jig FD30-FKPIJ	-
7	1 pc	-	-	1 pc	Spanner Wrench FD30-FSP	-
8	-	-	-	1 pc	Top Bracket FD30-FSK	• Material Steel • Finish Chromate

### Configuration



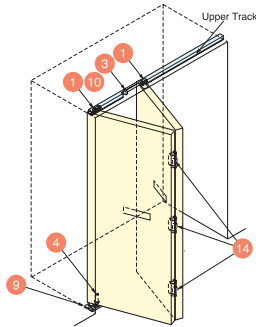
No.	Qty				Part Name / Item No.	Description
	a	b	c	d		
9	1 pc	-	-	-	Pivot Bracket (Bottom) FD30-FPU	• Material Steel • Finish Chromate
10	1 pc	-	-	1 pc	Fixing Plate FD30-FKK	• Material Steel • Finish Chromate
11	-	2 pc	2 pc	-	Upper Stopper FD30-FTST	• Material Steel/Polyacetal • Finish Chromate/Brown
12	-	2 pc	2 pc	-	Bottom Stopper FD30-FBKS	• Material Steel/Polyacetal • Finish Chromate/Brown
13	-	-	-	1 pc	Magnetic Catch FD30-FMC	• Material Steel/ABS Plastic • Finish Chromate/Brown
14	3 pcs	-	-	-	Center Hinge (Surface Mount, Angle adjustable) FD30-CHM	• Material Steel • Finish Black
15	-	-	3 pcs	-	Center Hinge (Recess Mount, Angle adjustable, W/Detent Stop) FD30-CHH	• Material Steel • Finish Black
16	-	3 pcs	-	-	Center Hinge (Door Edge Mount, Angle adjustable, W/Detent Stop) FD30-CHK	• Material Zinc Alloy • Finish Dark Brown

Upper Track		Necessary Parts			
	Mounting	Length	Item No.	Dimensions	Material / Finish
17	Surface Mount	910 mm	FD30-TRM910SIL		<ul style="list-style-type: none"> <li>Material Aluminum</li> <li>Finish Anodized Silver</li> </ul>
18		1820 mm	FD30-TRM1820SIL		
19		2730 mm	FD30-TRM2730SIL		
20		3640 mm	FD30-TRM3640SIL		
21	Recessed Mount	910 mm	FD30-TRH910SIL		<ul style="list-style-type: none"> <li>Material Aluminum</li> <li>Finish Anodized Silver</li> </ul>
22		1820 mm	FD30-TRH1820SIL		
23		2730 mm	FD30-TRH2730SIL		
24		3640 mm	FD30-TRH3640SIL		

Bottom Guide Track		Necessary Parts			
*Must be ordered when using <input type="checkbox"/> <input type="checkbox"/> <input type="checkbox"/> <input type="checkbox"/>					
	Mounting	Length	Item No.	Dimensions	Material / Finish
25	Floor Surface Mount	910 mm	FD30-FBRM910SIL		<ul style="list-style-type: none"> <li>Material Aluminum</li> <li>Finish Anodized Silver</li> </ul>
26		1820 mm	FD30-FBRM1820SIL		
27		2730 mm	FD30-FBRM2730SIL		
28		3640 mm	FD30-FBRM3640SIL		
29	Floor Recessed Mount	910 mm	FD30-FBRH910SIL		<ul style="list-style-type: none"> <li>Material Aluminum</li> <li>Finish Anodized Silver</li> </ul>
30		1820 mm	FD30-FBRH1820SIL		
31		2730 mm	FD30-FBRH2730SIL		
32		3640 mm	FD30-FBRH3640SIL		

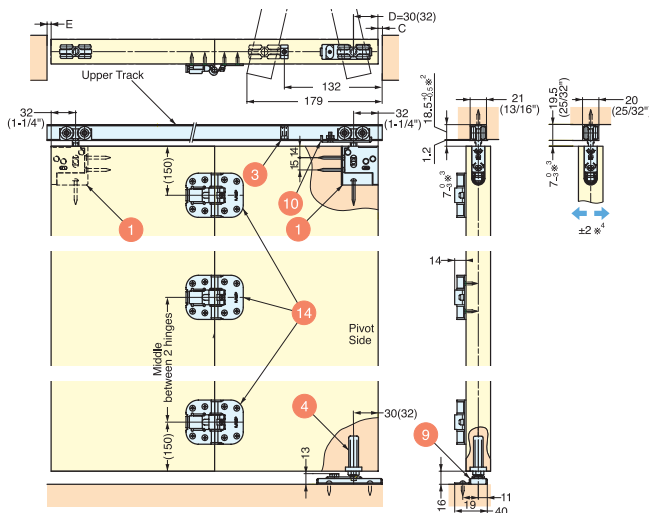
Optional Parts				
No.	Item No.	Part Name	Installation	Description
33	FD30-WRH-CP	End Cap (For Rollers)		<ul style="list-style-type: none"> <li>Material Polypropylene</li> <li>Finish Brown</li> <li>*For roller 1</li> </ul>
34	FD30-FMF	Door End Holder (Magnetic)		<ul style="list-style-type: none"> <li>Material Polycarbonate Neodymium</li> <li>Finish Dark Brown</li> </ul>
35	FD30-FTF	Door End Holder (Pin)		<ul style="list-style-type: none"> <li>Material Polyamide / Steel</li> <li>Finish White / Chromate</li> </ul>
36	FD30-FHL	Latch Unit		<ul style="list-style-type: none"> <li>Material Polyacetal</li> <li>Finish Dark Brown</li> <li>*To be used when ordering <input type="checkbox"/> + <input type="checkbox"/></li> </ul>

**a** Pivoted Folding, Center Hinge - Surface Mount



• Center Hinge has angle adjustment, detent stop feature and mounted on surface at back side of door for easy installation.

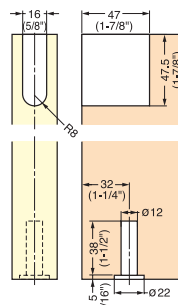
■ Installation Example  
(In case of 1-9/16" thick, 17-3/4" wide door)



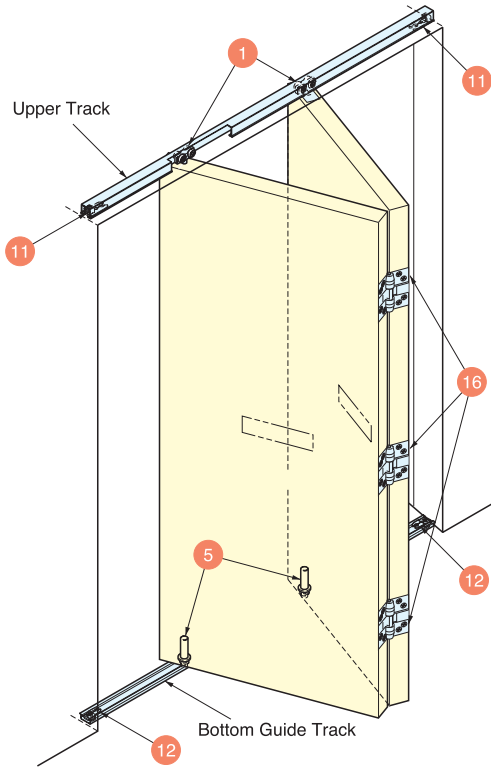
■ Gap - Door and Frame

Door Thickness	C=Gap	Gap total : C + E			
		Width 300	Width 350	Width 400	Width 450
30	4.0	7.5	7.0	6.7	6.4
35	5.2	9.5	8.9	8.5	8.2
40	6.5	11.7	11.0	10.5	10.1

■ Door Preparation

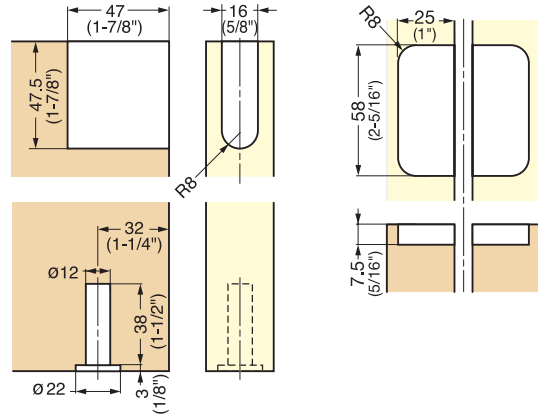


**b** Slidable Folding, Center Hinge – Door Edge Recessed Mount



- Center Hinge has angle adjustment, detent stop feature and mounted in recess at door edge which is invisible from both side.
- Detent center hinge allows the folding door to slide freely for easy access and to maximize the space.

■ Door Preparation

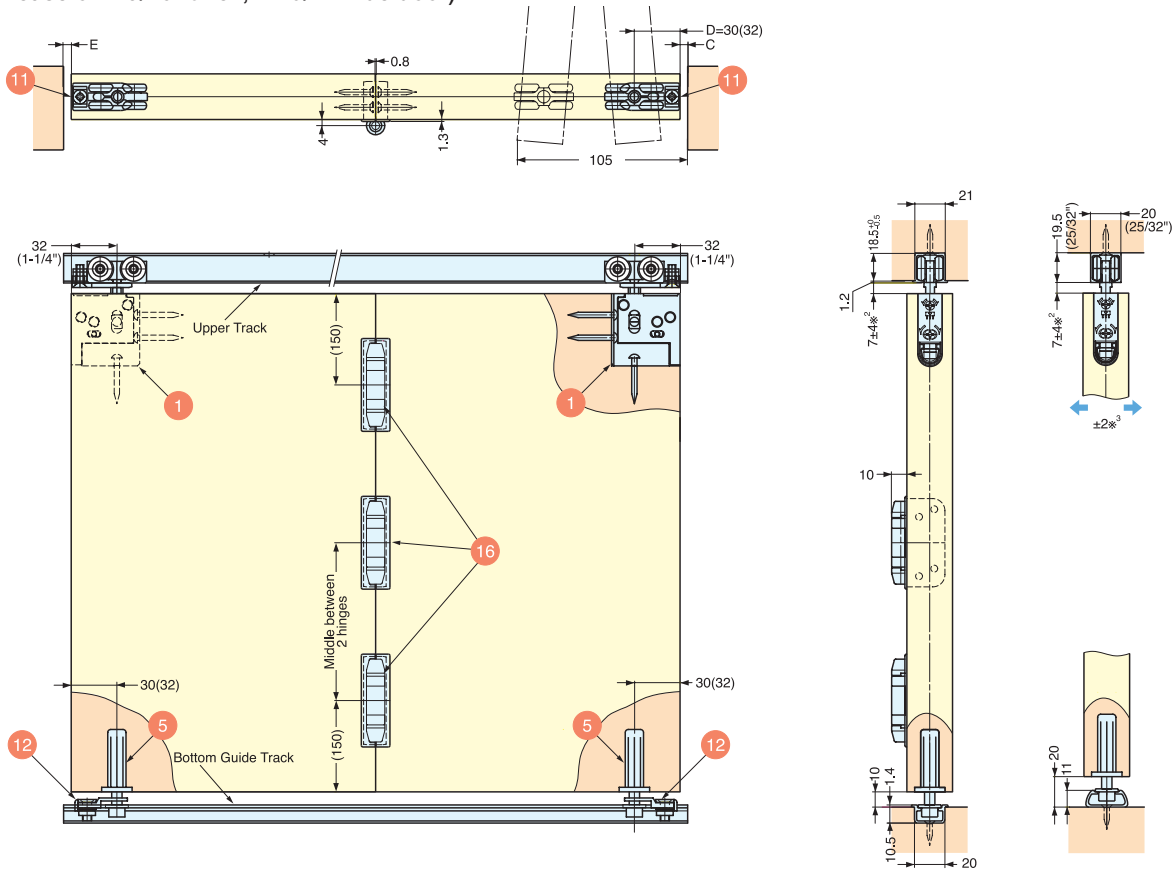


■ Gap - Door and Frame

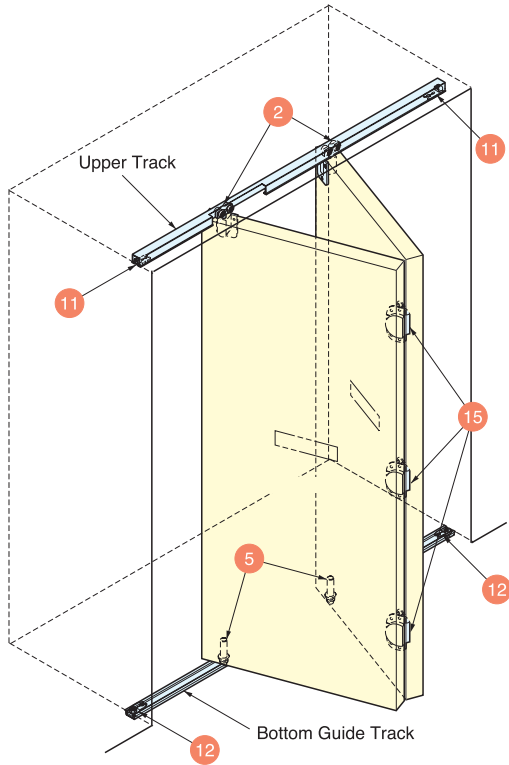
Door Thickness	C=Gap	Gap total : C + E			
		Width 300	Width 350	Width 400	Width 450
30	4.0	7.5	7.0	6.7	6.4
35	5.2	9.5	8.9	8.5	8.2
40	6.5	11.7	11.0	10.5	10.1

■ Installation Example

(In case of 1-9/16" thick, 17-3/4" wide door)



**C** Slidable Folding, Center Hinge – Back Side Recessed Mount



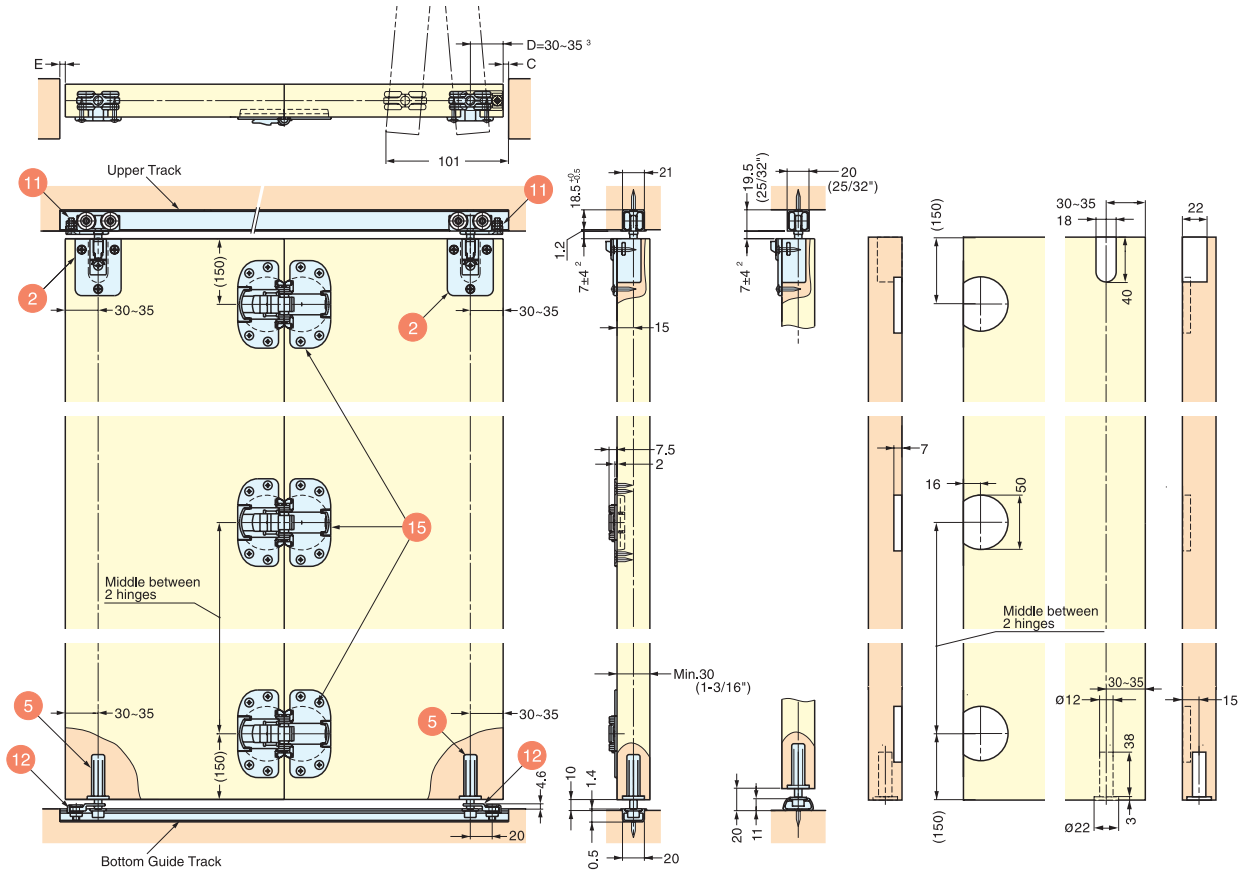
- Center Hinge has angle adjustment, detent stop feature and mounted in recess at back side of door.
- Detent center hinge allows the folding door to slide freely for easy access and to maximize the space.

■ Gap - Door and Frame

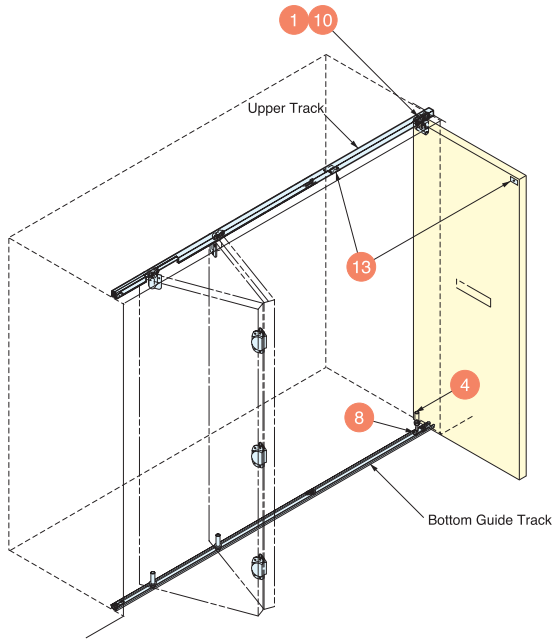
Door Thickness	C=Gap	Gap total : C + E			
		Width 300	Width 350	Width 400	Width 450
30	3.6	6.0	5.7	5.5	5.3
35	5.8	8.8	8.4	8.1	7.9
40	12.0	12.0	11.6	11.2	11.0

■ Installation Example

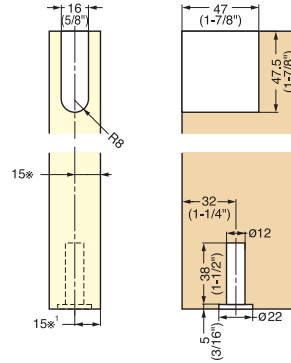
(In case of 1-9/16" thick, 17-3/4" wide door)



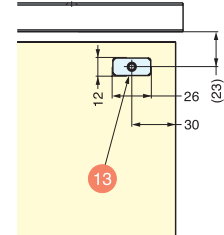
d Pivoted Swing open (Single Panel)



■ Door Preparation



■ Preparation for counter plate

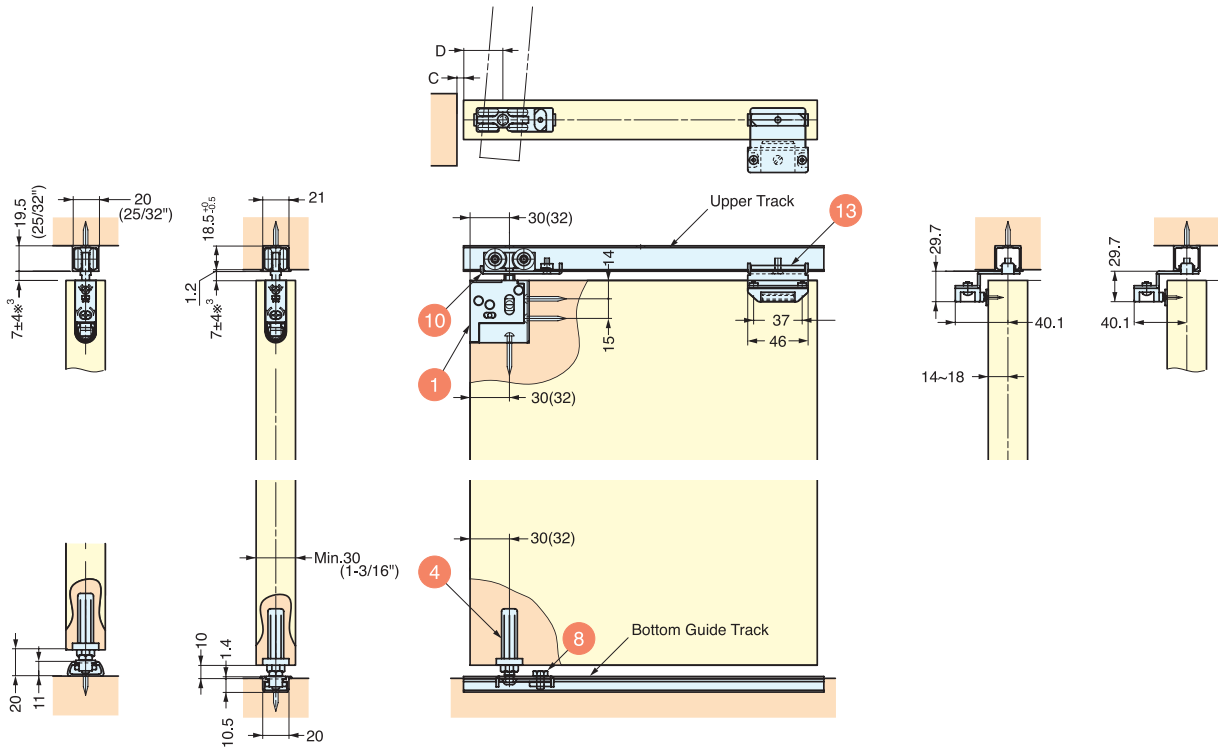


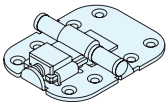
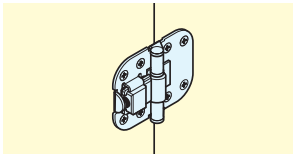
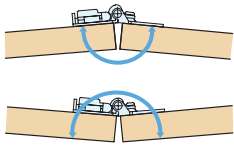
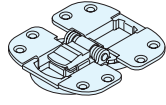
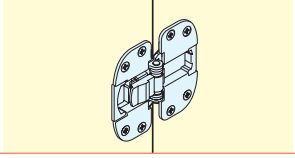
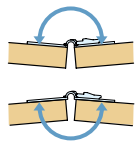
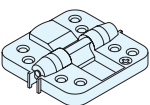
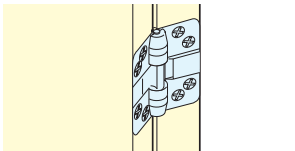
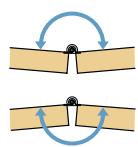
■ Gap - Door and Frame

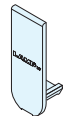
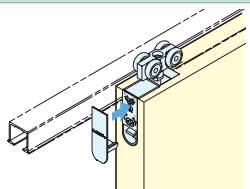
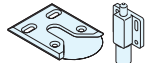
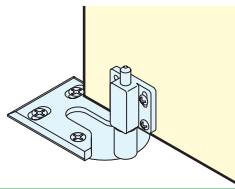
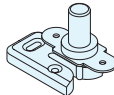
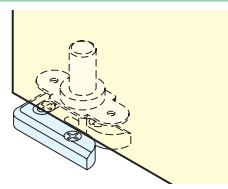
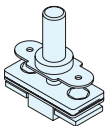
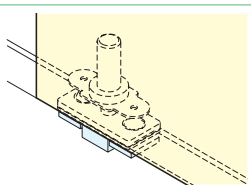
Door Thickness	C=Gap (In Case D = 30)
30	4.0
35	5.2
40	6.5

SLIDING & FOLDING DOOR HARDWARE

FOLDING DOOR SYSTEM ( MAX. 33 LBS PER PANEL )



Center Hinge - Details				
No.	Item No.	Installation	Angle Adjustment	Detent
14	 FD30-CHM	Surface Mount 		37° angle
15	 FD30-CHH	Back Side Recessed Mount 		50° angle
16	 FD30-CHK	Door Edge Recessed Mount 		47° angle

Optional Parts - Details				
No.	Part Name / Item No.	Installation	Specification	Description
33	End Cap (For Rollers)   FD30-WRH-CP		Cover Cap for Upper Roller ①	<ul style="list-style-type: none"> <li>Material Polypropylene</li> <li>Finish Brown</li> </ul>
34	Door End Holder (Magnetic)   FD30-FMF		Prevents door racking when door is closed, especially in double doors	<ul style="list-style-type: none"> <li>Material Polycarbonate Neodymium</li> <li>Finish Dark Brown</li> </ul>
35	Door End Holder (Pin)   FD30-FTF		Prevents door racking when door is closed, especially in double doors	<ul style="list-style-type: none"> <li>Material Polyamide / Steel</li> <li>Finish White / Chromate</li> </ul>
36	Latch Unit   FD30-FHL		To hold the door close in [d] configuration, to be installed on bottom guide track	<ul style="list-style-type: none"> <li>Material Polypropylene</li> <li>Finish Brown</li> </ul>

# FOLDING DOOR HARDWARE ( Door Weight 88 lbs per door )

# SDR-A84D

SLIDING & FOLDING DOOR HARDWARE

FOLDING DOOR HARDWARE ( DOOR WEIGHT 88 LBS PER DOOR )



Type	SDR-A84D	
	Folding Door	
Roller	Top Recessed	
Track Mounting	Ceiling	
Door Weight	Max. 88 lbs (40 kg) Per Panel	
Door Thickness	1-3/8"(35 mm) ~ 2" (50 mm)	
Door Panel Width	Min. 21-1/32"(550 mm)	
Door Width	Two Doors: Max. 39-3/8" (1000 mm)	Four Doors: Max. 29-1/2" (750 mm)

- 88 lbs per panel capacity
- Compatible with 2 or 4 doors
- Ceiling mount options
- Recessed Mounted door brackets
- Concealed Hinges Recommended
- Double rollers with ball bearings
- Quiet precision movement
- Low profile minimum gap of 3/16" (5 mm)
- Recess Mount
- Optional bottom track (not required)

### How to order

1. Select track and track length
  - 1A. Select any optional parts for track
2. Select a hardware set
  - 2A. Select any optional parts for hardware set

### 1. Track Options

Track Type	Length	Item No.	Description	1A Optional Parts for Track
Standard Aluminum Track	78-3/4" (2000 mm)	SDR-A84D-2000		
	118-1/8" (3000 mm)	SDR-A84D-3000		
False Ceiling Aluminum Track	118-1/8" (3000 mm)	SDR-A84D-TC-3000		

### 2. Hardware Set

Door Mount	Load Rating Per Door	Item No.	Set Details
Two Door Assembly	Up to 66 lbs	SDR-A84D-2D-2HDC	 (1) Set for (1) Pair of Doors (2) HES3D-120DC
	Up to 88 lbs	SDR-A84D-2D-3HDC	 (1) Set for (1) Pair of Doors (3) HES3D-120DC
Four Door Assembly	Up to 66 lbs	SDR-A84D-4D-4HDC	 (1) Set for (1) Pair of Doors (1) SDR-A84D-8802 Set for SECOND Pair of Doors (6) HES3D-120DC
	Up to 88 lbs	SDR-A84D-4D-6HDC	 (1) Set for (1) Pair of Doors (1) SDR-A84D-8802 Set for SECOND Pair of Doors (9) HES3D-120DC

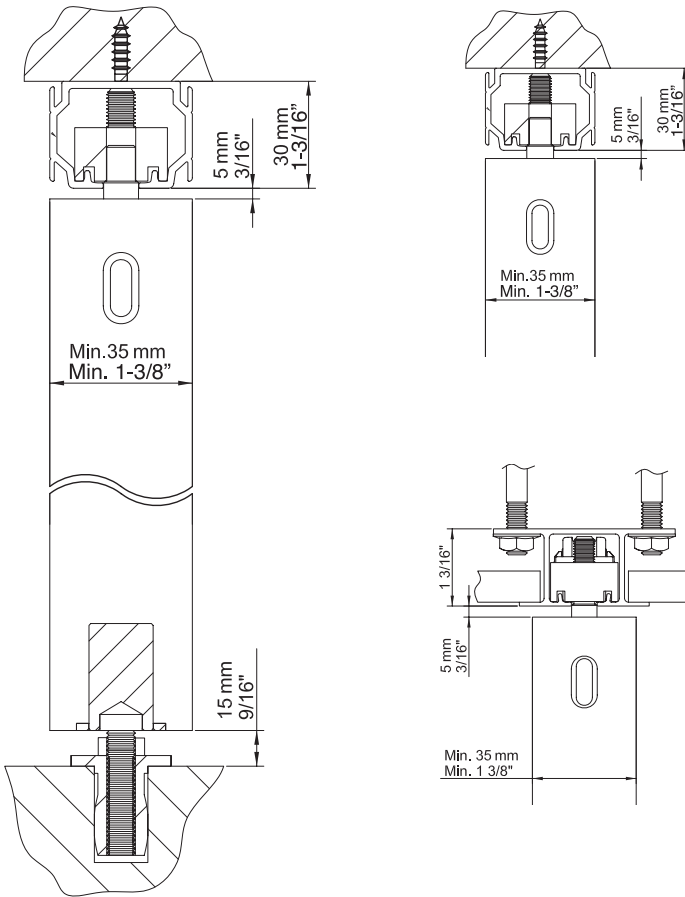
### 2A Optional Parts for Hardware Set

 SDR-A84D-8800 Set for Pair of Doors	 SDR-A84D-8801 Set for Single Door	 SDR-A84D-8802 Set for SECOND PAIR of Doors
--	--	---

\* As necessary, can be used with knuckle hinges etc..



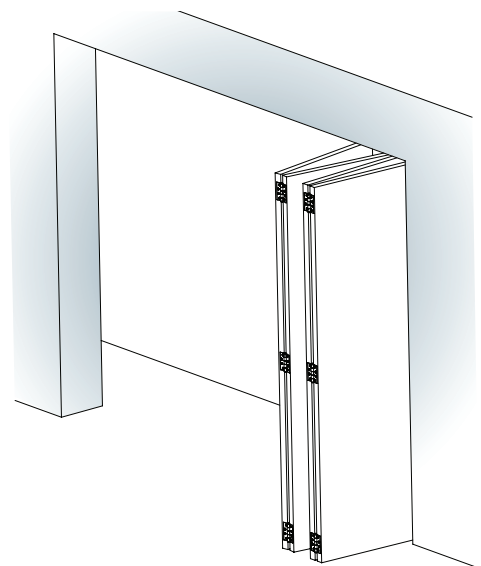
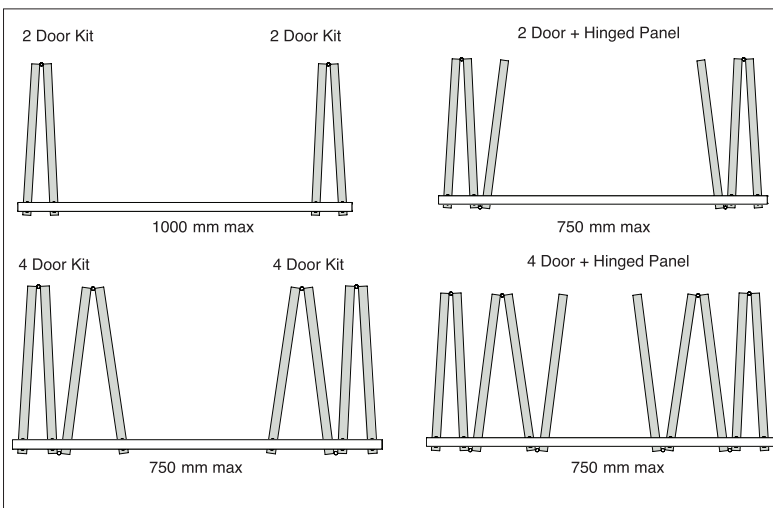
TRACK MOUNTING OPTIONS



**Ceiling Mount**  
Standard ceiling mount for doorways and closets. Requires 1-3/8" thick doors.

**False Ceiling Mount**  
False ceiling mount for room partition applications. Requires 1-3/8" minimum thick doors. Hardware for sliding doors is completely concealed.

■ Configuration Options





## Lateral Opening Door System with Built-in Dampening Technology.

LIN-X1000 was designed to transform your ordinary door opening movement into something spectacular.



Sleek, flush finish when doors are closed.

# LATERAL OPENING DOOR SYSTEM

# LIN-X1000



- Lateral Opening Mechanism: Allows doors to swing out laterally in a small radius, ideal for tight front space application.
- Heavy Duty: Max. weight 198 lbs.
- 4-Way Adjustable: Vertical, horizontal, depth and parallel adjustment.
- Smooth Movement: Built-in dampers provide a smooth soft-closing movement.
- Use in various applications: Ideal for closet entryways, large pantry doors, storage, hidden rooms, etc.
- Hardware is non-handed: can be used for left- or right-opening doors.
- Designed for overlay installation, but can be installed flush with the surrounding cabinet or wall. Please contact customer service for details on inset installations.

Innovative design internationally recognized with the following awards:



reddot award 2017  
winner

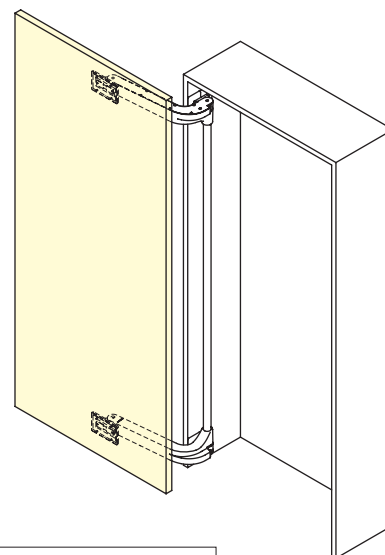
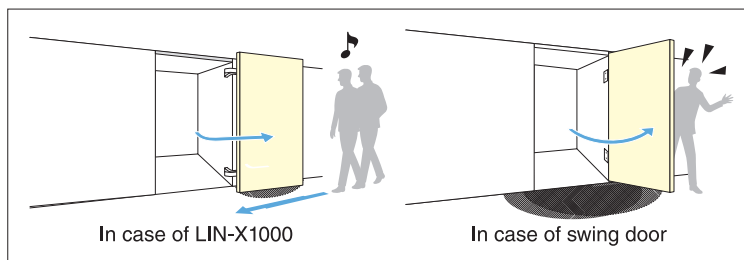


Item No.	Overlay	Material	Finish
LIN-X1000/WT-S	3/4" (19 mm)	Steel, Aluminum	White
LIN-X1000/BL-S			Black

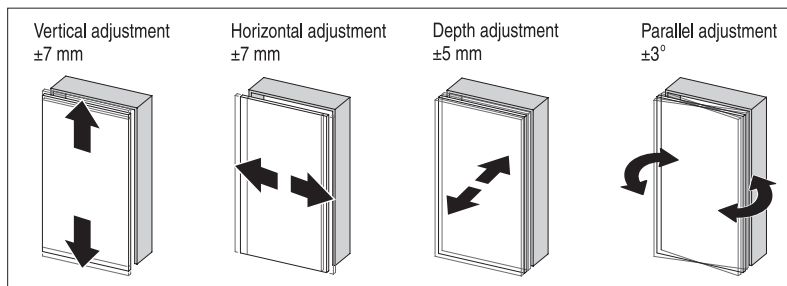
  

Door Width	29-1/2"~43-5/16" (750~1100 mm)
Max. Door Height	117-5/16" (2980 mm)
Door Thickness	15/16"~1-9/16" (24~40 mm)
Max. Door Weight	198 lbs (90 kg/door)

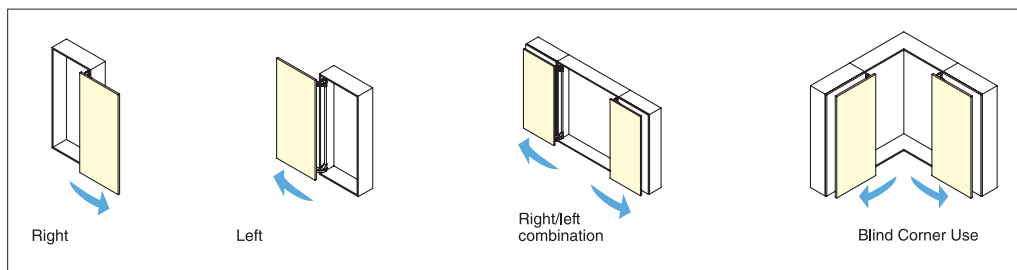
Minimize opening clearance required with LIN-X1000, compared to traditional swinging doors. When closed, the LIN-X door can be flush with the surrounding walls.



## Installation Examples



## Adjustability



Adjustable in vertical, horizontal, depth and parallel directions.

# LIN-X1000 COMPONENT DETAILS

SLIDING & FOLDING DOOR HARDWARE

LATERAL OPENING DOOR SYSTEM

No.	Qty	Dimensions	Description
1	1 pc		Upper Arm Material: Aluminum Alloy Finish: White/Black Powder Coated
2	1 pc		Lower Arm Material: Aluminum Alloy Finish: White/Black Powder Coated
3	4 pcs		Cover for Mounting Plate (Hinge Side) Material: ABS Finish: White/Black

No.	Qty	Dimensions	Description
4	4 pcs		Cover for Mounting Plate (Door Side) Material: ABS Finish: White/Black
5	1 pc		Damper for Opening Material: PBT Finish: White/Black

No.	Qty	Dimensions	Description
6	1 pc		Connecting Bar Material: Aluminum Alloy Finish: White Anodized/Black Anodized

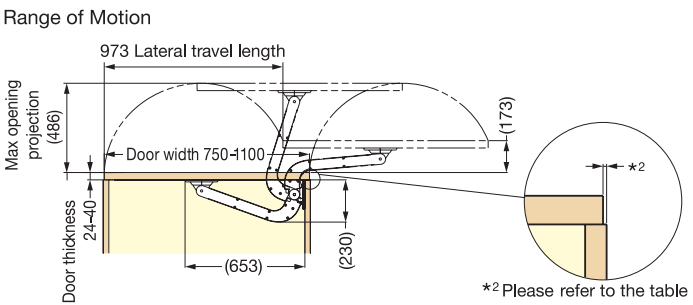
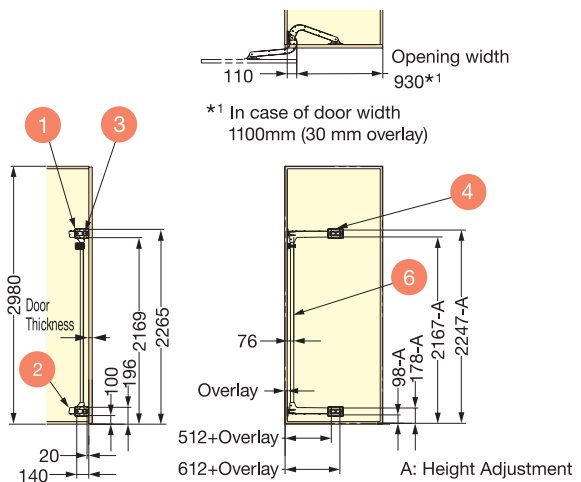


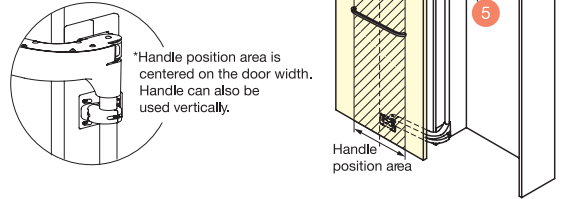
Table 1: Handle position area (for door thickness 40 mm)

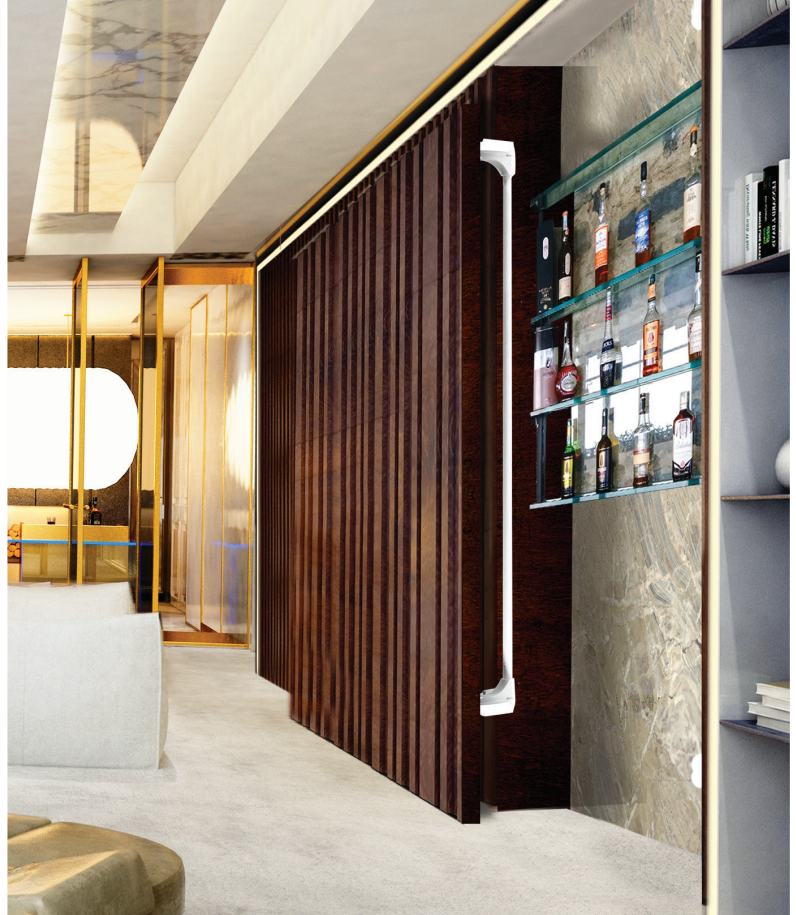
Door width	Hinge side clearance		
	10 mm	15 mm	20 mm
750 mm - 900 mm	Max. 300 mm	Max. 350 mm	Max. 500 mm
900 mm - 1000 mm	Max. 200 mm	Max. 250 mm	Max. 400 mm
1000 mm - 1100 mm	Max. 100 mm	Max. 150 mm	Max. 300 mm

Table 2: Please follow Height Adjustment (A) based on the following table so that the door will not contact the floor.

Door weight	Height Adjustment
20 kg	2.0 mm
30 kg	3.5 mm
40 kg	5.0 mm
50 kg	6.5 mm
60 kg	8.0 mm
70 kg	9.5 mm
80 kg	11.0 mm
90 kg	12.5 mm

[Details of 5]





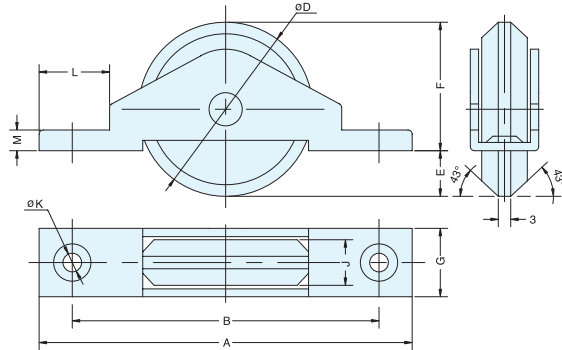
# SLIDING DOOR ROLLER

STAINLESS  
304  
STEEL

## FMS, FDS, FES



- Smooth and quiet movement with plastic rollers.
- FES and FMS are equipped with ball bearings providing easy operating even with heavy load.



Part Name	Series	Material	Finish
Bracket, Pin	FDS, FES, FMS	304 Stainless Steel	Plain
Wheel	FDS, FES	Polyacetal	White
	FMS	MC Nylon	Blue

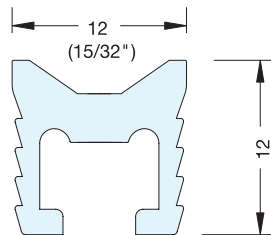
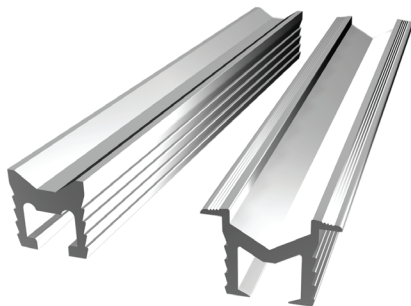
Item No.	A	B	D	E	F	G	J	K	L	M	Load Capacity (kg) /per 2pcs	Weight (g)	Box (pcs)	Carton (pcs)
FDS-0259	60 (2-23/64")	50	25	5.0	20.0	11	7	3	10	1.2	15 ( 33 lbs )	15	12	120
FDS-0339	74 (2-29/32")	63	33	5.5	27.5	13	8	4	12	1.5	25 ( 55 lbs )	25		
FES-0339	68 (2-43/64")	57	33	7.0	26.0	13	9	4	14	5.0	50 ( 110 lbs )	35	4	40
FES-0429	92 ( 3-5/8" )	76	42	6.0	36.0	14	9	4	18	5.0	70 ( 154 lbs )	60		
FMS-0509	110 (4-21/64")	85	50	8.0	42.0	17	11	5	19	5.0	100 ( 220 lbs )	95		

# "V" RAIL FOR SLIDING DOOR

ALUMINUM

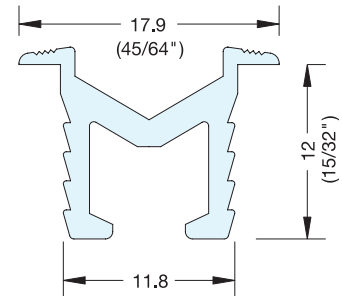
## AV

- Bottom rail for FMS, FDS, FES Rollers.



Item No.: AVF-12S/1820

Applicable Rollers: FDS-0259, FDS-0339  
FES-0339, FES-0429  
FMS-0509



Item No.: AVED-12S/1820

Applicable Rollers: FDS-0259, FDS-0339  
FES-0339, FES-0429

Item No.	Length	Weight (g)	Box (pcs)	Carton (pcs)	Material	Finish
AVF-12S/1820	1820 (71-5/8")	256	1	10	Aluminum	Anodized
AVED-12S/1820		309				

# No More Headaches

Sugatsune has created the perfect system for pocket doors. This two-track system means all components are easily accessible from the opening. Never break another wall when making adjustments to your pocket door. Available in recessed and surface mount retail box kits. Get details on the FD80-PD Pocket Door system in pages 532.1 to 531.4



Scan the QR code for additional instructions or visit us at [www.sugatsune.com](http://www.sugatsune.com).

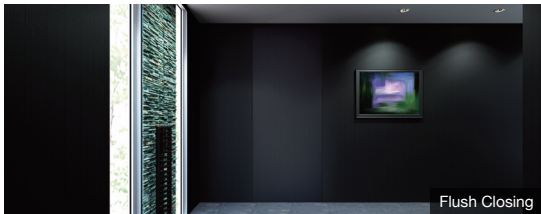
# FLUSH SLIDING DOOR SYSTEM

# MFU-1200

## MonoFlat UNISON



Lateral Opening

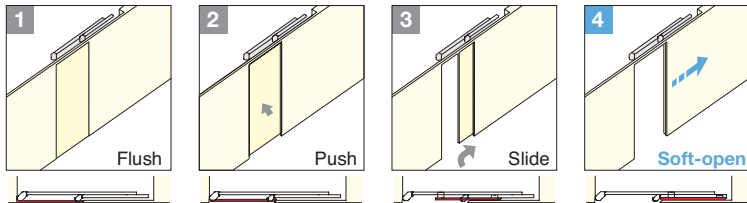


Flush Closing

	MFU1200-40	MFU1200-70
Door Width	31-1/2"~47-1/4" (800~1200 mm)	
Door Height	Max. 106-5/16" (2700 mm)	
Door Thickness	1-3/16"~1-9/16" (30-40 mm)	
Door Weight	44~88 lbs (20-40 kg)	88~154 lbs (40-70 kg)
Adjustability	Depth: ±3.5 mm (1/8")	
	Horizontal: ±4 mm (3/16")	
	Vertical: ±4 mm (3/16")	

- Features dual damper that soft opens and soft closes the door.
- Minimal parts for easy installation and excellent performance.
- Designed to CLOSE FLUSH against surrounding walls, providing clean appearance.
- UNIQUE MOVEMENT: Door moves in first, and then slides sideways.
- CLEAN APPEARANCE: No bottom rails on floor required on MFU-System

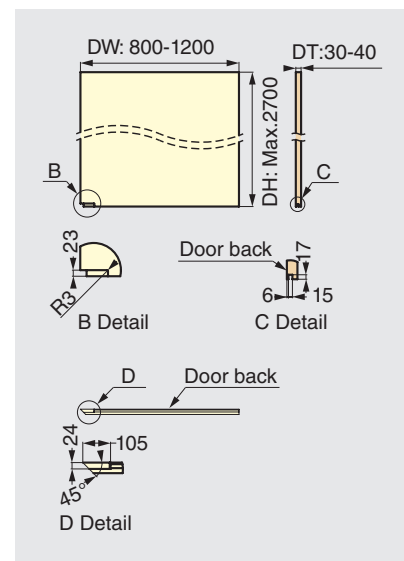
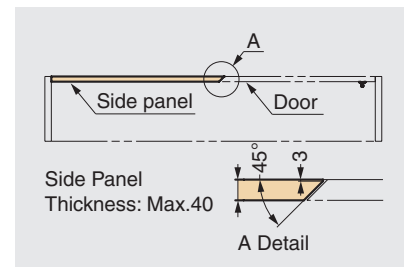
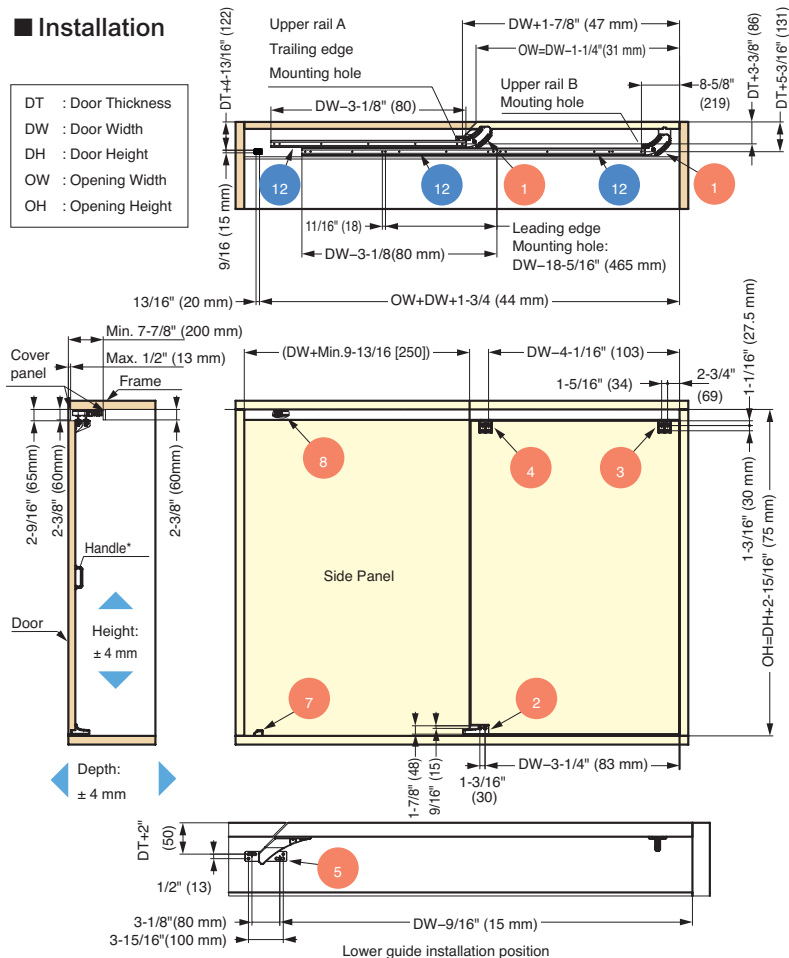
### How the door moves



No handle is needed on the door front for opening.

### Installation

- DT : Door Thickness
- DW : Door Width
- DH : Door Height
- OW : Opening Width
- OH : Opening Height



\* Drawings are for a Left to Right opening (MFU1200-L). Right to Left opening (MFU1200-R) is symmetrically opposed.  
 \* The door cannot be opened from the inside without a handle (not included).



For a complete set of MFU1200

Order: **Bracket Set** + **Closer Set** + **Rail Set**

**Bracket Set Necessary parts**

Set Name	RoHS	CAD	Item Name
Bracket set (L type)	-		MFU1200-L-BL
Bracket set (R type)	-		MFU1200-R-BL

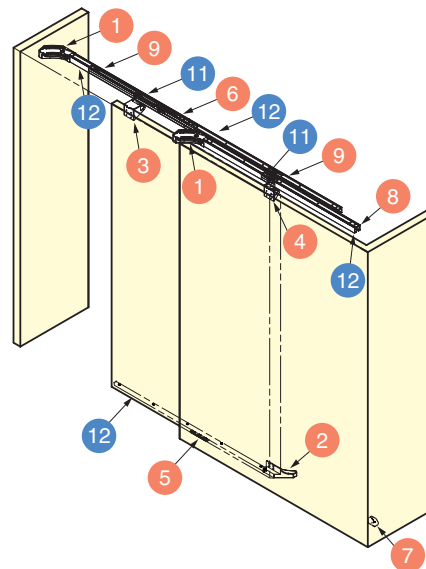
Detail

No.	Qty	Part Name	Drawing (L type) in mm	Description
1	2	Guiding track (top)		<ul style="list-style-type: none"> <li>Material: aluminium alloy</li> <li>Finish: enamel / black</li> </ul>
2	1	Guiding track (bottom)		<ul style="list-style-type: none"> <li>Material: aluminium alloy</li> <li>Finish: enamel / black</li> </ul>
3	1	Bracket (leading edge)		<ul style="list-style-type: none"> <li>Material: steel</li> <li>Finish: enamel / black</li> </ul>
4	1	Bracket (trailing edge)		<ul style="list-style-type: none"> <li>Material: steel</li> <li>Finish: enamel / black</li> </ul>
5	1	Bottom guide		<ul style="list-style-type: none"> <li>Material: steel / POM</li> <li>Finish/Colour: electro-deposition / black</li> </ul>
6	1	Connecting plate		<ul style="list-style-type: none"> <li>Material: steel</li> <li>Finish: electro-deposition / black</li> </ul>
7	1	Door stopper (floor)		<ul style="list-style-type: none"> <li>Material: zinc alloy / elastomer</li> <li>Finish/Colour: chromate treatment (trivalent)/grey</li> </ul>
8	1	Bumper block		<ul style="list-style-type: none"> <li>Material: steel/elastomer</li> <li>Finish/Colour: chromate/grey</li> </ul>
9	2	Trigger		<ul style="list-style-type: none"> <li>Material: steel</li> <li>Finish: chromate treatment (trivalent)</li> </ul>
10	1	Jig	Can be ordered separately	<ul style="list-style-type: none"> <li>Item Name: FD80-TRJ</li> <li>Material: POM</li> <li>Colour: green</li> </ul>

Closer Set				Necessary parts		
				Select the appropriate part depending on door weight		
No.	Type	RoHS	CAD	Part Name	Drawing	Description
11	Door Weight 20-40 (kg)	-		Soft closer (leading edge)		<ul style="list-style-type: none"> <li>Material: steel/POM</li> <li>Finish: electro-deposition / black</li> </ul>
				Item: MFU1200-40DSC-BL	1 pc	
	Door Weight 40-70 (kg)	-		Door roller (trailing edge)		<ul style="list-style-type: none"> <li>Material: steel</li> <li>Finish: electro-deposition / black</li> </ul>
				Item: MFU1200-70DSC-BL	1 pc	

Rail Set				Necessary parts		
No.	RoHS	CAD	Part Name	Drawing	Description	
12	-		Upper track A			<ul style="list-style-type: none"> <li>Material: aluminium alloy</li> <li>Finish: black anodising + coating / clear</li> </ul>
			1120mm 2 pcs	Upper track B		
			Item: MFU1200-RS-BL	850mm 1 pc	Bottom track	
			1100mm 1 pc			

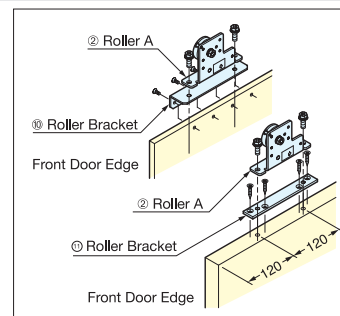
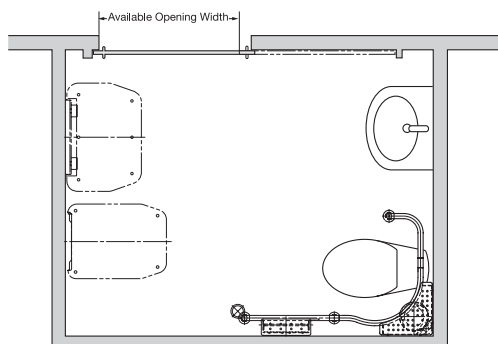
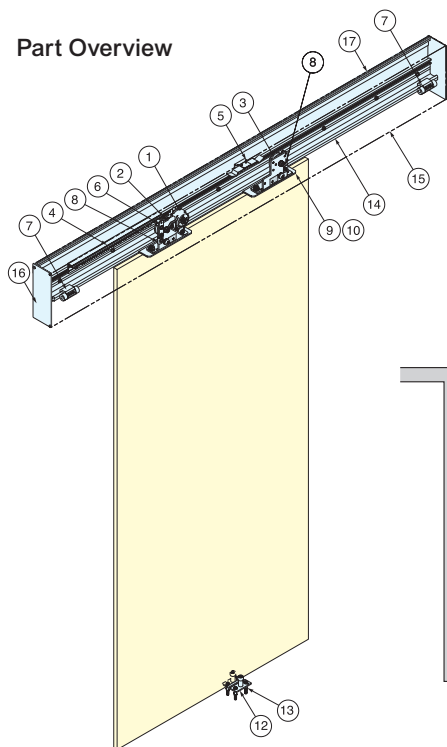
\* Cut upper track A and bottom track according to the door size.



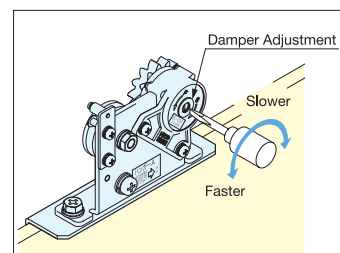
**SELF CLOSING SLIDING DOOR SYSTEM ( Door Weight 66~176 lbs )**
**LM-80**
**SLIDING & FOLDING  
DOOR HARDWARE**
**SELF CLOSING SLIDING DOOR SYSTEM ( DOOR WEIGHT 66~176 LBS )**


Item No.	LM-80
Door Width	700~1200 mm (27-9/16"~47-1/4")
Door Thickness	13 or 28~40 mm (1/2" or 1-1/8"~1-9/16")
Door Weight	30~80 kg/Door (66~176 lbs/door)
Door Travel	Max. 1100 mm (in case of door width 1200 mm) Max. 43-5/16" (in case of door width 47-1/4")

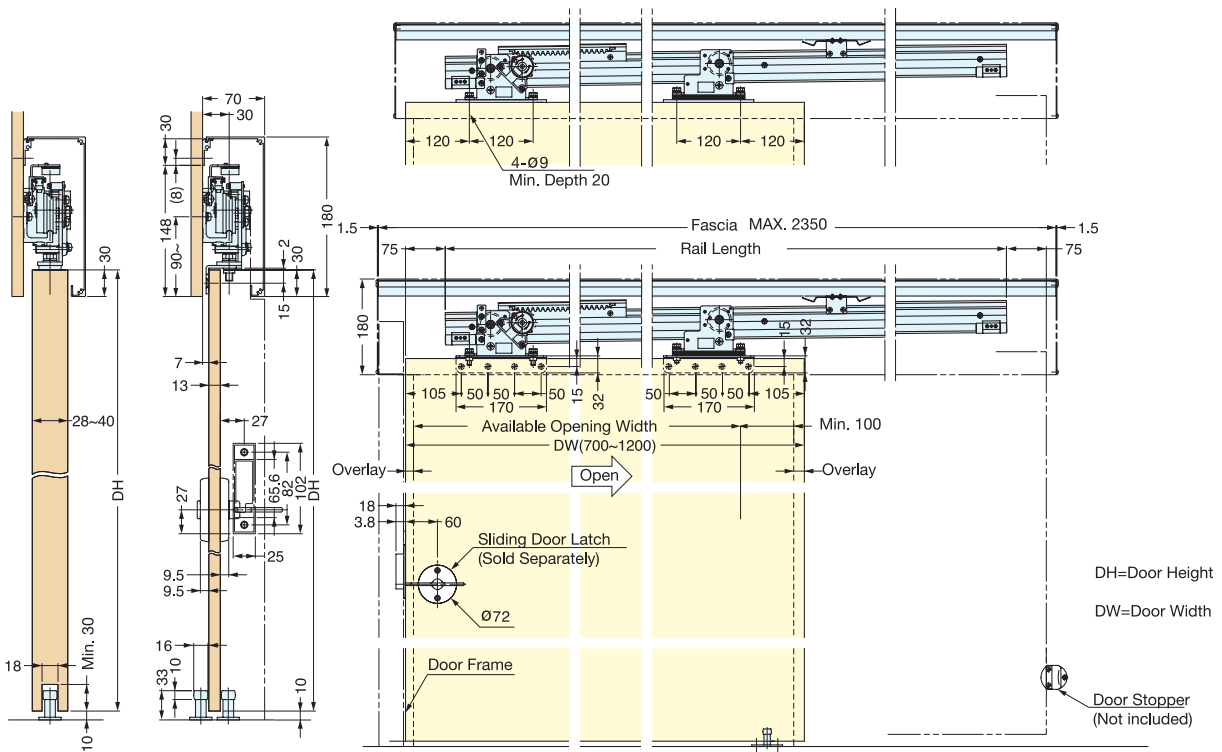
- Self closing sliding door system.
- Equipped with damper for smooth and soft closing, eliminating slam shut.
- Dampening speed adjustable for best soft closing.
- Wall surface mount type for easy installation.
- No bottom rail needed for clean appearance.
- Door opens lightly for easy operation.
- Door catch included to hold door in fully open position.
- Designed for 13 mm solid phenolic panel or 28~40 mm thick wood doors.
- Non-handed.
- Glass door system available (See P.571~572).

**Part Overview**


Roller Brackets for solid phenolic panel and wood door included.



Closing speed adjustable by turning adjustment screw on damper.



Part Details

No.	①	②	③	④	⑤	⑥	⑦
Name	Damper	Roller A	Roller B	Gear Rack	Spring	Stopper Roller	Door Stopper
Qty. / Set	1 pc	1 pc	1 pc	1 pc	1 pc	1 pc	2 pcs

No.	⑧	⑨	⑩	⑪	⑫	⑬	⑭
Name	Stopper Plate	Height Adjustment Spacer	Roller Bracket (For Solid Phenolic)	Roller Bracket (For Wood)	Bottom Roller Guide	Anchor	Roller Rail (2200 mm)
Qty. / Set	2 pcs	t1:15 pcs, t0.5:1 pc	2 pcs	2 pcs	2 pcs	4 pcs	1 pc

No.	⑮	⑯	⑰
Name	Fascia (2350 mm)	Side Cover	Mounting Plate (For Fascia) (2350 mm)
Qty. / Set	1 pc	1 pc ea. (Left & Right)	1 pc

No.	Option
Name	Latch w/indicator
Item No.	ET-125T
Qty. / Set	1 pc

# ALUMINUM FRAME SWING DOOR (2 WAY ADJUSTABLE)

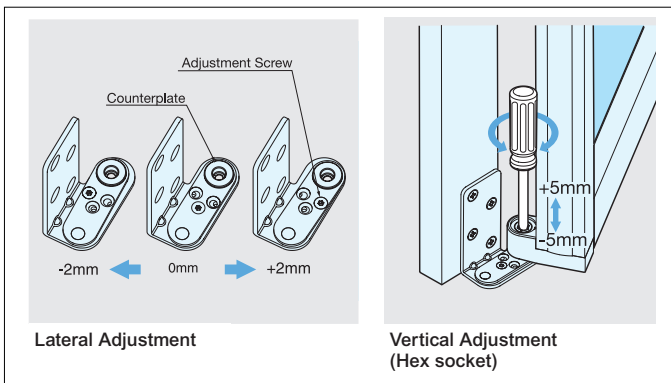
# AF-25D

SLIDING & FOLDING  
DOOR HARDWARE

ALUMINUM FRAME SWING DOOR (2 WAY ADJUSTABLE)



## Adjustable Hinge

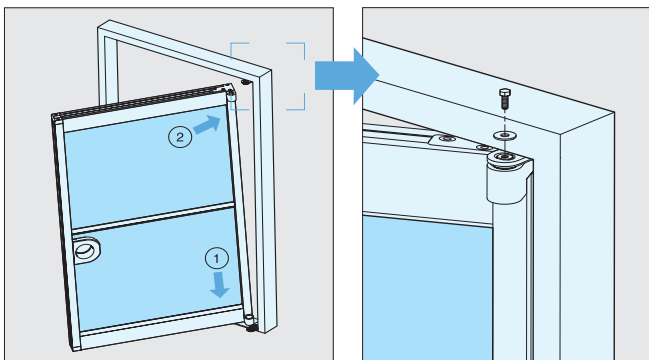


- Aluminum profile provides excellent rigidity preventing door flex.
- Intermediate support not needed when door size within H 2200 mm x W 900 mm (H 86-39/64" x W 35-7/16").
- Vertically and laterally adjustable after installed.
- Hinge is non-handed.
- Sliding door version available.
- Please see P.574~577 for details.

Door Height	Max. 2500 mm (98-27/64")
Door Width	Max. 1000 mm (39-3/8")
Door Weight	Max. 40 kg (88 lbs)
Glass Thickness	5 or 6 mm
Standard Size	H 2200 mm x W 900 mm (H 86-39/64" x W 35-7/16")

\* Intermediate support required when either door height or door width exceeds standard size.

## Easy Door Installation

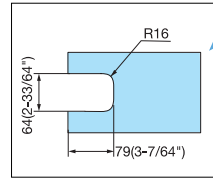
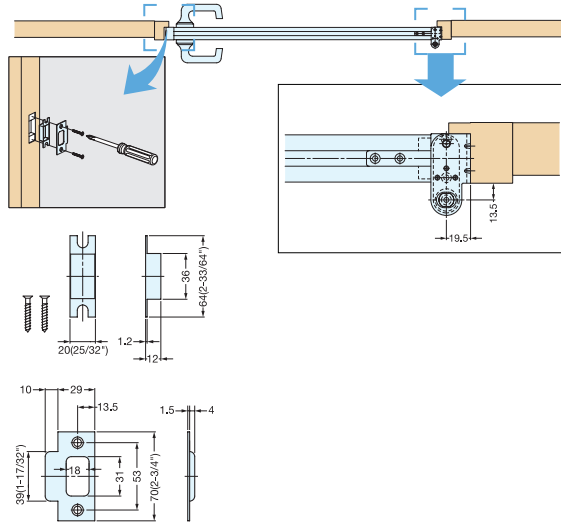


Standard Size  
(Smaller than H 2200 x W 900)

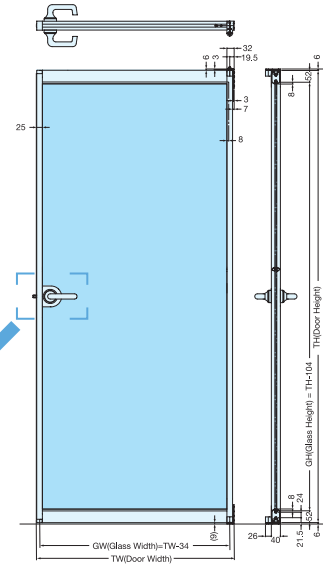


2 Supports  
(Smaller than H 2500 x W 800)

Dimensions



Cut Out Dimension

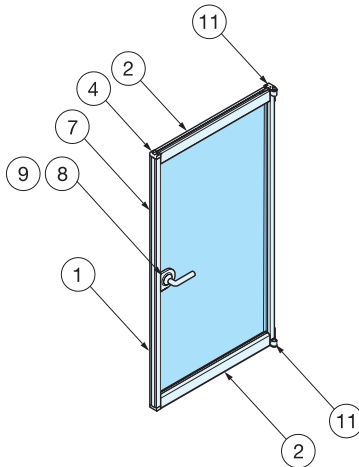


Part Details (for one door)

No.	Item No.	Part Name	Dimensions	Quantity	Description
①	AF-25-W01	Vertical Frame		Necessary quantity	<ul style="list-style-type: none"> <li>Material: Aluminum</li> <li>Finish/Color: Matte Silver</li> <li>Length: 2500 mm (98-27/64")</li> </ul>
②	AF-25-W02	Horizontal Frame		Necessary quantity	<ul style="list-style-type: none"> <li>Material: Aluminum</li> <li>Finish/Color: Matte Silver</li> <li>Length: 2000 mm (78-47/64")</li> </ul>
③	AF-25-W03	Intermediate Support (Optional)		Necessary quantity	<ul style="list-style-type: none"> <li>Material: Aluminum</li> <li>Finish/Color: Matte Silver</li> <li>Length: 2000 mm (78-47/64")</li> </ul>
④	AF-25-P04	Connector		4 pcs	<ul style="list-style-type: none"> <li>Material: Zinc Alloy</li> <li>Finish/Color: Matte Chrome</li> </ul>
⑤	AF-25-P02 (For 5 mm Glass)	Gasket		Necessary quantity	<ul style="list-style-type: none"> <li>Material: Elastomer</li> <li>Finish/Color: Light Grey</li> <li>Length: 2500 mm (98-27/64") (AF-25-P02)</li> <li>3000 mm (118-7/64") (AF-25-P15)</li> </ul>
	AF-25-P15 (For 6 mm Glass)				
⑥	AF-25-P03 (For 5 mm Glass)	Gasket for Intermediate Support (Optional)		Necessary quantity	<ul style="list-style-type: none"> <li>Material: Elastomer</li> <li>Finish/Color: Light Grey</li> <li>Length: 2500 mm (98-27/64") (AF-25-P03)</li> <li>2500 mm (98-27/64") (AF-25-P16)</li> </ul>
	AF-25-P16 (For 6 mm Glass)				
⑦	AF-25-P01-25	Edge Cover		Necessary quantity	<ul style="list-style-type: none"> <li>Material: Synthetic Rubber</li> <li>Finish/Color: Light Grey</li> <li>Length: 2500 mm (98-27/64")</li> </ul>

No.	Item No.	Part Name	Image	Dimensions	Quantity	Description												
⑧	AF-25-P06	Handle Case A			1 set	<ul style="list-style-type: none"> <li>● Material Zinc Alloy</li> <li>● Finish/Color Matte Silver (Cover)</li> </ul>												
		Handle Case B																
⑨	<ul style="list-style-type: none"> <li>● HCSA138F11 (Passage)</li> <li>● HCSA138SF11G (Cylinder Lock &amp; Thumbturn)</li> <li>● HCSA138SF11H (Indicator &amp; Thumbturn)</li> <li>● HCSA138SF11M (Privacy &amp; Thumbturn)</li> </ul>	Lever Handle		 HCSA138F11 is shown.	1 set	<ul style="list-style-type: none"> <li>● Material Aluminum</li> <li>● Finish/Color Anodized, Satin</li> <li>*Passage: No Lock</li> <li>Privacy: Thumbturn and Slotted Lock Combination. Can be opened from outside with small coin or screwdriver.</li> </ul>												
							⑩	-	Strikeplate		 Included in Lever Handle package	<ul style="list-style-type: none"> <li>● Material Steel, Polyamide</li> <li>● Finish/Color Plain, Black</li> <li>● Screw 4x30 Flat Head Screw x 2 included</li> </ul>						
													⑪	AF-25-P10	Pivot Hinge for Aluminum Frame		 1 pair	<ul style="list-style-type: none"> <li>● Material Zinc Alloy (Body)</li> <li>304 Stainless Steel (Bracket)</li> <li>● Finish/Color Matte Chrome (Body)</li> <li>Plain (Bracket)</li> </ul>

\* Glass not included.



**ORDERING INFO:**

Please order parts based on required door size and opening dimensions.  
 e.g.) Single Swing Door Application  
 Door Size: H 2200 x W 900 mm (H 86-5/8" x W 35-7/16")  
 Glass Thickness: 6 mm

Qty	No.	Item No.
2	①	AF-25-W01
1	②	AF-25-W02
-	③	AF-25-W03
4	④	AF-25-P04
3	⑤	AF-25-P15 (For 6 mm Glass)
-	⑥	AF-25-P16 (For 6 mm Glass)
2	⑦	AF-25-P01-25
1	⑧	AF-25-P06
1	⑨⑩	HCSA138F11 (Passage Type)
1	⑪	AF-25-P10
1	⑫	AF-25-DS

# Functional Sliding Door Systems

Sugatsune - progressive sliding door systems for the modern interior. Sliding doors allow home dwellers to utilize more space in a room than traditional hinged doors because of its minimized opening and closing profile. Our innovative sliding door systems add unique features such as soft closing, soft opening, discreet flush appearance, folding, and frameless glass mounting. If you're looking for an unparalleled look within your home, look no further than our product line.



# ALUMINUM FRAME SLIDING DOOR ( Door Weight 176 lbs )

# FD80-AF

SLIDING & FOLDING DOOR HARDWARE



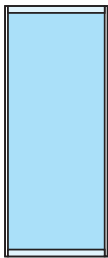
Type	FD80-AF			
	Standard Sliding		Two-Way Soft Close	
Roller	Top Recessed	Top Surface	Top Recessed	Top Surface
Door Weight	Max. 80 kg (176 lbs)			
Glass Thickness	5 or 6 mm			
Door Width	Max. 1500 mm (59-1/16")		804 ~ 1500 mm (31-5/8"~59-1/16")	
Door Height	Max. 2500 mm (98-27/64")			

- Two-way soft closer option available.
- Top surface or recessed mount roller available.
- Thick aluminum profile provides excellent rigidity preventing door flex.
- Ball bearing roller provides ultra smooth movement.
- Easy assembly and installation.
- Intermediate support not needed when door size within H 2200 mm x W 900 mm (H 86-39/64" x W 35-7/16").
- No rail on floor needed.
- Swing door version available for total coordination. Please see P.570~572 for details.
- Black frame available by special order only.

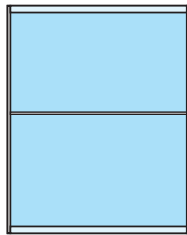
ALUMINUM FRAME SLIDING DOOR ( DOOR WEIGHT 176 LBS )



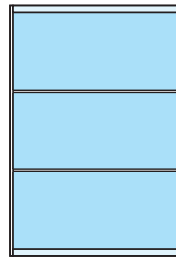
\* Intermediate support required when either door height or door width exceeds standard size. Pictures shown below are door size examples which require intermediate support.



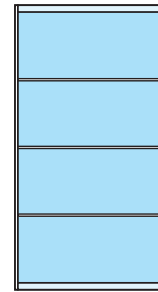
Standard Size  
(Smaller than H 2200 x W 900)



1 Support  
(Smaller than H 2000 x W 1600)



2 Supports  
(Smaller than H 2200 x W 1500)



3 Supports  
(Smaller than H 2500 x W 1300)



Parts Set (per door)		Necessary Parts	
Please refer to "Qty [a]-[d]" for parts included in each set.			
Item No.	Description	Roller	
		Roller	Function
a	FD80-DHCHP-AF	Top Recessed	Two Way Soft-Close
b	FD80-HHP-AF	Top Recessed	Standard Sliding
c	FD80-DHCMP-AF	Top Surface	Two Way Soft-Close
d	FD80-HMP-AF	Top Surface	Standard Sliding

**Parts Included**

No.	Qty				Part Name	Description
	a	b	c	d		
1	1 pc	-	-	-	Top Recessed Roller Soft-Closer (Two-Way) FD80-WRH-DSC	<ul style="list-style-type: none"> <li>Material Zinc Alloy/Polyacetal/Steel</li> <li>Finish Nickel/Black</li> </ul>
2	1 pc	2 pc	-	-	Top Recessed Roller Standard Sliding FD80-WRH	<ul style="list-style-type: none"> <li>Material Zinc Alloy/Polyacetal/Steel</li> <li>Finish Nickel/Natural</li> </ul>
3	-	-	1 pcs	-	Top-Surface Roller Soft-Closer (Two-Way) FD80-WRM-DSC	<ul style="list-style-type: none"> <li>Material Zinc Alloy/Polyacetal/Steel</li> <li>Finish Nickel/Black</li> </ul>
4	-	-	1 pc	2 pcs	Top-Surface Roller Standard Sliding FD80-WRM	<ul style="list-style-type: none"> <li>Material Zinc Alloy/Polyacetal/Steel</li> <li>Finish Nickel/Natural</li> </ul>
5	1 pc	1 pc	1 pc	1 pc	Floor Guide FD50-BG18	<ul style="list-style-type: none"> <li>Material 304 Stainless Steel, POM</li> <li>Finish Plain/White</li> </ul>
6	-	2 pcs	-	2 pcs	End Stopper FD80-HTST	<ul style="list-style-type: none"> <li>Material Steel/Polyacetal</li> <li>Finish Chromate/White</li> </ul>
7	-	-	1 pc	1 pc	Sheet Nut FD80-AFB	<ul style="list-style-type: none"> <li>Material Steel</li> <li>Finish/Chromate</li> </ul>
8	2 pcs	2 pcs	-	-	End Cap AF-25HB-EC	<ul style="list-style-type: none"> <li>Material/Elastomer</li> <li>Finish/Grey</li> </ul>

**Part Details**

No.	Part Name	Description
9	Vertical Frame AF-25-W01	<ul style="list-style-type: none"> <li>Material Aluminum</li> <li>Finish Matte Silver</li> </ul>
10	Horizontal Frame AF-25-W02	<ul style="list-style-type: none"> <li>Material Aluminum</li> <li>Finish Matte Silver</li> </ul>
11	Intermediate Support (Optional) AF-25-W03	<ul style="list-style-type: none"> <li>Material Aluminum</li> <li>Finish Matte Silver</li> </ul>
12	Connector AF-25-P04	<ul style="list-style-type: none"> <li>Material Zinc Alloy</li> <li>Finish Matte Chrome</li> </ul>
13	Gasket	<ul style="list-style-type: none"> <li>AF-25-P02 (For 5 mm Glass)</li> <li>AF-25-P15 (For 6 mm Glass)</li> <li>Material Elastomer</li> <li>Finish Light Grey</li> </ul>
14	Gasket for Intermediate Support (Optional)	<ul style="list-style-type: none"> <li>AF-25-P03 (For 5 mm Glass)</li> <li>AF-25-P16 (For 6 mm Glass)</li> <li>Material/Elastomer</li> <li>Finish/Light Grey</li> </ul>
15	Edge Cover AF-25-P01-25	<ul style="list-style-type: none"> <li>Material Elastomer</li> <li>Finish Light Grey</li> </ul>
16	Handle (Optional) MN799Z160E101	<ul style="list-style-type: none"> <li>Material Zinc Alloy</li> <li>Finish Matte Chrome</li> </ul>
17	Screw Set for AF-25H AF-25-HS	<ul style="list-style-type: none"> <li>Material 304 Stainless Steel</li> <li>Finish Plain</li> </ul>

**Upper Tracks**

Length	Item No.	Dimensions, Material / Finish
78-3/4" (2000 mm)	FD80-TRM2000SIL	 Aluminum / Anodized Silver
107-1/2" (2730 mm)	FD80-TRM2730SIL	
143-5/16" (3640 mm)	FD80-TRM3640SIL	





# SELF CLOSING GLASS SLIDING DOOR SYSTEM ( Door Weight 66 ~ 176 lbs ) **LM-80G**

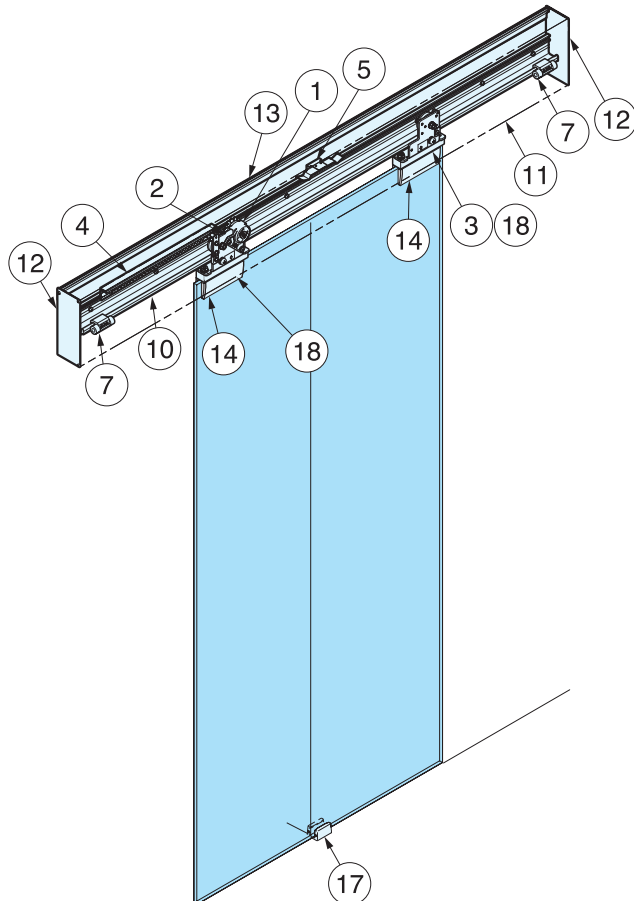
SLIDING & FOLDING  
DOOR HARDWARE

SELF CLOSING GLASS SLIDING DOOR SYSTEM ( DOOR WEIGHT 66~176 LBS )

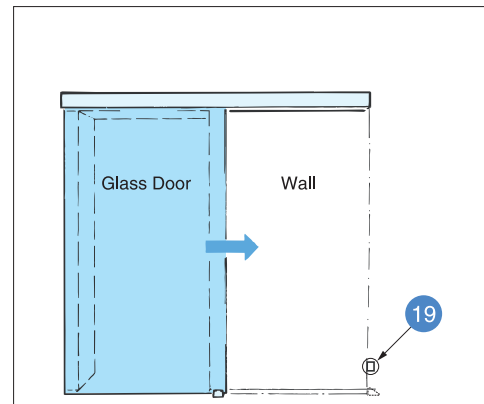


Item No.	LM-80G
Door Width	700~1200 mm (27-9/16"~47-1/4")
Door Thickness	8~12 mm
Door Weight	30~80 kg/Door (66~176 lbs/door)
Door Travel	Max. 1100 mm (in case of door width 1200 mm) Max. 43-5/16" (in case of door width 47-1/4")

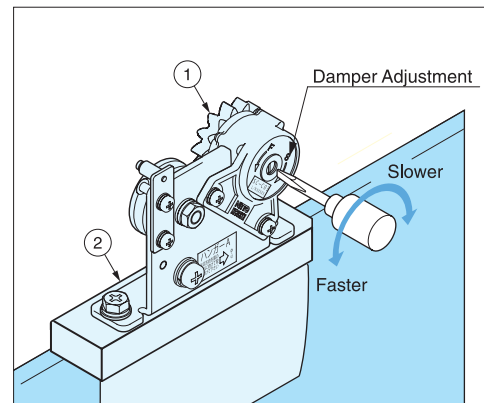
- Self closing sliding door system – no electricity required
- Equipped with damper for smooth and soft closing, eliminating slamming.
- No-pre-drilled holes on glass needed for installation.
- Door catch included to hold door in fully open position.



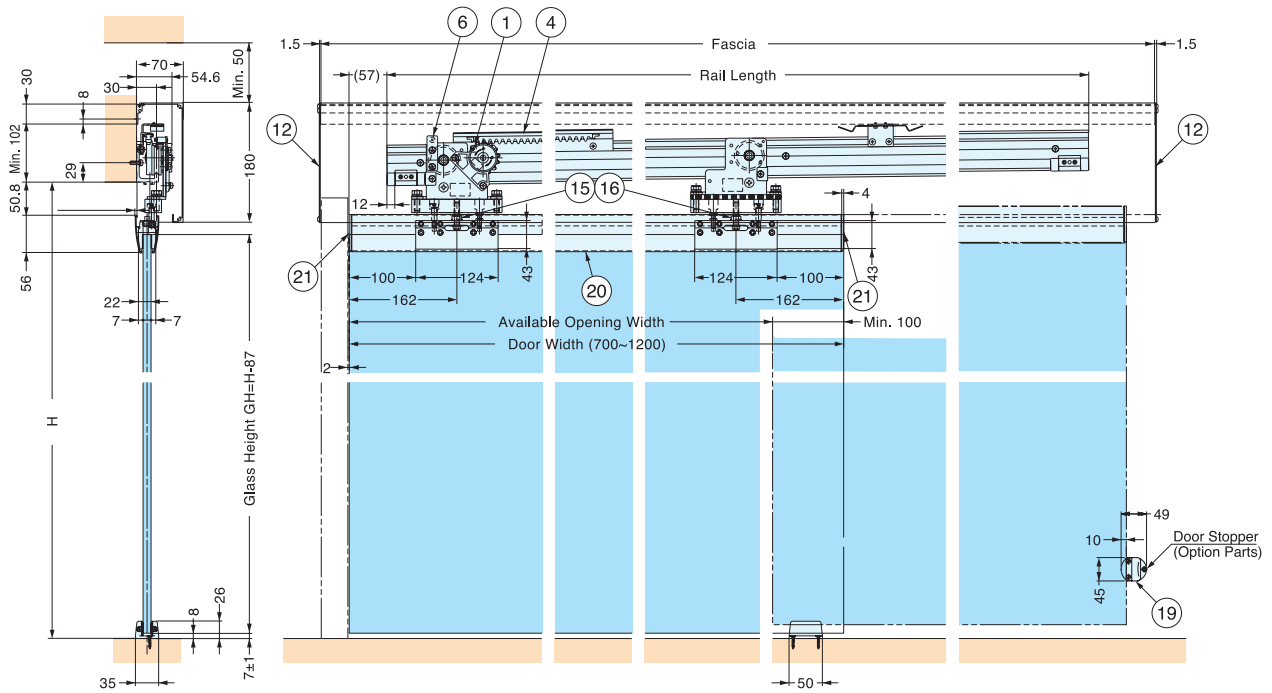
## ■ Door Stopper



## ■ Speed Adjustment



Closing speed adjustable by turning adjustment screw on damper.



Part Details

No.	①	②	③	④	⑤	⑥	⑦
Name	Damper	Roller A	Roller B	Gear Rack	Spring	Stopper Roller	Door Stopper
Qty. / Set	1 pc	1 pc	1 pc	1 pc	1 pc	1 pc	2 pcs
No.	⑧	⑨	⑩	⑪	⑫	⑬	⑭
Name	Stopper Plate	Height Adjustment Spacer	Roller Rail (2200 mm)	Fascia (2350 mm)	Side Cover	Mounting Plate (For Fascia) (2350 mm)	Glass Bracket
Qty. / Set	2 pcs	t1:15 pcs, t0.5:1 pc	1 pc	1 pc	1 pc ea. (Left & Right)	1 pc	2 pcs
No.	⑮	⑯	⑰	⑱	⑲	⑳	㉑
Name	Hanger Bolt	Nut	Bottom Guide	Bracket	Door Stopper	Bracket cover	End Cap Set
Qty. / Set	2 pcs	2 pcs	1 pc	2 pcs	1 pc	1 pc	1 set

# ALUMINUM FRAME SLIDING DOOR ( Door Weight 176 lbs )

# FD80-AF

SLIDING & FOLDING  
DOOR HARDWARE

ALUMINUM FRAME SLIDING DOOR ( DOOR WEIGHT 176 LBS )

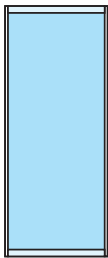


Type	FD80-AF			
	Standard Sliding		Two-Way Soft Close	
Roller	Top Recessed	Top Surface	Top Recessed	Top Surface
Door Weight	Max. 80 kg (176 lbs)			
Glass Thickness	5 or 6 mm			
Door Width	Max. 1500 mm (59-1/16")		804 ~ 1500 mm (31-5/8"~59-1/16")	
Door Height	Max. 2500 mm (98-27/64")			

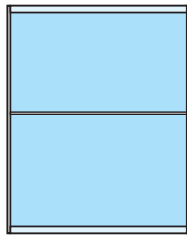
- Two-way soft closer option available.
- Top surface or recessed mount roller available.
- Thick aluminum profile provides excellent rigidity preventing door flex.
- Ball bearing roller provides ultra smooth movement.
- Easy assembly and installation.
- Intermediate support not needed when door size within H 2200 mm x W 900 mm (H 86-39/64" x W 35-7/16").
- No rail on floor needed.
- Swing door version available for total coordination. Please see P.570~572 for details.
- Black frame available by special order only.



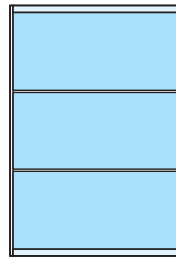
\* Intermediate support required when either door height or door width exceeds standard size. Pictures shown below are door size examples which require intermediate support.



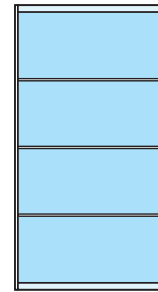
Standard Size  
(Smaller than H 2200 x W 900)



1 Support  
(Smaller than H 2000 x W 1600)



2 Supports  
(Smaller than H 2200 x W 1500)



3 Supports  
(Smaller than H 2500 x W 1300)

**Parts Set  
(per door)**
**Necessary Parts**

Please refer to "Qty [a]-[d]" for parts included in each set.

	Item No.	Description	
		Roller	Function
[a]	FD80-DHCHP-AF	Top Recessed	Two Way Soft-Close
[b]	FD80-HHP-AF	Top Recessed	Standard Sliding
[c]	FD80-DHCMP-AF	Top Surface	Two Way Soft-Close
[d]	FD80-HMP-AF	Top Surface	Standard Sliding

**Parts Included**

No.	Qty				Part Name	Description
	[a]	[b]	[c]	[d]		
1	1 pc	-	-	-	Top Recessed Roller Soft-Closer (Two-Way) FD80-WRH-DSC	<ul style="list-style-type: none"> <li>Material Zinc Alloy/Polyacetal/Steel</li> <li>Finish Nickel/Black</li> </ul>
2	1 pc	2 pc	-	-	Top Recessed Roller Standard Sliding FD80-WRH	<ul style="list-style-type: none"> <li>Material Zinc Alloy/Polyacetal/Steel</li> <li>Finish Nickel/Natural</li> </ul>
3	-	-	1 pcs	-	Top-Surface Roller Soft-Closer (Two-Way) FD80-WRM-DSC	<ul style="list-style-type: none"> <li>Material Zinc Alloy/Polyacetal/Steel</li> <li>Finish Nickel/Black</li> </ul>
4	-	-	1 pc	2 pcs	Top-Surface Roller Standard Sliding FD80-WRM	<ul style="list-style-type: none"> <li>Material Zinc Alloy/Polyacetal/Steel</li> <li>Finish Nickel/Natural</li> </ul>
5	1 pc	1 pc	1 pc	1 pc	Floor Guide FD50-BG18	<ul style="list-style-type: none"> <li>Material 304 Stainless Steel, POM</li> <li>Finish Plain/White</li> </ul>
6	-	2 pcs	-	2 pcs	End Stopper FD80-HTST	<ul style="list-style-type: none"> <li>Material Steel/Polyacetal</li> <li>Finish Chromate/White</li> </ul>
7	-	-	1 pc	1 pc	Sheet Nut FD80-AFB	<ul style="list-style-type: none"> <li>Material Steel</li> <li>Finish/Chromate</li> </ul>
8	2 pcs	2 pcs	-	-	End Cap AF-25HB-EC	<ul style="list-style-type: none"> <li>Material/Elastomer</li> <li>Finish/Grey</li> </ul>

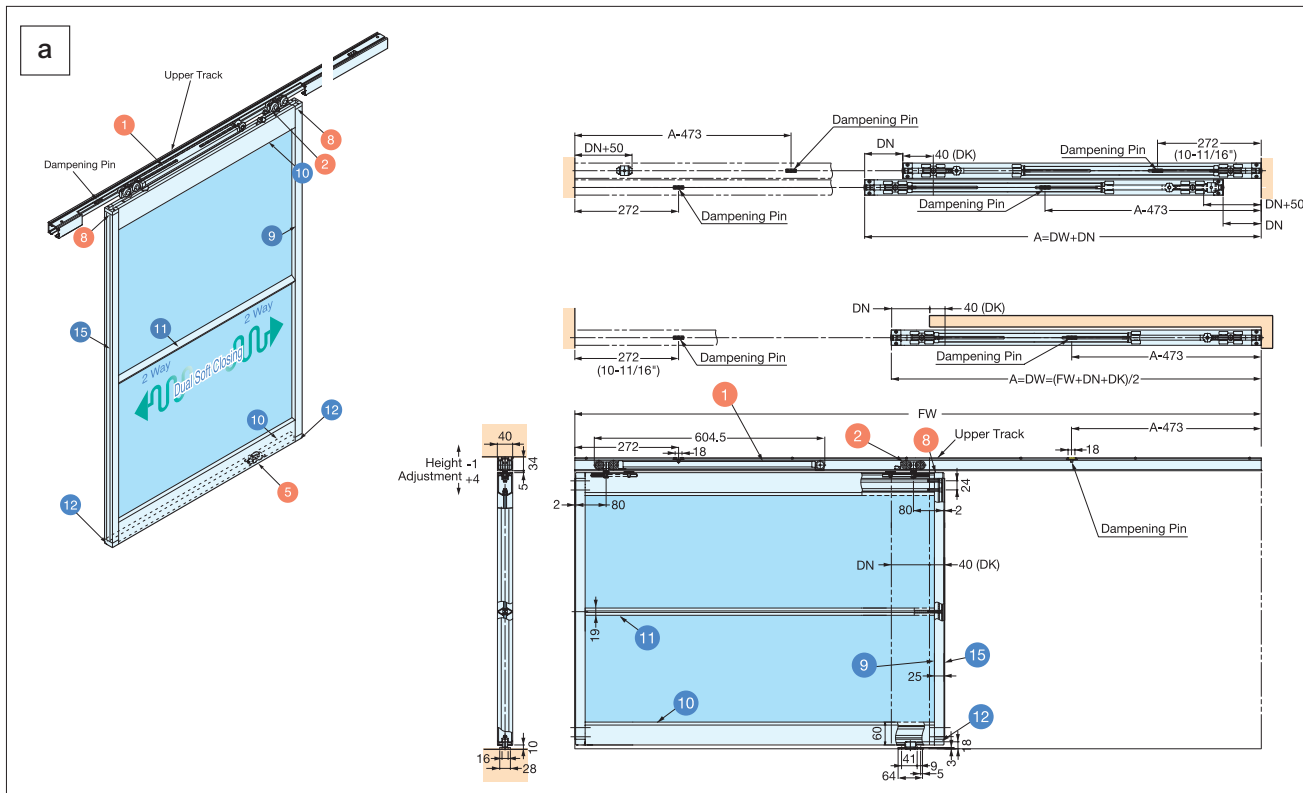
**Part Details**

No.	Part Name	Description
9	Vertical Frame AF-25-W01	<ul style="list-style-type: none"> <li>Material Aluminum</li> <li>Finish Matte Silver</li> </ul>
10	Horizontal Frame AF-25-W02	<ul style="list-style-type: none"> <li>Material Aluminum</li> <li>Finish Matte Silver</li> </ul>
11	Intermediate Support (Optional) AF-25-W03	<ul style="list-style-type: none"> <li>Material Aluminum</li> <li>Finish Matte Silver</li> </ul>
12	Connector AF-25-P04	<ul style="list-style-type: none"> <li>Material Zinc Alloy</li> <li>Finish Matte Chrome</li> </ul>
13	Gasket	<ul style="list-style-type: none"> <li>Material Elastomer</li> <li>Finish Light Grey</li> </ul>
14	Gasket for Intermediate Support (Optional)	AF-25-P02 (For 5 mm Glass)
		AF-25-P15 (For 6 mm Glass)
14	Gasket for Intermediate Support (Optional)	AF-25-P03 (For 5 mm Glass)
		AF-25-P16 (For 6 mm Glass)
15	Edge Cover AF-25-P01-25	<ul style="list-style-type: none"> <li>Material Elastomer</li> <li>Finish Light Grey</li> </ul>
16	Handle (Optional) MN799Z160E101	<ul style="list-style-type: none"> <li>Material Zinc Alloy</li> <li>Finish Matte Chrome</li> </ul>
17	Screw Set for AF-25H AF-25-HS	<ul style="list-style-type: none"> <li>Material 304 Stainless Steel</li> <li>Finish Plain</li> </ul>

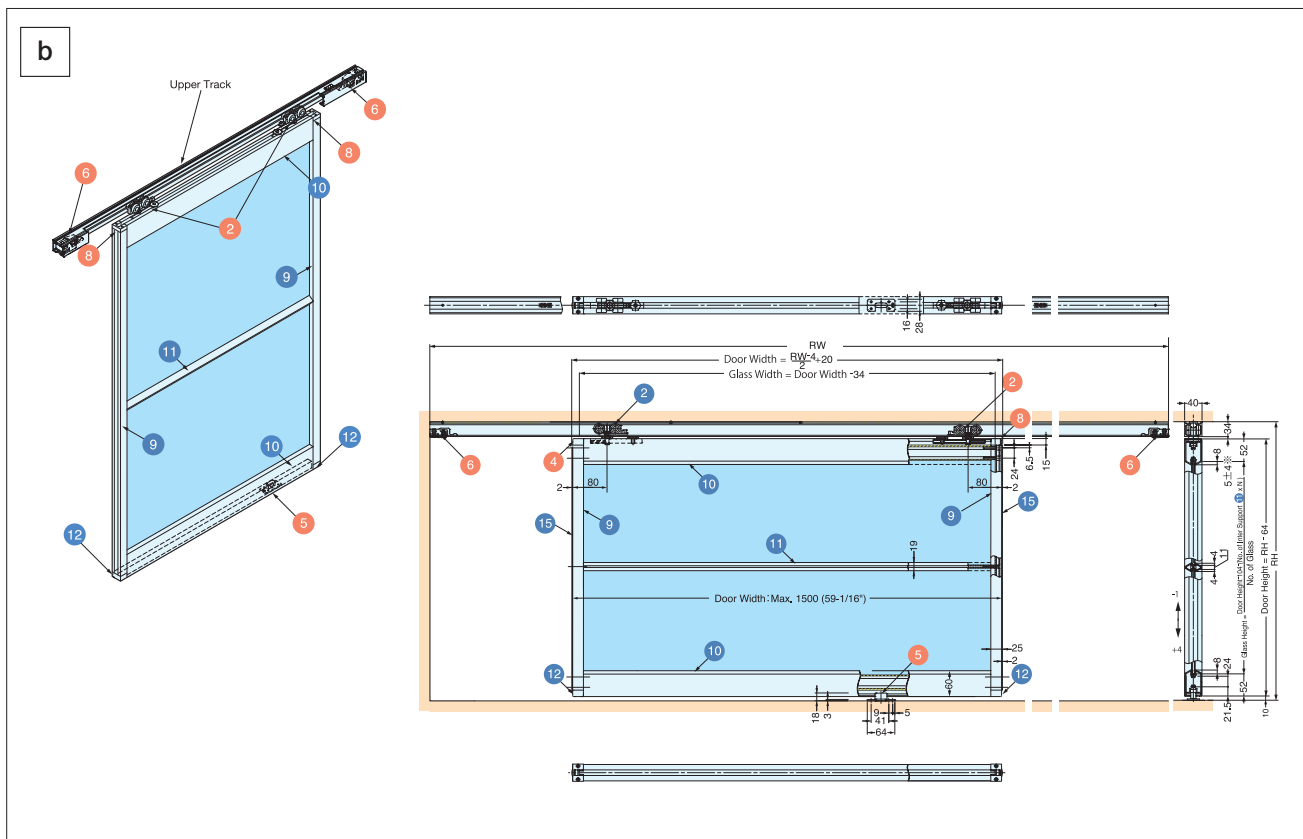
**Upper Tracks**

Length	Item No.	Dimensions, Material / Finish
78-3/4" (2000 mm)	FD80-TRM2000SIL	 Aluminum / Anodized Silver
107-1/2" (2730 mm)	FD80-TRM2730SIL	
143-5/16" (3640 mm)	FD80-TRM3640SIL	

■ FD80-AF / Top Recessed Roller / Two-Way Soft Close

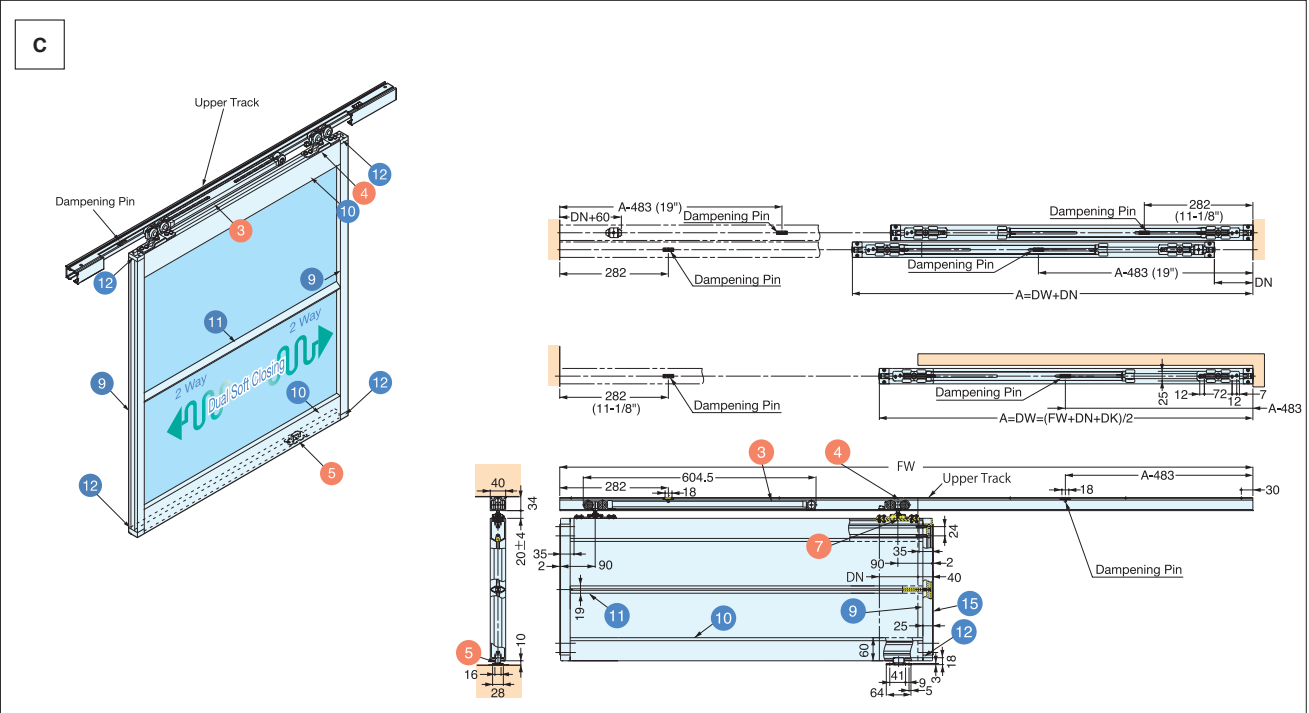


■ FD80-AF / Top Recessed Roller / Standard Sliding





■ FD80-AF / Top Surface Roller / Two-Way Soft Close



■ FD80-AF / Top Surface Roller / Standard Sliding

