

HANDLES, PULLS & KNOBS



HATCH PULL
PUSH KNOB
RECESSED
TRUNK

LARGE HANDLES

Picture	Item No.	Center to Center	Page
	MDHL	9-29/64"~ 29-9/64"	314
	MDH	7-9/16"~ 47-1/4"	315
	MP-500, 750, 1000	18-17/64"~ 37-61/64"	316
	RH-760	29-59/64"	316
	MTH	11-13/16"~ 23-5/8"	317
	APH	11-13/16"~ 23-5/8"	318
	SSH	12-7/16"~ 28-3/16"	319
	SOR	13-3/16"~ 27-61/64"	319
	TBH	4-21/64"	320
	SBH	12-13/64"~ 27-61/64"	320
	SYH	5-1/16"~ 8-13/16"	321
	CJH	4-39/64"~ 5-29/64"	321
	SJH	5-1/8"~ 6-19/64"	322

HANDLES (BACK SCREW MOUNT)

Picture	Item No.	Center to Center	Page
	KK-H	2-3/4"~ 4-23/32"	323
	KK-M	2-3/4"~ 4-23/32"	323
	SGH-200	6-7/8"	324
	SWP	3"~4"	325
	SWF	4"~12"	325
	H-42-F14	3-5/32"	325
	H-42-C	2-23/64"~ 11-11/32"	326
	H-42-B	1-37/64"~ 11-11/32"	326
	H-75-BL-100	3-15/16"	326
	HK	3-15/32"~ 5-3/64"	327

Picture	Item No.	Center to Center	Page
	H-75-C	2-23/64"~ 4-23/32"	327
	LF-12	3-25/32"~ 6-19/64"	327
	XL-JS	6-19/64"~ 13-3/32"	328
	XL-JSR	1-17/64"~ 5-1/32"	328
	ECH	2-61/64"~ 11-13/16"	329
	XL-CU	2-27/32"~ 11-1/2"	329
	XL-CUR	2-3/4"~ 5-33/64"	329
	DL	2-33/64"~ 5-43/64"	330
	DS	63/64"~ 3-11/32"	330
	EC	3-5/8"~ 6-25/32"	330
	FB	3-7/32"~ 4-23/32"	331
	KB	63/64"~ 3-11/32"	331
	KS	3"~4"	331
	KC-S	3-1/2"~6"	332
	KC-R	3-1/2"~6"	332
	EK-S	3-1/2"~6"	332
	EK-R	3-1/2"~6"	333
	16 SERIES	3-25/32"~ 23-5/16"	340
	27 SERIES	3-25/32"~ 23-5/16"	340
	DIH	3-25/32"~ 23-5/16"	340
	KPH	6-19/64"~ 11-11/32"	343
	40 SERIES	5-1/32"~ 7-9/16"	343
	30 SERIES	3-25/32"~ 7-9/16"	344
	50 SERIES	3-25/32"~ 7-9/16"	344
	82 SERIES	6-19/64"~ 12-19/32"	345

Picture	Item No.	Center to Center	Page
	26 SERIES	3-25/32"~ 54-13/16"	346
	28 SERIES	3-25/32"~ 54-51/64"	346
	70 SERIES	3-25/32"~ 12-19/32"	346
	SAZ	4-1/64"	347
	936 SERIES	2-11/64"~ 3-61/64"	347
	XLA-HA	3-25/32"~ 12-19/32"	347

HANDLES (FRONT SCREW MOUNT)

Picture	Item No.	Center to Center	Page
	EC-Y	4-23/32"~ 6-11/16"	333
	MG	5-29/32"~ 11-13/16"	333
	2LC	2-33/64"~ 7-3/32"	334
	2LC-TI	2-33/64"~ 5-1/32"	334
	3LC	4-9/64"~ 4-59/64"	334
	4LC	2-33/64"~ 6-19/64"	335
	US	2-1/8"~ 5-33/64"	335
	EC-H	4-17/32"~ 5-45/64"	335
	FT-110S	4-21/64"	336
	FT-65, 80, 100	2-1/4"~ 3-15/32"	336
	FT-120, 150	4-11/64"~ 5-3/16"	336
	FT-200, 280	6-57/64"~ 9-31/32"	337
	FT-S280, 370	7-23/32"~ 10-29/32"	337
	MH-P120	3-15/16"	338
	MH-P170	5-29/32"	338
	FT-R	4-1/4"~ 5-43/64"	339
	FT-T	3-25/32"~ 6-59/64"	339
	MJH	3-21/32"~ 5-29/32"	341

Picture	Item No.	Center to Center	Page
	KMH	3-15/16"~ 5-29/32"	342

RECESSED PULLS





Picture	Item No.	Page
	XLA-HH	348
	HH-M	348
	HH-PS99	349
	HH-P	349
	UP-600	349
	AT-100	350
	AT-70	350
	ATS-100	350
	HH-JS	351
	HH-JW	351
	UTA-105	352
	HH-AS2TI	353
	5103	353
	HH-KL160	354
	HH-KP150	354
	HH-FB, HH-FC	354
	HH-D	355
	UT	355
	SP	355
	HH-AS2	356
	HH-AS3	356
	ES	356

Picture	Item No.		Page
	HH-KS	NSF COMPONENT STAINLESS 316 STEEL	357
	HH-DS	NSF COMPONENT STAINLESS 316 STEEL	357
	HH-K	NSF COMPONENT STAINLESS 316 STEEL	357
	SD-160		358
	UTZ-130		358
	HH-P135		358
	RP	STAINLESS 304 STEEL	359
	OP-150	STAINLESS 304 STEEL	359
	HN	STAINLESS 304 STEEL	359
	3511, 3512 SERIES		360
	3922 SERIES		360
	YK-70	STAINLESS 304 STEEL	360
	YK-W100	STAINLESS 304 STEEL	361
	DR	STAINLESS 304 STEEL	361
	RD	STAINLESS 316 STEEL	361
	SN	STAINLESS 304 STEEL	362
	SND	NSF COMPONENT STAINLESS 304 STEEL	362
	DSI-350	STAINLESS 304 STEEL	362
	26700	STAINLESS 316 STEEL	363
	26900	STAINLESS 316 STEEL	363
	26901	STAINLESS 316 STEEL	363
	980643	STAINLESS 304 STEEL	364
	980641, 980642	STAINLESS 304 STEEL	364
	980640	STAINLESS 304 STEEL	364
	TO		365

Picture	Item No.		Page
	3261, 3262 SERIES		365
	HCT-150	STAINLESS 316 STEEL	366
	MUD-140		366
	TMU-115		367
	PT-148		367

RECESSED PULLS

Picture	Item No.		Page
	CU-L-35	STAINLESS 303 STEEL	368
	RS-38	NSF COMPONENT STAINLESS 304 STEEL	368
	RSS	NSF COMPONENT STAINLESS 304 STEEL	368
	EY-127	STAINLESS 304 STEEL	369
	EY-207	STAINLESS 304 STEEL	369
	EY-301	STAINLESS 304 STEEL	369
	EY-320	STAINLESS 304 STEEL	370
	EY-326	STAINLESS 304 STEEL	370
	EY-327	STAINLESS 304 STEEL	370
	EY-338	STAINLESS 304 STEEL	371
	EY-339	STAINLESS 304 STEEL	371
	A SERIES	ALUMINUM	371
	PK-03		372
	KK-T	ALUMINUM	372
	KK-B	ALUMINUM	372

HATCH PULL			Page
Picture	Item No.		
	ST-90, 115	NSF COMPONENT STAINLESS 304 STEEL	373
	ST-80, 100	NSF COMPONENT STAINLESS 304 STEEL	373
	HR	STAINLESS 304 STEEL	374
	HR-R	STAINLESS 304 STEEL	374

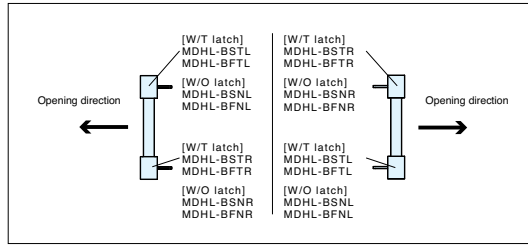
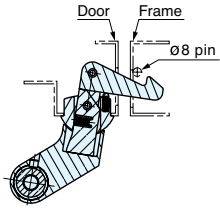


LARGE HANDLE (W/LATCH)

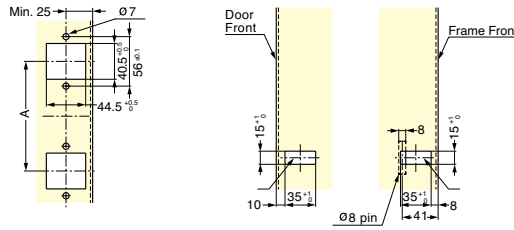
HANDLES, PULLS & KNOBS

LARGE HANDLE (W/LATCH)

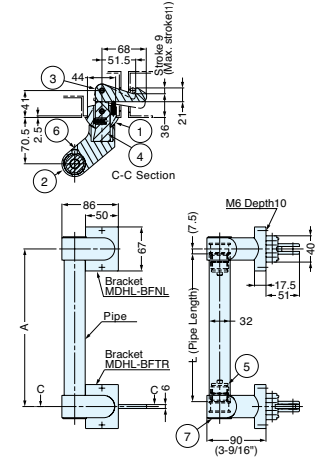
- Sliding door handle with latch function.
- Latch releases when the door is pulled.
- Flexible design options by selecting pipe & bracket parts separately.



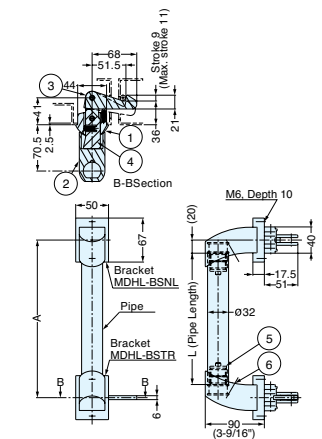
Bracket Installation



Door Cut Out Dimensions Frame Cut Out Dimensions



wirh Bracket MDHL-BF model (Off-Set)



Bracket and Pipe Combination
wirh Bracket MDHL-BS model (Straight)

No.	Part Name	Material	Finish
①	Base	Zinc Alloy	Matte Chrome
②	Arm		
③	Latch Hook		
④	Rotary Parts A	Zinc Alloy	Plain
⑤	Rotary Parts B		
⑥	Screw	Stainless Steel	
⑦	Cap	Polyacetal	Black

Item No.	Bracket	Material	Finish	L (Pipe Length)	A (Hole Pitch)
MDHL-SPS240	MDHL-BS type	304 Stainless Steel	Satin	200 (7-7/8")	240 (9-29/64")
MDHL-SPS340				300 (11-13/16")	340 (13-25/64")
MDHL-SPS440				400 (15-3/4")	440 (17-21/64")
MDHL-SPS540				500 (15-3/4")	540 (21-17/64")
MDHL-SPS640				600 (23-5/8")	640 (25-13/64")
MDHL-SPS740				700 (27-9/16")	740 (29-9/64")
MDHL-SPC240		Carbon Fiber Reinforced Polymer (CFRP)	Black	200 (7-7/8")	240 (9-29/64")
MDHL-SPC340				300 (11-13/16")	340 (13-25/64")
MDHL-SPC440				400 (15-3/4")	440 (17-21/64")
MDHL-SPC540				500 (19-11/16")	540 (21-17/64")
MDHL-SPC640				600 (23-5/8")	640 (25-13/64")
MDHL-SPC740				700 (27-9/16")	740 (29-9/64")
MDHL-FPS240	MDHL-BF type	304 Stainless Steel	Satin	225 (8-55/64")	240 (9-29/64")
MDHL-FPS340				325 (12-51/54")	340 (13-25/64")
MDHL-FPS440				425 (16-47/64")	440 (17-21/64")
MDHL-FPS540				525 (20-43/64")	540 (21-17/64")
MDHL-FPS640				625 (24-39/64")	640 (25-13/64")
MDHL-FPS740				725 (28-35/64")	740 (29-9/64")
MDHL-FPC240		Carbon Fiber Reinforced Polymer (CFRP)	Black	225 (8-55/64")	240 (9-29/64")
MDHL-FPC340				325 (12-51/54")	340 (13-25/64")
MDHL-FPC440				425 (16-42/64")	440 (17-21/64")
MDHL-FPC540				525 (20-43/64")	540 (21-17/64")
MDHL-FPC640				625 (24-39/64")	640 (25-13/64")
MDHL-FPC740				725 (28-35/64")	740 (29-9/64")

Item No.	Latch
MDHL-BSTL	W/T Latch
MDHL-BSNL	W/O Latch
MDHL-BSTR	W/T Latch
MDHL-BSNR	W/O Latch
MDHL-BFTL	W/T Latch
MDHL-BFNL	W/O Latch
MDHL-BFTR	W/T Latch
MDHL-BFNR	W/O Latch

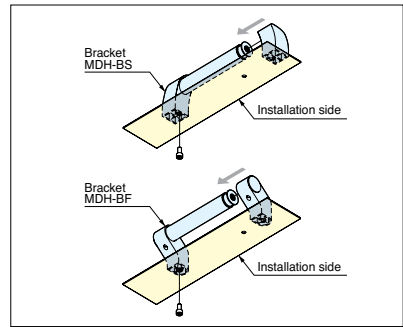
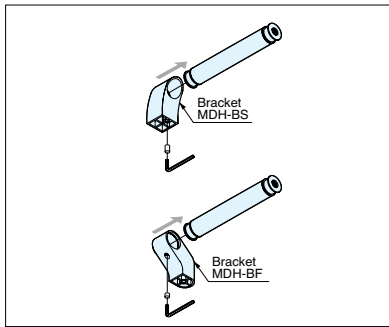
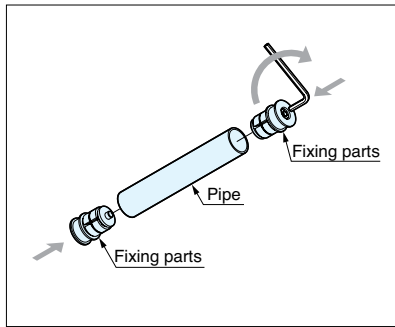
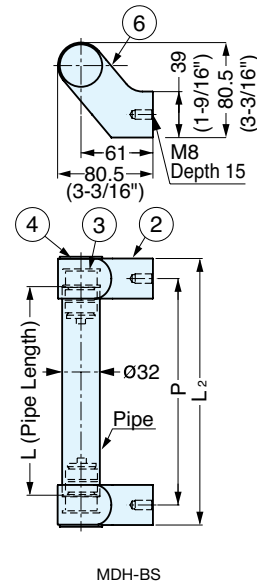
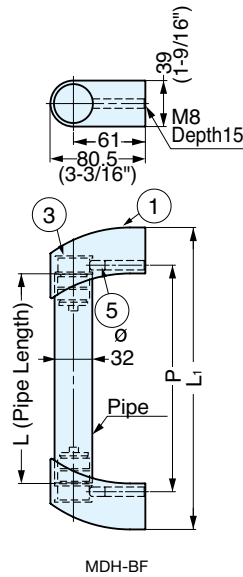
LARGE HANDLE



MDH



- Flexible design options by selecting pipe & bracket parts separately.
- Pipe can be cut to desired length.
- CFRP material is coated using a special light weight UV Beam.



Item No.	Parts	Weight (g)
MDH-BS	Bracket (Straight)	1010
MDH-BF	Bracket (Off-set)	1122

No.	Part Name	Material	Finish/Color
①	Bracket (Straight)	Zinc Alloy	Matte Chrome
②	Bracket (Offset)		
③	Fixing Parts		
④	Cover	Polyacetal	
⑤	HEX set screw M8x15	Stainless Steel	Black
⑥	HEX set screw M8x8		Plain

Item No.	Material	Finish	L (Pipe Length)	L ₁	L ₂	P	Weight (g)
MDH-PS192	304 Stainless Steel	Satin	177 (6-31/32")	256	226	192 (7-9/16")	384
MDH-PS350			335 (13-3/16")	414	384	350 (13-25/32")	727
MDH-PS500			485 (19-3/32")	564	534	500 (19-11/32")	1050
MDH-PS800			785 (30-29/32")	864	834	800 (31-1/2")	1700
MDH-PS1200			1185 (46-21/32")	1264	1234	1200 (47-1/4")	2570
MDH-PC192	Carbon Fiber Reinforced Polymer (CFRP)	Black	177 (6-31/32")	256	226	192 (7-9/16")	70
MDH-PC350			335 (13-3/16")	414	384	350 (13-25/32")	132
MDH-PC500			485 (19-3/32")	564	534	500 (19-11/32")	191
MDH-PC800			785 (30-29/32")	864	834	800 (31-1/2")	309
MDH-PC1200			1185 (46-21/32")	1264	1234	1200 (47-1/4")	467

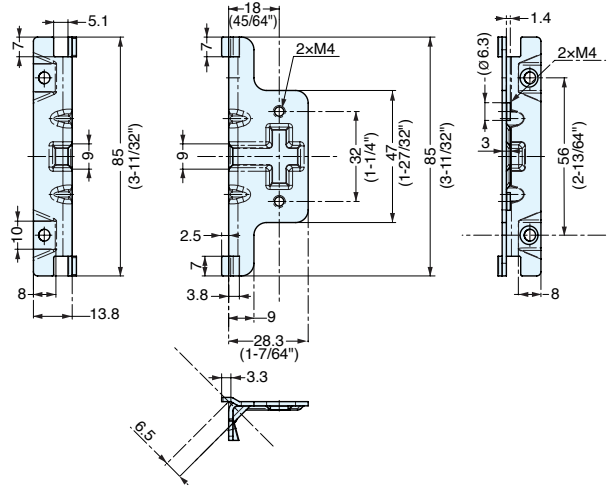
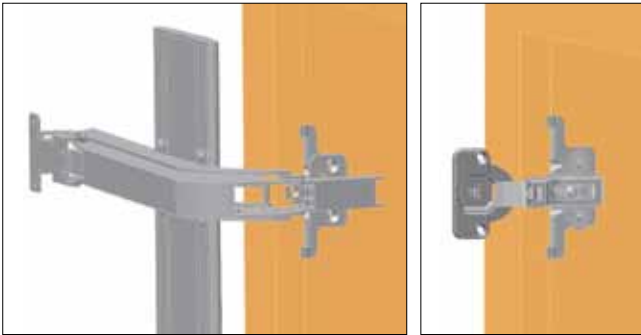
FACE FRAME BRACKET



FFCB-HG-1



- Works with items below on face frame cabinets:
 - LIN-X
 - 304B Hinges (with 304B-P4A-32)
 - 230 Hinges (with 230-P4W-32T)
- Sold per piece.
- Please specify the quantity of brackets necessary when ordering: 1 bracket is needed for each arm (LIN-X) or hinge (304B, 230).



Material	Finish
304 Stainless Steel	Polished

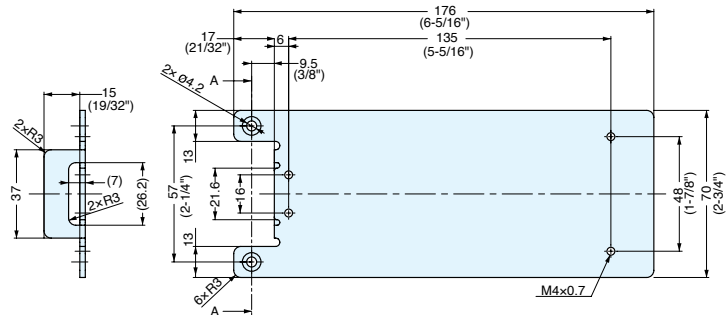
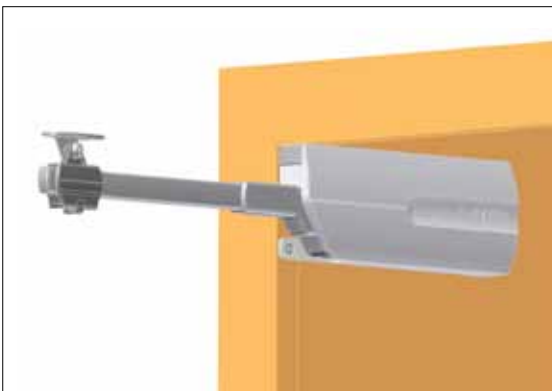
FACE FRAME BRACKET



FFCB-SLS



- Works with SLS-ELAN Series on face frame cabinets.
- Sold per piece.
- Please specify the quantity of brackets necessary when ordering: 1 bracket is needed for each stay.



Material	Finish
Steel	Chromate

LARGE HANDLE (ALUMINUM PIPE)



MTH

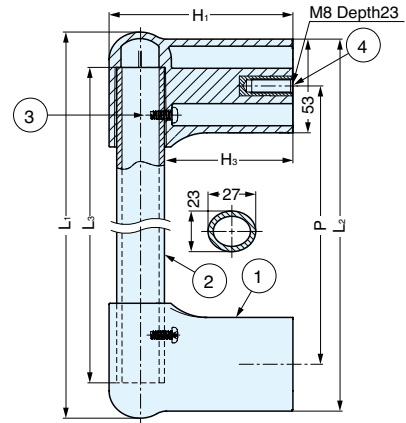
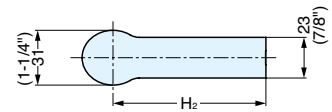
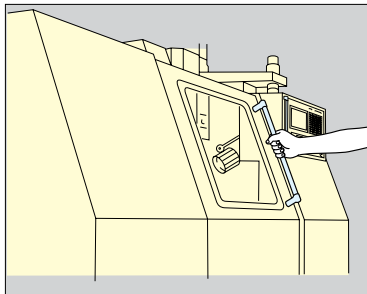
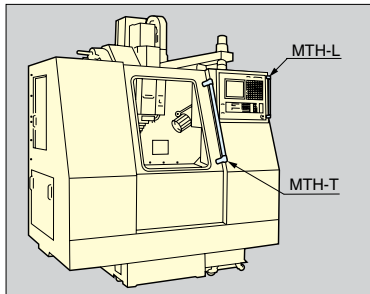
- Aluminum handle with different length options for various applications.
- Can be cut to custom fit applications.



MTH-L



MTH-T



No.	Part Name	Material	Finish/Color
①	Bracket	Polyamide	Black
②	Pipe	Aluminum Alloy	Anodized
③	Screw 5x12	Steel	Yellow Zinc Chromate
④	Nut	Brass	-

Item No.	Load Capacity (kgf)	L ₁	L ₂	L ₃	P	H ₁	H ₂	H ₃	Weight (g)
MTH-L300	51 (112lbs)	360 (14-11/64")	352 (13-55/64")	320 (12-19/32")	300 (11-13/16")	74 (2-29/32")	56.5 (2-7/32")	43 (1-11/16")	360
MTH-L450		510 (20-5/64")	502 (19-49/64")	470 (18-1/2")	450 (17-23/32")				445
MTH-L600		660 (25-63/64")	652 (25-43/64")	620 (24-13/32")	600 (23-5/8")				530
MTH-T300		360 (14-11/64")	352 (13-55/64")	320 (12-19/32")	300 (11-13/16")	104 (4-3/32")	86.5 (3-23/64")	73 (2-7/8")	430
MTH-T450		510 (20-5/64")	502 (19-49/64")	470 (18-1/2")	450 (17-23/32")				515
MTH-T600		660 (25-63/64")	652 (25-43/64")	620 (24-13/32")	600 (23-5/8")				600

LARGE HANDLE (ALUMINUM PIPE)

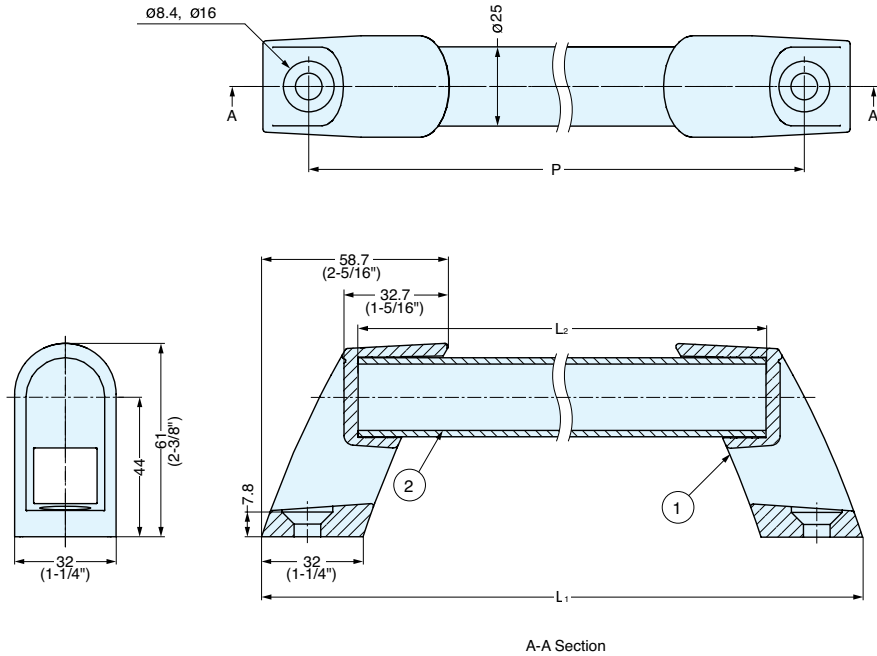
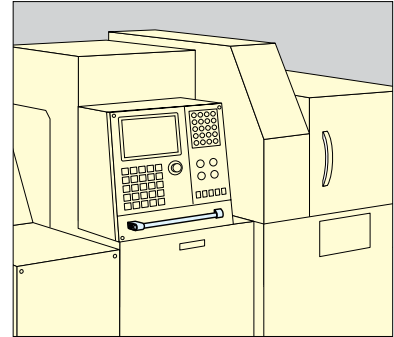


APH

HANDLES, PULLS & KNOBS

LARGE HANDLES

- Aluminum pipe handle with 4 different pipe lengths.
- Aluminum pipe can be cut to desired length.



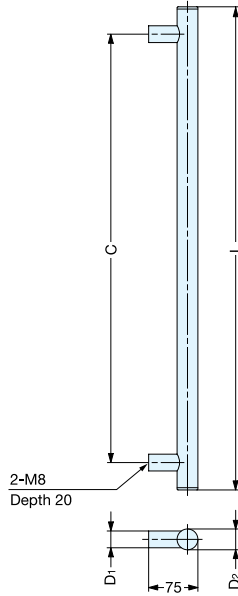
Item No.	L ₁	L ₂	P	Weight (g)
APH-P300	329 (12-61/64")	268 (10-35/64")	300 (11-13/16")	139
APH-P400	429 (16-57/64")	368 (14-31/64")	400 (15-3/4")	153
APH-P500	529 (20-53/64")	468 (18-27/64")	500 (19-11/16")	168
APH-P600	629 (24-49/64")	568 (22-23/64")	600 (23-5/8")	322

No.	Part Name	Material	Finish/Color
①	Bracket	Polyamide	Black
②	Pipe	Aluminum Alloy	Anodized

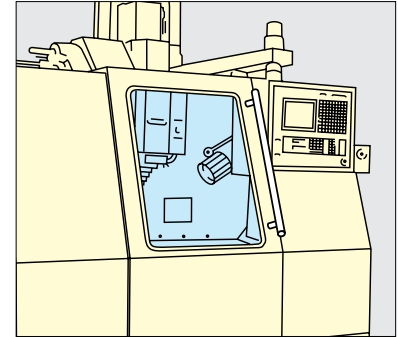
LARGE HANDLE



SSH



- Ideal in harsh environments and for machinery applications.
- Designed for applications where a heavy duty handle is required.
- Recommended screw size: M8x1.25



Item No.	L	C	D ₁	D ₂	Weight (g)	Box (pcs)	Carton (pcs)
SSH-2540	400 (15-3/4")	316 (12-7/16")	19	25	665	10	
SSH-2560	600 (23-5/8")	516 (20-5/16")			750		
SSH-2580	800 (31-1/2")	716 (28-3/16")			840		
SSH-3240	400 (15-3/4")	316 (12-7/16")	25	32	1175	5	
SSH-3260	600 (23-5/8")	516 (20-5/16")			1290		
SSH-3280	800 (31-1/2")	716 (28-3/16")			1400		

Material	Finish
304 Stainless Steel	Satin

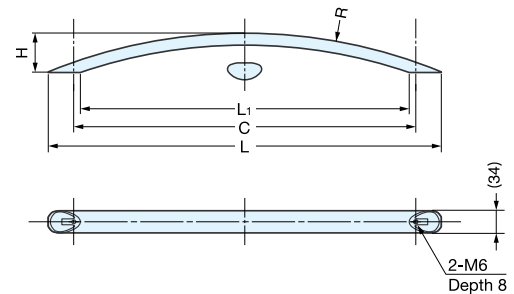
LARGE HANDLE



SOR



- Ideal for machinery applications where a large handle is required.

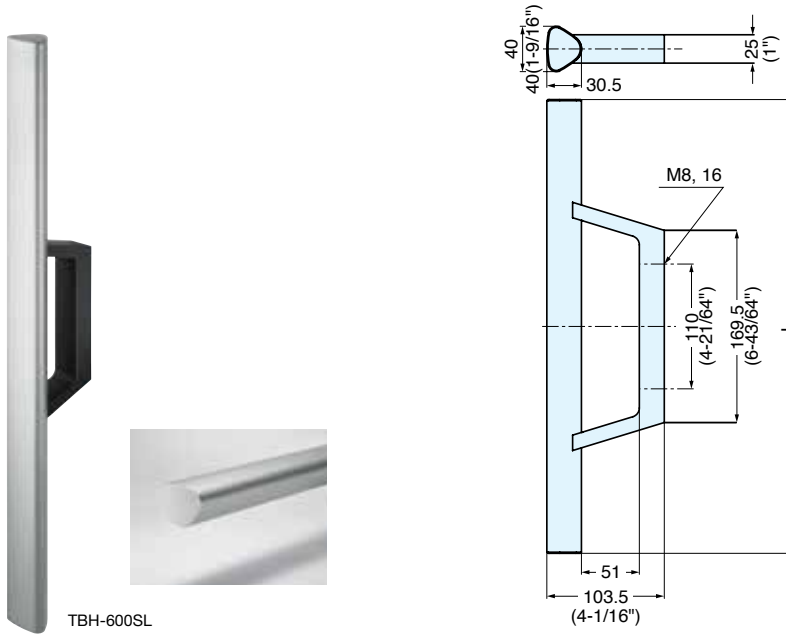


Material	Finish/Color
Aluminum	Anodized (S) Black (BL)

Item No.	L	L ₁	C	H	R	Weight (g)	Box (pcs)	Carton (pcs)
SOR-400/S	SOR-400/BL	390 (15-23/64")	323	335 (13-3/16")	(60) (2-23/64")	350	223	30
SOR-600/S	SOR-600/BL	600 (23-5/8")	502	522 (20-35/64")		790	315	20
SOR-800/S	SOR-800/BL	816 (32-1/8")	686	710 (27-61/64")		1440	425	15

LARGE HANDLE (STRAIGHT DESIGN)

TBH



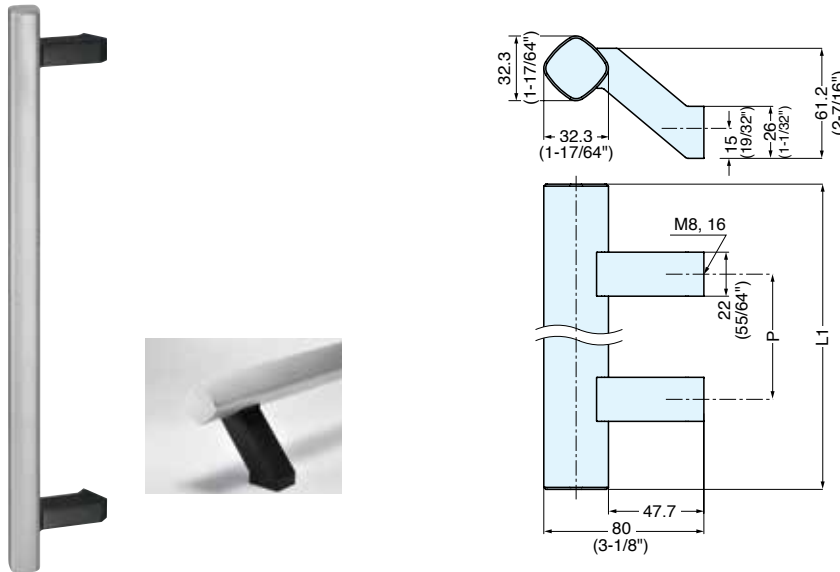
TBH-600SL

Item No.	Finish(Bar Handle)	L	Weight (g)
TBH-400SL	Silver	400 (15-3/4")	1300
TBH-400BL	Black		
TBH-600SL	Silver	600 (23-5/8")	1770
TBH-600BL	Black		

Part Name	Material	Finish
Bar Handle	Aluminum Alloy	Silver/Black
Bracket	Zinc Alloy	Black

LARGE HANDLE (OFF-SET DESIGN)

SBH



Item No.	Finish	L ₁	P	Weight (g)
SBH-400SL	Silver	400 (15-3/4")	310 (12-13/64")	893
SBH-400BL	Black			
SBH-600SL	Silver	600 (23-5/8")	510 (20-5/64")	1270
SBH-600BL	Black			
SBH-800SL	Silver	800 (31-1/2")	710 (27-61/64")	1647
SBH-800BL	Black			

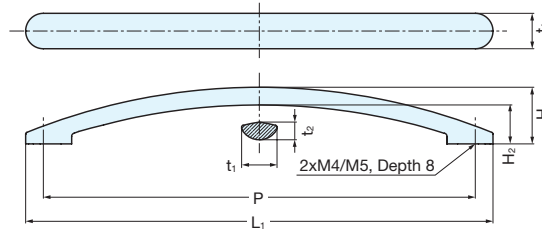
Part Name	Material	Finish/Color
Bar Handle	Aluminum Alloy	Silver/Black
Bracket	Zinc Alloy	Black

LARGE HANDLE

SYH



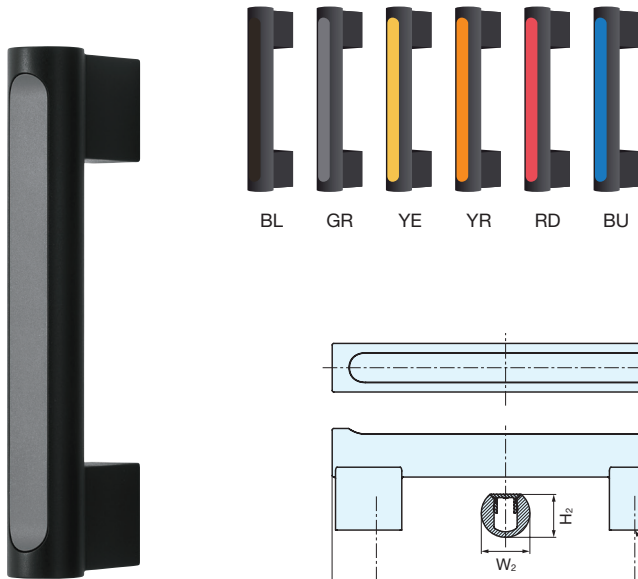
• Round handle with a straight edge design line to provide machinery with a modern appeal.



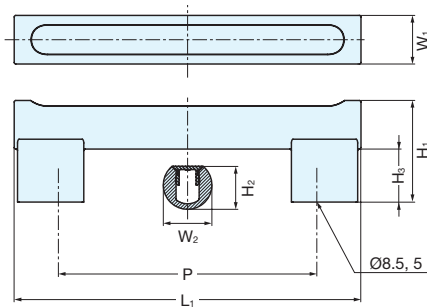
Item No.	L ₁	P	H ₁	H ₂	t ₁	t ₂	Material	Finish
SYH-128SL-M5	165 (6-1/2")	128 (5-1/16")	30 (1-3/16")	21 (53/64")	17	9	Aluminum Alloy	Silver(Anti-Bacterial coating)
SYH-224SL-M5	264 (10-3/8")	224 (8-13/16")	32 (1-17/64")	22 (55/64")	20	10		

LARGE HANDLE (W/COVER CAP OPTION)

CJH



• 6 color options that can be used to separate work processes or to warn of dangerous areas.



Item No.	Color	Weight(g)
CJHC-117BL	Black	4
CJHC-117GR	Grey	
CJHC-117YE	Yellow	
CJHC-117YR	Orange	
CJHC-117RD	Red	
CJHC-117BU	Blue	
CJHC-150BL	Black	6
CJHC-150GR	Grey	
CJHC-150YE	Yellow	
CJHC-150YR	Orange	
CJHC-150RD	Red	
CJHC-150BU	Blue	

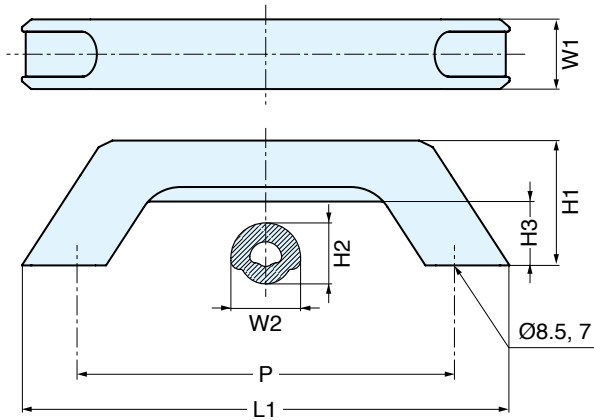
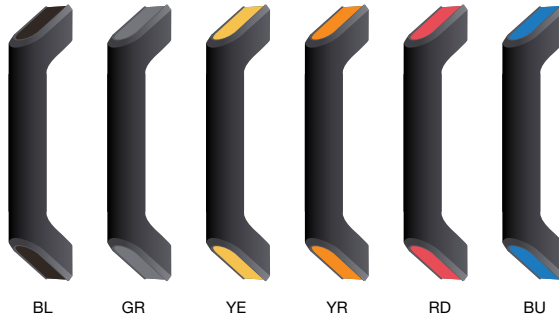
Item No.	L ₁	L ₂	W ₁	W ₂	H ₁	H ₂	H ₃	P	Weight(g)	Part Name	Material	Finish
CJH-117	157 (6-3/16")	93.0	22	17.0	46	19.5	24	117 (4-39/64")	67	Handle	Polyamide(Glass Filled)	Black
CJH-150	190 (7-1/2")	125.5	24	18.5	52	21.4	28	150 (5-29/64")	91	Cover Cap	Polyamide	6 color options

LARGE HANDLE (W/COVER CAP OPTION)

SJH

HANDLES, PULLS & KNOBS
LARGE HANDLES

• 6 color options that can be used to separate work processes or warn of dangerous areas.



Item No.	Color	Weight(g)
SJHC-130BL	Black	1.5
SJHC-130GR	Grey	
SJHC-130YE	Yellow	
SJHC-130YR	Orange	
SJHC-130RD	Red	
SJHC-130BU	Blue	
SJHC-160BL	Black	1.9
SJHC-160GR	Grey	
SJHC-160YE	Yellow	
SJHC-160YR	Orange	
SJHC-160RD	Red	
SJHC-160BU	Blue	

Part Name	Material	Finish
Handle	Polyamide(Glass Filled)	Black
Cover Cap	Polyamide	6 color options

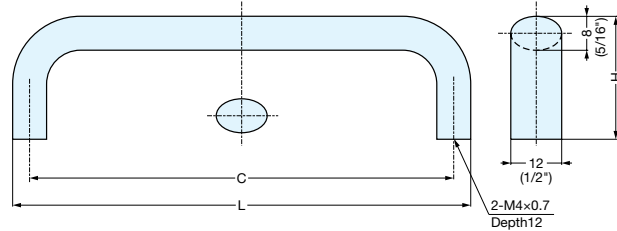
Item No.	L ₁	L ₂	W ₁	W ₂	H ₁	H ₂	H ₃	P	Weight(g)
SJH-130	168 (6-5/8")	110	26.5 (1-3/64")	24 (15/16")	43 (1-11/16")	21 (53/64")	22 (55/64")	130 (5-1/8")	76
SJH-160	198 (7-13/16")	140	28.5 (1-1/8")	26 (1-1/32")	49 (1-59/64")	23 (29/32")	26 (1-1/32")	160 (6-19/64")	103

HANDLE



KK-H

• Antibacterial Coating.



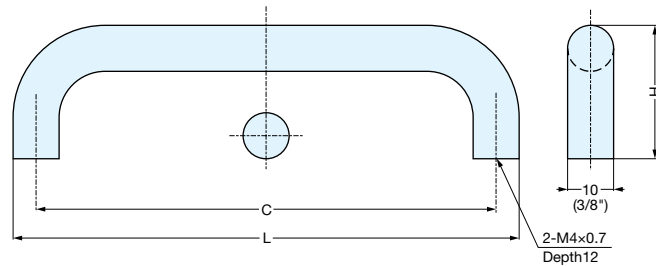
Item No.	Material	Finish/Color	L	C	H	Weight (g)	Box (pcs)	Carton (pcs)
KK-H80SNI	Aluminum Alloy	Nickel + Antibacterial Coating	78 (3-1/16")	70 (2-3/4")	28 (1-3/32")	20	25	200
KK-H80SSG		Satin Gold + Antibacterial Coating						
KK-H80SBR		Brown + Antibacterial Coating						
KK-H80BL		Black						
KK-H110SNI		Nickel + Antibacterial Coating	108 (4-1/4")	100 (3-15/16")	29 (1-9/64")	25		
KK-H110SSG		Satin Gold + Antibacterial Coating						
KK-H110SBR		Brown + Antibacterial Coating						
KK-H110BL		Black						
KK-H130SNI		Nickel + Antibacterial Coating	128 (5-1/32")	120 (4-23/32")	30 (1-3/16")	30		
KK-H130SSG		Satin Gold + Antibacterial Coating						
KK-H130SBR		Brown + Antibacterial Coating						
KK-H130BL		Black						

HANDLE



KK-M

• Antibacterial Coating.



Item No.	Material	Finish/Color	L	C	H	Weight (g)	Box (pcs)	Carton (pcs)
KK-M80SNI	Aluminum Alloy	Nickel + Antibacterial Coating	80 (3-1/8")	70 (2-3/4")	28 (1-3/32")	20	25	200
KK-M80SSG		Satin Gold + Antibacterial Coating						
KK-M80SBR		Brown + Antibacterial Coating						
KK-M110SNI		Nickel + Antibacterial Coating						
KK-M110SSG		Satin Gold + Antibacterial Coating	110 (4-5/16")	100 (3-15/16")	29 (1-9/64")	25		
KK-M110SBR		Brown + Antibacterial Coating						
KK-M130SNI		Nickel + Antibacterial Coating						
KK-M130SSG		Satin Gold + Antibacterial Coating						
KK-M130SBR		Brown + Antibacterial Coating	130 (5-1/8")	120 (4-23/32")	30 (1-3/16")	30		

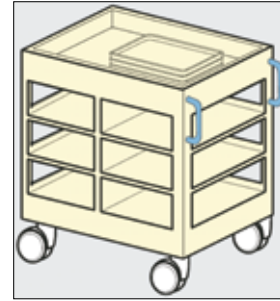
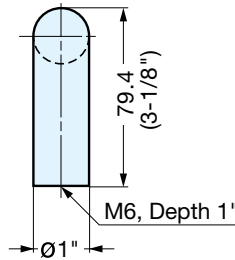
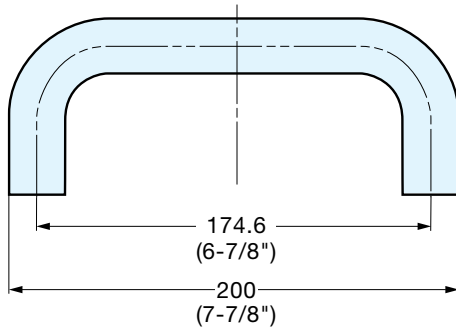
HANDLE



SGH-200

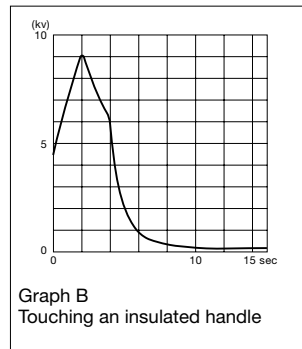
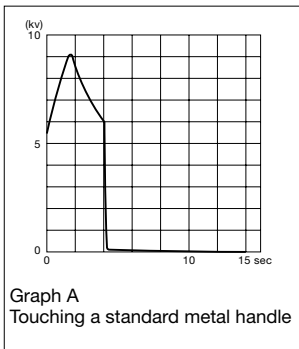


- SGH-200 is a specially insulated handle designed to reduce shock from static electricity build-up as well as inhibit bacterial transfer.
- Textured, soft handle improves grip in manufacturing environments where lubricants are used, improving conditions when slippage is a safety concern.
- Un-obtrusive light blue color.
- Suitable for use in environments -22°F to 176°F (-30°C to 80°C).
- For use on medical, pharmaceutical, and electronic equipment; in educational, institutional, and industrial facilities where limiting transfer of static electricity or bacteria is important to operations.



Note: Details provided for this hardware's properties/specifications are for general information only. Grounding is required to discharge electricity, and shock reduction is effective only when installed on electrically conductive surfaces. Safety of a final product or equipment is not guaranteed when used as a component. This hardware is designed to reduce – not completely eliminate – shock from static electricity. Sensitivity to shock may vary.

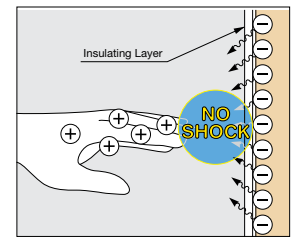
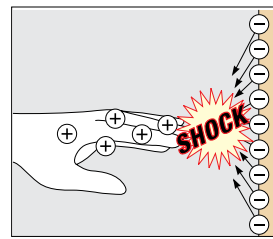
Properties of Special Elastomer Coating



The y-axis represents the natural voltage of the human body (in kiloVolts), and the x-axis represents elapsed time (in seconds). Contact with the hardware occurs at the 4 second mark.

There is an instantaneous discharge to 0kV in Graph A, compared to a delayed discharge to 1kV over 2 seconds in Graph B. This would result in a stronger electric discharge and shock for a metal handle (Graph A) compared to the SGH-200 (Graph B).

Pathway of Releasing Electrical Discharge



In the figures above, a human hand with a positive charge is approaching a conductive surface with a negative charge (e.g., metal). The figure on the right incorporates a layer to insulate the discharge.

Direct physical contact with a conductive surface (metal, etc.) may result in a discharge of static electricity, causing discomfort. The insulating coating of the SGH-200 acts as a buffer to reduce the rate of discharge and lessen the resulting shock (depicted above). The elastomer used for insulation incorporates a resin specially formulated for a specific conductivity.

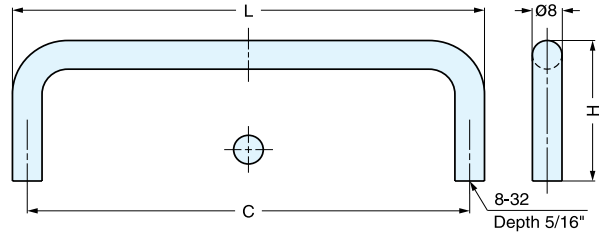
Item No.	Color	Material	Weight (g)	Box (pcs)	Carton (pcs)
SGH-200	Light Blue	Base Material: Polyamide; Coating: Special Elastomer	250	20	-

WIRE PULL



SWP

• Ideal for harsh and highly corrosive environments.



Item No.	L	C	H	Weight (g)	Box (pcs)	Carton (pcs)
SWP-630/S	84.2 (3-5/16")	76.2 (3")	34 (1-11/32")	71	20	200
SWP-635/S	96.9 (3-13/16")	88.9 (3-1/2")		78		
SWP-640/S	109.6 (4-5/16")	101.6 (4")		85		
SWP-696/S	104.0 (4-3/32")	96.0 (3-25/32")		91		

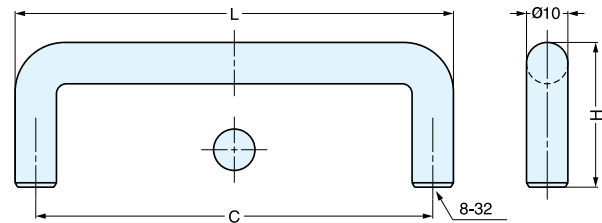
Material	Finish
316 Stainless Steel	Satin

WIRE PULL



SWF

• Ideal for harsh and highly corrosive environments.



Item No.	L	C	H	Weight (g)	Box (pcs)	Carton (pcs)
SWF-640	111.0 (4-3/8")	101.5 (4")	35 (1-3/8")	90	20	160
SWF-650	136.5 (5-3/8")	127.0 (5")		110		160
SWF-660	162.0 (6-3/8")	152.5 (6")		130		120
SWF-690	238.0 (9-3/8")	228.5 (9")		200		120
SWF-6120	314.5 (12-3/8")	305.0 (12")		270		80

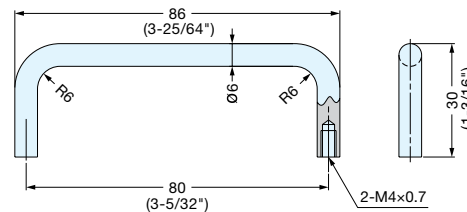
Material	Finish
316 Stainless Steel	Satin

WIRE PULL



H-42-F14

• Ideal for harsh and highly corrosive environments.



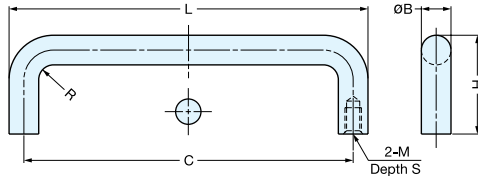
Item No.	Weight (g)	Box (pcs)	Carton (pcs)
H-42-F14	25	50	250

Material	Finish
316 Stainless Steel	Mirror

WIRE PULL



H-42-C



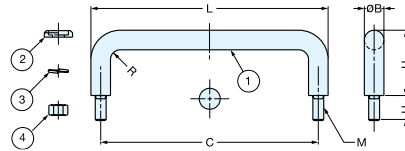
Material	Finish
304 Stainless Steel	Mirror

Item No.	L	H	B	C	S	M	R	Weight (g)	Box (pcs)	Carton (pcs)
H-42-C-8	66 (2-19/32")	22 (55/64")	6	60 (2-23/64")	7	M4 x 0.70	3.0	18	100	500
H-42-C-14	86 (3-25/64")			80 (3-5/32")				25		
H-42-C-1	75 (2-61/64")	30 (1-3/16")	7	68 (2-43/64")	8	M5 x 0.80	3.5	30	50	250
H-42-C-2	109 (4-19/64")			9				100 (3-15/16")		
H-42-C-3	120 (4-23/32")	40 (1-37/64")	10	110 (4-21/64")	8	M6 x 1.00	5.0	100	30	150
H-42-C-4	130 (5-1/8")			120 (4-23/32")				105		
H-42-C-15	162 (6-3/8")	50 (1-31/32")	12	150 (5-29/32")	10	M8 x 1.25	6.0	185	20	40
H-42-C-5	200 (7-7/8")			188 (7-13/32")				220		
H-42-C-6	250 (9-27/32")			238 (9-3/8")				265		
H-42-C-7	300 (11-13/16")			288 (11-11/32")				300		

WIRE PULL



H-42-B



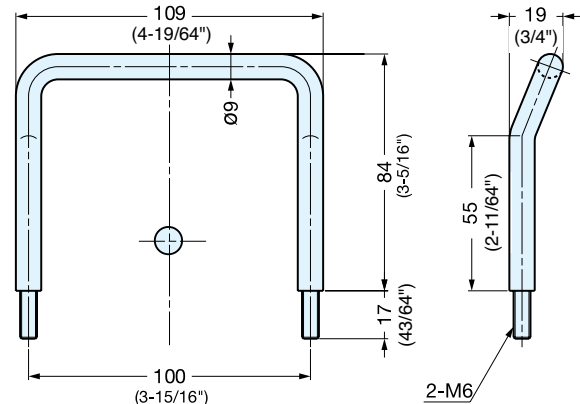
No.	Part Name	Material	Finish
①	Handle	304 Stainless Steel	Mirror
②	Washer		Polished
③	Spring Washer		Plain
④	Nut		

Item No.	L	H ₁	H ₂	B	C	R	M	Weight (g)	Box (pcs)	Carton (pcs)
H-42-B-9	46 (1-13/16")	22 (55/64")	8.5	6	40 (1-37/64")	-	M4 x 0.70	15	50	500
H-42-B-8	66 (2-19/32")		7.0		60 (2-23/64")	3.0		20		
H-42-B-14	86 (3-25/64")	30 (1-3/16")	10.0	7	80 (3-5/32")	3.5	M5 x 0.80	27	50	250
H-42-B-1	75 (2-61/64")				68 (2-43/64")			40		
H-42-B-2	109 (4-19/64")	40 (1-37/64")	11.0	9	100 (3-15/16")	4.5	M6 x 1.00	80	30	60
H-42-B-3	120 (4-23/32")				110 (4-21/64")			120		
H-42-B-4	130 (5-1/8")	50 (1-31/32")	20.0	12	120 (4-23/32")	6.0	M8 x 1.25	125	20	40
H-42-B-15	162 (6-3/8")				150 (5-29/32")			235		
H-42-B-5	200 (7-7/8")				188 (7-13/32")			270		
H-42-B-6	250 (9-27/32")				238 (9-3/8")			320		
H-42-B-7	300 (11-13/16")	288 (11-11/32")	365							

WIRE PULL



H-75-BL-100

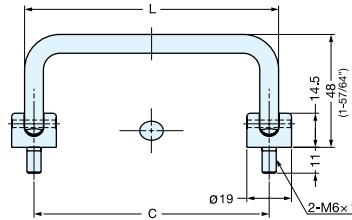


Item No.	Weight (g)	Box (pcs)	Carton (pcs)	Material	Finish
H-75-BL-100	130	80	-	304 Stainless Steel	Mirror

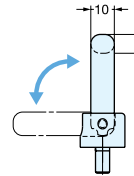
FOLDING HANDLE (STUD TYPE)



HK



- 90-degree folding handle.
- Handle clicks into open and closed position.



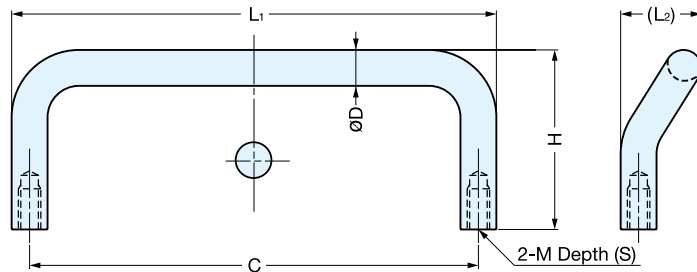
Item No.	C	L	Load Capacity (kg)	Weight (g)	Box (pcs)	Carton (pcs)
HK-80	80 (3-5/32")	88 (3-15/32")	50 (110 lbs)	125	10	100
HK-100	100 (3-15/16")	108 (4-1/4")		136		
HK-120	120 (4-23/32")	128 (5-3/64")		146		

Material	Finish
304 Stainless Steel	Mirror

HANDLE (OFFSET)



H-75-C



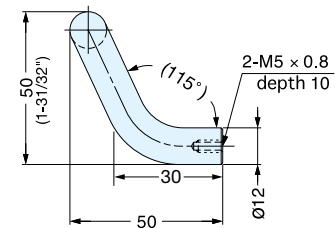
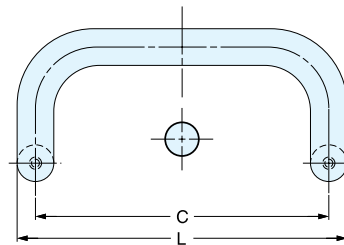
Material	Finish
304 Stainless Steel	Polished

Item No.	L ₁	(L ₂)	(S)	H	C	øD	M	Weight (g)	Box (pcs)	Carton (pcs)
H-75-C-66	66 (2-19/32")	16	7	30.0 (1-3/16")	60 (2-23/64")	6	M4	23	100	400
H-75-C-86	86 (3-25/64")			31.5 (1-15/64")	80 (3-5/32")			28		
H-75-C-108	108 (4-1/4")	18	10	32.0 (1-17/64")	100 (3-15/16")	8	M5	54	50	200
H-75-C-128	128 (5-3/64")			40.0 (1-37/64")	120 (4-23/32")			70		

HANDLE (OFFSET)



LF-12



Item No.	L	C	Weight (g)	Box (pcs)	Carton (pcs)
LF-12-96	108 (4-1/4")	96 (3-25/32")	182	10	80
LF-12-128	140 (5-33/64")	128 (5-3/64")	211		60
LF-12-160	172 (6-49/64")	160 (6-19/64")	236		

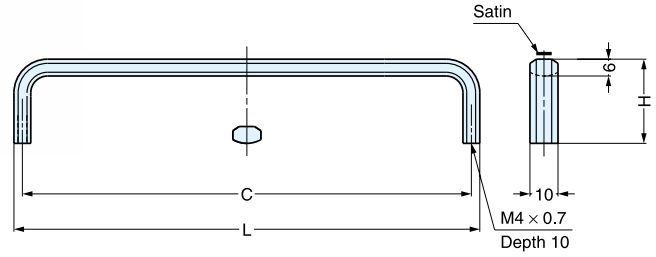
Material	Finish
304 Stainless Steel	Satin

HANDLE



XL-JS

• Ideal for harsh and highly corrosive environments.



Item No.	L	C	H	Weight (g)	Box (pcs)	Carton (pcs)
XL-JS165TT	166 (6-17/32")	160 (6-19/64")	30 (1-3/16")	81	15	150
XL-JS260TT	260 (10-15/64")	254 (10")	33 (1-19/64")	122	10	100
XL-JS360TT	358 (14-3/32")	352 (13-55/64")	36 (1-27/64")	166		

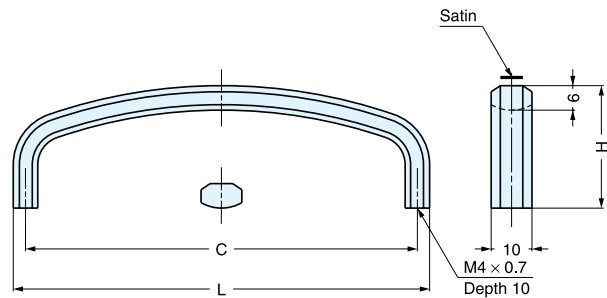
Material	Finish
316 Stainless Steel	Mirror and Satin Combination

HANDLE



XL-JSR

• Ideal for harsh and highly corrosive environments.



Item No.	L	C	H	Weight (g)	Box (pcs)	Carton (pcs)
XL-JSR40TT	38 (1-1/2")	32 (1-17/64")	27 (1-1/16")	26	30	300
XL-JSR70TT	70 (2-3/4")	64 (2-33/64")	30 (1-3/16")	35	20	200
XL-JSR100TT	102 (4-1/64")	96 (3-25/32")		51		
XL-JSR135TT	134 (5-8/32")	128 (5-1/32")		63		

Material	Finish
316 Stainless Steel	Mirror and Satin Combination

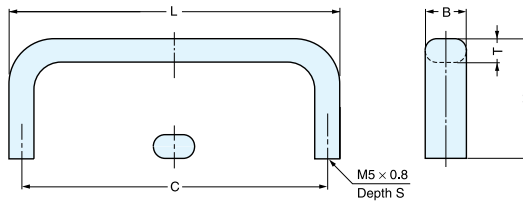
HANDLE



ECH



Satin
Mirror



• ECH-75 through ECH-250 are ROHS compliant items.

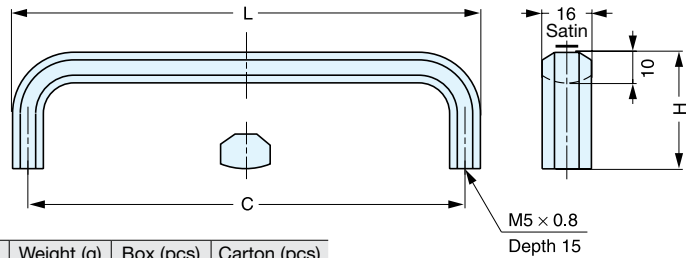
Material	Finish
303 Stainless Steel	Mirror (M)/Satin (S)

Item No.	L	C	H	B	T	S	Weight (g)	Box (pcs)	Carton (pcs)
ECH-75/M ECH-75/S	83 (3-17/64")	75 (2-61/64")	40 (1-37/64")	14	8	11	115	10	100
ECH-100/M ECH-100/S	108 (4-1/4")	100 (3-15/16")					135	15	150
ECH-125/M ECH-125/S	133 (5-15/64")	125 (4-59/64")					153	10	100
ECH-150/M	158 (6-7/32")	150 (5-29/32")	190				7	70	
ECH-200/M	208 (8-3/16")	200 (7-7/8")	50 (1-31/32")				244	10	100
ECH-250/M	258 (10-5/32")	250 (9-27/32")					280	5	50
ECH-300/M	308 (12-1/8")	300 (11-13/16")		306					

HANDLE



XL-CU



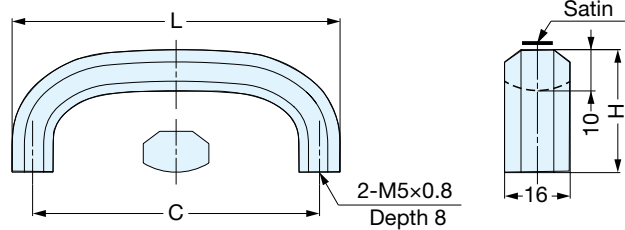
Item No.	L	C	H	Weight (g)	Box (pcs)	Carton (pcs)
XL-CU 80TT	82 (3-15/64")	72 (2-27/32")	32 (1-17/64")	112	10	100
XL-CU100TT	102 (4-1/64")	92 (3-5/8")	34 (1-11/32")	136		
XL-CU120TT	122 (4-51/64")	112 (4-13/32")	36 (1-27/64")	163		
XL-CU150TT	152 (5-63/64")	142 (5-19/32")	38 (1-1/2")	200	8	80
XL-CU180TT	182 (7-11/64")	172 (6-25/32")	40 (1-37/64")	234		
XL-CU220TT	222 (8-47/64")	212 (8-11/32")	42 (1-42/64")	282	6	40
XL-CU300TT	302 (11-57/64")	292 (11-1/2")	44 (1-47/64")	372		

Material	Finish
303 Stainless Steel	Mirror and Satin Combination

HANDLE



XL-CUR



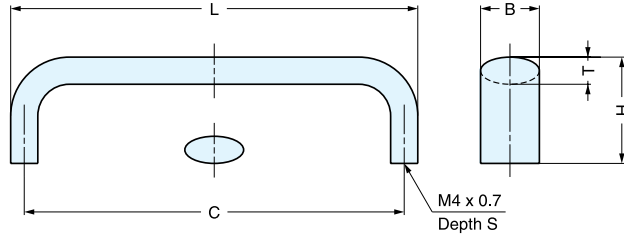
Item No.	L	C	H	Weight (g)	Box (pcs)	Carton (pcs)
XL-CUR80TT	80 (3-5/32")	70 (2-3/4")	30 (1-3/16")	101	10	150
XL-CUR100TT	100 (3-15/16")	90 (3-35/64")	32 (1-17/32")	125		100
XL-CUR120TT	120 (4-23/32")	110 (4-21/64")	34 (1-11/32")	150		75
XL-CUR150TT	150 (5-29/32")	140 (5-33/64")	36 (1-27/64")	183	5	

Material	Finish
303 Stainless Steel	Mirror and Satin Combination

HANDLE



DL



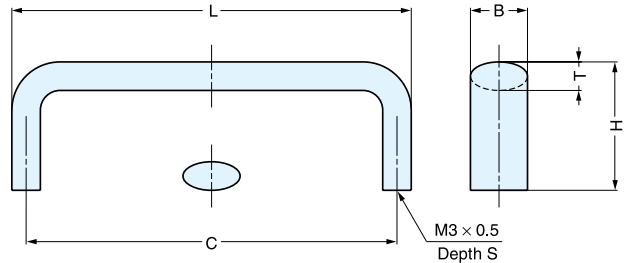
Material	Finish
303 Stainless Steel	Mirror (M)/Satin (S)

Item No.		L	C	H	B	T	S	Weight (g)	Box (pcs)	Carton (pcs)
DL-70/M	DL-70/S	70 (2-3/4")	64 (2-33/64")	23.0 (29/32")	13	6	10	44	20	200
DL-90/M	DL-90/S	90 (3-35/64")	84 (3-5/16")	23.5 (59/64")				55		
DL-110/M	DL-110/S	110 (4-21/64")	104 (4-3/32")	24.0 (61/64")				65		
DL-130/M	DL-130/S	130 (5-1/8")	124 (4-7/8")	24.5 (31/32")				75		
DL-150/M	DL-150/S	150 (5-29/32")	144 (5-43/64")	25.0 (63/64")				86		

HANDLE



DS



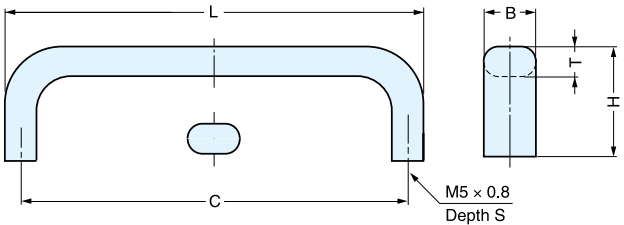
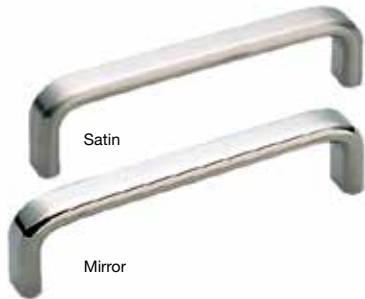
Material	Finish
303 Stainless Steel	Mirror (M)/Satin (S)

Item No.		L	C	H	B	T	S	Weight (g)	Box (pcs)	Carton (pcs)
DS-30/M	DS-30/S	30 (1-3/16")	25 (63/64")	23.0 (29/32")	10	5	8	15	40	400
DS-50/M	DS-50/S	50 (1-31/32")	45 (1-25/32")	22.0 (7/8")			22			
DS-70/M	DS-70/S	70 (2-3/4")	65 (2-9/16")	22.5 (57/64")			28			
DS-90/M	DS-90/S	90 (3-35/64")	85 (3-11/32")	23.0 (29/32")			35			

HANDLE



EC



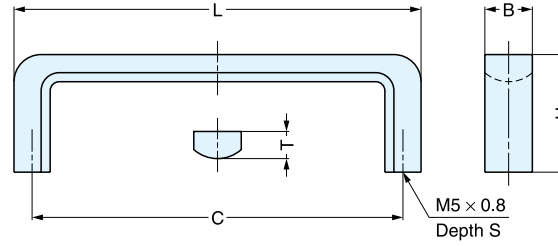
Material	Finish
303 Stainless Steel	Mirror (M)/Satin (S)

Item No.		L	C	H	B	T	S	Weight (g)	Box (pcs)	Carton (pcs)
EC-100/M	EC-100/S	100 (3-15/16")	92 (3-5/8")	32 (1-17/64")	14	8	10	102	15	150
EC-120/M	EC-120/S	120 (4-23/32")	112 (4-13/32")	34 (1-11/32")			120			
EC-150/M	EC-150/S	150 (5-29/32")	142 (5-19/32")	36 (1-27/64")			148			
EC-180/M	EC-180/S	180 (7-3/32")	172 (6-25/32")	37 (1-29/64")			174			

HANDLE



FB



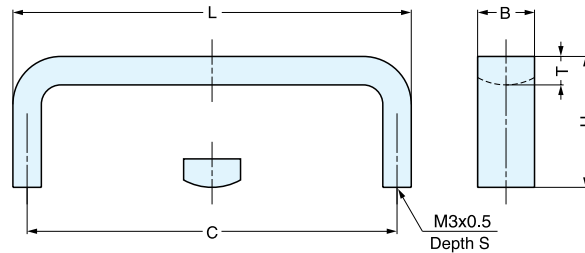
Material	Finish
304 Stainless Steel	Mirror

Item No.	L	C	H	B	T	S	Weight (g)	Box (pcs)	Carton (pcs)
FB-90	90 (3-35/64")	82 (3-7/32")	26 (1-1/32")	10.5	6	10	45	35	280
FB-110	110 (4-21/64")	102 (4-1/64")	28 (1-7/64")	12.5	7	12	60	25	200
FB-130	130 (5-1/8")	120 (4-23/32")	32 (1-17/64")	14.5	8	14	93	20	160

HANDLE



KB



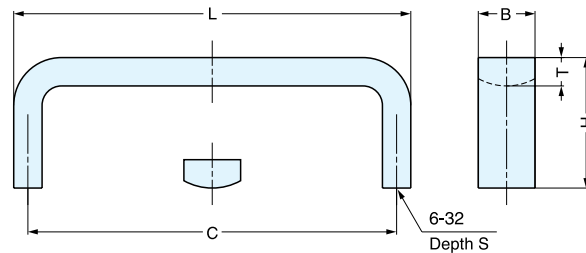
Material	Finish
303 Stainless Steel	Mirror (M)/Satin (S)

Item No.	L	C	H	B	T	S	Weight (g)	Box (pcs)	Carton (pcs)	
KB-30/M	KB-30/S	30 (1-3/16")	25 (63/64")	23.0 (29/32")	10	5	8	18	40	400
KB-50/M	KB-50/S	50 (1-31/32")	45 (1-25/32")	22.0 (7/8")			10	26	30	300
KB-70/M	KB-70/S	70 (2-3/4")	65 (2-9/16")	22.5 (57/64")			10	33	20	200
KB-90/M	KB-90/S	90 (3-35/64")	85 (3-11/32")	23.0 (29/32")			40			

HANDLE



KS



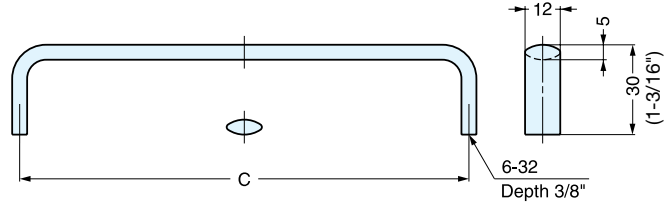
Material	Finish
304 Stainless Steel	Mirror (M)/Satin (S)

Item No.	L	C	H	B	T	S	Weight (g)	Box (pcs)	Carton (pcs)	
KS-430/M	KS-430/S	81 (3-3/16")	76 (3")	23 (29/32")	10	5	9	45	20	200
KS-435/M	KS-435/S	94 (3-45/64")	89 (3-1/2")				9	48		
KS-440/M	KS-440/S	106 (4-11/64")	102 (4")				9	54		

HANDLE



• Ideal for harsh and highly corrosive environments.



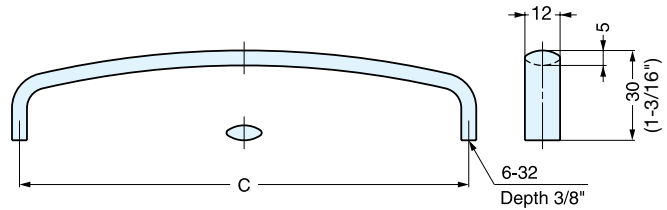
Item No.	C	Weight (g)	Box (pcs)	Carton (pcs)
KC-S635/M KC-S635/S	88.9 (3-1/2")	67	20	200
KC-S640/M KC-S640/S	101.6 (4")	71		
KC-S650/M KC-S650/S	127.0 (5")	85		
KC-S660/M KC-S660/S	152.4 (6")	95		

Material	Finish
316 Stainless Steel	Mirror (M)/Satin (S)

HANDLE



• Ideal for harsh and highly corrosive environments.



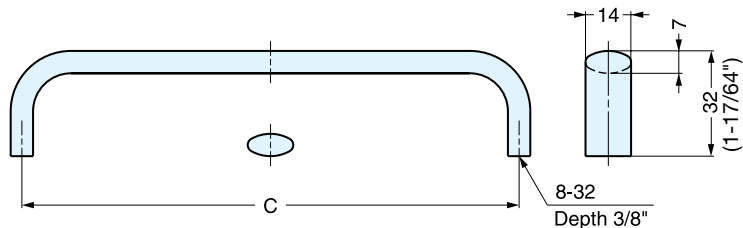
Item No.	C	Weight (g)	Box (pcs)	Carton (pcs)
KC-R635/M KC-R635/S	88.9 (3-1/2")	60	20	200
KC-R640/M KC-R640/S	101.6 (4")	67		
KC-R650/M KC-R650/S	127.0 (5")	78		
KC-R660/M KC-R660/S	152.4 (6")	88		

Material	Finish
316 Stainless Steel	Mirror (M)/Satin (S)

HANDLE



• Ideal for harsh and highly corrosive environments.



Item No.	C	Weight (g)	Box (pcs)	Carton (pcs)
EK-S635/M EK-S635/S	88.9 (3-1/2")	90	20	200
EK-S640/M EK-S640/S	101.6 (4")	91		
EK-S650/M EK-S650/S	127.0 (5")	113		
EK-S660/M EK-S660/S	152.4 (6")	122		

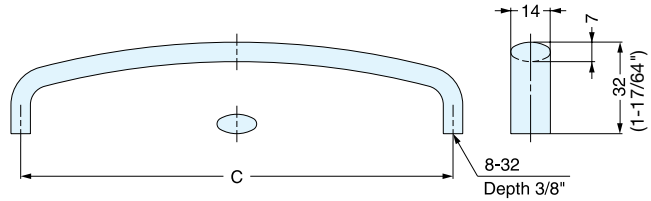
Material	Finish
316 Stainless Steel	Mirror (M)/Satin (S)

HANDLE



EK-R

• Ideal for harsh and highly corrosive environments.

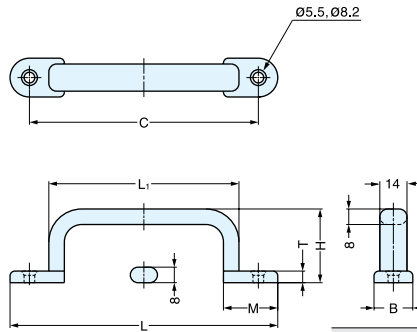


Item No.	C	Weight (g)	Box (pcs)	Carton (pcs)	Material	Finish
EK-R635/M EK-R635/S	88.9 (3-1/2")	95	20	200	316 Stainless Steel	Mirror (M)/Satin (S)
EK-R640/M EK-R640/S	101.6 (4")	106				
EK-R650/M EK-R650/S	127.0 (5")	123				
EK-R660/M EK-R660/S	152.4 (6")	141				

HANDLE



EC-Y



Material	Finish
303 Stainless Steel	Mirror

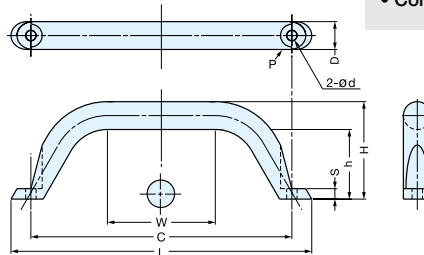
Item No.	L	L1	C	B	H	T	M	Weight (g)	Box (pcs)	Carton (pcs)
EC-Y-140	138	100 (3-15/16")	120 (4-23/32")	20 (51/64")	38 (1-1/2")	6	28	142	5	50
EC-Y-160	158	120 (4-23/32")	140 (5-33/64")		40 (1-37/64")			160	3	30
EC-Y-190	188	150 (5-29/32")	170 (6-11/16")		42 (1-42/64")			185	2	20

HANDLE



MG

• Ideal for harsh and high corrosive environments.
• Compliant with SEMI S8-0701 guideline.



Material	Finish
316 Stainless Steel	Mirror

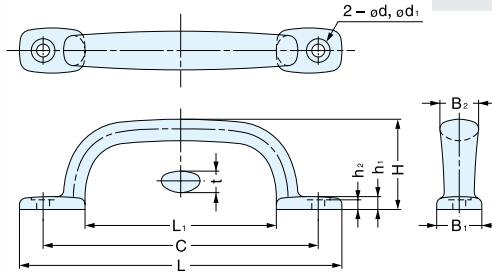
Item No.	D	C	L	P	W	H	h	S	ød	Weight (g)	Box (pcs)	Carton (pcs)	Recommended Screw
MG-150	16	150 (5-29/32")	172.8 (6-51/64")	R6.5	62	56 (2-13/64")	40	6	6	295	10	40	M5
MG-190	18	190 (7-31/64")	216.7 (8-17/32")	R7.5	92	63 (2-31/64")	45	8	7	460	5	20	M6
MG-250		250 (9-27/32")	275.5 (10-27/32")		145	68 (2-43/64")	595						
MG-230T	20	230 (9-1/16")	260.0 (10-15/64")	R9.0	129	70 (2-3/4")	50	10	9	666			20
MG-300T		300 (11-13/16")	330.0 (12-63/64")		199					838			

HANDLE



2LC

• Ideal for harsh and highly corrosive environments.



Material	Finish
316 Stainless Steel	Mirror

Item No.	L	L ₁	C	B ₁	B ₂	H	h ₁	h ₂	t	d	d ₁	Weight (g)	Box (pcs)	Carton (pcs)	Screw
2LC-80	80 (3-5/32")	32	64 (2-33/64")	16	14	35 (1-3/8")	5.5	4.0	8	5	9.5	70	12	144	4 x 20
2LC-120	120 (4-23/32")	64	96 (3-25/32")	18	16	36 (1-27/64")		4.5	9			106	8	96	
2LC-150	150 (5-29/32")	89	128 (5-1/32")	21	18	42 (1-42/64")	6.0	6.0	10	6	11.0	172	6	72	5 x 32
2LC-180	180 (7-3/32")	118	160 (7-3/32")	23	20	45 (1-49/64")						6.5	5.0	225	

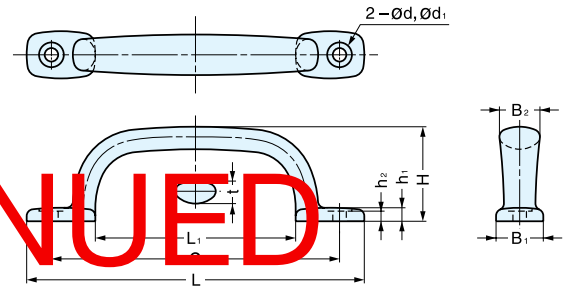
HANDLE (TITANIUM)



2LC-TI



****DISCONTINUED**



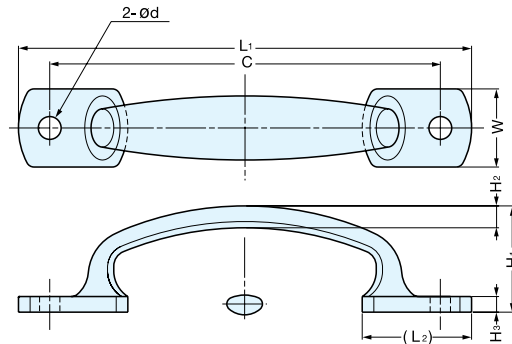
Material	Finish
Titanium	Shotblast

Item No.	L	L ₁	C	B ₁	B ₂	H	h ₁	h ₂	t	d	d ₁	Weight (g)	Box (pcs)	Carton (pcs)
2LC-80Ti	80 (3-5/32")	32	64 (2-33/64")	16	14	35 (1-3/8")	5.5	4.0	8	5	9.5	37	30	180
2LC-120Ti	120 (4-23/32")	64	96 (3-25/32")	18	16	36 (1-27/64")		4.5	9			62	20	120
2LC-150Ti	150 (5-29/32")	89	128 (5-1/32")	21	18	42 (1-42/64")	6.0	6.0	10	6	11.0	96	15	90

HANDLE



3LC



Item No.	L ₁	L ₂	W	H ₁	H ₂	H ₃	C	d	Weight (g)	Box (pcs)	Carton (pcs)
3LC-120	120 (4-23/32")	29	20	30 (1-3/16")	6	5	105 (4-9/64")	5.5	90	100	500
3LC-130	130 (5-1/8")	30	22	33 (1-19/64")	7	6	115 (4-17/32")		120		
3LC-145	145 (5-45/64")	35	25	34 (1-11/32")			6.5	155	80	400	

Material	Finish
316 Stainless Steel	Mirror

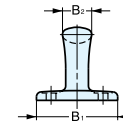
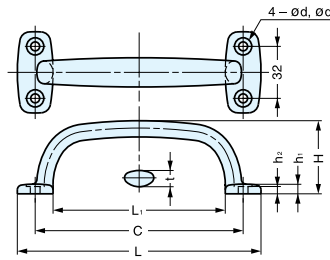
HANDLE



4LC



• Ideal for harsh and highly corrosive environments.



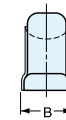
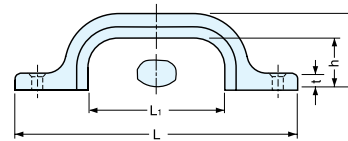
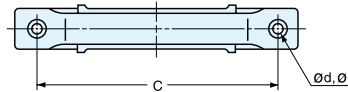
Material	Finish
316 Stainless Steel	Mirror

Item No.	L	L1	C	B1	B2	H	h1	h2	t	d	d1	Weight (g)	Box (pcs)	Carton (pcs)	Screw
4LC-82	82 (3-15/64")	46	64 (2-33/64")	48	16	36.5 (1-7/16")	5.5	4.0	8	5	9.5	110	8	96	4 x 20
4LC-114	114 (4-31/64")	78	96 (3-25/32")			40.0 (1-37/64")	6.0	4.5	9			148	6	72	
4LC-150	150 (5-29/32")	106	128 (5-1/32")	50	18	45.0 (1-49/64")			10	6	11.0	210	3	36	5 x 32
4LC-180	180 (7-3/32")	140	160 (6-19/64")		20	48.0 (1-57/64")	6.5	5.0				270	2	24	

HANDLE



US



• Rubber grip allows for an easy and comfortable grip.
• Light weight design.

* Grip - Black/Synthetic Rubber

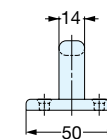
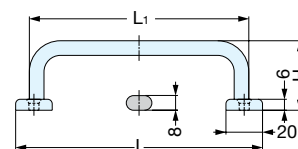
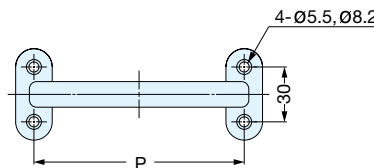
Material	Finish
304 Stainless Steel	Mirror (M)/Satin (S)

Item No.	L	L1	C	B	H	h	t	d	d1	Weight (g)	Box (pcs)	Carton (pcs)	Screw	
US-70/M	US-70/S	70 (2-3/4")	20	54 (2-1/8")	17	28.0 (1-7/64")	21	5.5	3.3	6.6	20	20	200	3.1x16
US-120/M	US-120/S	120 (4-23/32")	57	102 (4-1/64")	19	32.0 (1-17/64")		6.5	3.8	7.6	45		3.5x20	
US-160/M	US-160/S	160 (6-19/64")	88	140 (5-33/64")	22	37.5 (1-15/32")	23	7.5	4.1	8.1	70	10	100	4.1x25

HANDLE



EC-H



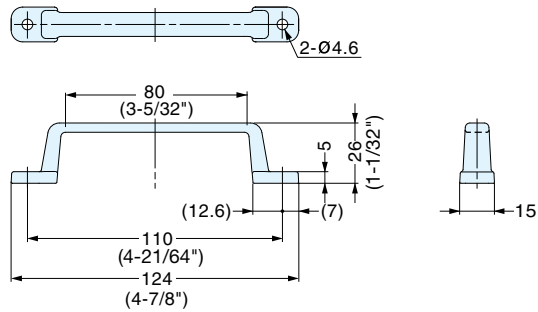
Material	Finish
303 Stainless Steel	Mirror

Item No.	L	L1	C	H	Weight (g)	Box (pcs)	Carton (pcs)	Screw
EC-H-135	135 (5-5/16")	120 (4-23/32")	115 (4-17/32")	40 (1-37/64")	191	5	50	3.1x16
EC-H-165	165 (6-1/2")	150 (5-29/32")	145 (5-45/64")	42 (1-21/32")	216	3	30	3.5x20

HANDLE



FT-110S

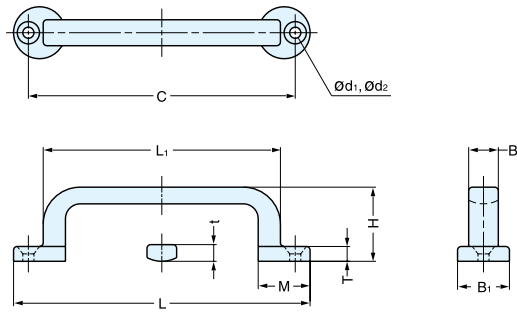


Item No.	Weight (g)	Box (pcs)	Carton (pcs)	Material	Finish
FT-110S	60	50	200	304 Stainless Steel	Satin

HANDLE



FT-65, 80, 100



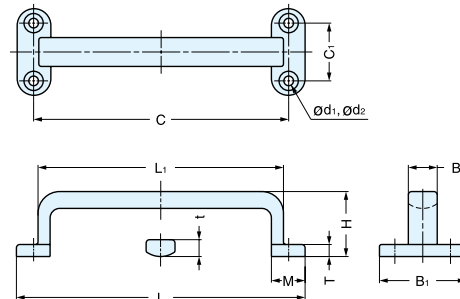
Material	Finish
304 Stainless Steel	Mirror

Item No.	L	L1	C	B1	B2	H	T	t	M	d1	d2	Weight (g)	Box (pcs)	Carton (pcs)	Screw
FT-65	65	47	57 (2-1/4")	13	7	16 (5/8")	3.5	4.0	13	3.3	6.4	19	40	480	3.1x16
FT-80	80	61	72 (2-27/32")	14	8	20 (25/32")	4.0	4.5	14		6.4	32	30	360	
FT-100	100	75	88 (3 -15/32")	18	10	25 (63/64")	5.0	5.5	18	4.1	8.0	58	20	240	3.8x20

HANDLE



FT-120, 150



Material	Finish
304 Stainless Steel	Mirror

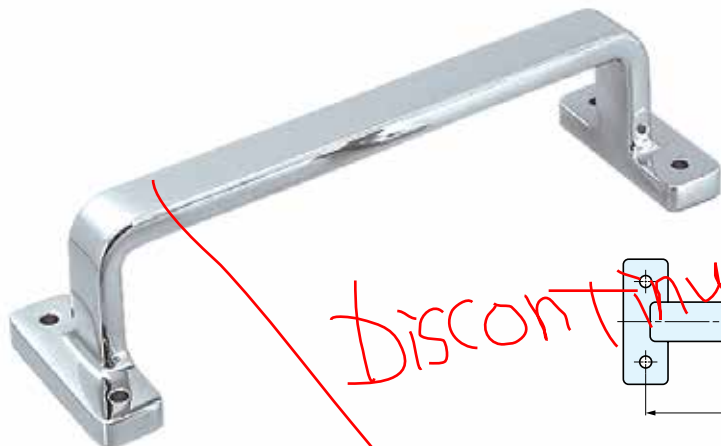
Item No.	L	L1	C	C1	B1	B2	H	T	t	M	d1	d2	Weight (g)	Box (pcs)	Carton (pcs)	Screw
FT-120	120 (4-23/32")	102 (4-1/64")	106 (4-11/64")	24	36	12	27 (1-1/16")	5	7	14	4.1	8.0	105	10	120	3.8x20
FT-150	150 (5-29/32")	129 (5-5/64")	132 (5-3/16")	30	45	15	33 (1-19/64")	6	8	18	5.3	10.4	191	5	40	5.1x25

LARGE HANDLE

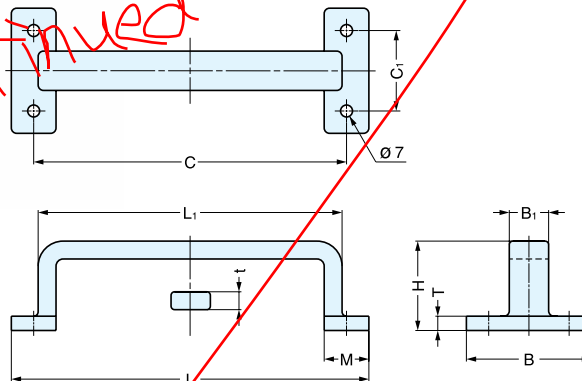


FT-200, 280

- Ideal for harsh and highly corrosive environments.
- High profile allows for easy gripping with gloved hand.



Discontinued



Material	Finish
316 Stainless Steel	Mirror

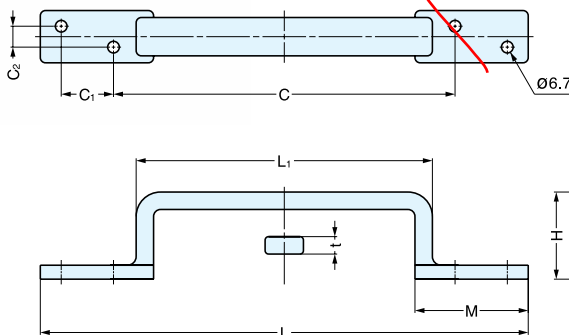
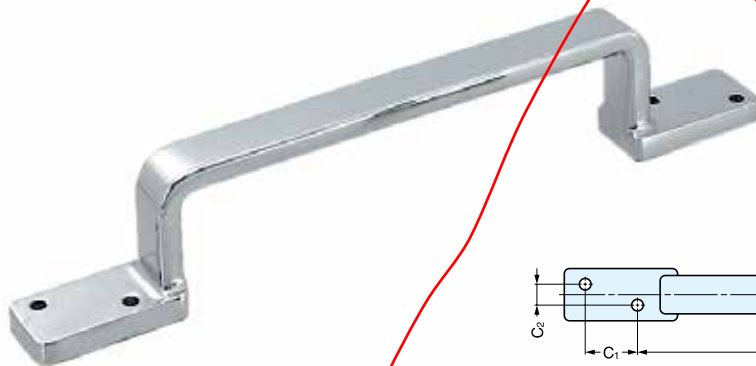
Item No.	L	L ₁	C	C ₁	B ₁	B	H	T	t	M	Weight (g)	Box (pcs)	Carton (pcs)
FT-200	200 (7-7/8")	170 (6-11/16")	175 (6-57/64")	45	22	70	50 (1-31/32")	8	10	25	586	1	20
FT-280	280 (11-1/32")	250 (9-27/32")	253 (9-31/32")	55	26	80	62 (2-7/16")	10	12	27	1088		10

LARGE HANDLE



FT-S280, 370

- Ideal for harsh and highly corrosive environments.
- High profile allows for easy gripping with gloved hand.



Material	Finish
316 Stainless Steel	Mirror

Item No.	L	L ₁	B	B ₁	H	T	t	M	C	C ₁	C ₂	Weight (g)	Box (pcs)	Carton (pcs)
FT-S280	280 (11-1/32")	170 (6-11/16")	30	22	50 (1-31/32")	8	10	65	196 (7-23/32")	30	12	612	1	20
FT-S370	370 (14-9/16")	250 (9-27/32")	36	26	62 (2-7/16")	10	12	72	277 (10-29/32")	35	18	1154		10

HANDLE

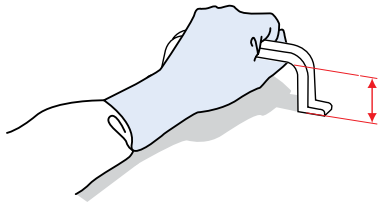


MH-P120

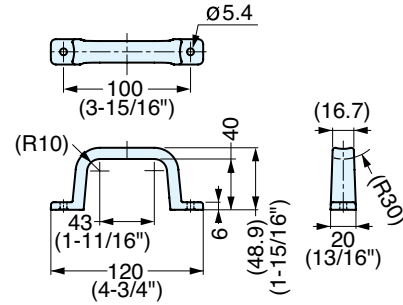


MH-P120

Wide clearance makes it easier to use with gloves



- Made with PVC material:
 - Ideal for semiconductor, manufacturing machinery and transparent applications.
 - Weather proof, chemical proof
- High profile allows for handle to be easily grasped with gloved hands.
- Environmentally friendly PVC, lead-free.
- Compliant with SEMI S8-0308 guideline.
- Requires two 3/16" (5 mm) diameter screws for installation. Screws not included.



Item No.	Weight (g)	Box (pcs)	Carton	Material	Finish
MH-P120	34	64	640	Polyvinyl Chloride (PVC)	Clear

HANDLE

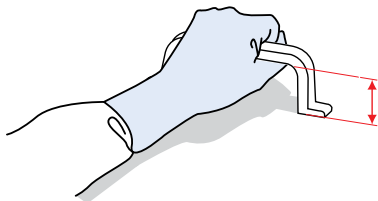


MH-P170

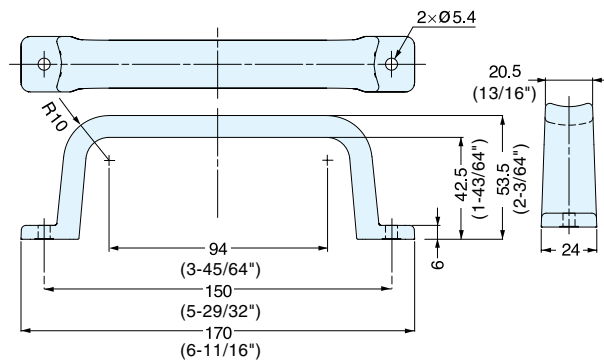


MH-P170

Wide clearance makes it easier to use with gloves



- Made with PVC material:
 - Ideal for semiconductor, manufacturing machinery and transparent applications.
 - Weather proof, chemical proof
- High profile allows for handle to be easily grasped with gloved hands.
- Environmentally friendly PVC, Lead-free.
- Compliant with SEMI S8-0308 guideline.
- Requires two 3/16" (5 mm) diameter screws for installation. Screws not included.



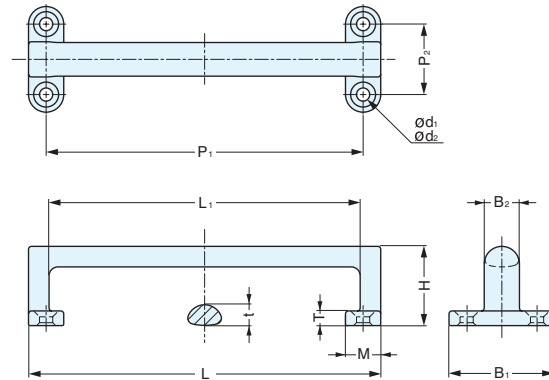
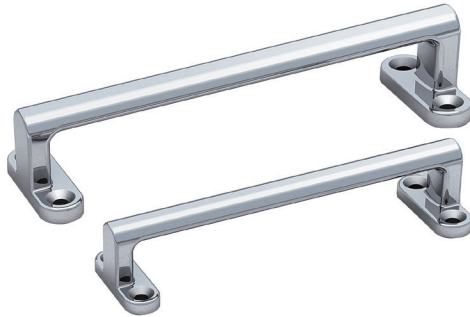
Item No.	Weight (g)	Box (pcs)	Carton (pcs)	Material	Finish
MH-P170	56	48	480	Polyvinyl Chloride (PVC)	Clear

HANDLE



FT-R

- A rounded handle for a comfortable grip.
- Wide grip.



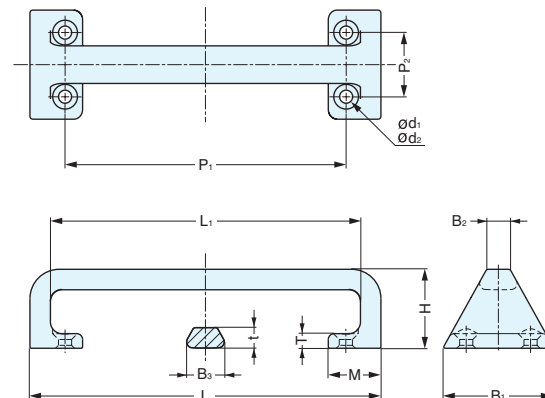
Item No.	L	L1	B1	B2	H	T	t	M	P1	P2	d1	d2	Weight (g)	Material	Finish
FT-R-120	120 (4-23/32")	106	36 (15/32")	12	27	5.0	7	12	108 (4-1/4")	24	4.5	8.5	140	304 Stainless Steel	Mirror
FT-R-160	160 (6-19/64")	142	48 (1-57/64")	16	36	6.5	9	16	144 (5-43/64")	32	5.5	10.5	285	304 Stainless Steel	Mirror

HANDLE



FT-T

- Ergonomically designed handle for a comfortable grip.
- Wide grip.

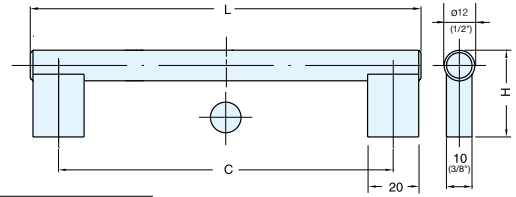


Item No.	L	L1	B1	B2	B3	H	T	t	M	P1	P2	d1	d2	Weight (g)	Material	Finish
FT-T-120	120 (4-23/32")	105	40	10	15	28.5	5.5	7.5	19.0	96 (3-25/32")	24	4.5	8.5	225	316 Stainless Steel	Mirror
FT-T-170	170 (6-11/16")	150	54	12	19	38.0	7.0	10.0	25.5	135 (5-5/16")	32	5.5	10.5	500	316 Stainless Steel	Mirror
FT-T-220	220 (8-21/32")	200	69.3	15	24.3	49.5	9.3	13.0	32.5	176 (6-59/64")	41	6.5	12.5	1000	316 Stainless Steel	Mirror

HANDLE



16 SERIES



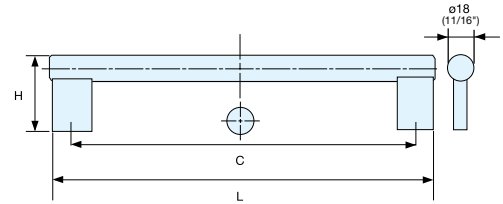
Item No.	L	C	H	Weight (g)	Box (pcs)	Carton (pcs)
1646	118 (4-41/64")	96 (3-25/32")	34 (1-11/32")	62	25	250
1647	150 (5-29/32")	128 (5-3/64")		70		
1648	182 (7-11/64")	160 (6-19/64")		85		
1650	214 (8-23/64")	192 (7-9/16")		94		
1651	314 (12-23/64")	292 (11-1/2")		121		
1652	342 (13-15/32")	320 (12-19/32")		128		
1653	364 (14-21/64")	342 (13-15/31")		134		
1654	414 (16-19/64")	392 (15-7/16")		148		
1655	514 (20-15/64")	492 (19-3/8")		175		
1656	614 (24-11/64")	592 (23-5/16")		202		

Material	Finish
304 Stainless Steel	Satin

HANDLE



27 SERIES



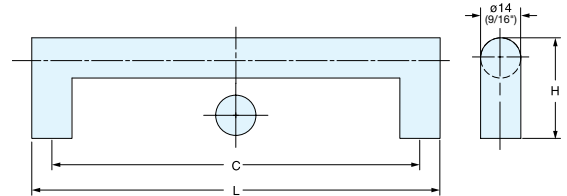
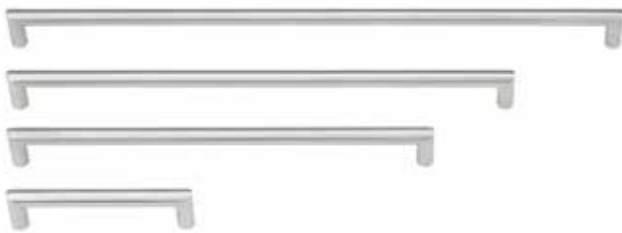
Item No.	L	C	H	Weight (g)	Box (pcs)	Carton (pcs)
27096	128 (5-3/64")	96 (3-25/32")	44 (1-47/64")	140	15	150
27128	160 (6-19/64")	128 (5-3/64")		152		
27160	192 (7-9/16")	160 (6-19/64")		170		
27192	224 (8-13/16")	192 (7-9/16")		183		
27292** DISCONTINUED	314 (12-23/64")	292 (11-7/16")		225		
27320** DISCONTINUED	342 (13-15/32")	320 (12-9/16")		237		
27342** DISCONTINUED	374 (14-21/64")	342 (13-15/32")		245		
27392** DISCONTINUED	414 (16-19/64")	392 (15-7/16")		267		
27492	524 (20-5/8")	492 (19-3/8")		309		
27592	624 (24-9/16")	592 (23-5/16")		351		

Material	Finish
304 Stainless Steel	Satin

HANDLE



DIH



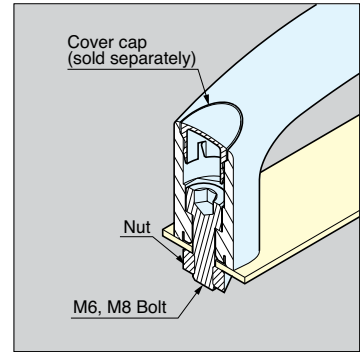
Item No.	L	C	H	Weight (g)	Box (pcs)	Carton (pcs)
DIH-096	110 (4-21/64")	96 (3-25/32")	35 (1-3/8")	57	25	250
DIH-128	142 (5-19/32")	128 (5-3/64")		66		
DIH-192	206 (8-7/64")	192 (7-9/16")		83		
DIH-342	356 (14-1/64")	342 (13-15/32")		123		
DIH-492	506 (19-59/64")	492 (19-3/8")		163		
DIH-592	606 (23-55/64")	592 (23-5/16")		189		

Material	Finish
304 Stainless Steel	Satin

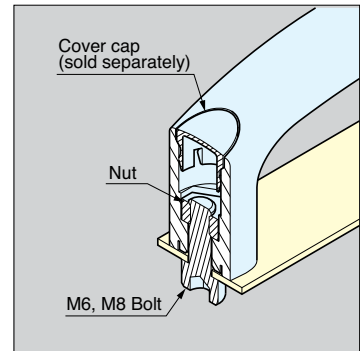
HANDLE



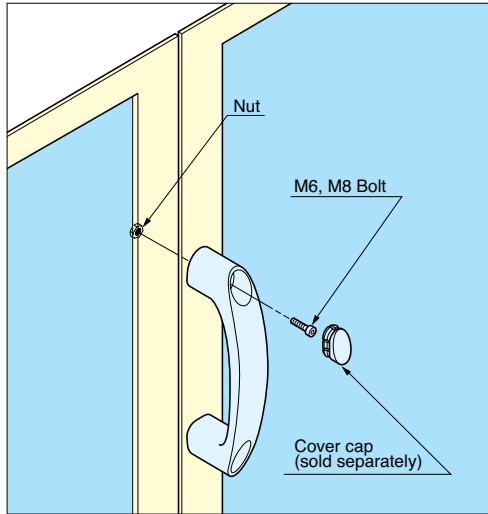
MJH



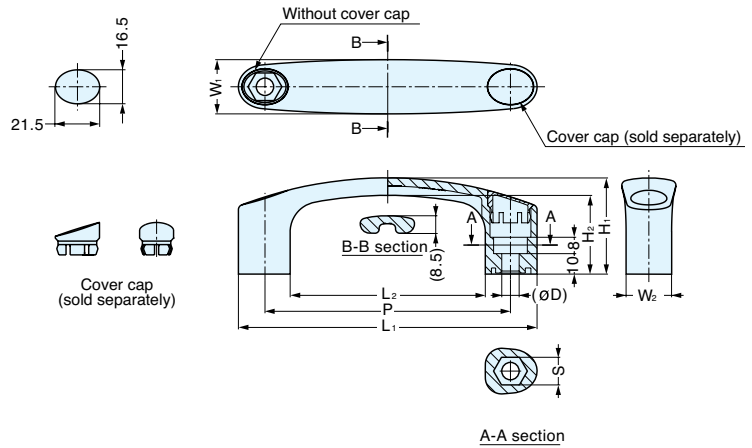
Surface Mount



Back Mount



Installation



Item No.	Material	Color	Weight (g)
MJHC-BL	Polyamide	Black	1.4
MJHC-GR		Gray	
MJHC-YE		Yellow	

Item No.	Load Capacity (kgf)	Material	Finish	P	L1	L2	D	S	H1	H2	W1	W2	Weight (g)
MJH-93	46 (101lbs)	Polyamide	Black	93 (3-21/32")	119 (4-11/16")	67	6.5	10.2	42 (1-21/32")	33.5	25.0	21.3	162
MJH-120				120 (4-23/32")	146 (5-3/4 ")	94	8.5	13.2	47 (1-27/32")	38.5	26.5	22.4	180
MJH-150				150 (5-29/32")	176 (6-59/64")	124	8.5	13.2	52 (2-3/64")	43.5	28.0	22.5	206

HANDLE



KMH

HANDLES, PULLS & KNOBS

HANDLES



KMH-150

KMH-120

KMH-100

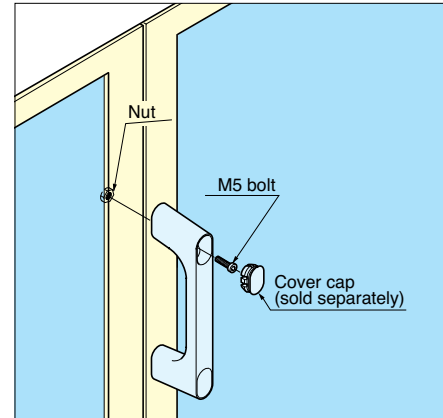


KMHC-WT

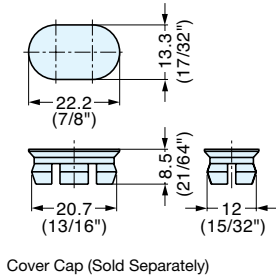
KMHC-GR

KMHC-BU

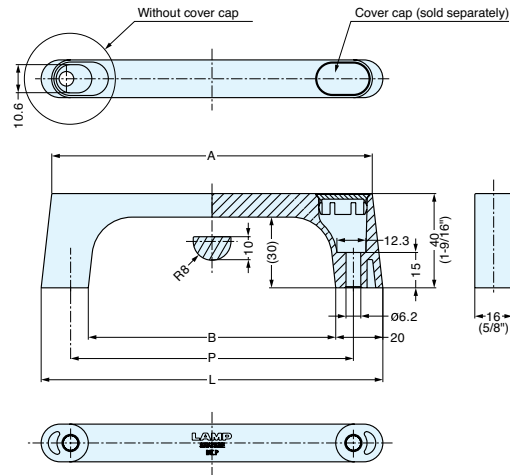
KMHC-BL



Installation



Cover Cap (Sold Separately)



COVER CAP

Item No.	Material	Finish	Weight (g)
KMHC-WT	PBT	White	0.7
KMHC-GR		Grey	
KMHC-BU		Light Blue	
KMHC-BL		Black	

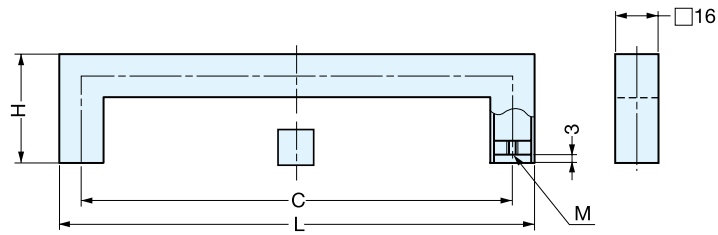
HANDLE

Item No.	Load Capacity (kgf)	Material	Finish	L	A	B	P	Weight (g)
KMH-100	51 (112 lbs)	Zinc Alloy	Satin Chrome	125 (4-59/64")	116	85	100 (3-15/16")	162
KMH-120				145 (5-45/64")	136	105	120 (4-23/32")	180
KMH-150				175 (6-57/64")	166	135	150 (5-29/32")	206

HANDLE



KPH



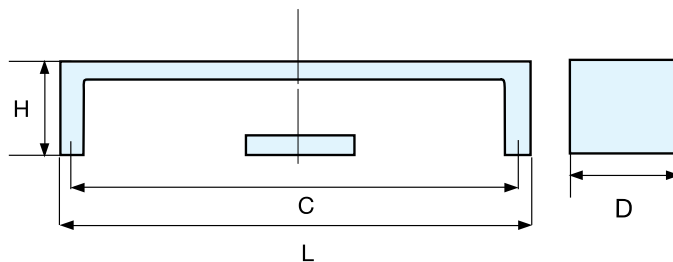
Item No.	L	C	H	M	Weight (g)	Box (pcs)	Carton (pcs)
KPH-160	176 (6-59/64")	160 (6-19/64")	40 (1-37/64")	M4x0.7	100	10	100
KPH-192	208 (8-3/16")	192 (7-9/16")			115		
KPH-224	240 (9-29/64")	224 (8-13/16")			130		
KPH-256	272 (10-45/64")	256 (10-5/64")	50 (1-31/32")	M5x0.8	143		
KPH-288	304 (11-31/32")	288 (11-11/32")			160		

Material	Finish
304 Stainless Steel	Satin

HANDLE



40 SERIES



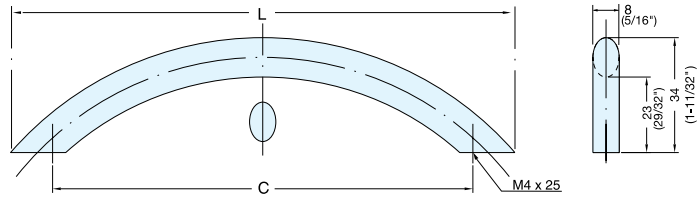
Item No.	L	C	H	D	Weight (g)	Box (pcs)	Carton (pcs)
40128	138 (7-1/64")	128 (5-1/32")	35 (1-3/8")	40 (1-37/64")	166	10	40
40160	170 (6-11/16")	160 (6-19/64")			198		
40192	202 (7-61/64")	192 (7-9/16")			219		

Material	Finish
304 Stainless Steel	Satin

HANDLE



30 SERIES



Item No.	L	C	Weight (g)	Box (pcs)	Carton (pcs)
3096	118 (4-41/64")	96 (3-25/32")	72	25	250
3097	151 (5-15/16")	128 (5-1/32")	90		
3098	189 (7-7/16")	160 (6-19/64")	108		
3099	224 (8-13/16")	192 (7-9/16")	128		

Material	Finish
304 Stainless Steel	Satin

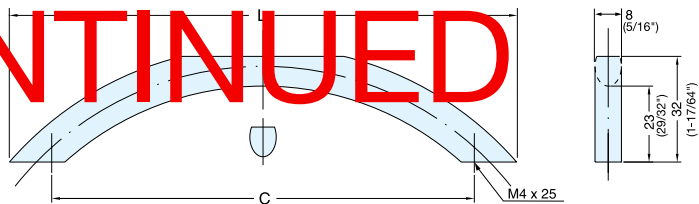
HANDLE



50 SERIES



****DISCONTINUED**



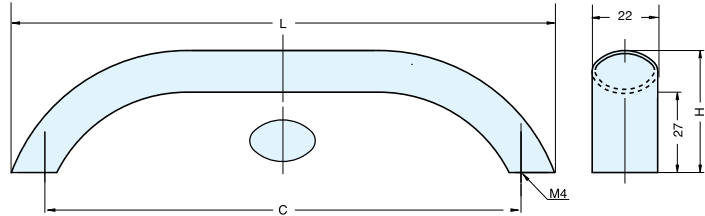
Item No.	L	C	Weight (g)	Box (pcs)	Carton (pcs)
5010	118 (4-41/64")	96 (3-25/32")	69	25	250
5011	151 (5-15/16")	128 (5-1/32")	86		
5012	189 (7-7/16")	160 (6-19/64")	103		
5013	224 (8-13/16")	192 (7-9/16")	122		

Material	Finish
304 Stainless Steel	Satin

HANDLE



82 SERIES



Item No.	L	C	H	Weight (g)	Box (pcs)	Carton (pcs)
8261	182 (7-11/64")	160 (6-19/64")	41 (1-39/64")	166	25	250
8262	214 (8-27-64")	192 (7-9/16")		179		
8263	246 (9-11/16")	224 (8-13/16")		192		
8264	342 (13-15/32")	320 (12-19/32")		231		

Material	Finish
304 Stainless Steel	Satin
Aluminum	Anodized

HANDLES, PULLS & KNOBS

HANDLES

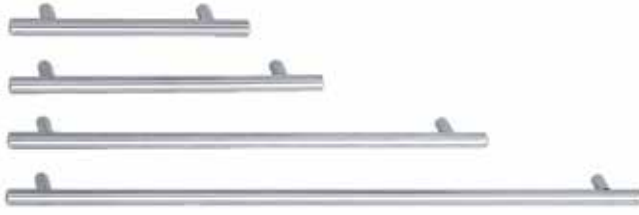


**HIGH-QUALITY
STAINLESS STEEL,
ALUMINUM, & MORE**

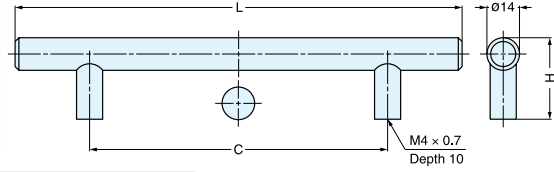
HANDLE



26 SERIES



• Handles 2647 through 2659 are NSF approved handles.



*2658 and 2659 has center post in the middle.

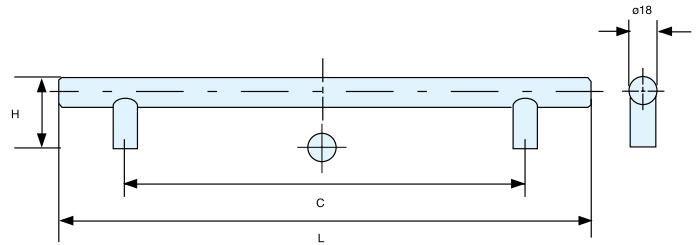
Item No.	L	C	H	Weight (g)	Box (pcs)	Carton (pcs)
2646	160 (6-19/64")	96 (3-25/32")	35 (1-3/8")	107	25	250
2647	192 (7-9/16")	128 (5-1/32")		113		
2650	256 (10-5/64")	192 (7-9/16")		136		
2653	406 (15-63/64")	342 (13-15/32")		187		
2655	556 (21-57/64")	492 (19-3/8")		216		
2656	656 (25-53/64")	592 (23-5/16")		324		
2658	1220 (48-1/32")	1156 (45-33/64")		547		
2659	1456 (57-21/64")	1392 (54-13/16")		570		

Material	Finish
304 Stainless Steel	Satin

HANDLE



28 SERIES



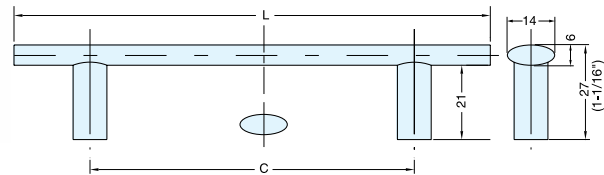
Item No.	L	C	H	Weight (g)	Box (pcs)	Carton (pcs)
28096	160 (6-19/64")	96 (3-25/32")	47 (1-27/32")	155	15	150
28128	192 (7-9/16")	128 (5-1/32")		166		
28192	256 (10-5/64")	192 (7-9/16")		190		
28342	406 (15-63/64")	342 (13-15/32")		350		
28492	556 (21-57/64")	492 (19-3/8")		322		
28592	656 (25-53/64")	592 (23-5/16")		381		
281192	1220 (48-1/32")	1192 (46-59/64")		627		
281392	1456 (57-21/64")	1392 (54-51/64")		714		

Material	Finish
304 Stainless Steel	Satin

HANDLE



70 SERIES



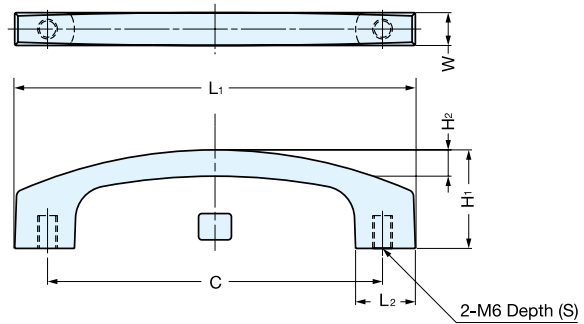
Item No.	L	C	Weight (g)	Box (pcs)	Carton (pcs)
7013	160 (6-19/64")	96 (3-25/32")	121	25	250
7014	192 (7-9/16")	128 (5-1/32")	139		
7015	224 (8-13/16")	160 (6-19/64")	157		
7016	256 (10-5/64")	192 (7-9/16")	174		
7017	288 (11-11/32")	224 (8-13/16")	192		
7018	320 (12-19/32")	256 (10-5/64")	210		
7020	384 (15-1/8")	320 (12-19/32")	246		

Material	Finish
304 Stainless Steel	Satin

HANDLE



SAZ

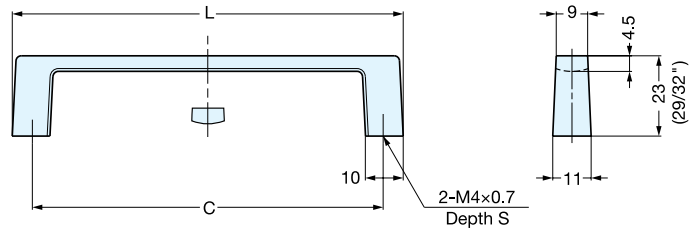


Item No.	L ₁	L ₂	C	S	W	H ₁	H ₂	Weight (g)	Box (pcs)	Carton (pcs)	Material	Finish
SAZ-121	121 (4-49/64")	17.5	102 (4-1/64")	9	10	28 (1-3/32")	5	85	40	400	Zinc Alloy	Chrome

HANDLE



936 SERIES

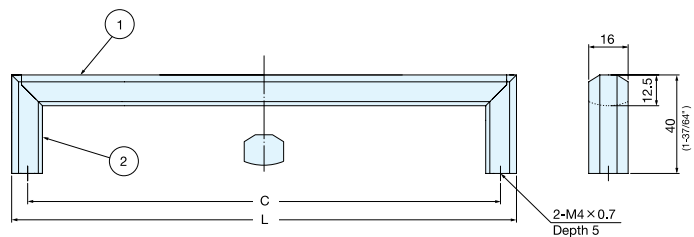


Item No.	L	C	S	Weight (g)	Box (pcs)	Carton (pcs)	Screw	Material	Finish
936-55-SCR	66.5 (2-5/8")	55.0 (2-11/64")	8	40	50	200	M4x25	Zinc Alloy	Satin Chrome (SCR)
936-100-DC	112.0 (4-13/32")	100.5 (3-61/64")	10	52			M4x28		Dull Chrome (DC)

HANDLE



XLA-HA



Item No.	L	C	Weight (g)	Box (pcs)	Carton (pcs)
XLA-HA96	109 (4-19/64")	96 (3-25/32")	132	20	80
XLA-HA128	141 (5-35/64")	128 (5-1/32")	142		
XLA-HA192	205 (8-5/64")	192 (7-9/16")	144		
XLA-HA256	269 (10-19/32")	256 (10-5/64")	180	10	60
XLA-HA320	333 (13-7/64")	320 (12-19/32")	200		

No.	Part Name	Material	Finish
①	Body	Aluminum Alloy	Anodized
②	Leg	Zinc Alloy	Matte Silver

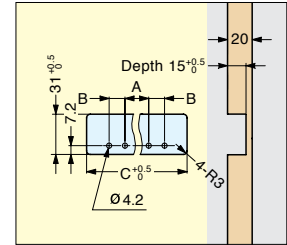
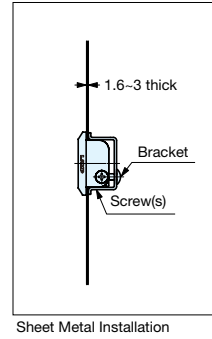
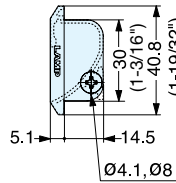
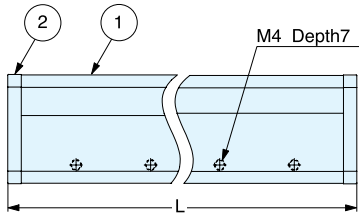
RECESSED PULL



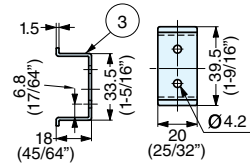
XLA-HH



- Light weight design.
- Bracket for sheet metal available. Item No.: XLA-HH40B



Wood Cut Out Dimensions



Item No.	L	Weight (g)	Box (pcs)	Carton (pcs)
XLA-HH300	300 (11-13/16")	140	10	100
XLA-HH600	600 (23-5/8")	247	5	50
XLA-HH40B	-	-	-	-

No.	Material	Finish
①	Aluminum	Anodized
②	Zinc Alloy	Chrome
③	430 Stainless Steel	Polished

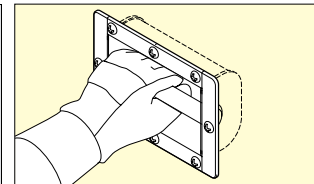
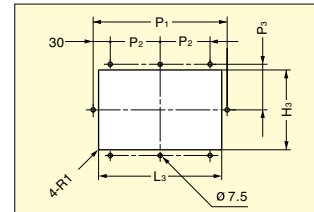
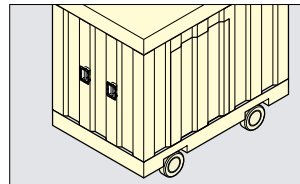
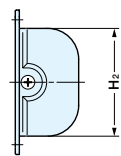
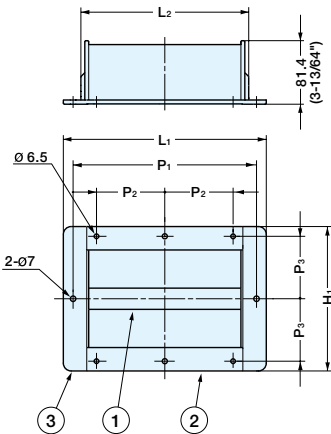
MEGA-RECESSED PULL (W/BAR HANDLE)



HH-M



- Designed for industrial applications where use of thick gloves is required.
- Handlebar is recessed into cup keeping it flush and out of the way when not in use.



Item No.	Box(pcs)	Carton(pcs)
HH-M200	1	4
HH-M400		2

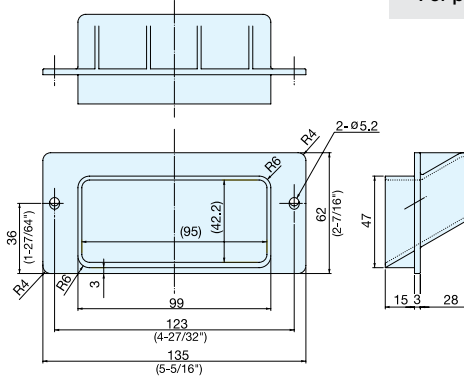
No.	Part Name	Material
①	Bar	304 Stainless Steel
②	Cup	
③	End Cover	

Item No.	L ₁	H ₁	H ₂	L ₂	P ₁	P ₂	P ₃	L ₃	H ₃
HH-M200	260 (10-15/64")	186.3 (7-21/64")	138.3 (5-29/64")	218 (8-37/64")	235 (9-1/4")	87.5 (3-7/16")	80	216 (8-1/2")	140 (5-33/64")
HH-M400	460 (18-7/64")			418 (16-29/64")	435 (17-1/8")	125.0 (4-59/64")		416 (16-3/8")	

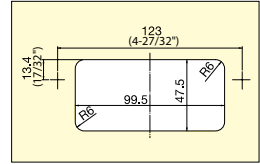
RECESSED PULL (BACK MOUNT)



HH-PS99



- Designed for back mounting.
- For panel thickness of 15mm(19/32").



Panel Cut Out Dimensions

Item No.	Weight (g)	Carton (pcs)	Material	Color
HH-PS99	42	200	Polypropylene with Glass Fiber	Black

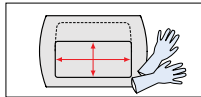
RECESSED PULL



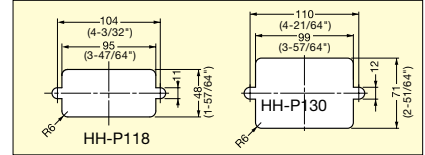
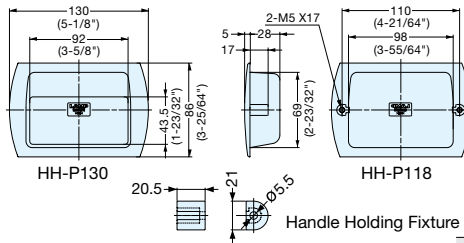
HH-P



- Made with PVC material:
 - Ideal for semiconductor, manufacturing machinery and transparent applications.
 - Weather proof, chemical resistant.
- Large opening allows for easy accessibility with gloved hands.
- Environmentally friendly PVC, Lead-free.
- Compliant with SEMI S8-0308 guideline.
- Door thickness: 1 to 11mm



Large opening makes it easier to use with gloves



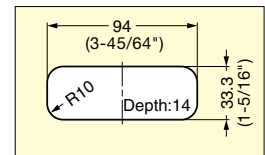
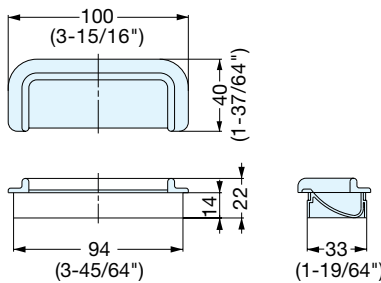
Panel Cut Out Dimensions

Material	Color	Item No.	Weight (g)	Box (pcs)	Carton (pcs)
Polyvinyl Chloride (PVC)	Clear	HH-P118	43	45	450
		HH-P130	100	30	300

RECESSED PULL



UP-600



Panel Cut Out Dimensions

Item No.	Weight (g)	Box	Carton (pcs)	Material	Color
UP-600	25	50	300	ABS	Black/Chrome

RECESSED PULL



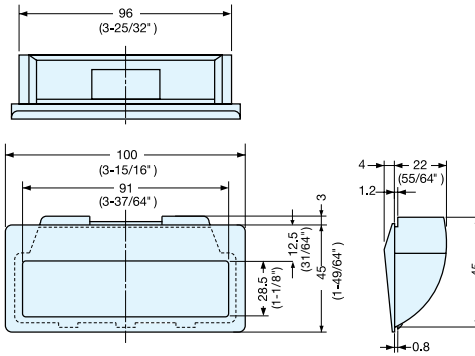
AT-100



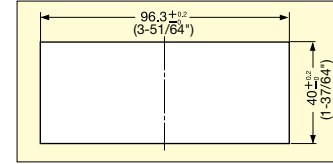
AT-100-B



AT-100-I



- Snap-in type recessed pull for sheet metal thickness 0.8mm.



Panel Cut Out Dimensions (thickness: 0.8mm)

Item No.	Weight (g)	Box (pcs)	Carton (pcs)
AT-100-I	23	50	250
AT-100-BR			
AT-100-B			

Material	Color
ABS	Ivory (I)/ Brown (BR)/ Black (B)

RECESSED PULL



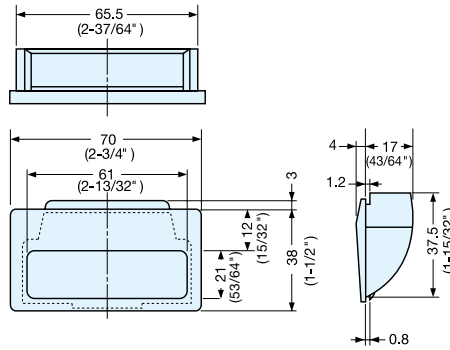
AT-70



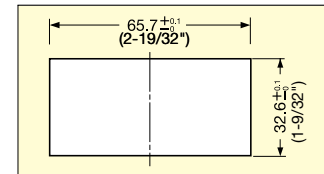
AT-70-B



AT-70-I



- Snap-in type recessed pull for sheet metal thickness 0.8mm.



Panel Cut Out Dimensions (thickness: 0.8mm)

Item No.	Weight (g)	Box (pcs)	Carton (pcs)
AT-70-I	12	100	550
AT-70-BR			
AT-70-B			

Material	Color
ABS	Ivory (I)/ Brown (BR)/ Black (B)

RECESSED PULL



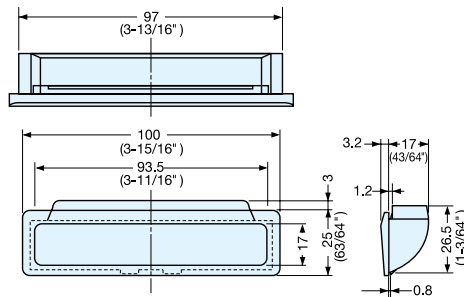
ATS-100



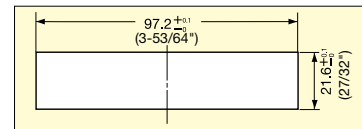
ATS-100-B



ATS-100-I



- Snap-in type recessed pull for sheet metal thickness 0.8mm.



Panel Cut Out Dimensions (thickness: 0.8mm)

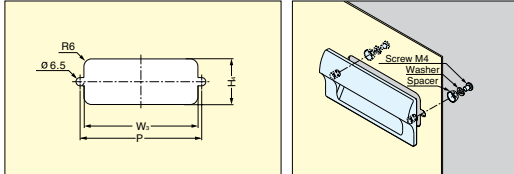
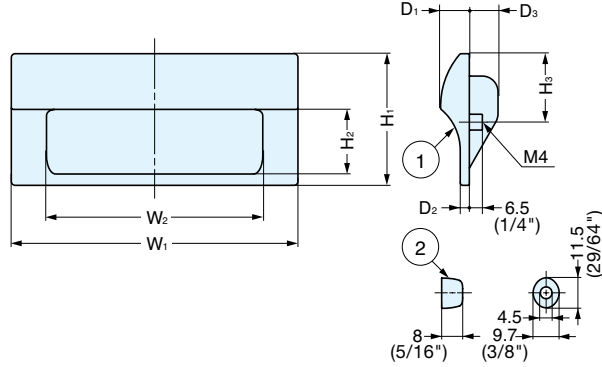
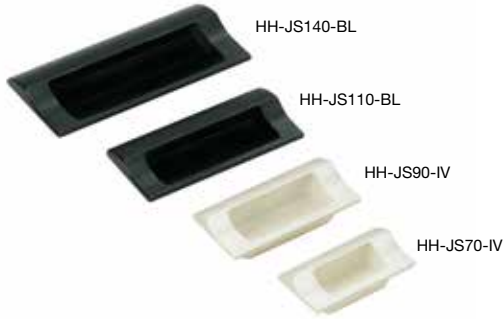
Item No.	Weight (g)	Box (pcs)	Carton (pcs)
ATS-100-I	12.5	100	550
ATS-100-BR			
ATS-100-B			

Material	Color
ABS	Ivory (I)/ Brown (BR)/ Black (B)

RECESSED PULL (SCREW MOUNT)



HH-JS



Sheetmetal Cut Out Dimensions

Installation

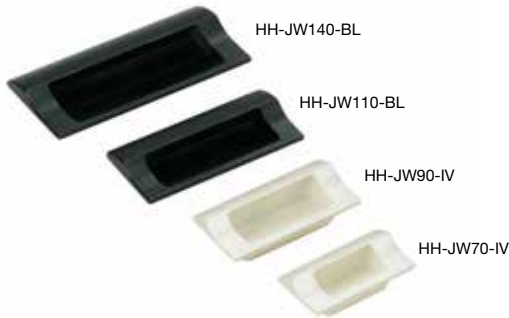
Part Name	Material	Finish
Handle Body	ABS + Polycarbonate	Ivory (IV)/Black (BL)

Item No.	W ₁	W ₂	H ₁	H ₂	H ₃	D ₁	D ₂	D ₃	P	W ₃	W ₄	Box (pcs)	Carton (pcs)
HH-JS70-BL	70 (2-3/4")	43 (1-11/16")	38 (1-1/2")	17.0 (43/64")	19 (3/4")	10.5	3.0	9	58 (2-9/32")	48	25	10	200
HH-JS70-IV													
HH-JS90-BL	90 (3-35/65")	63 (2-31/64")	44 (1-47/64")	21.5 (27/32")	22 (55/64")	11.0	11.0	11	78 (3-5/64")	68	31		
HH-JS90-IV													
HH-JS110-BL	110 (4-21/64")	82 (3-15/64")	50 (1-31/32")	24.4 (61/64")	26 (1-1/32")	11.5	11.5	11.5	96 (3-25/32")	90	36		
HH-JS110-IV													
HH-JS140-BL	140 (5-33/64")	109 (4-19/64")	64 (2-33/64")	34.0 (1-11/32")	33 (1-19/64")	11.5	11.5	11.5	126 (4-61/64")	116	48		
HH-JS140-IV													

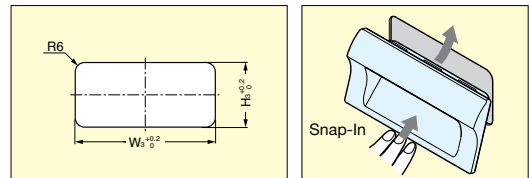
RECESSED PULL (SNAP-IN MOUNT)



HH-JW



• Snap-in type recessed pull for sheet metal thickness 0.5 ~ 3.2 mm.

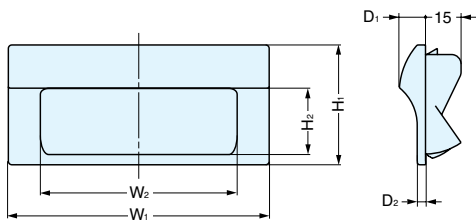


Sheetmetal Cut Out Dimensions

Installation

Part Name	Material	Finish
Handle Body	ABS + Polycarbonate	Ivory (IV)/Black (BL)

Type	W ₃	H ₃			
		Panel 0.8mm	Panel 1.0~1.2mm	Panel 1.0~1.2mm	Panel 2.3mm
HH-JW70	46	28.7	29	29.4	30.8
HH-JW90	66	34.7	35	35.4	36.8
HH-JW110	88	40.7	41	41.4	42.8
HH-JW140	114	54.7	55	55.4	56.8



Item No.	W ₁	W ₂	H ₁	H ₂	D ₁	D ₂	Box (pcs)	Carton (pcs)
HH-JW70-BL	70 (2-3/4")	43 (1-11/16")	38 (1-1/2")	18.5 (47/64")	10.5	3.0	10	200
HH-JW70-IV								
HH-JW90-BL	90 (3-35/65")	63 (2-31/64")	44 (1-47/64")	22.9 (29/32")	11.0			
HH-JW90-IV								
HH-JW110-BL	110 (4-21/64")	82 (3-15/64")	50 (1-31/32")	26.8 (1-1/16")	11.5	3.5		
HH-JW110-IV								
HH-JW140-BL	140 (5-33/64")	109 (4-19/64")	64 (2-33/64")	37.8 (1-31/64")	11.5	3.5		
HH-JW140-IV								

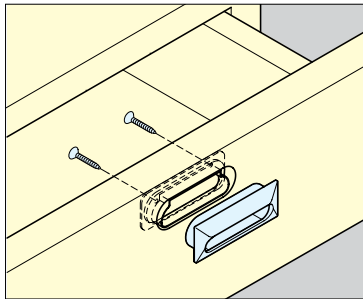
RECESSED PULL (W/VENTILATOR)



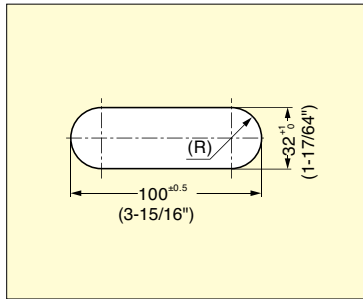
UTA-105

HANDLES, PULLS & KNOBS

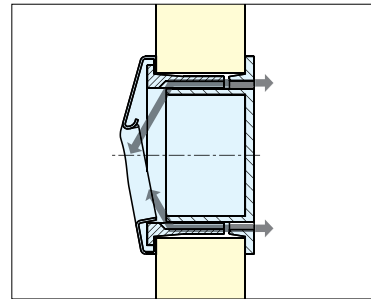
RECESSED PULL (W/ VENTILATOR)



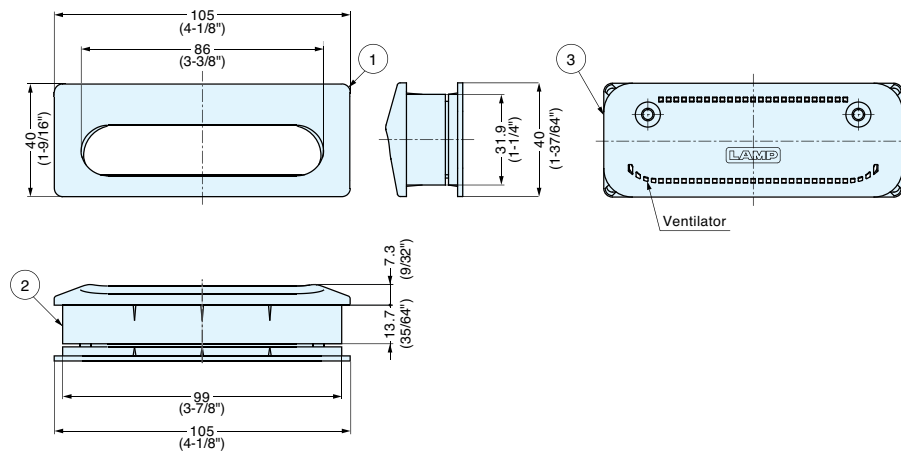
Installation



Panel Cut Out Dimensions



Air Circulation



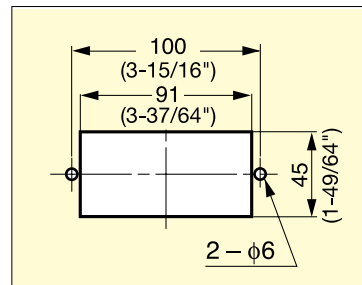
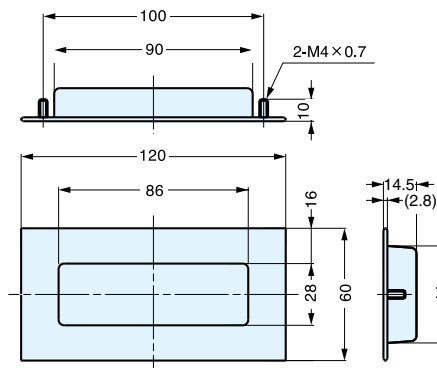
Item No.	Panel Thickness	Weight (g)	Box (pcs)	Carton (pcs)	No.	Material	Finish
UTA-105BL	18-25mm (11/16"~1")	40	15	150	①	304 Stainless Steel	Satin
UTA-105GR					②	ABS	Black (BL)/Grey (GR)/Ivory (IV)
UTA-105IV					③		

RECESSED PULL (TITANIUM)



HH-AS2TI

- Recessed titanium handle.
- Lightweight
- High corrosion resistance.



Sheetmetal Cut Out Dimensions

Item No.	Weight (g)	Box (pcs)	Carton (pcs)
HH-AS2-TI	30	12	240

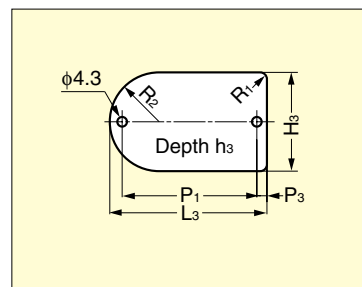
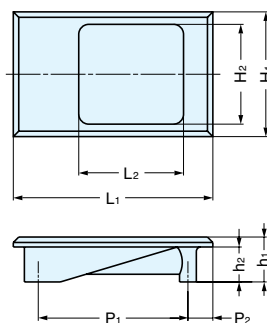
Material	Finish
Titanium	Shotblast

RECESSED PULL

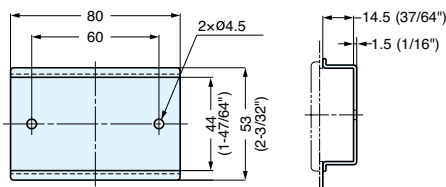


5103

- Sheetmetal mounting bracket, 5103-80 sold separately.



Sheetmetal Cut Out Dimensions



Mounting Bracket 5103-80 (sold separately)

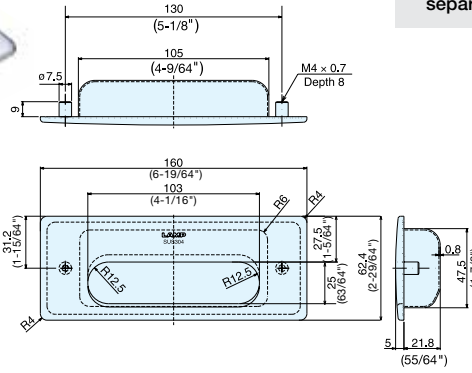
Item No.	Description	Material	Finish
5103-55	Handle	Zinc Alloy	Satin Nickel
5103-80	Mounting Bracket		

Item No.	L ₁	L ₂	H ₁	H ₂	h ₁	h ₂	P ₁	P ₂	L ₃	H ₃	P ₃	R ₁	R ₂	h ₃
5103-55	55 (2-11/64")	31.5 (1-15/64")	40 (1-37/64")	31.5 (1-15/64")	15.5 (39/64")	12.5 (31/64")	32 (1-17/64")	16 (5/8")	46	35	10.0	2	18	12.5
5103-80	80 (3-5/32")	42.0 (1-21/32")	50 (1-31/32")	40.0 (1-37/64")	18.0 (45/64")	14.0 (35/64")	60 (2-23/64")	10 (25/64")	70	44	4.5	3	22	14.0

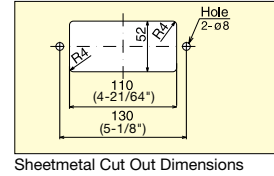
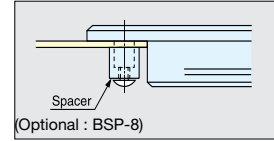
RECESSED PULL



HH-KL160



- Compliant with SEMI S8-0600 guideline.
- Spacer for sheet metal application sold separately.

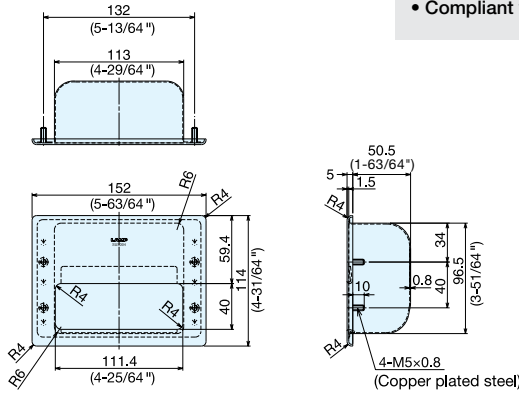


Item No.	Weight (g)	Box (pcs)	Carton (pcs)	Material	Finish
HH-KL160	260	8	48	304 Stainless Steel	Satin

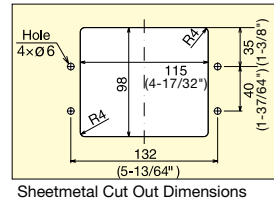
RECESSED PULL



HH-KP150



- Compliant with SEMI S8-0600 guideline.

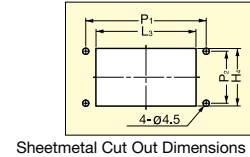
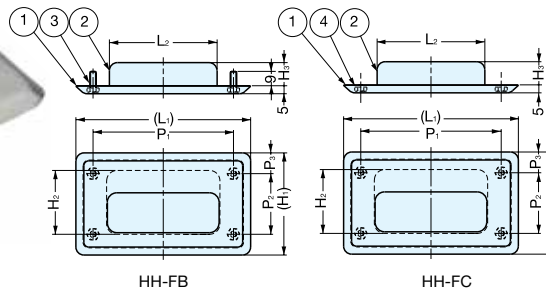


Item No.	Weight (g)	Box (pcs)	Carton (pcs)	Material	Finish
HH-KP150	390	5	50	304 Stainless Steel	Satin

RECESSED PULL



HH-FB, HH-FC



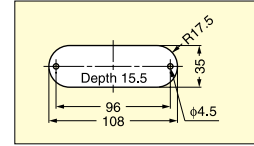
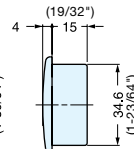
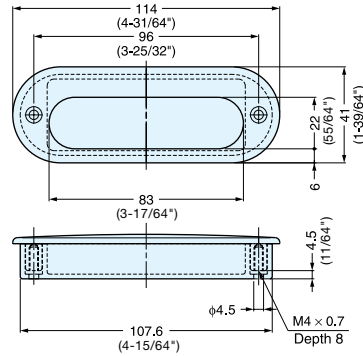
No.	Part Name	Material	Finish
①	Front Plate	304 Stainless Steel	Mirror (M)/ Satin (S)
②	Back Cover		
③	M4 Stud		
④	M4 Nut		

Item No.	Stud/Nut	(L ₁)	L ₂	L ₃	(H ₁)	H ₂	H ₃	H ₄	P ₁	P ₂	(P ₃)	Weight (g)
HH-FB-1/M	HH-FB-1/S	M4 Stud	138.0 (5-7/16")	96 (3-25/32")	95 (3-47/64")	88 (3-15/32")	62 (2-7/16")	21.0 (53/64")	64 (2-33/64")	110 (4-21/64")	65 (2-9/16")	11.5
HH-FC-1/M	HH-FC-1/S	M4 Nut										170
HH-FB-2/M	HH-FB-2/S	M4 Stud	109.5 (4-5/16")	71 (2-51/64")	70 (2-3/4")	64 (2-33/64")	40 (1-32/64")	14.5 (37/64")	42 (1-21/32")	88 (3-15/32")	38 (1-1/2")	13.0
HH-FC-2/M	HH-FC-2/S	M4 Nut										100
HH-FB-3/M	HH-FB-3/S	M4 Stud	94.0 (3-45/64")	61 (2-13/32")	63 (2-31/64")	60 (2-23/64")	43 (1-11/16")	12.0 (15/32")	45 (1-49/64")	76 (2-63/64")	32 (1-17/64")	14.0
HH-FC-3/M	HH-FC-3/S	M4 Nut										80

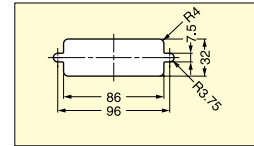
RECESSED PULL



HH-D



Panel Cut Out Dimensions



Cut Out Dimensions for sheet metal. Put sheet metal between front and back part for sheet metal applications. (Max. sheet metal thickness: 2 mm)

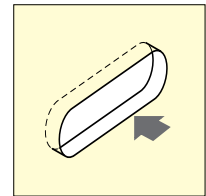
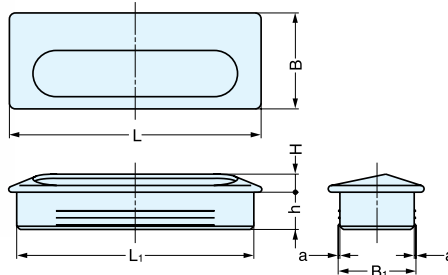
Item No.	Weight (g)	Box (pcs)	Carton (pcs)
HH-D	85	10	60

Material	Finish/Color
316 Stainless Steel	Mirror
ABS	Black

RECESSED PULL



UT



Panel Installation

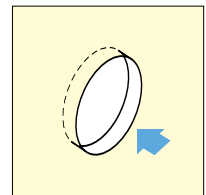
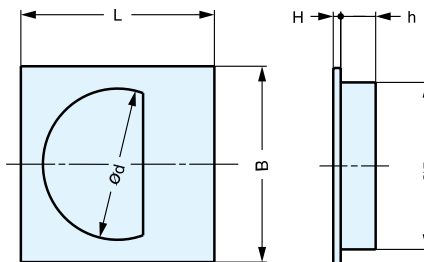
Material	Finish/Color
304 Stainless Steel	Satin (S)
Brass (UT-105/PB only)	Brass (PB)/(UT-105/PB)
Plastic	Black

Item No.	L	L ₁	H	h	B	B ₁	a	Weight (g)	Box (pcs)	Carton (pcs)
UT-75/S	75 (2-61/64")	71 (2-51/64")	7.0 (9/32")	15.5 (39/64")	36 (1-27/64")	30.8	0.4	15	40	400
UT-105/S-1	105 (4-1/8")	99 (3-57/64")	7.5 (19/64")	15.5 (39/64")	40 (1-37/64")	32.5	0.5	30	25	250
UT-140/S	140 (5-33/64")	134 (5-9/32")	7.5 (19/64")	15.5 (39/64")	47 (1-27/32")	40.5	0.5	45	15	150
UT-105/PB	105 (4-1/8")	99 (3-57/64")	7.5 (19/64")	15.5 (39/64")	40 (1-37/64")	32.5	0.5	30	25	250

RECESSED PULL



SP



Panel Installation

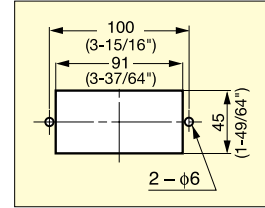
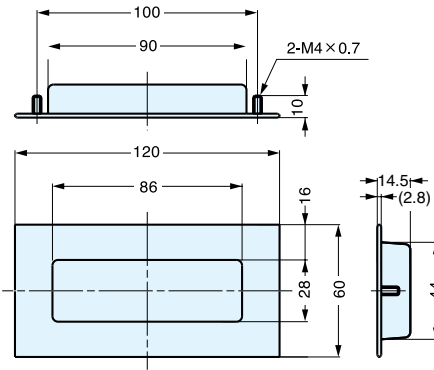
Material	Finish/Color
304 Stainless Steel	Satin (S)
Brass (SP-35/PB only)	Polished Brass (SP-35/PB)
Plastic	Black

Item No.	L	B	H	h	D	d	Weight (g)	Box (pcs)	Carton (pcs)
SP-35/S	44 (1-47/64")	44 (1-47/64")	2.2	9.8 (25/64")	35.1	31	10	100	1000
SP-38/S	47 (1-27/32")	47 (1-27/32")		10.3 (13/32")	37.6	34	11	60	1440
SP-48/S	57 (2-1/4")	57 (2-1/4")		48.6	44	16	50	1200	
SP-35/PB	44 (1-47/64")	44 (1-47/64")		9.8 (25/64")	35.1	31	10	100	1000

RECESSED PULL



HH-AS2



Cut Out Dimensions

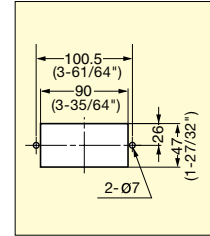
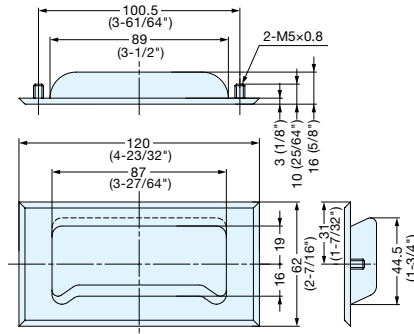
*Titanium version available upon request.

Item No.	Weight (g)	Box (pcs)	Carton (pcs)	Material	Finish
HH-AS2	50	12	240	304 Stainless Steel	Satin

RECESSED PULL



HH-AS3



Cut Out Dimensions

Item No.	Weight (g)	Box (pcs)	Carton (pcs)	Material	Finish
HH-AS3	50	12	240	304 Stainless Steel	Satin

RECESSED PULL



ES



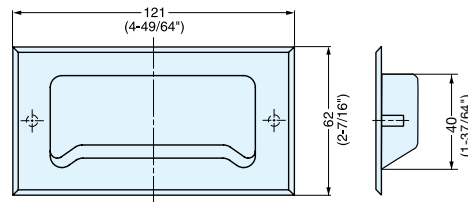
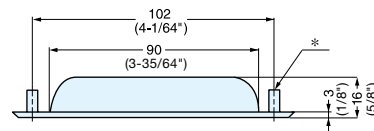
ET
(Male Studs/Copper)

IT
(M4 Female Studs/Copper
with M4x25 Steel screws)

WO
(Weld-on)

* ES-611/ET: Male studs/
Copper M5x0.8 Length 10

* ES-611/IT: Female studs/
Copper M4x0.7 Depth 6



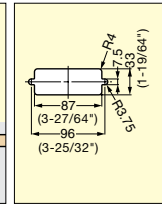
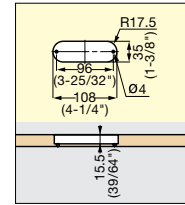
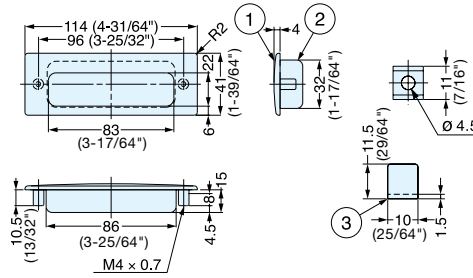
Item No.	Weight (g)	Box (pcs)	Carton (pcs)	Material	Finish
ES-611/ET	68	20	200	304 Stainless Steel	Satin
ES-611/IT	60				
ES-611/WO					

RECESSED PULL



HH-KS

• Ideal for harsh and high corrosive environments.



Item No.	Finish	Weight (g)	Box (pcs)	Carton (pcs)
HH-KS 114M	Mirror	110	10	60
HH-KS 114S	Satin			

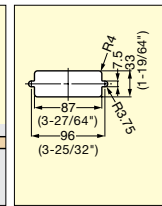
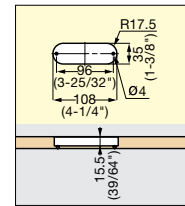
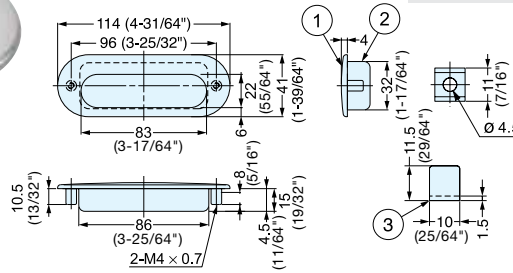
No.	Part Name	Material	Finish
①	Face Plate	316 Stainless Steel	Mirror/Satin
②	Case	304 Stainless Steel	Satin
③	Spacer		-

RECESSED PULL



HH-DS

• Ideal for harsh and high corrosive environments.



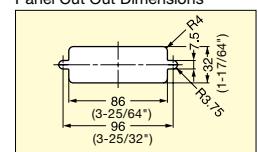
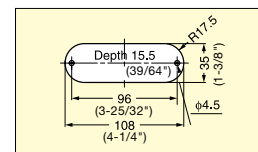
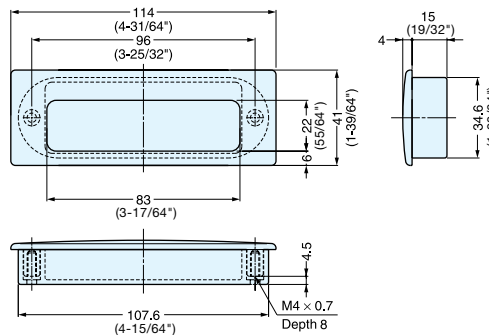
Item No.	Finish	Weight (g)	Box (pcs)	Carton (pcs)
HH-DS 114M	Mirror	105	10	60
HH-DS 114S	Satin			

No.	Part Name	Material	Finish
①	Face Plate	316 Stainless Steel	Mirror/Satin
②	Case	304 Stainless Steel	Satin
③	Spacer		-

RECESSED PULL



HH-K



Sheetmetal Cut Out Dimensions. Put sheet metal between front and back part for sheet metal applications. (Max. sheet metal thickness: 2 mm)

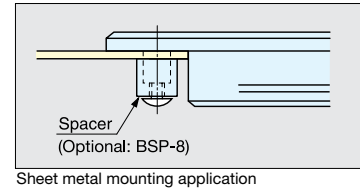
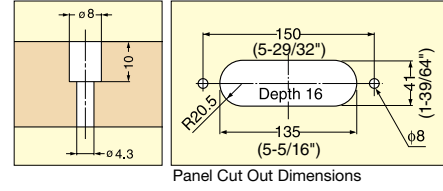
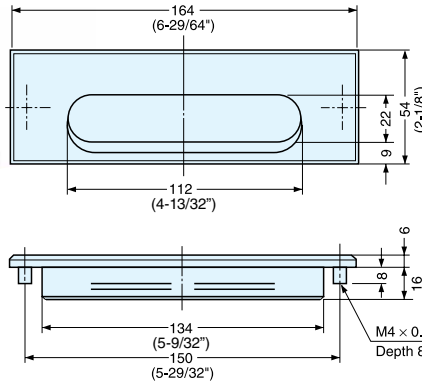
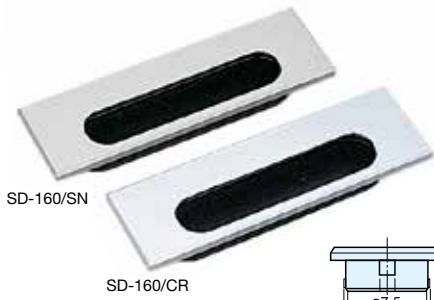
Item No.	Weight (g)	Box (pcs)	Carton (pcs)
HH-K	90	10	60

Material	Finish/Color
316 Stainless Steel	Mirror
ABS	Black

RECESSED PULL



SD-160

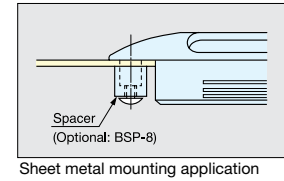
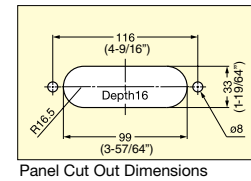
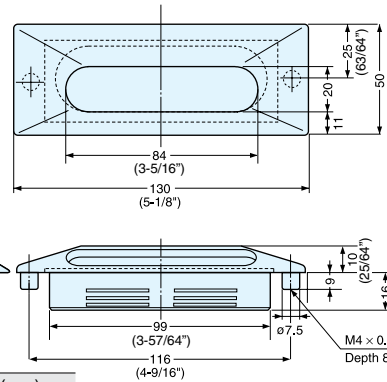


Item No.	Weight (g)	Box (pcs)	Carton (pcs)	Material	Finish/Color
SD-160/CR	165	10	60	Zinc Alloy	Chrome (CR)/Satin Nickel (SN)
SD-160/SN				Plastic	Black

RECESSED PULL



UTZ-130

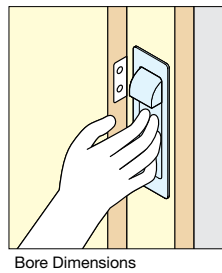
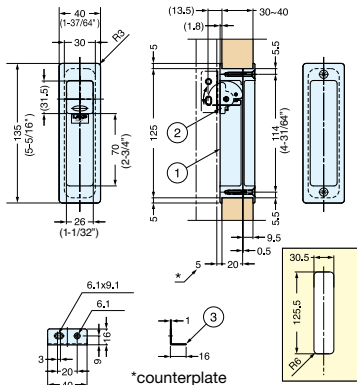


Item No.	Weight (g)	Box (pcs)	Carton (pcs)	Material	Finish/Color
UTZ-130/CR	105	10	60	Zinc Alloy	Chrome (CR)/Satin Nickel (SN)/Bronze (SB)
UTZ-130/SN				Plastic	Black
UTZ-130/SB				Plastic	Black

RECESSED PULL (W/DOOR STOPPER)



HH-P135



- Door stopper can be flipped-out to prevent door from entering pocket and pinching fingers.
- Door stopper can be flipped-in to completely open the door.
- Applicable door thickness: 30~40 mm (1-3/16"~1-9/16")
- Can be used on door thickness up to 50 mm (1-31/32") by using longer M4 screws. (Not supplied.)

*In case of using counterplate, change the gap (marked) to 7 mm (9/32") to prevent the stopper and plate from hitting or scratching.

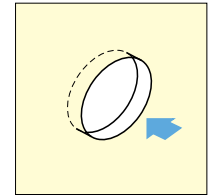
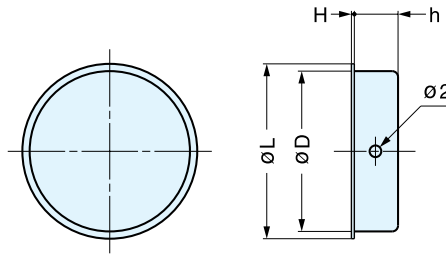
Item No.	Door Thickness (mm)	Weight (g)	Box (pcs)	Carton (pcs)
HH-P135/CR	30~40	290	5	50
HH-P135/DC				
HH-P135/SN				

No.	Material	Finish/Color
①	Zinc Alloy	Chrome (CR)/Dull Chrome (DC)/Satin Nickel (SN)
②	Polyurethane	-
③	Steel	Chrome (CR)/Dull Chrome (DC)/Satin Nickel (SN)

RECESSED PULL



RP



Panel Installation

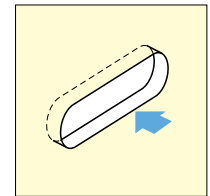
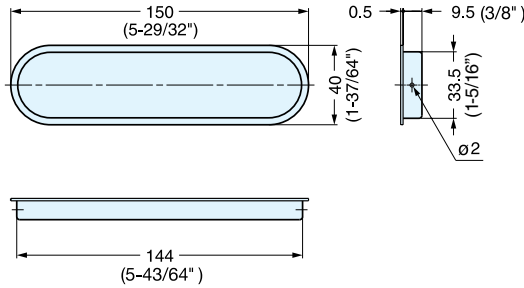
Item No.	L	H	h	D	Weight (g)	Box (pcs)	Carton (pcs)
RP-30	30 (1-3/16")	0.5	7.5 (19/64")	27.5	4.0	100	3600
RP-37	36 (1-27/64")		8.5 (21/64")	31.5	6.0		
RP-45	46 (1-13/16")		41.0	9.5			
RP-60	60 (2-23/64")		53.5	15.0	50	1200	
RP-80	80 (3-5/32")		71.0	25.5	25	500	

Material	Finish
304 Stainless Steel	Satin

RECESSED PULL



OP-150



Panel Installation

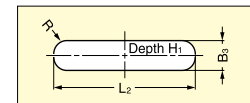
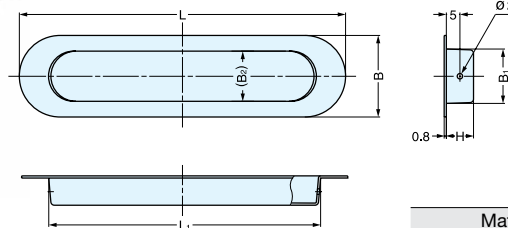
Item No.	Weight (g)	Box (pcs)	Carton (pcs)
OP-150	30	30	720

Material	Finish
304 Stainless Steel	Satin

RECESSED PULL



HN



Panel Cut Out Dimensions

Material	Finish
304 Stainless Steel	Satin

Item No.	L	L ₁	H	B	B ₁	B ₂	L ₂	B ₃	H ₁	Weight (g)	Box (pcs)	Carton (pcs)
HN-120SH	120 (4-23/32")	100	10.0 (25/64")	30 (1-3/16")	20 (25/32")	18.5	100.5 (3-61/64")	20.5 (13/16")	10.5	19	50	500
HN-150SH	150 (5-29/32")	130	12.0 (15/32")	35 (1-3/8")	26 (1-1/32")	24.5	130.5 (5-9/64")	26.5 (1-3/64")	12.5	27	20	200
HN-200SH	200 (7-7/8")	170	13.2 (33/64")	50 (1-31/32")	36 (1-27/64")	34.5	170.5 (6-23/32")	36.5 (1-7/16")	13.7	50	10	100
HN-250SH	250 (9-27/32")	220					220.5 (8-11/16")			92		

RECESSED PULL

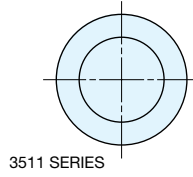
3511, 3512 SERIES



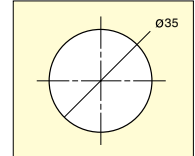
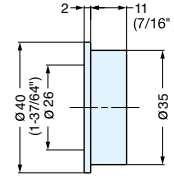
3511038/SN



3511400/CR



3511 SERIES



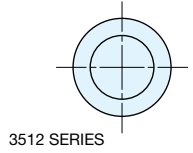
Panel Cut Out Dimensions



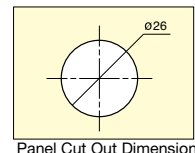
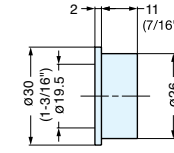
3512038/SN



3512400/CR



3512 SERIES



Panel Cut Out Dimensions

Item No.	Weight (g)	Box (pcs)	Carton (pcs)
3511038/SN	27.1	25	250
3511400/CR			
3512038/SN	17.2	25	250
3512400/CR			

Material	Finish
Zinc Alloy	Satin Nickel (SN)/Chrome (CR)

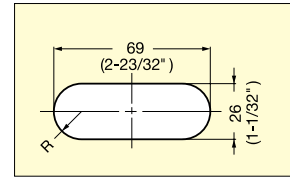
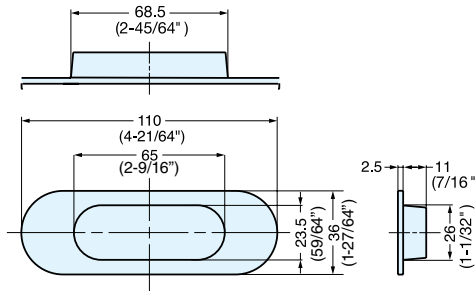
RECESSED PULL

3922 SERIES



3922038/SN

3922400/CR



Panel Cut Out Dimensions

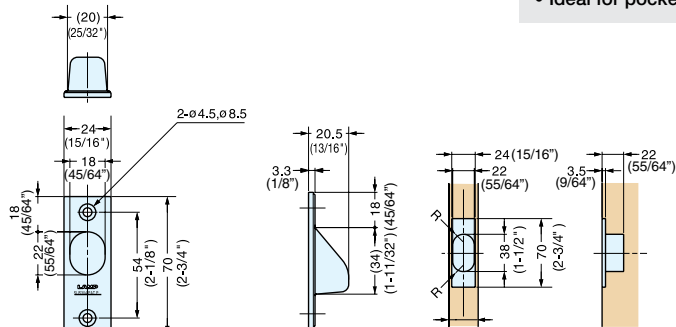
Item No.	Weight (g)	Box (pcs)	Carton (pcs)
3922038/SN	70.9	25	250
3922400/CR			

Material	Finish
Zinc Alloy	Satin Nickel (SN)/Chrome (CR)

RECESSED PULL



YK-70



• Ideal for pocket door application.

Door Thickness:
min. 30 mm

Item No.	Weight (g)	Box (pcs)	Carton (pcs)
YK-70	37	20	200

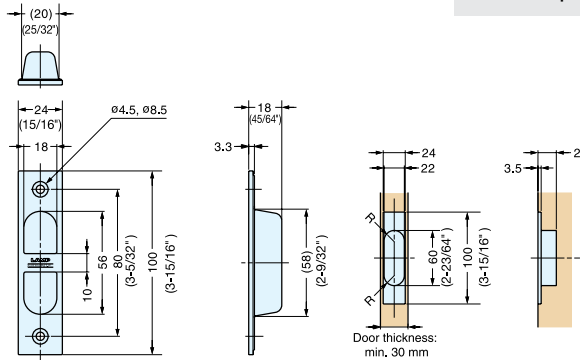
Material	Finish
304 Stainless Steel	Satin

RECESSED PULL



YK-W100

• Ideal for pocket door application.

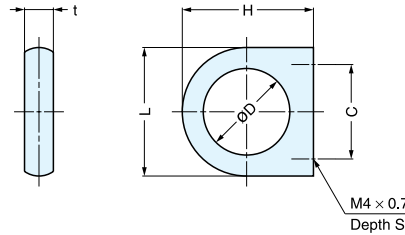


Item No.	Weight (g)	Box (pcs)	Carton (pcs)	Material	Finish
YK-W100	45	20	160	304 Stainless Steel	Satin

PULL



DR



Material	Finish
304 Stainless Steel	Mirror (M)/Satin (S)

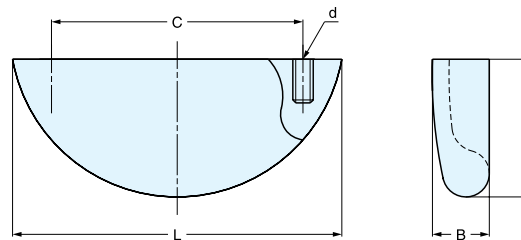
Item No.		L	C	H	t	D	S	Weight (g)	Box (pcs)	Carton (pcs)
DR-S/M	DR-S/S	24.5 (31/32")	18 (45/64")	25.0 (63/64")	5.5	16.5	5	10	80	800
DR-L/M	DR-L/S	30.5 (1-13/64")	21 (53/64")	31.5 (1-15/64")	6.5	20.5	6	22	50	500

PULL



RD

• Ideal for harsh and highly corrosive environments.



Item No.	L	C	H	B	d	Weight (g)	Box (pcs)	Carton (pcs)	Material	Finish
RD-55/SM	55(2-11/64")	42(1-21/32")	23.0 (29/32")	9.5	M4 x 0.7	50	30	360	316 Stainless Steel	Mirror
RD-90/SM	90(3-35/64")	74(2-29/32")	25.5 (1-1/64")	10.5		80	20	240		

PULL



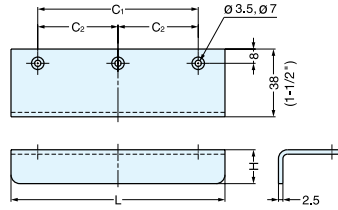
SN



SN-150/M

SN-95/BL

SN-50/S



Material	Finish
304 Stainless Steel	Mirror (M)/Satin (S)/Black (BL)

Item No.			L	C ₁	C ₂	H	Hole	Weight (g)	Box (pcs)	Carton (pcs)
SN-50/M	SN-50/S	SN-50/BL	50 (1-31/32")	30 (1-3/16")	-	18 (45/65")	2	47	40	400
SN-70/M	SN-70/S	SN-70/BL	70 (2-3/4")	46 (1-13/16")	-			65	30	300
SN-95/M	SN-95/S	SN-95/BL	95 (3-47/64")	65 (2-9/16")	-			90	20	200
SN-120/M	SN-120/S	-	120 (4-23/32")	90 (3-35/64")	45		3	112	15	60
SN-150/M	SN-150/S	-	150 (5-29/32")	114 (4-31/64")	57			147		
SN-200/M	SN-200/S	-	200 (7-7/8")	112 (4-13/32")	56			200		
SN-300/M	SN-300/S	-	300 (11-13/16")	180 (7-3/32")	90		4	300	10	40

PULL

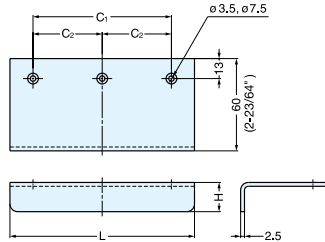


SND



SND-120/M

SND-50/M



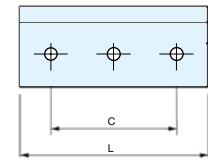
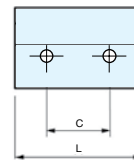
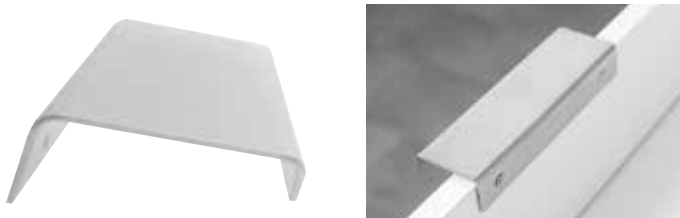
Material	Finish
304 Stainless Steel	Mirror (M)

Item No.	L	C ₁	C ₂	Hole	Weight (g)	Box (pcs)	Carton (pcs)
SND-50/M	50 (1-31/32")	30 (1-3/16")	-	2	47	40	400
SND-70/M	70 (2-3/4")	46 (1-13/16")	-		65	30	300
SND-95/M	95 (3-47/64")	65 (2-9/16")	-		90	20	200
SND-120/M	120 (4-23/32")	90 (3-35/64")	45	3	112	15	150
SND-150/M	150 (5-29/32")	114 (4-31/64")	57		147		

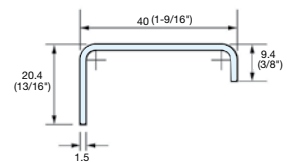
PULL



DSI-350



Item No.	C	L	Weight (g)	Box (pcs)	Carton (pcs)
DSI-350-16	16 (5/8")	32 (1-1/4")	22	25	250
DSI-350-64	64 (2-1/2")	96 (3-25/32")	66		
DSI-350-96	96 (3-25/32")	128 (5-1/16")	88		
DSI-350-128	128 (5-1/16")	160 (6-5/16")	110		
DSI-350-160	160 (6-5/16")	192 (7-9/16")	132		
DSI-350-192	192 (7-9/16")	224 (8-13/16")	154		
DSI-350-224	224 (8-13/16")	256 (10-1/16")	176	10	100
DSI-350-256	256 (10-1/16")	352 (13-7/8")	240		
DSI-350-352	352 (13-7/8")	544 (21-7/16")	374		

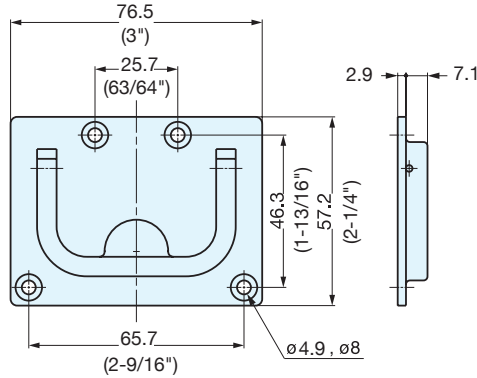
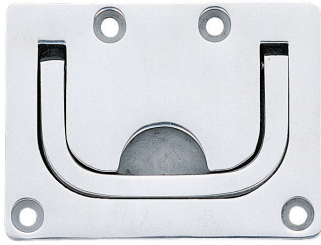


Material	Finish
304 Stainless Steel	Satin

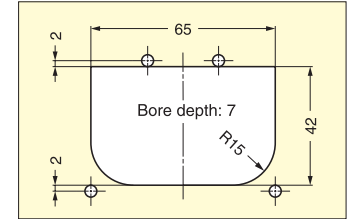
FOLDING RING PULL



26700



- Ideal for harsh and highly corrosive environments.
- The pull is recessed into the mounting plate keeping it flush with the mounting surface.
- Low profile design.



Cut Out Dimensions

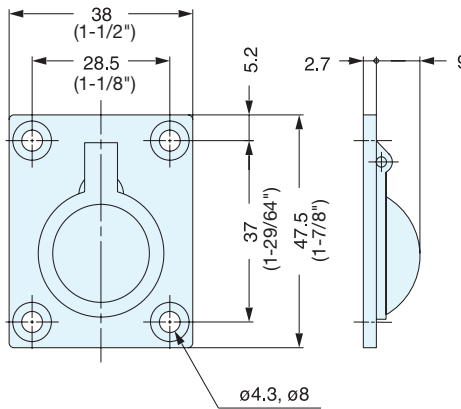
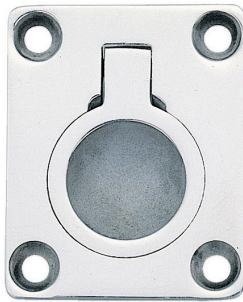
Item No.	Weight (g)	Box (pcs)	Carton (pcs)
26700	120	20	100

Material	Finish
316 Stainless Steel	Polished

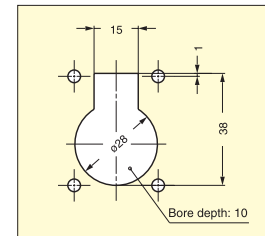
FOLDING RING PULL



26900



- Ideal for harsh and highly corrosive environments.
- The pull is recessed into the mounting plate keeping it flush with the mounting surface.
- Low profile design.



Cut Out Dimensions

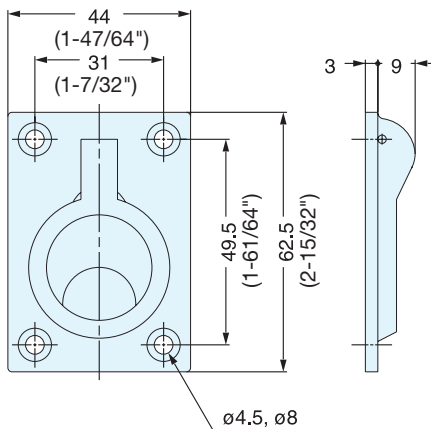
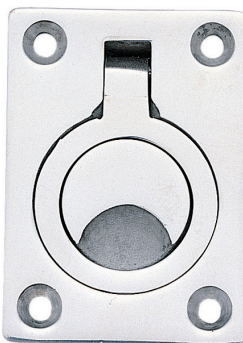
Item No.	Weight (g)	Box (pcs)	Carton (pcs)
26900	45	20	100

Material	Finish
316 Stainless Steel	Polished

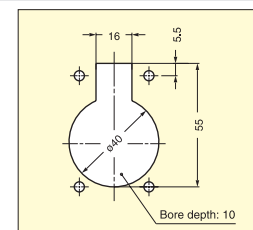
FOLDING RING PULL



26901



- Ideal for harsh and highly corrosive environments.
- The pull is recessed into the mounting plate keeping it flush with the mounting surface.
- Low profile design.



Cut Out Dimensions

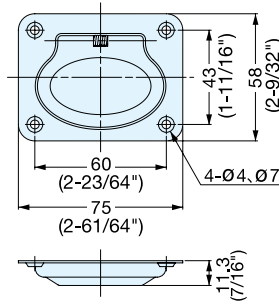
Item No.	Weight (g)	Box (pcs)	Carton (pcs)
26901	85	20	100

Material	Finish
316 Stainless Steel	Polished

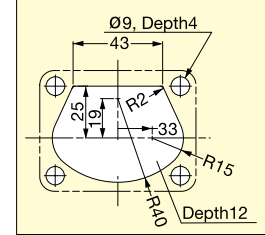
FOLDING RING PULL (SPRING LOADED)



980643



- Spring loaded-snaps flat to stay out of the way when not in use.
- The pull is recessed into the mounting plate keeping it flush with the mounting surface.
- Low profile design.
- Ideal for vibration or shock applications.



Item No.	Weight (g)	Box (pcs)	Carton (pcs)
980643	51	10	200

Material	Finish
304 Stainless Steel	Polished

FOLDING RING PULL (SPRING LOADED)



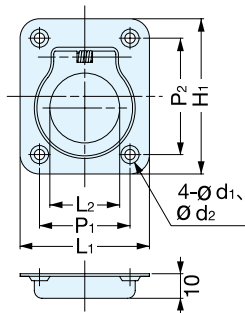
980641, 980642



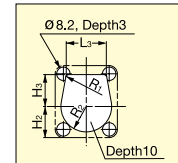
980642



980641



- Spring loaded-snaps flat to stay out of the way when not in use.
- The pull is recessed into the mounting plate keeping it flush with the mounting surface.
- Low profile design.
- Ideal for vibration or shock applications.



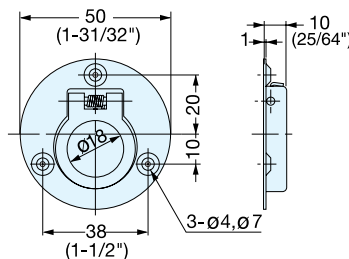
Material	Finish
304 Stainless Steel	Polished

Item No.	L ₁	L ₂	L ₃	H ₁	H ₂	H ₃	R ₁	ØR ₂	P ₁	P ₂	d ₁	d ₂	Weight(g)	Box (pcs)	Carton (pcs)
980641	38 (1-1/2")	18	24.5	44	19	19.5	14.2	31	28 (1-7/64")	34 (1-11/32")	3.6	6.2	21	10	500
980642	50 (1-31/32")	27	25.0	60	25	25.0	19.5	41	35 (1-3/8")	45 (1-25/32")	4.0	7.0	36		200

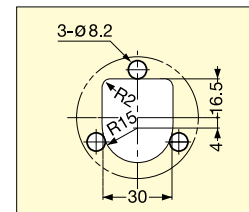
FOLDING RING PULL (SPRING LOADED)



980640



- Spring loaded-snaps flat to stay out of the way when not in use.
- The pull is recessed into the mounting plate keeping it flush with the mounting surface.
- Low profile design.
- Ideal for vibration or shock applications.



Item No.	Weight (g)	Box (pcs)	Carton (pcs)
980640	23	10	300

Material	Finish
304 Stainless Steel	Polished

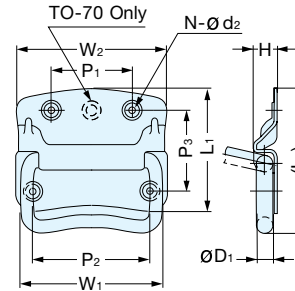
FOLDING RING PULL



TO



- Folding handle provides ample grabbing room under the handle for gloved hands.



Without Spring

Item No.		Material		Finish					
TO-70, TO-80, TO-90, TO-100		Without Spring		Steel		Yellow Zinc Chromate			
Item No.	L ₁	L ₂	W ₁	W ₂	H				
TO-70	54 (2-1/8")	69 (2-23/32")	60 (2-23/64")	68 (2-43/64")	9				
TO-80	73 (2-7/8")	80 (3-5/32")	75 (2-61/64")	83 (3-17/64")	11				
TO-90	75 (2-61/64")	91 (3-37/64")	82 (3-15/64")	90 (3-35/64")	12				
TO-100	85 (3-11/32")	105 (4-9/64")	95 (3-47/64")	102 (4-1/64")	14				
Item No.	P ₁	P ₂	P ₃	ØD ₁	Ød ₂	N	Weight (g)	Box (pcs)	Carton (pcs)
TO-70	-	49 (1-59/64")	34 (1-11/32")	6	4.7	3	60	10	460
TO-80	45 (1-49/64")	63 (2-31/64")	43 (1-11/16")	7	5.0	4	104		300
TO-90	48 (1-57/64")	69 (2-23/32")	47 (1-27/32")	8	5.5		135		240
TO-100	51 (2-1/64")	76 (2-63/64")	54 (2-1/8")	9	6.0		210		120

FOLDING RING PULL

3261, 3262 SERIES

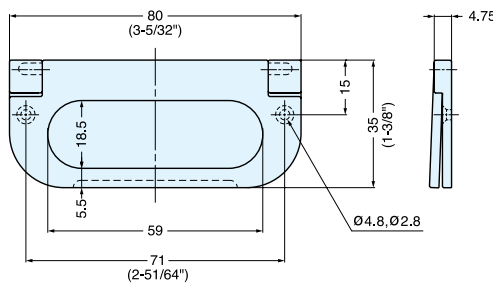


3261500/SN

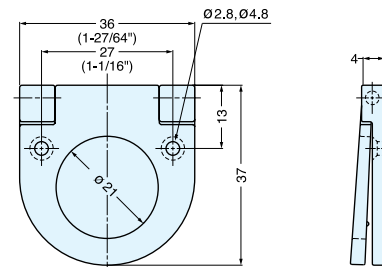


3262200/SN

- Surface mounted.
- Low profile design



3261500/SN



3262200/SN

Item No.	Weight (g)	Box (pcs)	Carton (pcs)	Material	Finish
3261500/SN	49.3	25	250	Zinc Alloy	Satin Nickel
3262200/SN	26.0		600		

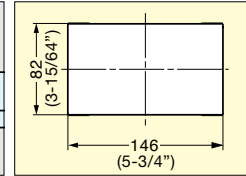
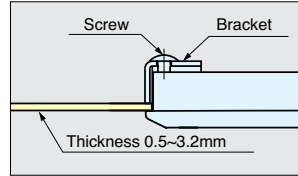
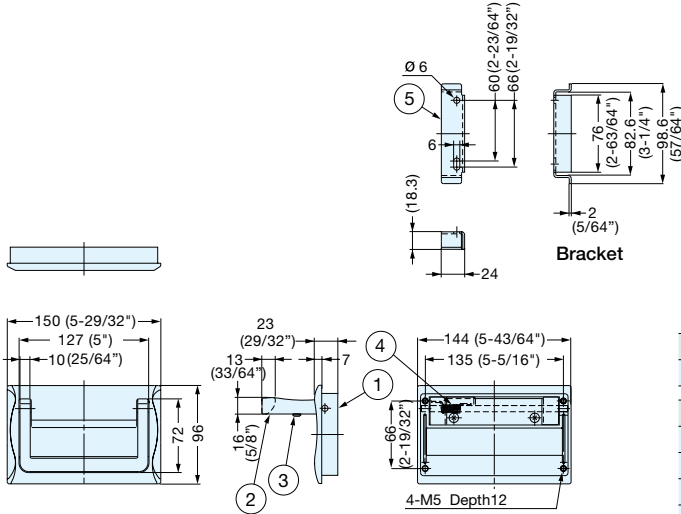
TRUNK HANDLE



HCT-150



- 316 Stainless steel handle is ideal for harsh and highly corrosive environments.
- The handle is recessed into the mounting plate keeping it flush with the mounting surface.
- Spring loaded:
Folds and returns to flat position to stay out of the way when not in use.
- 90 degree stop feature.
- Back mounting.



Cut Out Dimensions

Item No.	Load Capacity (kg)	Load Capacity (lbs)	Weight (g)	Box (pcs)	Carton (pcs)
HCT-150	100	220	990	5	20

No.	Part Name	Material	Finish
①	Body	316 Stainless Steel	Mirror
②	Handle		
③	Bumper	Ethylene Propylene	Black
④	Spring	316 Stainless Steel	-
⑤	Bracket		Plain

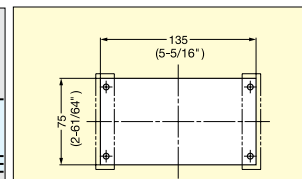
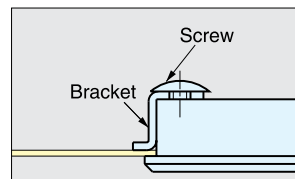
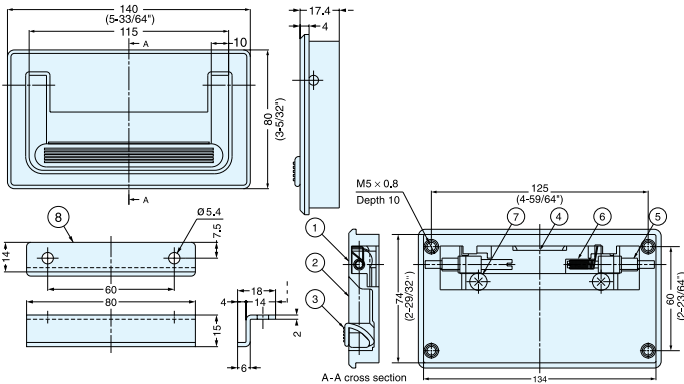
TRUNK HANDLE



MUD-140



- The handle is recessed into the mounting plate keeping it flush with the mounting surface.
- Spring loaded:
Folds and returns to flat position to stay out of the way when not in use.
- 90 degree stop feature.
- Rubber pad on handle provides an easy and comfortable grip.
- Back mounting.



Cut Out Dimensions

Item No.	Load Capacity (kg)	Weight (g)	Box (pcs)	Carton (pcs)
MUD-140	30 (66 lbs)	620	5	20

No.	Part Name	Material	Finish/Color
①	Body	Zinc Alloy	Chrome
②	Handle		
③	Grip	Synthetic Rubber	Black
④	Back Case	Steel	Yellow Zinc Chromate
⑤	Shaft	Zinc Alloy	
⑥	Spring	Steel	
⑦	Screw		
⑧	Bracket		

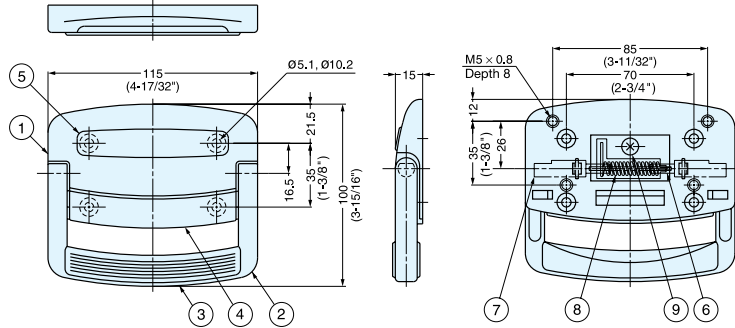
TRUNK HANDLE



TMU-115



- The handle is recessed into the mounting plate keeping it flush with the mounting surface.
- Spring loaded:
Folds and returns to flat position to stay out of the way when not in use.
- 90 degree stop feature.
- Rubber pad on handle provides an easy and comfortable grip.
- Front and back mounting options.



No.	Part Name	Material	Finish/Color
①	Body	Zinc Alloy	Chrome
②	Handle		
③	Grip	Synthetic Rubber	Black
④	Case Cover 1		
⑤	Case Cover 2	Steel	Yellow Zinc Chromate
⑥	Back Case		
⑦	Shaft		
⑧	Spring		
⑨	Screw		

Item No.	Load Capacity (kg)	Weight (g)	Box (pcs)	Carton (pcs)
TMU-115	40 (80 lbs)	460	10	40

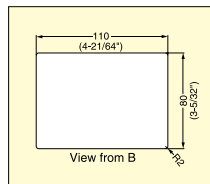
TRUNK HANDLE



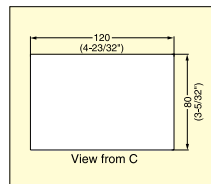
PT-148



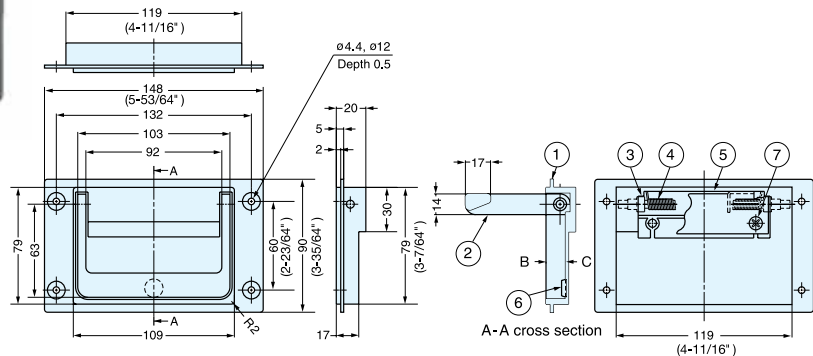
- The handle is recessed into the mounting plate keeping it flush with the mounting surface.
- Spring loaded:
Folds and returns to flat position to stay out of the way when not in use.
- 90 degree stop feature.
- Front and back mounting options.



Cut Out Dimensions for back mount



Cut Out Dimensions for surface mount



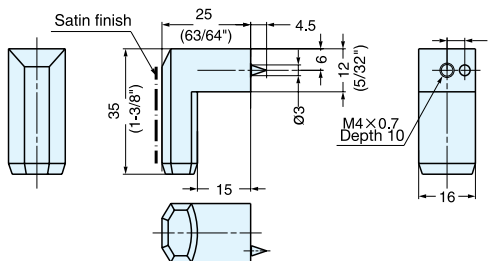
No.	Part Name	Material	Finish/Color
①	Body	Zinc Alloy	Grey
②	Handle		Plain
③	Shaft	Steel	Yellow Zinc Chromate
④	Spring		
⑤	Back Case	Synthetic Rubber	Clear
⑥	Bumper		
⑦	Screw	Steel	Chromate

Item No.	Load Capacity (kg)	Weight (g)	Box (pcs)	Carton (pcs)
PT-148	50 (110 lbs)	645	10	100

KNOB



CU-L-35



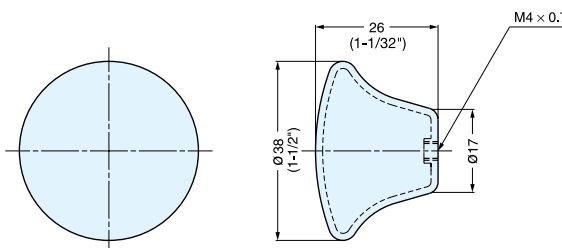
Item No.	Weight (g)	Box (pcs)	Carton (pcs)	Material	Finish
CU-L-35	60	10	100	303 Stainless Steel	Mirror and Satin Combination

KNOB



RS-38

• Light weight design.



Item No.	Weight (g)	Box (pcs)	Carton (pcs)	Material	Finish
RS-38/S	20	20	200	304 Stainless Steel	Satin

KNOB



RSS

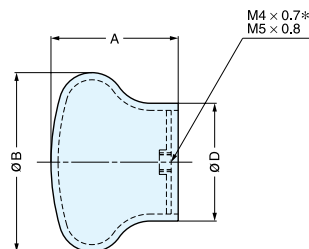
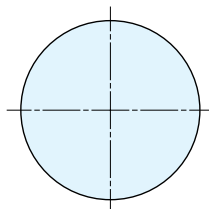
• Light weight design.



Satin



Mirror



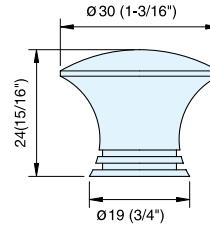
Material	Finish
304 Stainless Steel	Mirror (M)/Satin (S)

Item No.	A	B	D	Weight (g)	Box (pcs)	Carton (pcs)	Screw
RSS-25/M*	RSS-25/S*	22 (55/64")	25 (63/64")	18	8.5	20	200
RSS-30/M*	RSS-30/S*	23 (29/32")	30 (1-3/16")	20	11.0		
RSS-38/M	RSS-38/S	27 (1-1/16")	38 (1-1/2")	25	16.0		
RSS-50/M	RSS-50/S	34 (1-11/32")	50 (1-31/32")	35	30.0		

KNOB



EY-127

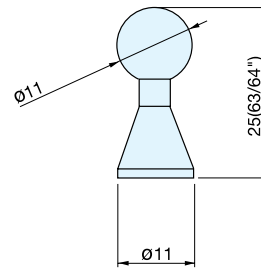


Item No.	Weight (g)	Box (pcs)	Carton (pcs)	Material	Finish
EY-127/30	53	25	250	304 Stainless Steel	Satin

KNOB



EY-207

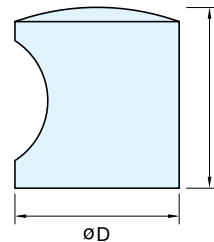


Item No.	Weight (g)	Box (pcs)	Carton (pcs)	Material	Finish
EY-207	11	25	250	304 Stainless Steel	Satin

KNOB



EY-301



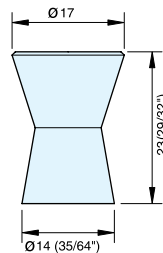
Item No.	D	L	Box (pcs)	Carton (pcs)
EY-301/10	10 (3/8")	24 (15/16")	25	250
EY-301/15	15 (9/16")	26 (1-1/32")		
EY-301/20	20 (3/4")	28 (1-1/8")		
EY-301/25	25 (1")	30 (1-3/16")		
EY-301/30	30 (1-3/16")	28 (1-5/16")		

Material	Finish
304 Stainless Steel	Satin

KNOB



EY-320

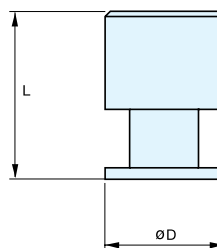


Item No.	Weight (g)	Box (pcs)	Carton (pcs)	Material	Finish
EY-320	22	25	250	304 Stainless Steel	Satin

KNOB



EY-326

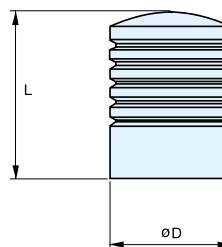


Item No.	D	L	Weight (g)	Box (pcs)	Carton (pcs)	Material	Finish
EY-326/20	20 (25/32")	33.0 (1-19/64")	62	25	250	304 Stainless Steel	Satin
EY-326/25	25 (63/64")	35.5 (1-25/64")	102				

KNOB



EY-327

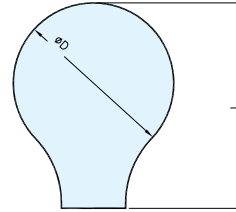


Item No.	D	L	Weight (g)	Box (pcs)	Carton (pcs)	Material	Finish
EY-327/20	20 (25/32")	33.5 (1-21/64")	105	25	250	304 Stainless Steel	Satin
EY-327/25	25 (63/64")	35.0 (1-3/8")	125				

KNOB



EY-338

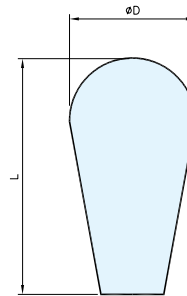


Item No.	D	L	Weight (g)	Box (pcs)	Carton (pcs)	Material	Finish
EY-338/20	20 (25/32")	26 (1-1/32")	40	25	250	304 Stainless Steel	Satin
EY-338/25	25 (63/64")	32 (1-17/64")	75				

KNOB



EY-339

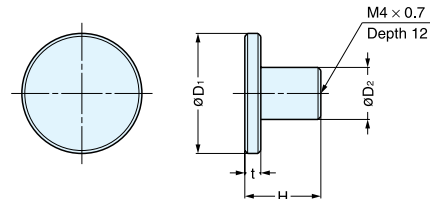


Item No.	D	L	Weight (g)	Box (pcs)	Carton (pcs)	Material	Finish
EY-339/20	20 (25/32")	37.5 (1-31/64")	125	25	250	304 Stainless Steel	Satin
EY-339/25	25 (63/64")	41.5 (1-41/64")	226				

KNOB



A SERIES



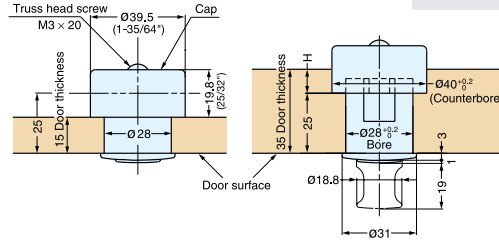
Material	Finish
Aluminum	Anodized

Item No.	D ₁	H	D ₂	t	Weight (g)	Box (pcs)	Carton (pcs)
A-861	20 (25/32")	18.0 (45/64")	10	4.0	5.0	48	1152
A-862	25 (63/64")	18.5 (47/64")	11	4.5	8.5		
A-863	30 (1-3/16")	19.0 (3/4")	12	5.0	15.0		
A-864	35 (1-3/8")		13		16.5	24	576

PUSH KNOB



PK-03



- Knob closes flush when pushed in and not in use.
- Press the knob to pop out and use it to open the door.
- For door thickness 15-20 mm. (19/32"-1")
- Can be used on thickness up to 35 mm (1-3/8") by counter boring.
- Push knobs with latches available on pages 195-199.

Material	Finish/Color
Zinc Alloy	Black Nickel (BN)/Chrome (CR)
ABS	Black

Item No.	Finish	Weight (g)	Box (pcs)	Carton (pcs)	Door Thickness	H (Counterbore)
PK-03/CR	Chrome	67	20	200	15 - 25 mm	None
PK-03/BN	Black Nickel				26 - 35 mm	H=Door Thickness-25

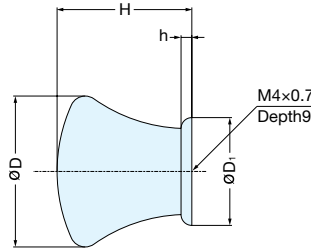
HANDLES, PULLS & KNOBS

KNOBS

KNOB



KK-T



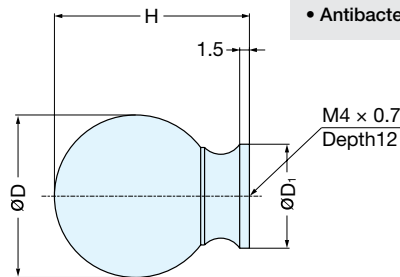
- Antibacterial coating on all finishes except black.

Item No.	Material	Finish	D	D ₁	H	h	Weight (g)	Box (pcs)	Carton (pcs)
KK-T24SNI	Aluminum Alloy	Nickel + Antibacterial Coating	24 (15/16")	16	23 (29/32")	1.5	10	25	200
KK-T24SSG		Satin Gold + Antibacterial Coating							
KK-T24SBR		Brown + Antibacterial Coating							
KK-T24BL		Black							
KK-T28SNI		Nickel + Antibacterial Coating	28 (1-3/32")	20	26 (1-1/32")	2.0	20		
KK-T28SSG		Satin Gold + Antibacterial Coating							
KK-T28SBR		Brown + Antibacterial Coating							
KK-T28BL		Black							

KNOB



KK-B



- Antibacterial Coating.

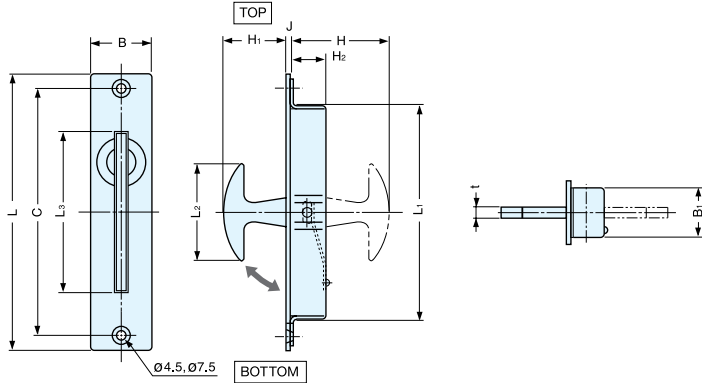
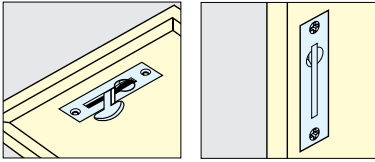
Item No.	Material	Finish	D	D ₁	H	Weight (g)	Box (pcs)	Carton (pcs)
KK-B20SNI	Aluminum Alloy	Nickel + Antibacterial Coating	20 (25/32")	13	26 (1-1/32")	10	25	200
KK-B20SSG		Satin Gold + Antibacterial Coating						
KK-B20SBR		Brown + Antibacterial Coating						
KK-B25SNI		Nickel + Antibacterial Coating	25 (63/64")	16	30 (1-3/16")	25		
KK-B25SSG		Satin Gold + Antibacterial Coating						
KK-B25SBR		Brown + Antibacterial Coating						

HATCH PULL



ST-90, 115

- The handle is concealed when not in use to stay out of the way.
- T-handle design
- ST-90 is RoHS compliant.



Item No.	L	L ₁	L ₂	L ₃	H	H ₁	H ₂	J	B	B ₁	t	C	Material	Finish
ST-90	90 (3-35/64")	66.2 (2-39/64")	30.2	57	35.5	23.2	10.5	2.2	22 (55/64")	18.5	3.8	80 (3-5/32")	304 Stainless Steel	Satin
ST-115	115 (4-17/32")	86.2 (3-25/64")	40.0	67	42.0	26.0	13.0	2.5	25 (63/64")	20.0	4.0	102 (4-1/64")	304 Stainless Steel	Satin

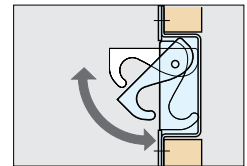
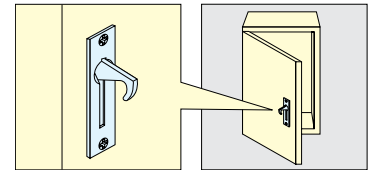
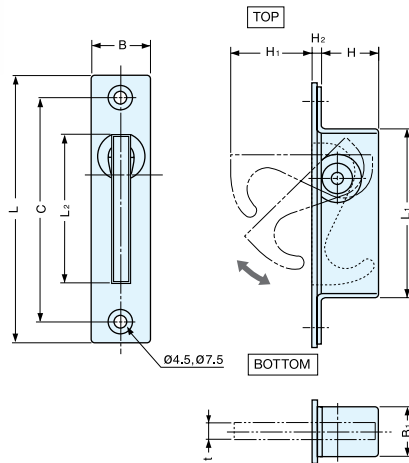
Item No.	Weight (g)	Box (pcs)	Carton (pcs)	Screw
ST-90	68	30	300	3.5 x 22
ST-115	102	20	200	3.5 x 25

HATCH PULL



ST-80, 100

- The handle is concealed when not in use to stay out of the way.
- Hook design



Item No.	L	L ₁	L ₂	H	H ₁	H ₂	B	B ₁	t	C	Material	Finish
ST-80	80 (3-9/64")	50 (1-31/32")	44	18	25	2	18 (45/64")	15	5	68 (2-43/64")	304 Stainless Steel	Satin
ST-100	100 (3-15/16")	63 (2-31/64")	54	21	32	2	20 (25/32")	15	5	85 (3-11/32")	304 Stainless Steel	Satin

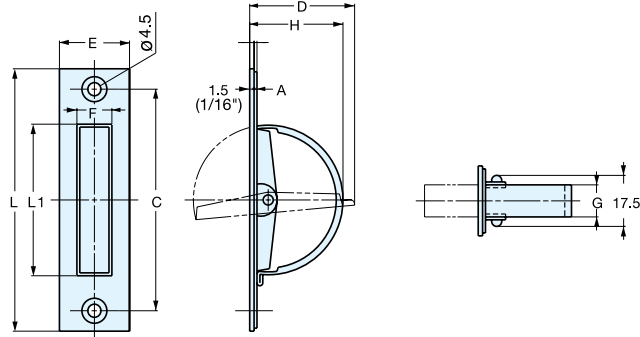
Item No.	Weight (g)	Box (pcs)	Carton (pcs)	Screw
ST-80	48	30	300	3.5 x 16
ST-100	66	20	200	3.5 x 20

HATCH PULL



HR

• The handle is concealed when not in use to stay out of the way.



Item No.	L	L ₁	C	H	D	A	E	F	G	Material	Finish
HR-90	90 (3-35/64")	52 (2-3/64")	76 (2-63/64")	32 (1-17/64")	36 (1-27/64")	1.0	24 (15/16")	12.0	11	304 Stainless Steel	Satin
HR-110	110 (4-21/64")	64 (2-33/64")	94 (3-45/64")	38 (1-1/2")	42 (1-21/32")						
HR-135	135 (5-5/16")	90 (3-35/64")	115 (4-17/32")	50 (1-31/32")	55 (2-11/64")	1.2	25 (63/64")	12.2	12		

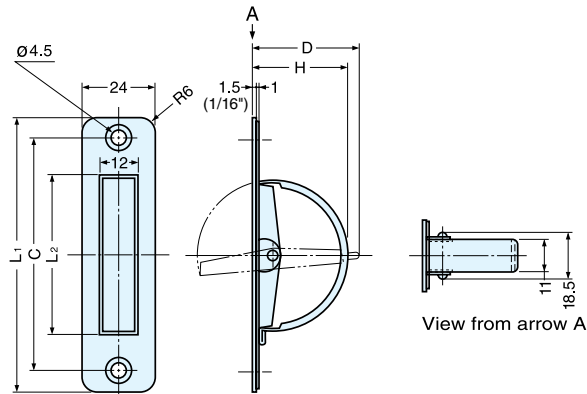
Item No.	Load Capacity (kg)	Weight (g)	Box (pcs)	Carton (pcs)	Screw
HR-90	13.0 (28 lbs)	49	30	300	3.5 x 22
HR-110	10.0 (22 lbs)	59	20	200	3.5 x 25
HR-135	7.5 (16.5 lbs)	88	15	150	

HATCH PULL



HR-R

• The handle is concealed when not in use to stay out of the way.



Material	Finish
304 Stainless Steel	Satin

Item No.	L ₁	L ₂	C	H	D	Load Capacity (kg)	Weight (g)	Box (pcs)	Carton (pcs)
HR-90R	90 (3-35/64")	52 (2-3/64")	76 (2-63/64")	32 (1-17/64")	36 (1-27/64")	13 (28 lbs)	46	30	300
HR-110R	110 (4-21/64")	64 (2-33/64")	94 (3-45/64")	38 (1-1/2")	42 (1-21/32")	10 (22 lbs)	55	20	200