

# LOCKS



SHEET METAL  
1/8 TURN  
PUSH  
CAM

## CAM LOCKS

Picture	Item No.	Key Changes	Master Key Option	Page
	N0990	40,000	-	439
	DCY-34	2000	866/1 Master Key	440
	3800S	300	300 Changes (1-Master Only)	440
	900	1 Million	2,520/1 Master Key	441
	SN-711-8	1500	-	441
	920BS	3200	120/1 Master Key	442
	CLI-31	108	-	442
	NAL	5000	-	443
	NAL-S	100	-	443
	910MS	47,000	1000/1 Master Key	444
	DIS-022R-D	1	-	444

## PUSH LOCKS

Picture	Item No.	Key Changes	Master Key Option	Page
	2100M	12	-	445
	2110M	12	-	445
	2100B	12	-	446
	2110B	12	-	446
	2150B	24	-	447
	2160M	24	-	447
	6300	96	-	448

## CABINET LOCK

Picture	Item No.	Key Changes	Master Key Option	Page
	2200QL	300	170/1 Master Key	448

# SHEET METAL CAM LOCK (MAGNETIC KEY SYSTEM)



**NO990**

LOCKS

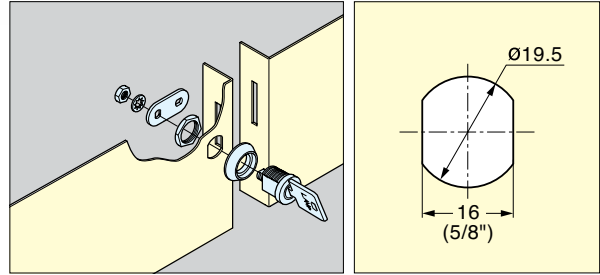
- Magnetic key system for high security.
- 90 degree cam rotation.
- Key is removable in locked position only.
- Maximum 40,000 key changes available.



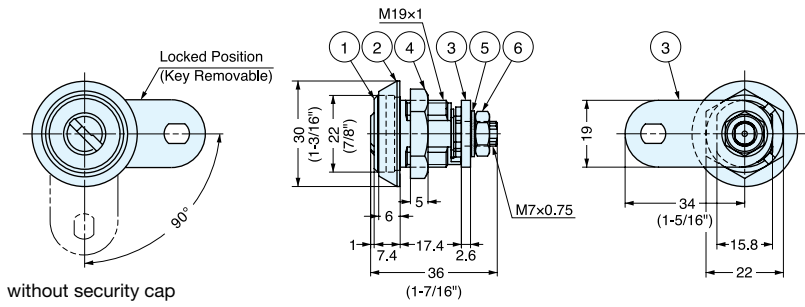
NO990R-B



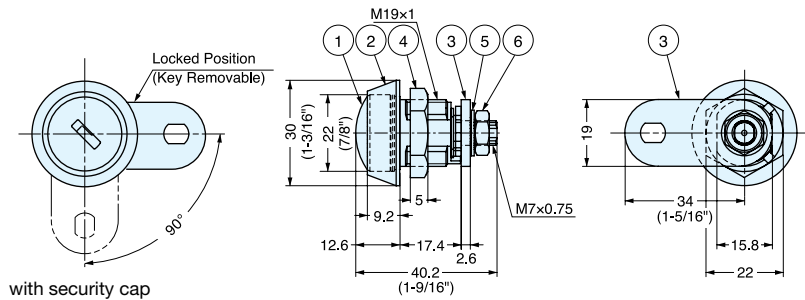
NO990VC-B



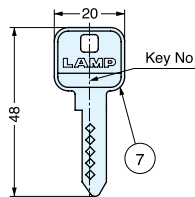
Cut Out Dimensions



NO990R-B



NO990VC-B



No.	Part Name	Material	Finish
①	Body	Brass	Chrome
②	Ring		
③	Cam	Steel	Yellow Zinc Chromate
④	Hex Nut	Zinc Alloy	Chrome
⑤	Washer	Steel	Yellow Zinc Chromate
⑥	Cam Nut		
⑦	Key	Brass/Ferrite	Nickel

Item No.	Metal Thickness (mm)	Security Cap	Keys Included	Weight	Box (pcs)
NO990R-B	0.8 ~ 8.0	Without security cap	2	103	1
NO990VC-B	(1/32" ~ 5/16")	With security cap		109	

SHEET METAL CAM LOCKS

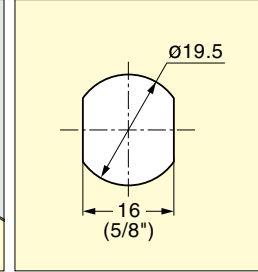
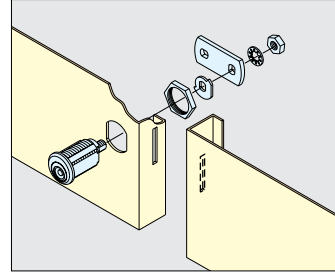
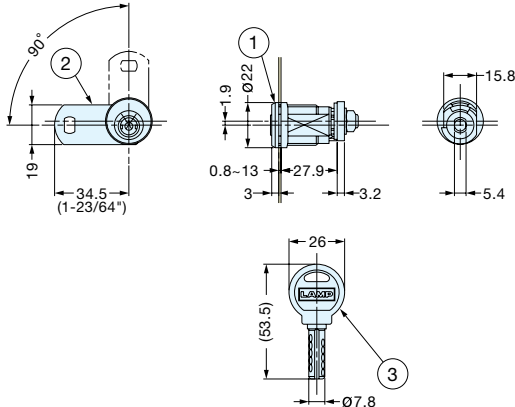
# SHEET METAL CAM LOCK



**DCY-34**



- High security with special key design.
- Reversible key.
- 90 degree cam rotation.
- Key is removable in locked position only. (Key works as a knob in unlocked position.)
- Universal direction - Cam direction changeable.
- 2,000 key changes available. Please specify keyed alike or keyed differently when ordering.
- Master key type available at surcharge. (Maximum 866 key changes per master key)



Cut Out Dimensions

No.	Part Name	Material	Finish
①	Body	Brass	Chrome
②	Cam	Copper	
③	Key	Brass	Nickel

Item No.	Key Changes	Keys Included	Weight (g)	Box (pcs)	Carton (pcs)
DCY-34	2000	2	101	10	35

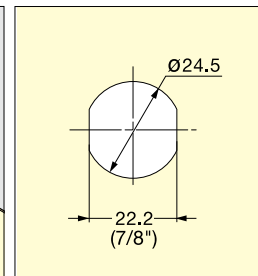
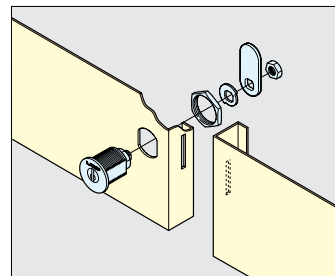
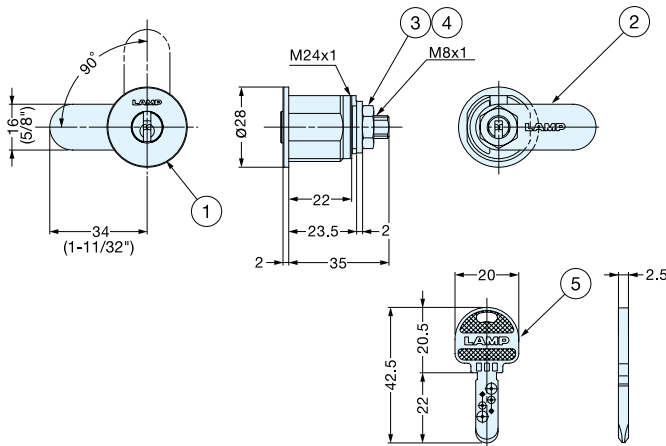
# SHEET METAL CAM LOCK



**3800S**



- High corrosion resistance.
- Reversible key.
- Key is removable in locked position only. (Key works as a knob in unlocked position.)
- Universal direction - Cam direction changeable.
- 300 key changes available. Please specify keyed alike or keyed differently when ordering.
- Master key type available at surcharge. (Maximum 300 key changes per master key)



Cut Out Dimensions

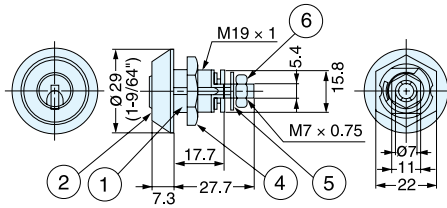
No.	Part Name	Material	Finish
①	Body	303 Stainless Steel	Satin
②	Cam	304 Stainless Steel	
③	Small Hex Nut	303 Stainless Steel	
④	Washer	304 Stainless Steel	
⑤	Key	Nickel Silver	-

Item No.	Key Changes	Keys Included	Weight (g)	Box (pcs)	Carton (pcs)
3800S	300	2	119	12	60

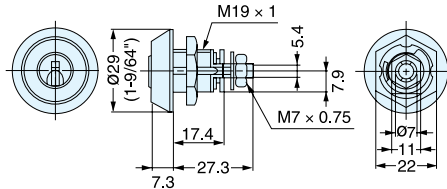
# SHEET METAL CAM LOCK



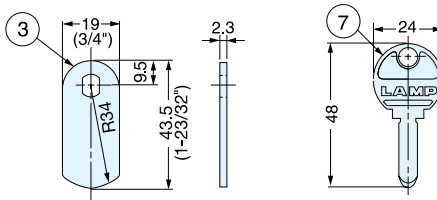
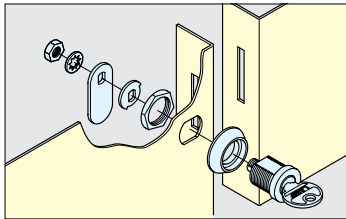
900



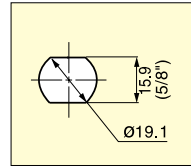
900 (Standard type)



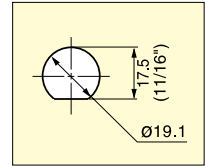
900MK (Master key type)



- Brass cylinder cam lock.
- Reversible key.
- 90 degree cam rotation.
- Key is removable in locked position only. (Key works as a knob in unlocked position.)
- 1 million key changes available. Please specify keyed alike or keyed differently when ordering.
- Master key type available at surcharge. (Maximum 2,520 key changes per master key.)



Cut Out Dimensions (Standard type)



Cut Out Dimensions (Master key type)

Item No.	Key Changes	Keys Included	Weight (g)	Box (pcs)	Carton (pcs)
900	1 million (2520/1Master Key)	2	120	12	60
900MK (with Master key)	1 million (2520/1Master Key)	2	120	12	60

No.	Part Name	Material	Finish
①	Body	Brass	Chrome
②	Ring		
③	Cam	Steel	Yellow Zinc Chromate
④	Hex Nut		Nickel
⑤	Washer		Yellow Zinc Chromate
⑥	Hex Nut		Nickel
⑦	Key	Brass	Nickel

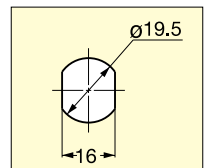
# SHEET METAL CAM LOCK



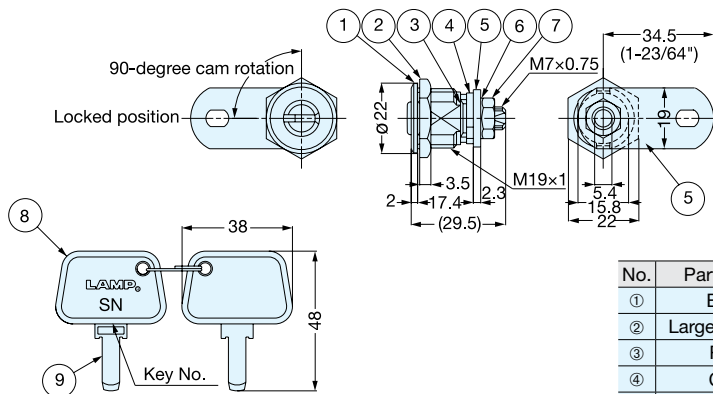
SN-711-8



- Brass cylinder cam lock.
- 90 degree cam rotation.
- Key is removable in locked position only.
- 1,500 key changes available. Keyed differently is available by special order only.
- \* Extreme pressure on key when in unlocked position may cause damage to the lock.



Cut Out Dimensions



No.	Part Name	Material	Finish/Color
①	Body	Brass	Chrome
②	Large Hex Nut	Steel	Yellow Zinc Chromate
③	Ring	304 Stainless Steel	Plain
④	Cam	Steel	Chromate
⑤	Plate		
⑥	Washer		
⑦	Small Hex Nut		
⑧	Cover	ABS	Black
⑨	Key	Brass	Nickel

Item No.	Key Changes	Keys Included	Weight (g)	Box (pcs)	Carton (pcs)
SN-711-8	1500	2	77	50	150

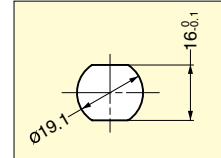
# SHEET METAL CAM LOCK



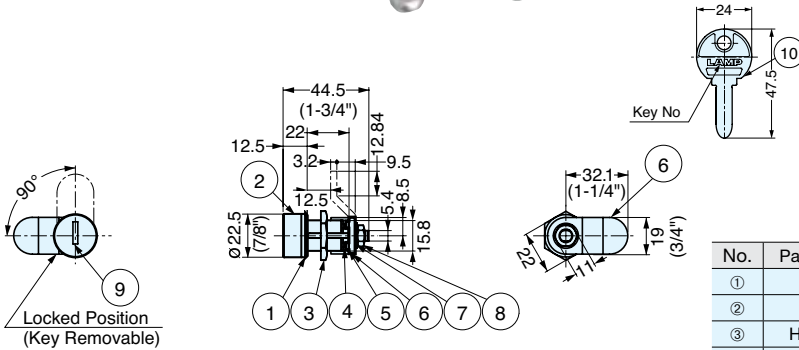
**920BS**



- Cylinder cam lock with water resistant cylinder door.
- Reversible key.
- 90 degree cam rotation.
- Key is removable in locked position only.
- Up to 2,000 key changes.
- Master key type available at surcharge. (Maximum 866 key changes per master key)



Cut Out Dimensions



No.	Part Name	Material	Finish
①	Body	Brass	Chrome
②	Cap		
③	Hex Nut	Steel	Yellow Zinc Chromate
④	Stop Washer	304 Stainless Steel	-
⑤	Plate	Steel	Yellow Zinc Chromate
⑥	Lock Plate		
⑦	Cam Plate		
⑧	Hex Nut		
⑨	Cylinder Door	304 Stainless Steel	-
⑩	Key	Brass	Nickel

Item No.	Metal Thickness (mm)	Keys Included	Weight (g)
920BS	0.8 ~ 12.0 (1/32" ~ 1/2")	2	97

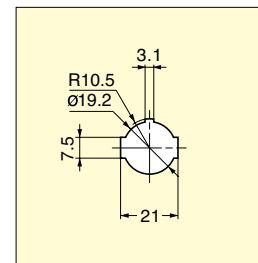
# SHEET METAL CAM LOCK (SNAP-IN TYPE)



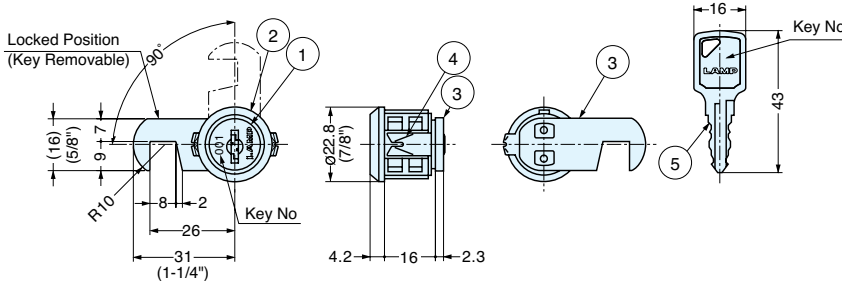
**CLI-31**



- Snap-in installation for sheet metal applications.
- 90 degree cam rotation.
- Key is removable in locked position only.
- Up to 108 key changes.



Cut Out Dimensions

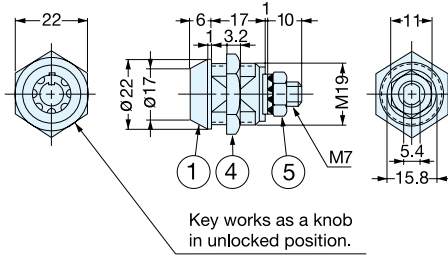


No.	Part Name	Material	Finish
①	Cylinder (Inner)	Zinc Alloy	Dull Chrome
②	Cylinder (Outer)		
③	Cam	Steel	Yellow Zinc Chromate
④	Clip	304 Stainless Steel	-
⑤	Key	Brass	Nickel

Item No.	Metal Thickness (mm)	Keys Included	Weight (g)
CLI-31	0.8 (1/32")	2	58

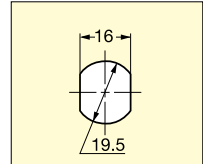
# SHEET METAL CAM LOCK

# NAL

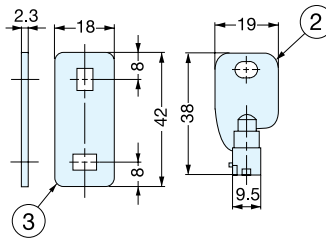
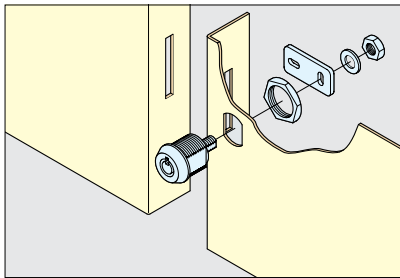


Key works as a knob in unlocked position.

- Brass cylinder tubular cam lock.
- 90 degree cam rotation.
- Key is removable in locked position only. (Key can be used as knob in unlocked position.)
- Please specify key no. or combination when ordering if necessary.
- 5,000 key changes available. Please specify keyed alike or keyed differently when ordering.



Cut Out Dimensions



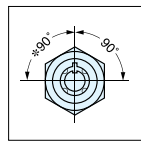
No.	Part Name	Material	Finish
①	Body	Brass	Chrome
②	Key	Steel	Nickel
③	Cam		Yellow Zinc Chromate
④	Hex Nut		
⑤			

Item No.	Door Thickness	Cylinder Diameter	Key Changes	Keys Included	Weight (g)	Box (pcs)	Carton (pcs)
NAL	Less Than 10 (25/64")	19.0 (3/4") / Width 15.8 (5/8")	5000	2	55	100	300

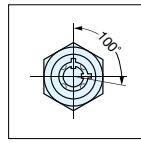
# SHEET METAL MINI CAM LOCK



# NAL-S



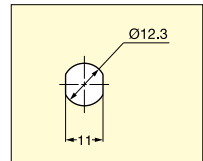
One slot type NAL-S-1



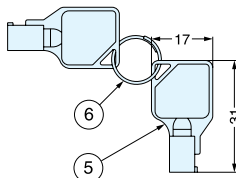
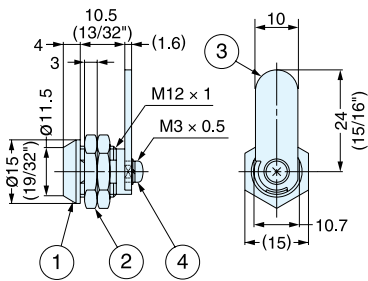
Two slot type NAL-S-2

Turn the cam (③) over to use NAL-S as a counterclockwise turn lock.

- Mini zinc alloy cylinder cam lock for sheet metal doors.
- 90 degrees cam rotation.
- Cam is reversible.
- NAL-S-1: Key withdrawals in locked position only. (Key works as a knob in unlocked position.)
- NAL-S-2: Key withdrawals in both locked and unlocked positions.
- Keyed differently is available. (special order only)
- \* Cam should be horizontal when unlocked.
- \* Not suitable for compression latch situation.
- \* Pressure to cam may cause damage to cylinder.
- 100 key changes available.



Cut Out Dimensions



No.	Part Name	Material	Finish
①	Body	Zinc Alloy	Chrome
②	Hex Nut	Steel	Nickel
③	Cam		Zinc
④	Screw		Nickel
⑤	Key		
⑥	Key Ring	Steel	

Item No.	Number of Slot (s)	Cylinder Diameter	Key Changes	Keys Included	Weight (g)	Box (pcs)	Carton (pcs)
NAL-S-1	1	12.0 (15/32") / Width 10.7 (27/64")	100	2	25	100	500
NAL-S-2	2						

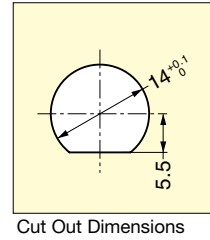
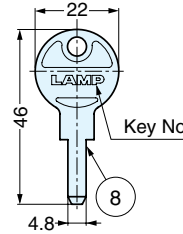
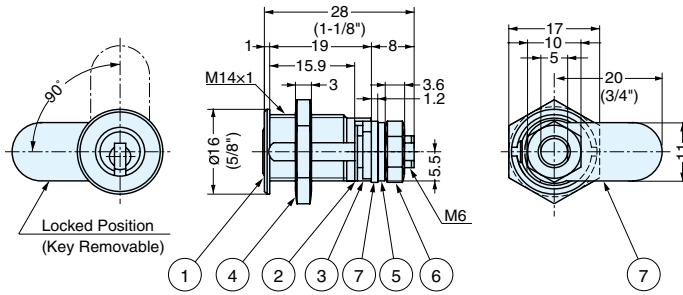
# SHEET METAL CAM LOCK



**910MS**



- Mini cylinder lock for sheet metal applications.
- Reversible key.
- 90 degree cam rotation.
- Key is removable in locked position only.
- Up to 47,000 key changes available.
- Master key available at surcharge.  
(Maximum 1,000 key changes per master key)



Item No.	Metal Thickness	Keys Included	Weight (g)
910MS	0.8 ~ 12.0 (1/32" ~ 1/2")	2	25.5

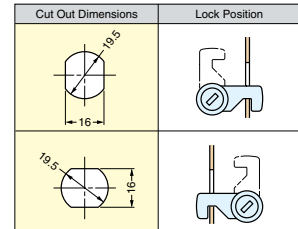
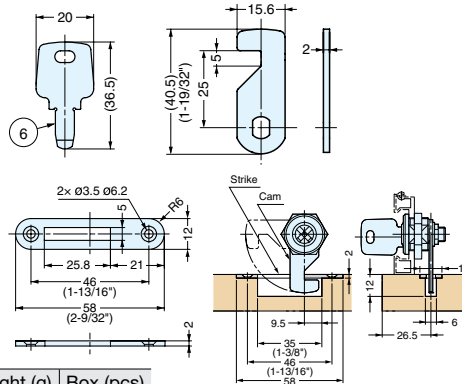
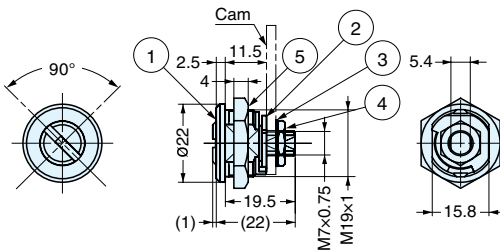
No.	Part Name	Material	Finish
①	Body	Brass	Chrome
②	Ring	Steel	Yellow Zinc Chromate
③	Stop Washer		
④	Hex Nut		
⑤	Plate		
⑥	Cam Nut		
⑦	Cam	Brass	Chrome
⑧	Key		

# CAM LOCK

**DIS-022R-D**



- Thin cylinder lock with dimple key.
- Reversible key can be removed when locked and unlocked (90° rotation).
- Cam and strike are sold separately.
- Stainless cam DIS-010 is sold separately.
- Stainless strike DIS-011 is sold separately.



■ Body

Item No.	Item Name	Key Type	Door Thickness	Weight (g)	Box (pcs)
150-018-944	DIS-022R-D	Key Alike	Max. 5	50	50

■ Cam (Sold Separately)

Item No.	Item Name	Material	Finish	Weight (g)
180-018-598	DIS-010	Stainless Steel (SUS304)	Polished	7

■ Strike (Sold Separately)

Item No.	Item Name	Material	Finish	Weight (g)
180-018-599	DIS-011	Stainless Steel (SUS304)	Polished	7

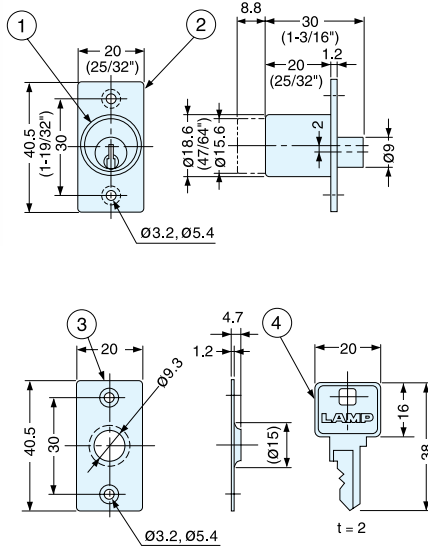
No.	Part Name	Material	Finish
①	Body	Brass	Chrome
②	Cam	Steel (SPCC)	Yellow Zinc Chromate
③	Washer	Steel	
④	M7 Hex Nut		
⑤	M9 Hex Nut	Zinc Alloy (ZDC)	
⑥	Key	Brass	Nickel



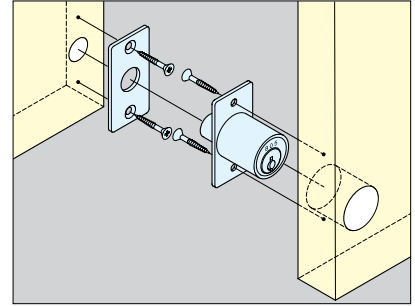
# PUSH LOCK



2100M



- Zinc alloy cylinder push lock for sliding doors.
- Push cylinder to lock.
- Cylinder Length: 20 mm (25/32")
- Cylinder Diameter: 18.6 mm (47/64")
- Master key NOT available.
- Keys can be shared with other 2100 series locks.
- 12 key changes available. Please specify keyed alike or keyed differently when ordering.



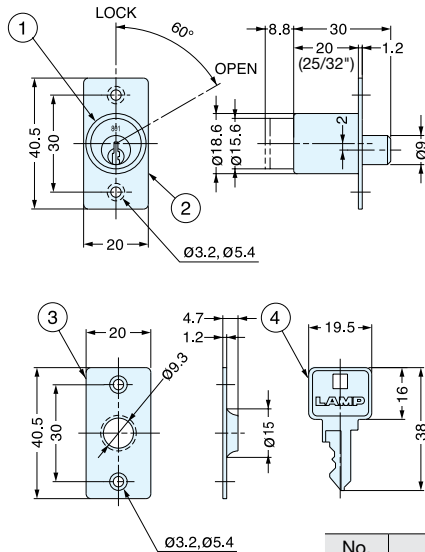
Item No.	Door Thickness	Weight (g)	Box (pcs)	Carton (pcs)
2100M	20 (25/32")	60	12	240

No.	Part Name	Material	Finish
①	Body	Zinc Alloy	Satin Nickel
②	Mounting Plate	Brass	Nickel
③	Counterplate		
④	Key		

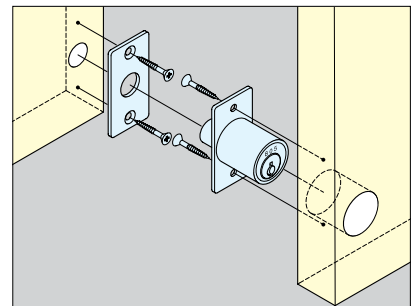
# PUSH LOCK



2110M



- Zinc alloy cylinder push lock for sliding doors.
- Key is required to lock and to unlock.
- To Lock: Insert key and turn 60° clockwise.
- Push-in the cylinder and turn the key 60° back.
- Key is removable in both locked and un-locked position.
- Cylinder Length: 20 mm (25/32")
- Cylinder Diameter: 18.6 mm (47/64")
- Master key NOT available.
- Keys can be shared with other 2100 series locks.
- 12 key changes available. Please specify keyed alike or keyed differently when ordering.



Item No.	Door Thickness	Weight (g)	Box (pcs)	Carton (pcs)
2110M	20 (25/32")	60	12	240

No.	Part Name	Material	Finish
①	Body	Zinc Alloy	Nickel
②	Mounting Plate	Brass	
③	Counterplate		
④	Key		

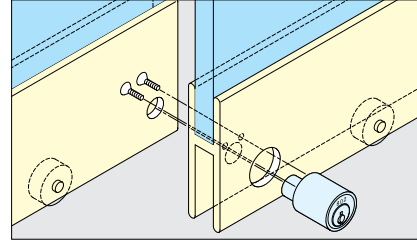
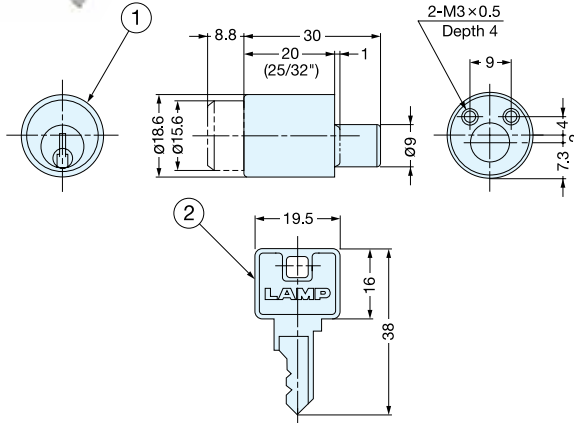
# PUSH LOCK



**2100B**



- Zinc alloy cylinder push lock for metal-framed glass doors or sheet metal double sliding doors.
- Push cylinder to lock.
- Cylinder Diameter: 18.6 mm (47/64")
- Keys can be shared with other 2100 series locks.
- 12 key changes available. Please specify keyed alike or keyed differently when ordering.



No.	Part Name	Material	Finish
①	Body	Zinc Alloy	Satin Nickel
②	Key	Brass	Nickel

Item No.	Metal Frame Thickness	Cylinder Diameter	Key Changes	Keys Included	Weight (g)	Box (pcs)	Carton (pcs)
2100B	20 (25/32")	18.6 (47/64")	12	2	50	40	400

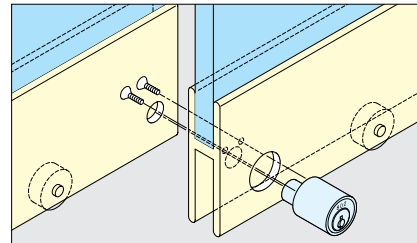
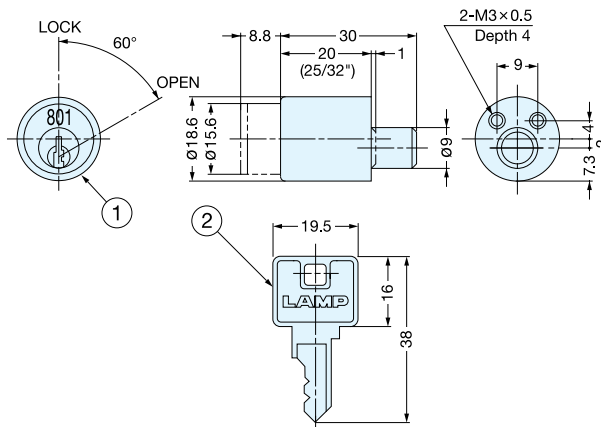
# PUSH LOCK



**2110B**



- Zinc alloy cylinder push lock for metal-framed glass doors or sheet metal double sliding doors.
- Key is required to lock and to unlock.
- To Lock: Insert key and turn 60° clockwise.
- Push-in the cylinder and turn the key 60° back.
- Cylinder Diameter: 18.6 mm (47/64")
- Keys can be shared with other 2100 series locks.
- 12 key changes available. Please specify keyed alike or keyed differently when ordering.



No.	Part Name	Material	Finish
①	Body	Zinc Alloy	Nickel
②	Key	Brass	Nickel

Item No.	Metal Frame Thickness	Cylinder Diameter	Key Changes	Keys Included	Weight (g)	Box (pcs)	Carton (pcs)
2110B	20 (25/32")	18.6 (47/64")	12	2	50	40	400

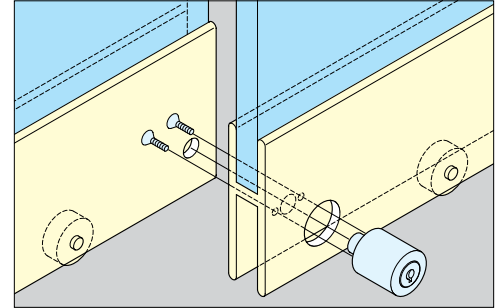
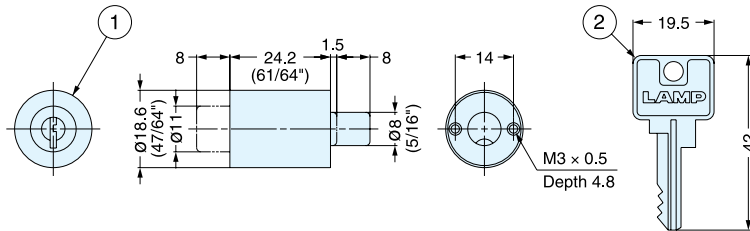
# PUSH LOCK



2150B



- Zinc alloy cylinder push lock for metal-framed glass door or sheet metal double sliding doors.
- Push cylinder to lock.
- Cylinder Diameter: 18.6 mm (47/64")
- Master key NOT available.
- 24 key changes available.



Item No.	Metal Frame Thickness	Weight (g)	Box (pcs)	Carton (pcs)
2150B	24 (15/16")	50	24	240

No.	Part Name	Material	Finish
①	Body	Zinc Alloy	Nickel
②	Key	Brass	

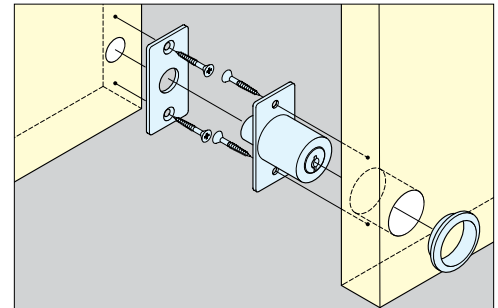
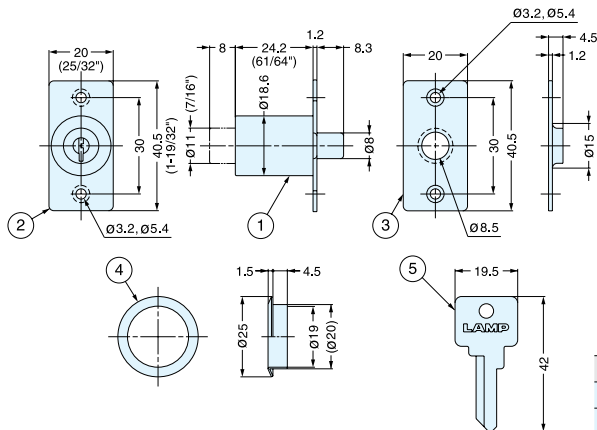
# PUSH LOCK



2160M



- Zinc alloy cylinder push lock for wooden doors.
- Key is required to lock and to unlock.
- Cylinder Diameter: 18.6 mm (47/64")
- Master key NOT available.
- 24 key changes available.



Item No.	Door Thickness	Weight (g)	Box (pcs)	Carton (pcs)
2160M	24 (15/16")	50	24	240

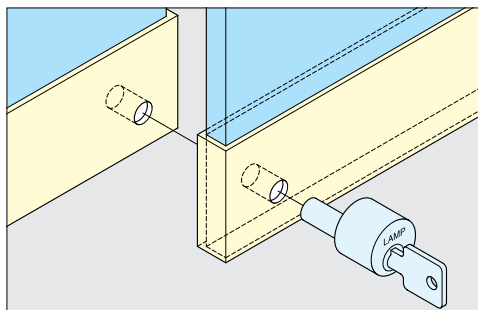
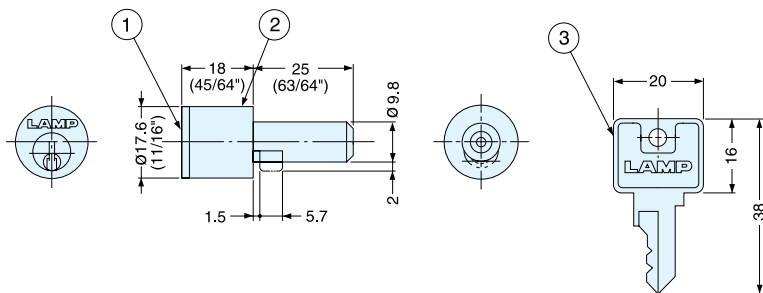
No.	Part Name	Material	Finish
①	Cylinder	Zinc Alloy	Nickel
②	Plate	Brass	
③	Counterplate		
④	Ring		
⑤	Key		

# PUSH LOCK

6300



- Zinc alloy cylinder push lock for metal-framed glass doors.
- Easy installation. 10 mm hole required on door.
- Cylinder Diameter: 17.6 mm (11/16")
- Bolt Length: 25 mm (63/64")
- Bolt Diameter: 9.8 mm (25/64")
- 96 key changes available. Please specify keyed alike or keyed differently when ordering.
- Master key NOT available.
- For material thickness is 1.2 mm.



No.	Part Name	Material	Finish
①	Body	Zinc Alloy	Satin Nickel
②	Cover	Brass	Nickel
③	Key		

Item No.	Metal Frame Thickness	Cylinder Diameter	Key Changes	Keys Included	Weight (g)	Box (pcs)	Carton (pcs)
6300	19 (3/4")	17.6 (11/16")	96	2	50	24	240

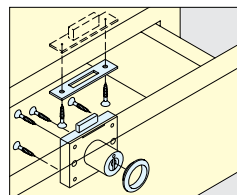
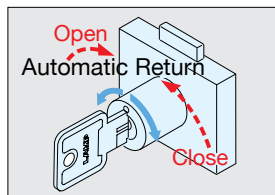
# CABINET LOCK (W/INDICATOR)



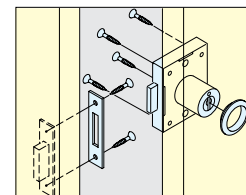
2200QL



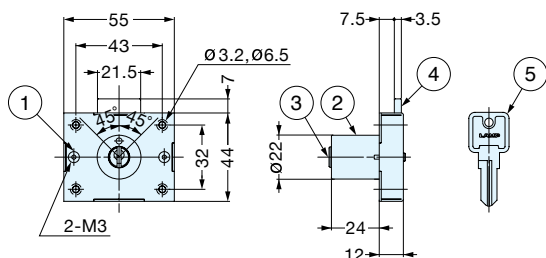
- Only 1/8 turn is needed to unlock/lock the door.
- Key automatically returns to original position making it easy to remove the key.
- With indicator.
- 300 key changes available. Please specify keyed alike or keyed differently when ordering.
- Master key type available at surcharge (Maximum 170 key changes per master key)



Installation for drawer



Installation for right - hand door



Item No.	Door Thickness	Weight (g)	Box (pcs)	Carton (pcs)
2200QL-24	24 (15/16")	208	12	60

No.	Part Name	Material	Finish
①	Body	304 Stainless Steel	Plain
②	Cylinder (Outer)	Brass	Satin Nickel
③	Cylinder (Inner)		
④	Dead Bolt	Zinc Alloy	Nickel
⑤	Key	Brass	