



Elevate  
Your  
Design

■ International Builders,  
Kitchen & Bath Shows

■ @sugatsuneamerica

■ ■  
**SUGATSUNE**  
■ ■



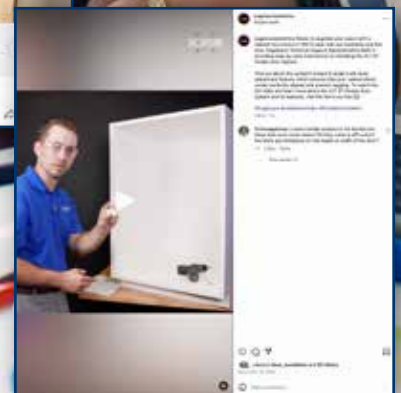
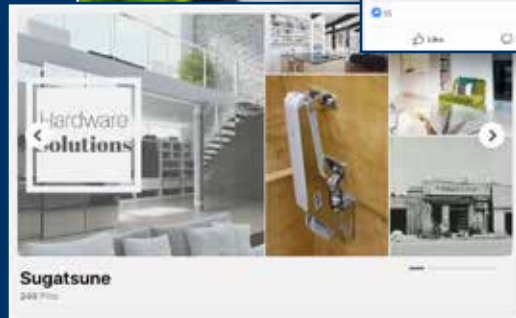


# MORE Ways to Connect



## Social Media and Beyond

Now more than ever, it is important to stay connected to see and share the latest in products and projects. Connect with us on your favorite social media platform, sign-up for our newsletters, visit our website regularly and subscribe to our YouTube channel for the latest Sugatsune news.



Scan the QR to sign-up to our email list.

## OUR VIRTUAL SHOWROOM

We're pleased to bring you our all-new virtual showroom, designed to show hardware products such as hinges, hooks, lid stays, and door systems applied in various realistic living and work environments. The Sugatsune showroom features three environments, a small living space, manufacturing space, and medical area in addition to a lobby that allows customers to move around and play with featured hardware products. Paired with specification information, videos and other properties, visitors can experience and learn about new products as if they were going to a trade show or showroom.



SCAN TO EXPERIENCE

[www.sugatsune.com/virtual-showroom](http://www.sugatsune.com/virtual-showroom)



Here we are, at KBIS again, and in this post-pandemic world every opportunity to get together counts. This year we have some new and exciting hardware to share. Starting with our new stainless steel concealed hinge, the **HGS3D, 3-Way Adjustable Concealed Hinge** that is sure to add style to any outdoor environment. We also have new versions of our pocket door systems for cabinets, the **ALT-ST System** available in two configurations, fully customizable to fit most cabinet doors and featuring adjustable soft close and a unique position adjustability that prevents the door from sagging. We will also featured, our award-winning **Flush Sliding Door System, The MFU1200** and the **LIN-X100 Lateral Door System**, two favorites that have wowed the curiosity of many at the KBIS Shows. Be sure to stay in touch with us to receive more information about new products throughout the year.





# MonoFlat UNISON

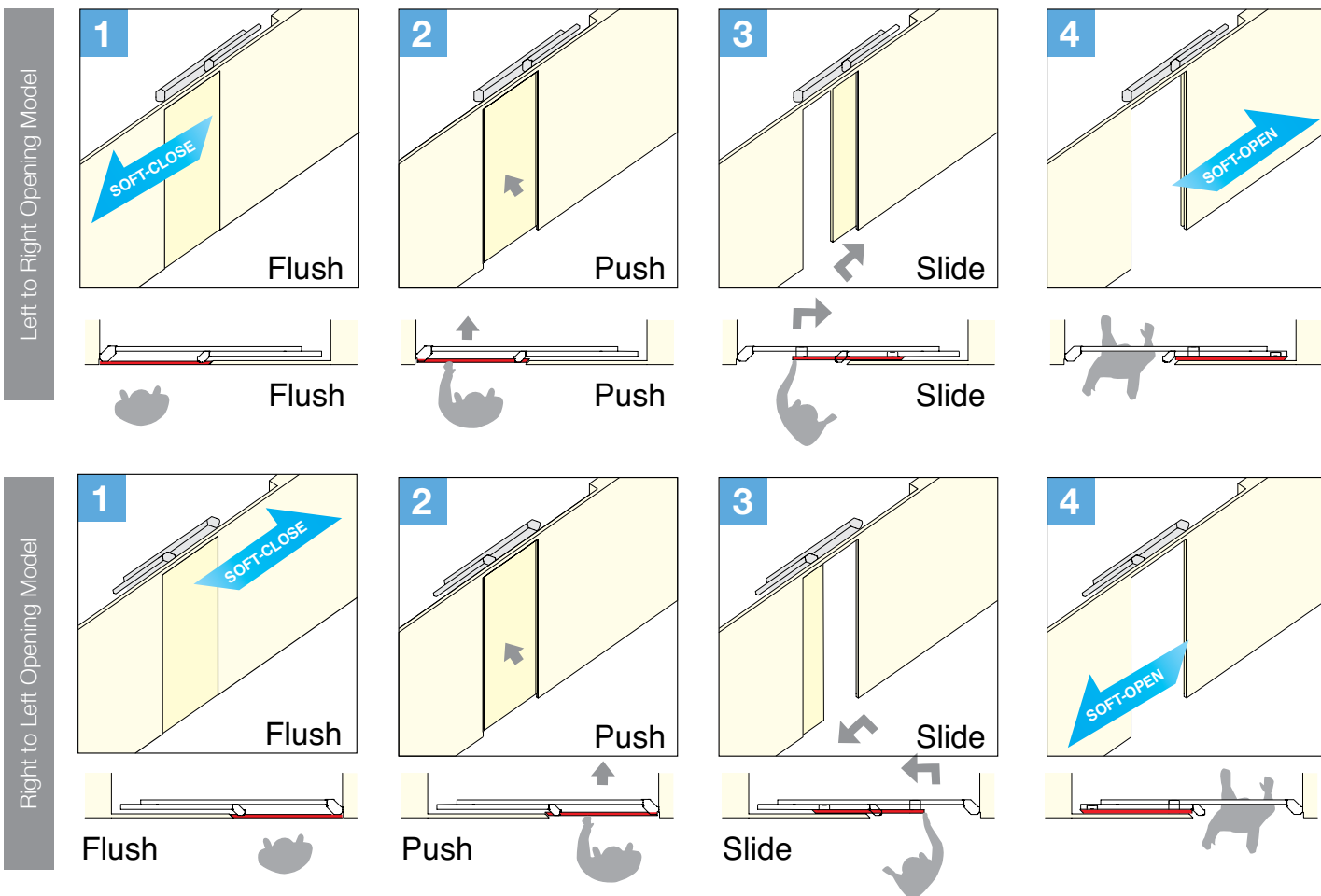
	MFU1200-40	MFU1200-70
Door Width	31-1/2" ~ 47-1/4" (800~1200 mm)	
Door Height	Max. 106-5/16" (2700 mm)	
Door Thickness	1-3/16" ~ 1-9/16" (30-40 mm)	
Door Weight	44 ~ 88 lbs (20 ~ 40 kg)	88 ~ 154 lbs (40 ~ 70 kg)
Adjustability	Depth: ±3.5 mm (1/8")	
	Horizontal: ±4 mm (3/16")	
	Vertical: ±4 mm (3/16")	

- Designed to CLOSE FLUSH against surrounding walls, providing a sleek appearance.
- UNIQUE MOVEMENT: Recesses in, and then slides sideways in a smooth continuous motion.
- CLEAN APPEARANCE: No floor tracks required on MFU-System.
- Excellent performance, reliable and fully adjustable.
- Features two-way damper to avoid slamming during opening or closing.
- DURABILITY: High durability, passed 100,000 open/close cycle test (private).



Item No.	Description	Door Weight
MFU1200-40-L (Light duty Left)	Left to Right Opening	44 ~ 88 lbs (20 ~ 40 kg)
MFU1200-40-R (Light duty Right)	Right to Left Opening	
MFU1200-70-L (Heavy duty Left)	Left to Right Opening	88 ~ 154 lbs (40 ~ 70 kg)
MFU1200-70-R (Heavy duty Right)	Right to Left Opening	





\* The door cannot be opened from the inside without a handle (not included).



reddot award 2017  
winner



LIN-X1000



### FULL SIZE DOORS LIN-X1000

- Lateral Opening Mechanism: Allows doors to swing out laterally in a small radius, ideal for tight front space application.
- Heavy Duty: Max. weight 198 lbs.(90 kg).
- 4-Way Adjustable: Vertical, horizontal, depth and parallel adjustment.
- Smooth Movement: Built-in dampers provide a smooth soft-closing movement.
- Use in various applications: Ideal for closet entryways, large pantry doors, storage, hidden rooms, etc.
- Hardware is non-handed: can be used for left-opening or right-opening doors.
- Designed for overlay installation, but can be installed flush with the surrounding cabinet or wall. Please contact customer service for details on inset installations.



GET MORE DETAILS

Door Width	29-1/2" ~ 43-5/16" (750 ~ 1100 mm)
Max. Door Height	117-5/16" (2980 mm)
Door Thickness	15/16" ~ 1-9/16" (24 ~ 40 mm)
Max. Door Weight	198 lbs (90 kg/door)

Item No.	Overlay	Material	Finish
LIN-X1000/WT-S	3/4"	Steel,	White
LIN-X1000/BL-S	(19 mm)	Aluminum	Black



## Which System Works Best for You?

### FOR DOORS

#### LIN-X1000

Door Width:	29-17/32" ~ 43-5/16" (750~1100 mm)
Door Height:	Max. 117-21/64" (2980 mm)
Door Thickness:	15/16" ~ 1-37/64" (24~40 mm)
Door Weight:	Max. 198 lbs (90 kg) / Door

FOR MORE DETAILS  
General Catalog Pg. 561

#### LIN-X6LIN-X800/LIN-X800H

Door Width:	29-17/32" ~ 33 7/16" (750~850 mm)
Door Height:	Max. 94-1/2" (2400 mm)/117-5/16" (2980 mm)
Door Thickness:	15/16" ~ 1-9/16" (24~40 mm)
Door Weight:	Max. 88 lbs (40 kg) / Door

### FOR CABINETS

#### LIN-X450

Door Width:	15-3/4" ~ 19-11/16" (400~500 mm)
Door Height:	Max. 94-1/2" (2400 mm)
Door Thickness:	5/8" ~ 15/16" (15~24 mm)
Door Weight:	Max. 37.5 lbs (17kg) / Door

FOR MORE DETAILS  
General Catalog Pg. 592

#### LIN-X600

Door Width:	21-5/8" ~ 25-9/16" (550~650 mm)
Door Height:	Max. 94-1/2" (2400 mm)
Door Thickness:	5/8" ~ 15/16" (15~24 mm)
Door Weight:	Max. 52.8 lbs (24kg) / Door

### SERIES FEATURES

- Easy Installation with 4-Way Adjustability
- Space-Saving with Lateral Movement
- Full Access to Corner Cabinets
- Soft, Self-Closing Movement
- No Track or Rails Needed
- Allows Door and Cabinets to Stop Freely

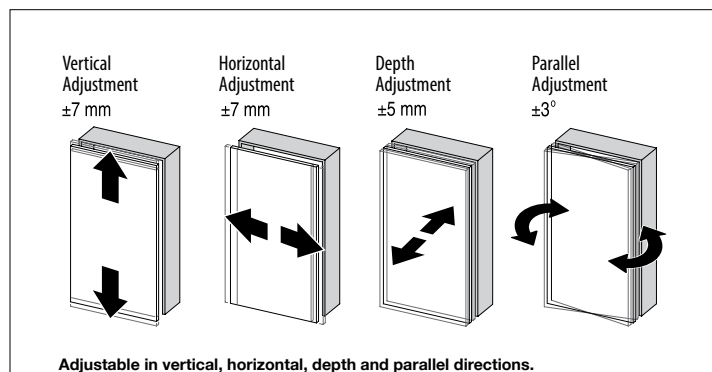


LIN-X800

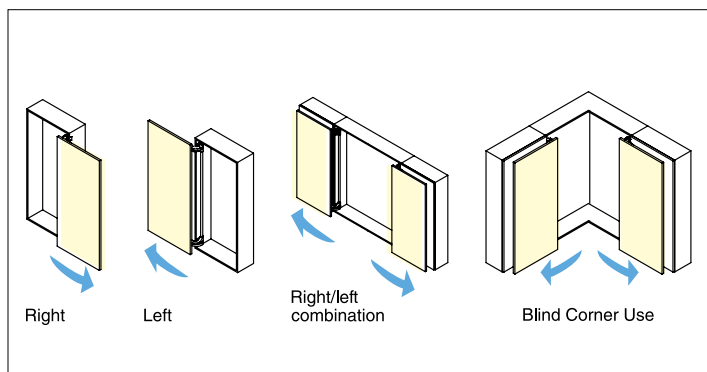


LIN-X450

### Adjustability



### Installation Examples



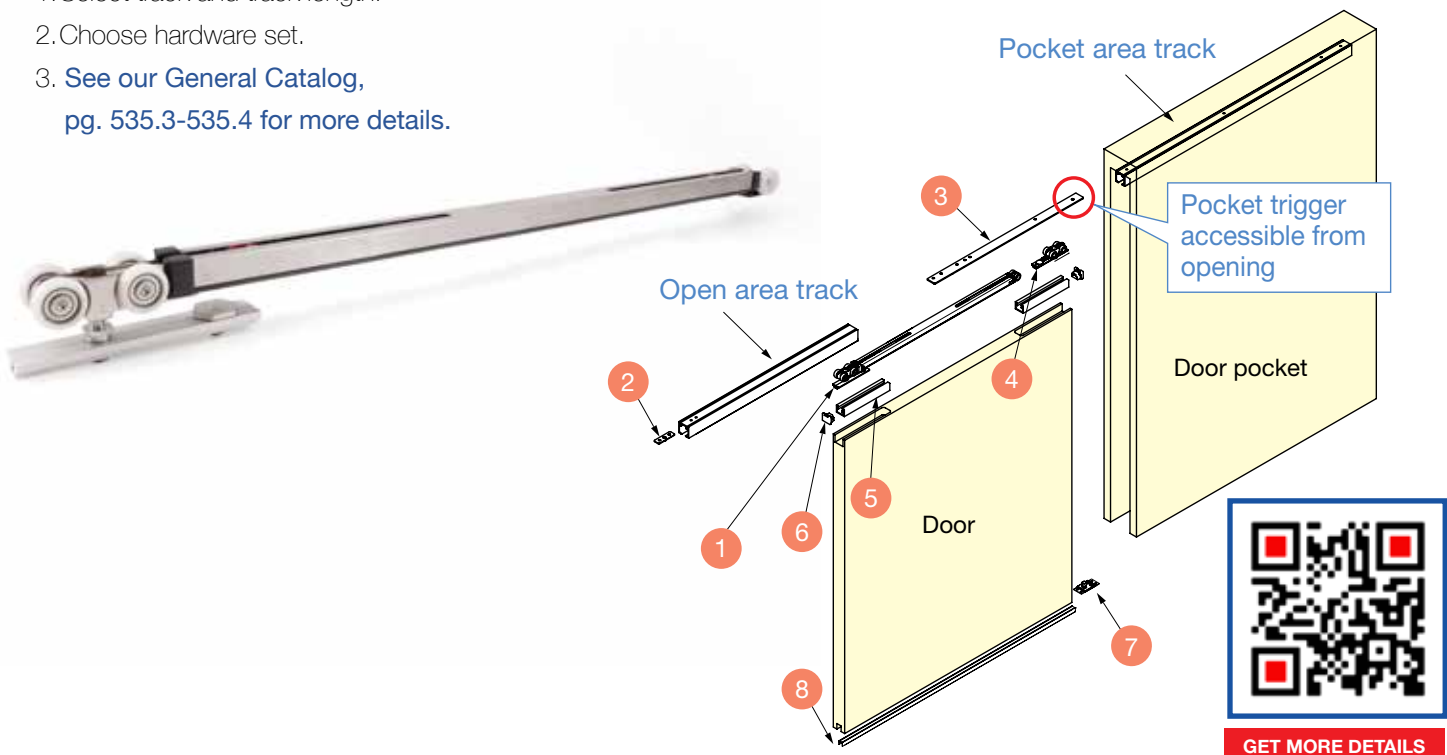


	FD80DHCHP-PD Recessed Mount
Roller	Top Recessed on Door
Track Mounting	Ceiling
Door Weight	Min. 77 lbs (35 kg)
	Max. 176 lbs (80 kg)
Door Thickness	Recessed: 1-5/16" (34 mm)
Door Width	If less than 98-7/16" (2500 mm) 30-7/8" ~ 59-1/16" (784 ~ 1500 mm) If greater than 98-7/16" (2500 mm) 33-7/16" ~ 59-1/16" (850 ~ 1500 mm)
Door Height	Max. 106-5/16" (2700 mm)

■ How to order:

1. Select track and track length.
2. Choose hardware set.
3. See our General Catalog, pg. 535.3-535.4 for more details.

- Load capacity: 176 lbs (80 kg).
- Use with removable jamb/trim/casing.
- Easy installation and maintenance.
- Built-in soft-close and soft-open damper.
- Two-rail system, allows all components to be fixed or adjusted through the opening without breaking the pocket.
- Rollers are recessed mounted to top of door.
- High durability, passed 200,000 cycle test (private).
- For interior use only.



GET MORE DETAILS



## SURFACE MOUNT POCKET DOOR SYSTEM

FD80DHCMP-PD



	FD80DHCMP-PD Surface Mount
Roller	Top Surface on Door
Track Mounting	Ceiling
Door Weight	Min. 77 lbs (35 kg)
	Max. 176 lbs (80 kg)
Door Thickness	Surface: 1-3/16" (30 mm)
Door Width	If less than 98-7/16" (2500 mm) 30-7/8" ~ 59-1/16" (784 ~ 1500 mm)
	If greater than 98-7/16" (2500 mm) 33-7/16" ~ 59-1/16" (850 ~ 1500 mm)
Door Height	Max. 106-5/16" (2700 mm)

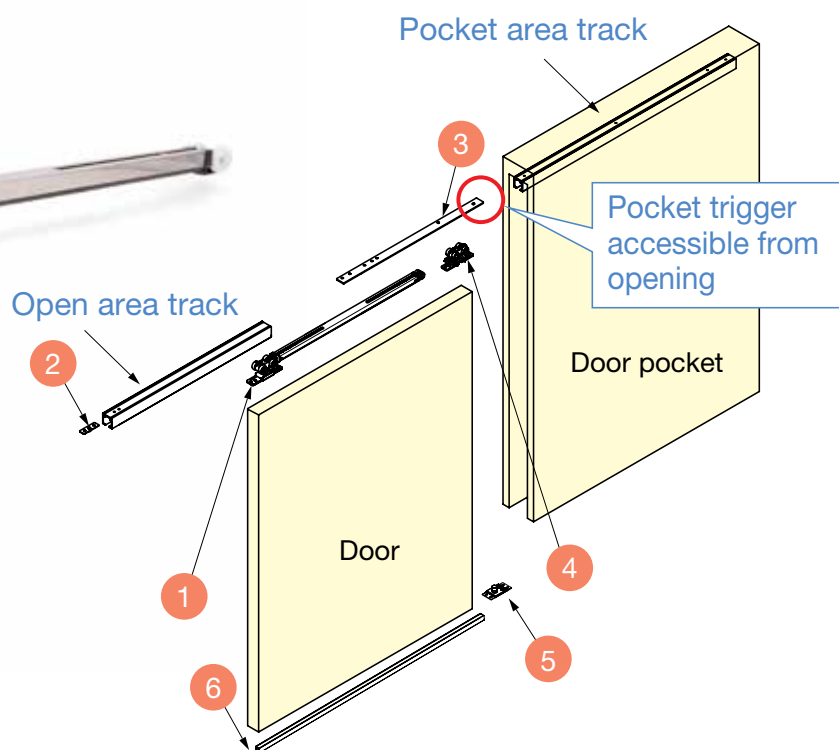
- How to order:

1. Select track and track length
2. Choose hardware set
3. See our General Catalog, pg. 535.1-535.2 for more details.

- Load capacity: 176 lbs (80 kg).
- Use with removable jamb/trim/casing.
- Easy installation and maintenance.
- Built-in soft-close and soft-open damper.
- Two-rail system, allows all components to be fixed or adjusted through the opening without breaking the pocket.
- Rollers are surface mounted to top of door.
- High durability, passed 200,000 cycle test (private).
- For interior use only.



INSTALLATION



# The HES3D Concealed Hinge



## Cladded Doors HES3D-W190\*

Min. Door Thickness: 1-5/8" (42 mm)

Max. Door Dimensions: 96-1/16" x 36" (2440 x 915 mm)

Max. Door Weight: 220 lbs (99 kg)/2 pcs or 275 lbs (125 kg)/3 pcs

Finishes: Dull Chrome, Dull Nickel, White, Polished Brass, Polished Nickel, Matte Black.

**\*UL Listed with  
3 Hour Fire Rating**

FOR MORE DETAILS  
General Catalog Pg. 185.1



## HES3D-E190\*

Min. Door Thickness: 1-1/2" (38 mm)

Max. Door Dimensions: 94-1/2" x 35-7/16" (2400 x 900 mm)

Max. Door Weight: 220 lbs (99 kg)/2 pcs or 275 lbs (125 kg)/3 pcs

Finishes: Dull Chrome, Dull Nickel, Polished Nickel, Matte Black, White

**\*UL Listed with  
3 Hour Fire Rating**

FOR MORE DETAILS  
General Catalog Pg. 184



## HES3D-E160

Min. Door Thickness: 1-3/8" (35 mm)

Max. Door Dimensions: 94-1/2" x 35-7/16" (2400 x 900 mm)

Max. Door Weight: 121 lbs (55 kg)/2 pcs or 154 lbs (70 kg)/3 pcs

Finishes: Dull Chrome, Dull Nickel, Matte Black

FOR MORE DETAILS  
General Catalog Pg. 183



## HES3D-120

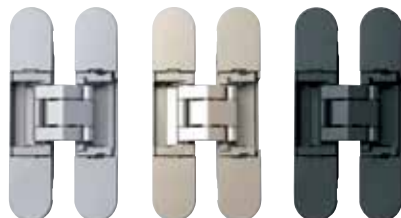
Min. Door Thickness: 1-1/8" (29 mm)

Max. Door Dimensions: 94-1/2" x 35-7/16" (2400 x 900 mm)

Max. Door Weight: 66 lbs (30 kg)/2 pcs or 88 lbs (40 kg)/3 pcs

Finishes: Dull Chrome, Dull Nickel, Matte Black

FOR MORE DETAILS  
General Catalog Pg. 182



## HES3D-90

Min. Door Thickness: 15/16" (23 mm)

Max. Door Dimensions: 59-1/16" x 23-5/8" (1500 x 600 mm)

Max. Door Weight: 26 lbs (12 kg)/2 pcs or 35 lbs (16 kg)/3 pcs

Finishes: Dull Chrome, Dull Nickel, Matte Black

FOR MORE DETAILS  
General Catalog Pg. 310



## HES3D-70

Min. Door Thickness: 3/4" (19 mm)

Max. Door Dimensions: 47-1/4" x 23-5/8" (1200 x 600 mm)

Max. Door Weight: 19.8 lbs (9 kg)/2 pcs or 26.4 lbs (12 kg)/3 pcs

Finishes: Dull Chrome, Dull Nickel, Matte Black

FOR MORE DETAILS  
General Catalog Pg. 309



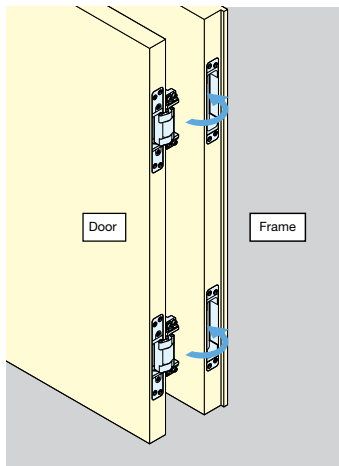
See page 42 for full details and more selection.

# 3-Way Adjustable Concealed Hinges

## The HES3D Series

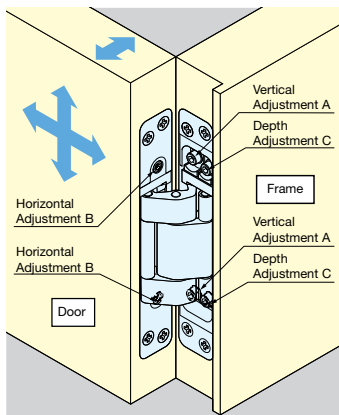
### EASY INSTALLATION

Here's why, Sugatsune's HES3D series hinges incorporate a feature that allows the hinge leaves to separate. One leaf is installed in the door frame, while the other is installed into the door itself. You can then install and adjust the door at any time.



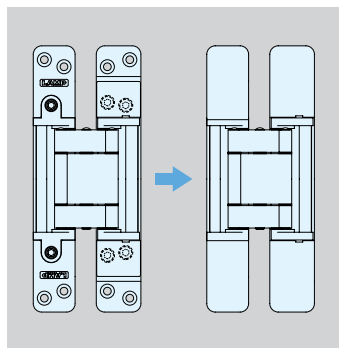
### 3-WAY ADJUSTABLE FEATURE

HES3D series hinges have vertical, horizontal, and depth adjustment features, so if your door isn't perfectly aligned on the first try, this feature allows adjustments in each direction.



### OVERALL LOOK

HES3D series hinges feature squared shape and round corners, comes with cover caps to hide all screws on the face of the hinge, so when your hinge is installed, it has a clean, sleek appearance.



**UL® LISTED**

HES3D-E190 and HES3D-W190 are UL® Listed with **3 HOUR FIRE RATING.**



# Totally Invisible Doors

The mighty **ML-ZN80 Push-To-Open Door Latch** featuring a strong 11 lbs push force, ideal for large doors, and it features a magnet that allows tolerance with 1.5° swivel. The hidden mounting screw design offers a clean appearance and easy installation, available in two finishes, helping you achieve a truly concealed door, without the need for handles.

**The only Push-To-Open Door Latch of this category, available in the market.**

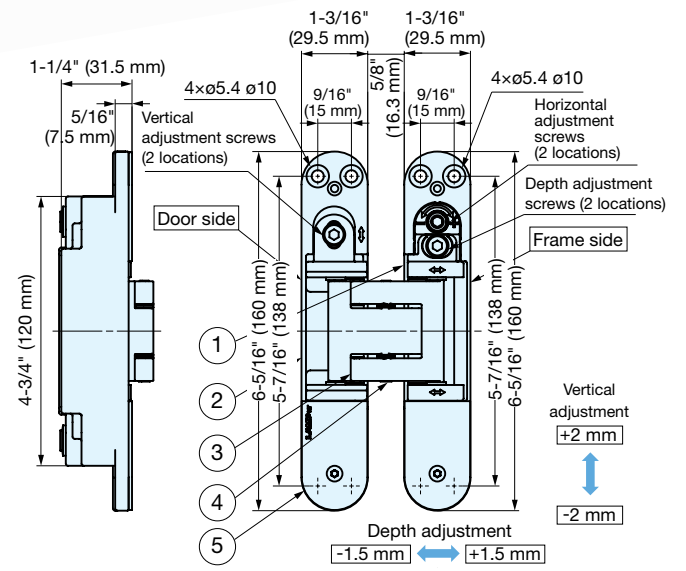


Item No.	Magnetic Force	Push Force	Materials	Finish/Color
ML-ZN80-WT	6.6 lbs	11 lbs	Zinc, Plastic, Stainless Steel	White
ML-ZN80-BL				Black

# STAINLESS STEEL CONCEALED HINGE



## HGS3D-S160



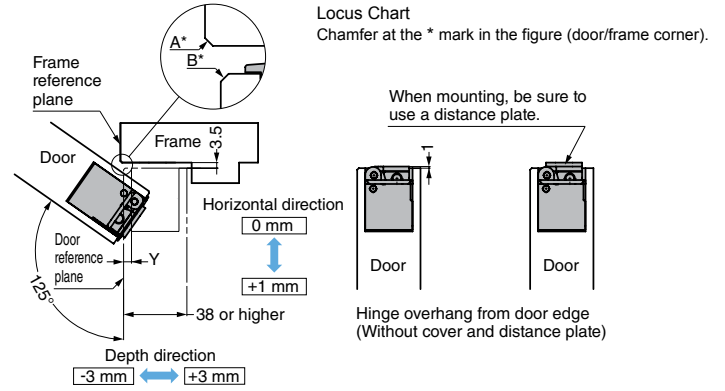
- 304 stainless steel construction, corrosion resistant.
- 3-way adjustable: vertical, horizontal and depth.
- Hinge leaves are designed to separate and feature a temporary hold function making it easier to hang doors.
- Durability: passed 300,000 cycle test (private).
- Includes round screw covers for a clean finish. Square covers sold separately (HGS3D-S160SH-SQPLATE).
- 3 hinges can support doors weighing up to 220 lbs.

Item No.	Finish	Door Specs			Load Capacity		Opening Angle
		Width	Height	Thickness	2 pcs	3 pcs	
HGS3D-S160SH	Satin	Max. 36" (915 mm)	Max. 96" (2438 mm)	Min. 1-7/16" (36 mm)	176 lbs (80 kg)	220 lbs (100 kg)	180°

No.	Part Name	Material	Finish
1	Body	304 Stainless Steel	Plain
2	Base Frame		
3	Arm		
4	Rotating Shaft		
5	Screw Cover		Satin

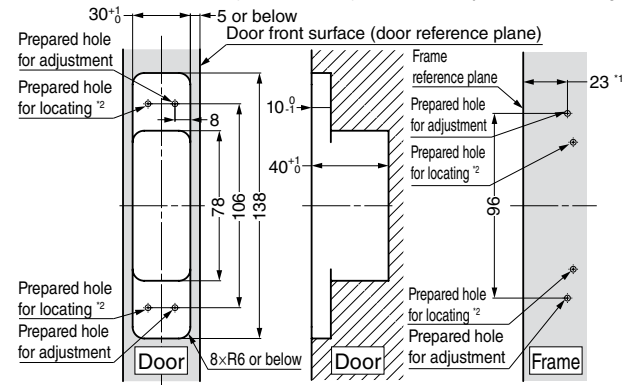
# Flush Mounted Concealed hinges The HES2S Series

- Surface mounts to the door frame for easy installation.
- Minimum door thickness is 1-1/2" (38 mm).
- Opens to 125°, requires door stopper.
- ADJUSTABLE: D ± 3mm, V ± 3mm, H ± 1mm with spacer.
- Successfully passed 300,000 open/close private cycles.
- Compact and sturdy design combined with an exceptionally simple install.



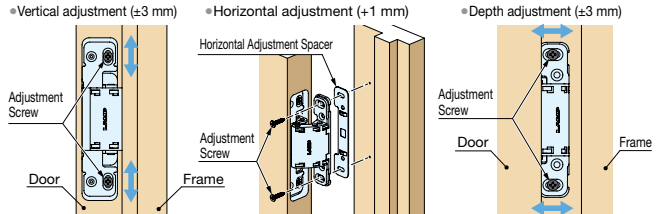
Y: Door Machining Margin	B: Door chamfering	A: Frame chamfering
4 or below	1 or higher	1 or higher
5		

CUT OUT DIMENSIONS Drill pilot holes at the positions of the adjustment and locating screws.



<sup>2</sup> When door machining margin is 5 mm.

### Door Position Adjustment



Adjust in the vertical/depth directions with oval hole screws and in the horizontal direction with the plate.

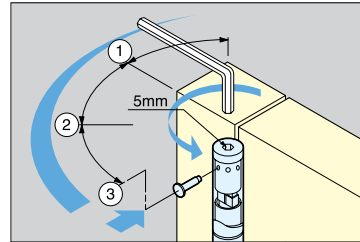


Item No.	Color	Door Width	Door Height	Door Thickness	Door Weight 2 pcs	Door Weight 3 pcs	Opening Angle
HES2S-140-A125-DGR	Dark Grey	Max. 35-7/16" (900 mm)	Max. 106-5/16" (2700 mm)	Min. 1-1/2" (38 mm)	Max. 110 lbs (50 kg)	Max. 143 lbs (65 kg)	125°
HES2S-140-A125-LGR	Light Grey						
HES2S-140-A125-BL	Matte Black						

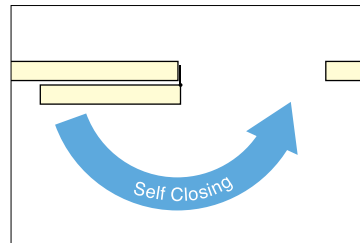


- Spring loaded for self-closing.
- Adjustable spring tension.
- Available in 2 sizes/strengths.
- Available in stainless steel and aluminum.
- Successfully passed 500,000 open/close private cycle tests.

Adjustable Spring Tension



Self Closing



JSA-120A



JSA-180S

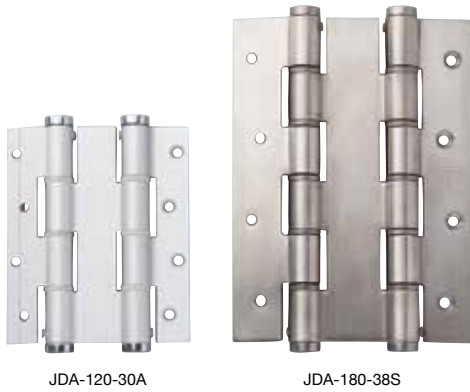
Item No.	Material	Finish
JSA-120A	Aluminum	Anodized
JSA-180A		
JSA-120S	304 Stainless Steel	Satin
JSA-180S		

Item No.	Load Capacity		Weight (g)	Box (pcs)	Carton (pcs)
	2 Hinges	3 Hinges			
JSA-120A	44 lbs (20 kg)	66 lbs (30 kg)	175	2	20
JSA-180A	88 lbs (40 kg)	132 lbs (60 kg)	260		
JSA-120S	44 lbs (20 kg)	66 lbs (30 kg)	303		
JSA-180S	88 lbs (40 kg)	132 lbs (60 kg)	526		

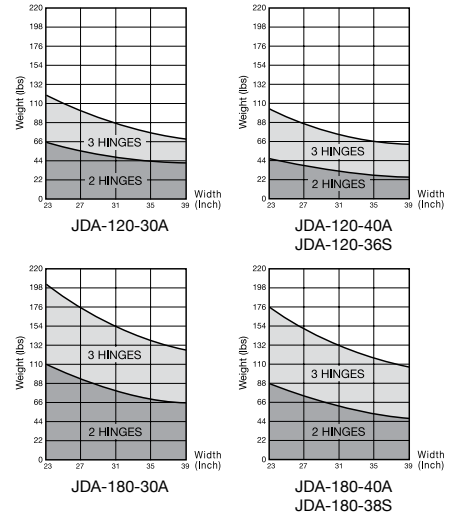
# DOUBLE ACTION SPRING HINGE



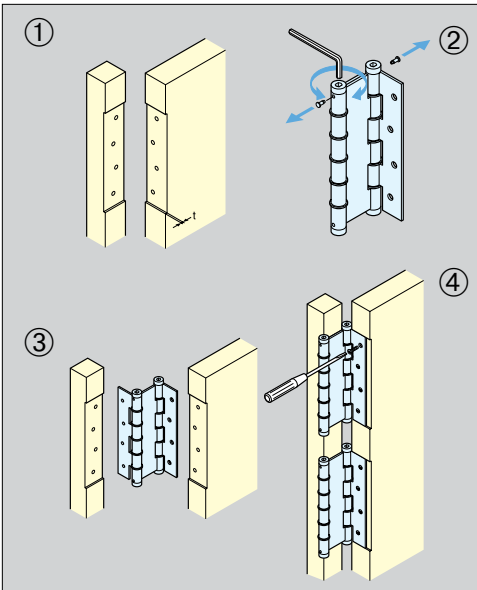
JDA



- Spring loaded for self-closing.
- Adjustable spring tension.
- Available in 7 sizes and 2 materials.
- For 2-way swinging doors.
- Available in stainless steel and aluminum.
- Successfully passed 500,000 open/close private cycle tests.



### Installation



Item No.	Max. Door Thickness	Weight (g)	Material	Finish	Box (pcs)	Carton (pcs)
JDA-120-30A	1-3/16" (30 mm)	275	Aluminum	Anodized	2	20
JDA-120-40A	1-9/16" (40 mm)	320				
JDA-180-30A	1-3/16" (30 mm)	407				
JDA-180-40A	1-9/16" (40 mm)	466				
JDA-180-50A	1-31/32" (50 mm)	510	304 Stainless Steel	Satin		
JDA-120-36S	1-13/32" (36 mm)	555				
JDA-180-38S	1-1/2" (38 mm)	947				

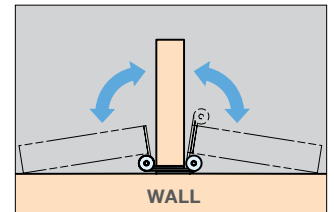
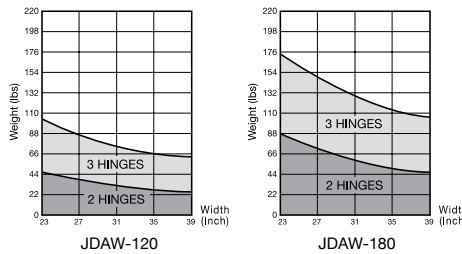
# DOUBLE ACTION SPRING HINGE Wall Mount



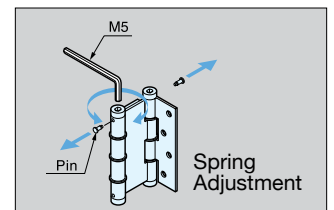
JDAW



- Spring loaded/self closing.
- Adjustable spring tension.
- Available in 2 sizes/strengths.
- Requires 8 #8 flathead countersunk screws, 3/4" or longer (not included).



Item No.	Door Thickness	Weight (g)	Box (pcs)	Carton (pcs)	Material	Finish
JDAW-120-35A	1-3/8" (35 mm)	350	2	20	Aluminum	Anodized
JDAW-180-35A						



A Pocket Door System

# Like No Other!

ALT-ST20-D360

POCKET DOOR SYSTEM

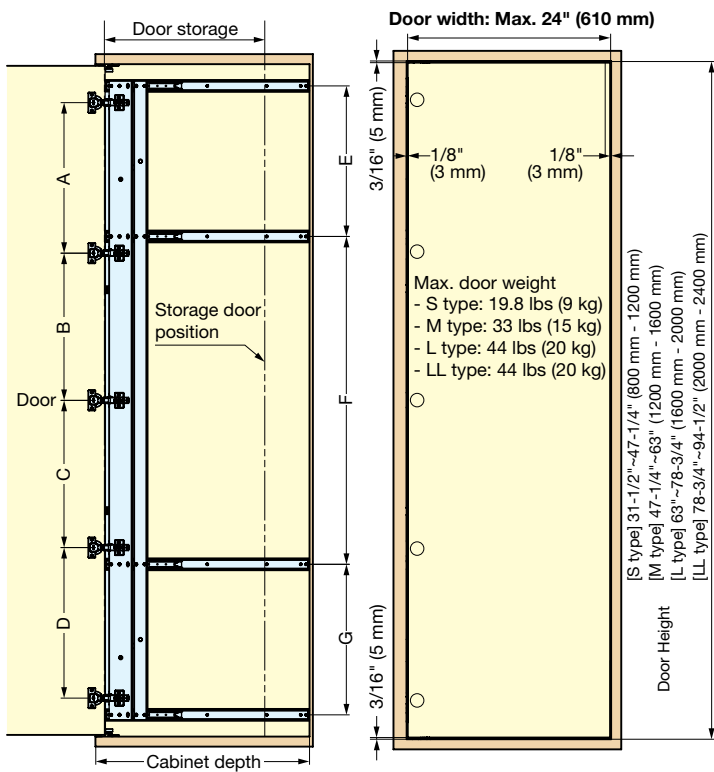
INSET/ Door Height: 31-1/2" - 94-1/2"

- This system allows doors to retract inside cabinets. Doors will not occupy space, providing full access to inside of cabinets.
- Pocket Door System with door alignment adjustability. Featuring Olympia soft-close hinges with 5-speed precision adjustability for door closing speed.
- The hanging angle of the door can be easily adjusted to prevent door sag. When installing, the door can be lifted upward into 5 different angles.
- Available slide lengths: 16", 19", 22", 24" and 28" (for depth).
- Durability: successfully passed 40,000 open/close private cycles.



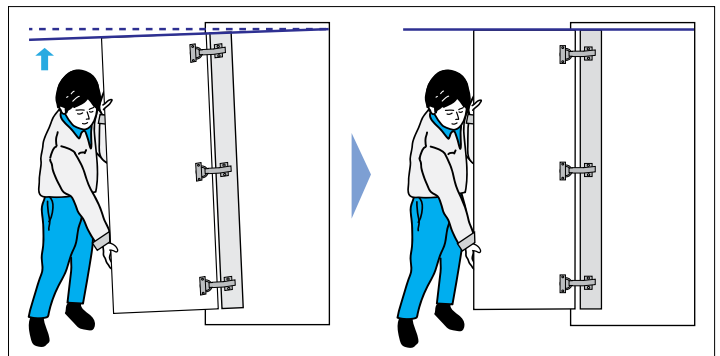


**Installation Example**



- Create a clean design with doors that can conveniently pocket away.
- Can manage doors up to 94-1/2" (2400 mm) tall weighing up to 44 lbs (20 kg).
- 5-speed adjustable soft-closing dampers (Uses 360 Olympia Hinges)
- 5-stage angle adjustment eliminating sagging doors
- Available slide lengths: 16", 19", 22", 24" and 28".
- Durability: successfully passed 40,000 private cycle test.

**Easy Door Alignment Adjustment**



When installing, you can adjust the hanging angle just by lifting up the door.

**Number of slides**

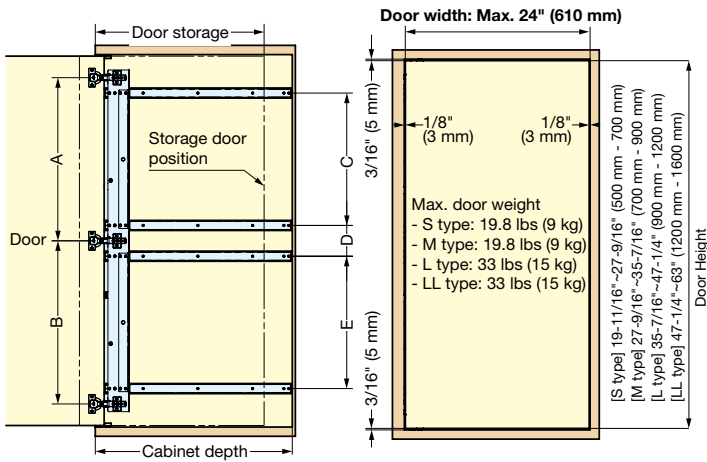
- S type: 2 pairs
- M type: 3 pairs
- L type: 4 pairs
- LL type: 4 pairs

Type	Hinge Placement				Slide Placement		
	A	B	C	D	E	F	G
S Type	22-13/16" (580 mm)	-	-	-	26-3/4" (680 mm)	-	-
M Type	19-5/16" (490 mm)	19-5/16" (490 mm)	-	-	23-1/4" (590 mm)	19-5/16" (490 mm)	-
L Type	19-11/16" (500 mm)	14-15/16" (380 mm)	19-11/16" (500 mm)	-	19-11/16" (500 mm)	18-7/8" (480 mm)	19-11/16" (500 mm)
LL Type	17-3/4" (450 mm)	17-5/16" (440 mm)	17-5/16" (440 mm)	17-3/4" (450 mm)	17-3/4" (450 mm)	38-9/16" (980 mm)	17-3/4" (450 mm)

Last Digits of Item Name (Parts Set)	Door Storage Amount	Min. Cabinet Depth
16	10-9/16" (269 mm) + Thickness	16-1/4" (412 mm) + Thickness
19	13-9/16" (345 mm) + Thickness	19-3/16" (488 mm) + Thickness
22	16-9/16" (421 mm) + Thickness	22-3/16" (564 mm) + Thickness
24	18-9/16" (472 mm) + Thickness	24-3/16" (615 mm) + Thickness
28	22-5/8" (574 mm) + Thickness	28-1/4" (717 mm) + Thickness

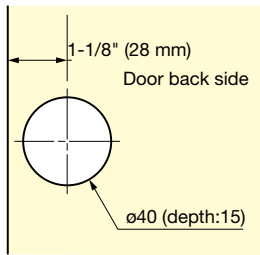
	ALT-ST20-D360S (2 slides)	ALT-ST20-D360M (3 slides)	ALT-ST20-D360L (4 slides)	ALT-ST20-D360LL (4 slides)
Door Width	Max. 24" (610 mm)			
Door Height	31-1/2" ~ 47-1/4" (800 - 1200 mm)	47-1/4" ~ 63" (1200 - 1600 mm)	63" ~ 78-3/4" (1600 - 2000 mm)	78-3/4" ~ 94-1/2" (2000 - 2400 mm)
Door Thickness	11/16" ~ 1-3/16" (18 - 30 mm)			
Door Weight	Max. 19.8 lbs (9 kg)	Max. 33 lbs (15 kg)	Max. 44 lbs (20 kg)	

**Installation**

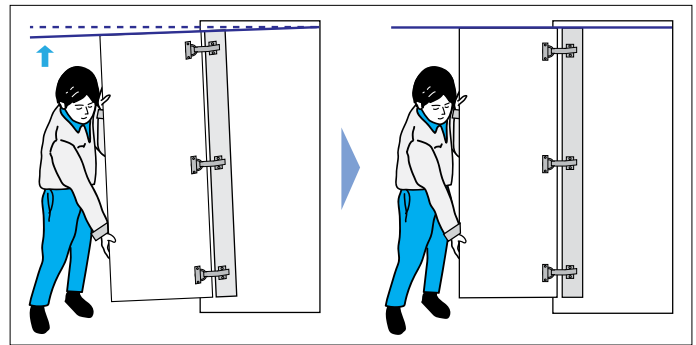


- Create a clean design with doors that can conveniently pocket away.
- Can manage doors up to 63" (1600 mm) tall weighing up to 33 lbs (15 kg).
- 5-speed adjustable soft-closing dampers (Uses 360 Olympia Hinges)
- 5-stage angle adjustment eliminating sagging doors
- Available slide lengths: 16", 19", 22", 24" and 28".
- Durability: successfully passed 40,000 private cycle test.

**Door Cut Out Dimensions**



**Easy Door Alignment Adjustment**



When installing, you can adjust the hanging angle just by lifting up the door.

**Number of slides**

- S type: 2 pairs
- M type: 2 pairs
- L type: 4 pairs
- LL type: 4 pairs

Type	Hinge Placement		Slide Placement		
	A	B	c	D	E
S Type	14-3/16" (360 mm)	-	10-1/4" (260 mm)	-	-
M Type	22-1/16" (560 mm)	-	18-1/8" (460 mm)	-	-
L Type	14-15/16" (380 mm)	14-15/16" (380 mm)	10-1/4" (260 mm)	5-1/2" (140 mm)	10-1/4" (260 mm)
LL Type	20-7/8" (530 mm)	20-7/8" (530 mm)	16-15/16" (430 mm)	3-15/16" (100 mm)	16-15/16" (430 mm)

Last Digits of Item Name (Parts Set)	Door Storage Amount	Min. Cabinet Depth
16	12-7/16" (316 mm) + Thickness	16-1/4" (412 mm) + Thickness
19	15-7/16" (392 mm) + Thickness	19-3/16" (488 mm) + Thickness
22	18-7/16" (468 mm) + Thickness	22-3/16" (564 mm) + Thickness
24	20-7/16" (519 mm) + Thickness	24-3/16" (615 mm) + Thickness
28	24-7/16" (621 mm) + Thickness	28-1/4" (717 mm) + Thickness

	ALT-ST20-D360S (2 slides)	ALT-ST20-D360M (3 slides)	ALT-ST20-D360L (4 slides)	ALT-ST20-D360LL (4 slides)
Door Width	Max. 24" (610 mm)			
Door Height	19-11/16" ~ 27-9/16" (500 - 700 mm)	27-9/16" ~ 35-7/16" (700 - 900 mm)	35-7/16" ~ 47-1/4" (900 - 1200 mm)	47-1/4" ~ 63" (1200 - 1600 mm)
Door Thickness	11/16" ~ 1-3/16" (18 - 30 mm)			
Door Weight	Max. 19.8 lbs (9 kg)		Max. 33 lbs (15 kg)	

# ALT-ST15-D360 POCKET DOOR SYSTEM

INSET/ Door Height: 19-11/16" - 63"

- This system allows doors to retract inside cabinets. Doors will not occupy space, providing full access to inside of cabinets.
- Pocket Door System with door alignment adjustability. Featuring Olympia soft-close hinges with 5-speed precision adjustability for door closing speed.
- The hanging angle of the door can be easily adjusted to prevent door sag. When installing, the door can be lifted upward into 5 different angles.
- Available slide lengths: 16", 19", 22", 24" and 28" (for depth).
- Durability: successfully passed 40,000 open/close private cycles.



Scan to see it  
in action



A Pocket Door System

# That Fits Your Life

## ALT-ST20-D10

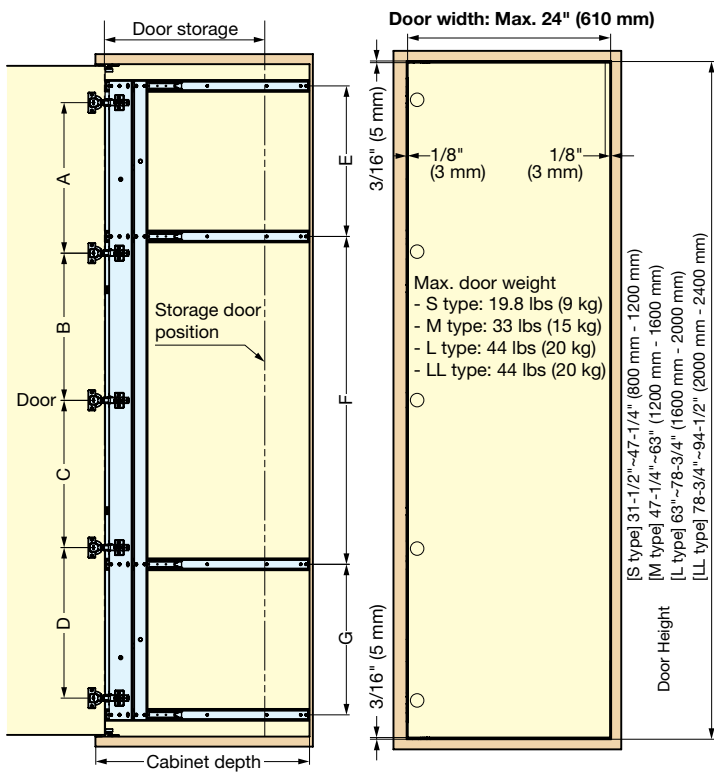
### POCKET DOOR SYSTEM

OVERLAY/ Door Height: 31-1/2" - 94-1/2"

- This system allows doors to retract inside cabinets. Doors will not occupy space, providing full access to inside of cabinets.
- Pocket Door System with door alignment adjustability. Featuring adjustable soft-close damper unit.
- The hanging angle of the door can be easily adjusted to prevent door sag. When installing, the door can be lifted upward into 5 different angles.
- Available slide lengths: 16", 19", 22", 24" and 28" (for depth).
- Durability: successfully passed 40,000 open/close private cycles.

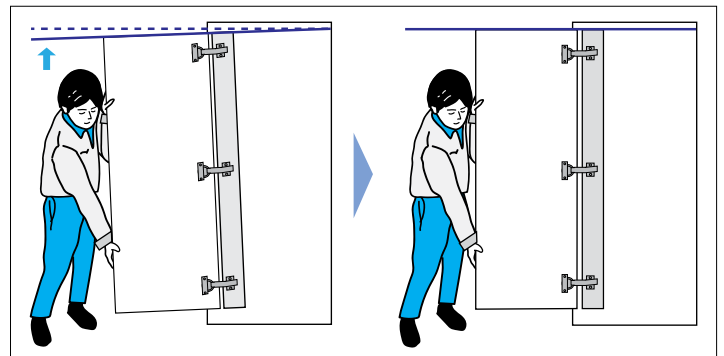


**Installation Example**



- Overlay Pocket Door System with door alignment adjustability. *Overlay amount is up to 3/8" (10 mm).*
- Overlay damper unit with adjustment screw included with package.
- The damper hinges can be replaced with hinges with catch function.
- The hanging angle of the door can be easily adjusted to counteract and prevent door sag. When installing, the door can be lifted upward into 5 positions.
- Available slide lengths: 16", 19", 22", 24" and 28".
- Durability: successfully passed 40,000 private cycle test.

**Easy Door Alignment Adjustment**



When installing, you can adjust the hanging angle just by lifting up the door.

**Number of slides**

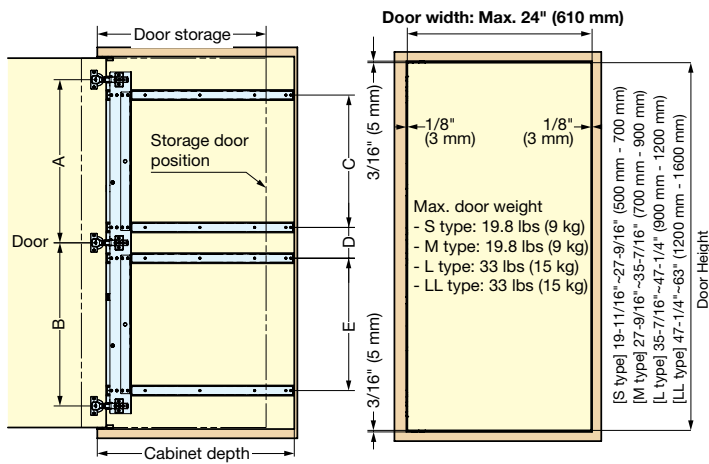
- S type: 2 pairs
- M type: 3 pairs
- L type: 4 pairs
- LL type: 4 pairs

Type	Hinge Placement				Slide Placement		
	A	B	C	D	E	F	G
S Type	22-13/16" (580 mm)	-	-	-	26-3/4" (680 mm)	-	-
M Type	19-5/16" (490 mm)	19-5/16" (490 mm)	-	-	23-1/4" (590 mm)	19-5/16" (490 mm)	-
L Type	19-11/16" (500 mm)	14-15/16" (380 mm)	19-11/16" (500 mm)	-	19-11/16" (500 mm)	18-7/8" (480 mm)	19-11/16" (500 mm)
LL Type	17-3/4" (450 mm)	17-5/16" (440 mm)	17-5/16" (440 mm)	17-3/4" (450 mm)	17-3/4" (450 mm)	38-9/16" (980 mm)	17-3/4" (450 mm)

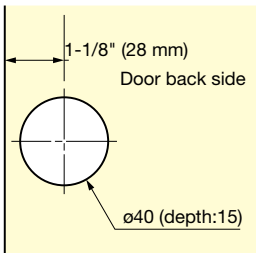
Last Digits of Item Name (Parts Set)	Door Storage Amount	Min. Cabinet Depth
16	10-9/16" (268 mm) + Thickness	16-1/4" (420 mm) + Thickness
19	13-9/16" (344 mm) + Thickness	19-3/16" (496 mm) + Thickness
22	16-9/16" (420 mm) + Thickness	22-3/16" (572 mm) + Thickness
24	18-9/16" (471 mm) + Thickness	24-3/16" (623 mm) + Thickness
28	22-5/8" (573 mm) + Thickness	28-1/4" (725 mm) + Thickness

	ALT-ST20-D10S (2 slides)	ALT-ST20-D10M (3 slides)	ALT-ST20-D10L (4 slides)	ALT-ST20-D10LL (4 slides)
Door Width	Max. 24" (610 mm)			
Door Height	31-1/2" ~ 47-1/4" (800 - 1200 mm)	47-1/4" ~ 63" (1200 - 1600 mm)	63" ~ 78-3/4" (1600 - 2000 mm)	78-3/4" ~ 94-1/2" (2000 - 2400 mm)
Door Thickness	11/16" ~ 13/16" (18 - 20 mm)			
Door Weight	Max. 19.8 lbs (9 kg)	Max. 33 lbs (15 kg)	Max. 44 lbs (20 kg)	

## Installation



## Door Cut Out Dimensions



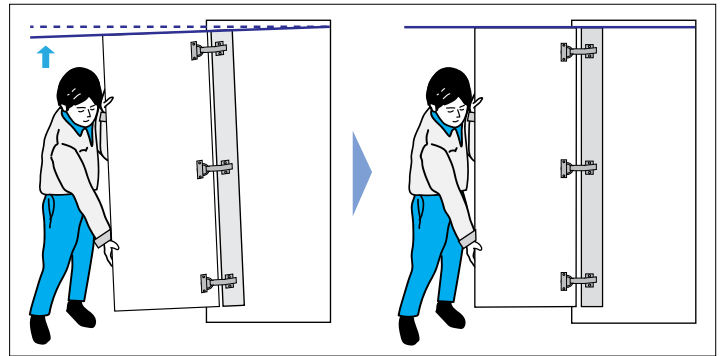
## Number of slides

- S type: 2 pairs
- M type: 2 pairs
- L type: 4 pairs
- LL type: 4 pairs

Type	Hinge Placement		Slide Placement		
	A	B	c	D	E
S Type	14-3/16" (360 mm)	-	10-1/4" (260 mm)	-	-
M Type	22-1/16" (560 mm)	-	18-1/8" (460 mm)	-	-
L Type	14-15/16" (380 mm)	14-15/16" (380 mm)	10-1/4" (260 mm)	5-1/2" (140 mm)	10-1/4" (260 mm)
LL Type	20-7/8" (530 mm)	20-7/8" (530 mm)	16-15/16" (430 mm)	3-15/16" (100 mm)	16-15/16" (430 mm)

- Overlay Pocket Door System with door alignment adjustability. *Overlay amount is up to 3/8" (10 mm).*
- Overlay damper unit with adjustment screw included with package.
- The damper hinges can be replaced with hinges with catch function.
- The hanging angle of the door can be easily adjusted to counteract and prevent door sag. When installing, the door can be lifted upward into 5 positions.
- Available slide lengths: 16", 19", 22", 24" and 28".
- Durability: successfully passed 40,000 private cycle test.

## Easy Door Alignment Adjustment



When installing, you can adjust the hanging angle just by lifting up the door.

Last Digits of Item Name (Parts Set)	Door Storage Amount	Min. Cabinet Depth
16	12-7/16" (316 mm) + Thickness	16-1/4" (412 mm) + Thickness
19	15-7/16" (392 mm) + Thickness	19-3/16" (488 mm) + Thickness
22	18-7/16" (468 mm) + Thickness	22-3/16" (564 mm) + Thickness
24	20-7/16" (519 mm) + Thickness	24-3/16" (615 mm) + Thickness
28	24-7/16" (621 mm) + Thickness	28-1/4" (717 mm) + Thickness

	ALT-ST20-D360S (2 slides)	ALT-ST20-D360M (3 slides)	ALT-ST20-D360L (4 slides)	ALT-ST20-D360LL (4 slides)
Door Width	Max. 24" (610 mm)			
Door Height	19-11/16" ~ 27-9/16" (500 - 700 mm)	27-9/16" ~ 35-7/16" (700 - 900 mm)	35-7/16" ~ 47-1/4" (900 - 1200 mm)	47-1/4" ~ 63" (1200 - 1600 mm)
Door Thickness	11/16" ~ 13/16" (18 - 20 mm)			
Door Weight	Max. 19.8 lbs (9 kg)		Max. 33 lbs (15 kg)	



# ALT-ST15-D10 POCKET DOOR SYSTEM

OVERLAY/ Door Height: 19-11/16" - 63"

- This system allows doors to retract inside cabinets. Doors will not occupy space, providing full access to inside of cabinets.
- Pocket Door System with door alignment adjustability. Featuring adjustable soft-close damper unit.
- The hanging angle of the door can be easily adjusted to prevent door sag. When installing, the door can be lifted upward into 5 different angles.
- Available slide lengths: 16", 19", 22", 24" and 28" (for depth).
- Durability: successfully passed 40,000 open/close private cycles.



Scan to see it  
in action

[sugatsune.com](http://sugatsune.com)

**SUGATSUNE**



1.800.562.5267

# IF-360

## RECEDING DOOR SYSTEM



Item No.	Door Weight	Torque
IF-360S	3.1 ~ 5.5 lbs (1.4 ~ 2.5 kg)	17 ~ 60 lbs-in (20 ~ 70 kg-cm)
IF-360W	5.9 ~ 11 lbs (2.7 ~ 5 kg)	34 ~ 121 lbs-in (40 ~ 140 kg-cm)
IF-H360S	3.1 ~ 5.5 lbs (1.4 ~ 2.5 kg)	17 ~ 60 lbs-in (20 ~ 70 kg-cm)
IF-H360W	5.9 ~ 11 lbs (2.7 ~ 5 kg)	34 ~ 121 lbs-in (40 ~ 140 kg-cm)



The IF-360 is designed for cabinet doors that open in an upward direction, providing a unique and space-saving lid stay system.

- For upward-opening cabinet doors.
- Soft-close feature prevents slamming. Soft-closing speed is adjustable.
- Door pockets into the cabinet to get out of the way when opened.
- NSDX soft-down stay successfully passed 30,000 open/close private cycles test.

# LOCK IN YOUR DESIGN

Make Complexed Panel Designs  
Easy to Install.



**FASTMOUNT**  
PANEL MOUNTING SOLUTIONS

Say goodbye to complicated mounting methods! Fastmount® Panel Fasteners are designed for hassle-free installation, allowing you to effortlessly position panels in just the right spot. From soft textile and wood to metal panels, we have the mounting clip designed to easily lock them in.

Visit us at [www.sugatsune.com](http://www.sugatsune.com) or contact us at (800) 562-5267 for more information.

[www.sugatsune.com](http://www.sugatsune.com)



Scan for more  
Fastmount® info

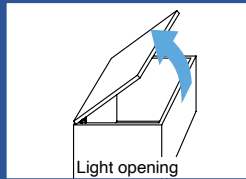
    #sugatsuneamerica



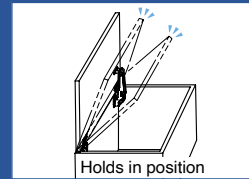


- Smooth door movement. It is specially designed for use with the OLYMPIA concealed hinge.
- The lift-assist function allows for light opening of doors.
- Board thickness:  
Min: 9/16" (15mm) ~ Max: 7/8" (22mm).
- The free-stop function enables doors to hold in position (>30°).
- Soft-close function makes doors close gently (<30°).
- Closing speed of doors is adjustable.

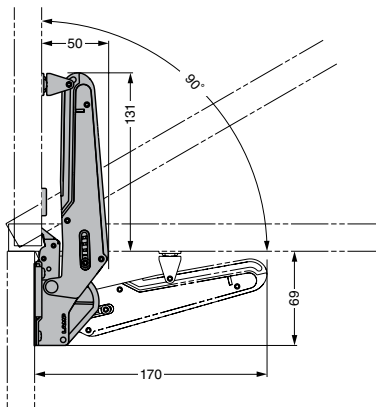
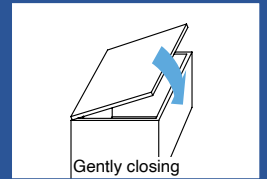
## LIFT-ASSIST



## FREE-STOP



## SOFT-CLOSE



## THE OLYMPIA HINGE

With 5-level damper function, part of the Aileron soft-opening system.



5-speed adjustable soft-close.

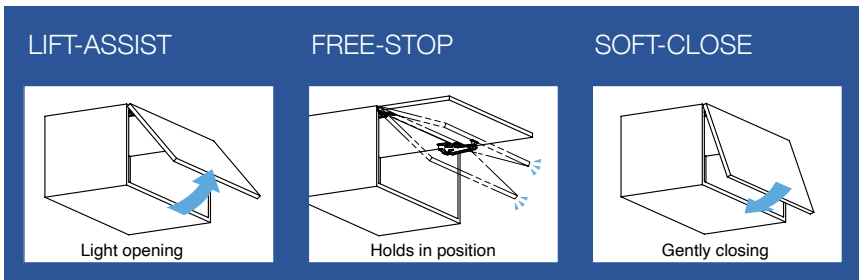
The first Sugatsune concealed hinge ever built with Lapcon technology.

Item No.	Torque (kg·cm)	Board Thickness (mm)	Weight (g)	Box (pcs)	Carton (pcs)	Material	Finish/Color
ARN-2-M-S	40.8~61.2 (35.4~53.1 lbs·in)	Min: 15 mm (9/16") Max: 22 mm (7/8")	703	1	10	Steel, Zinc Alloy	Nickel
ARN-2-H-S	61.2~81.6 (53.1~70.8 lbs·in)					Plastic	Grey

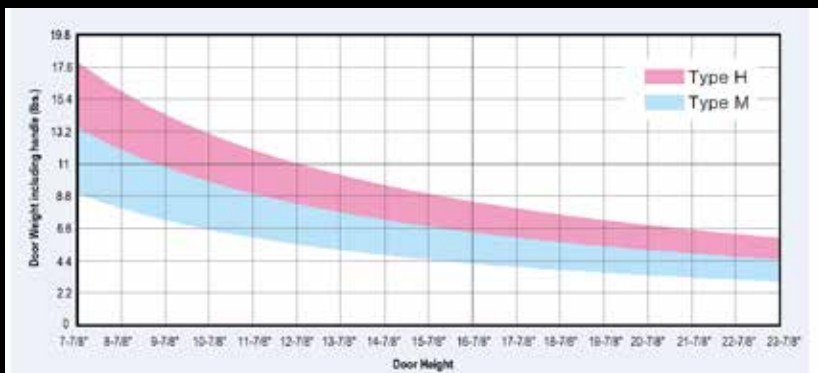


# LIFT-ASSIST LID STAY with soft-close (upward opening)

ARN-3



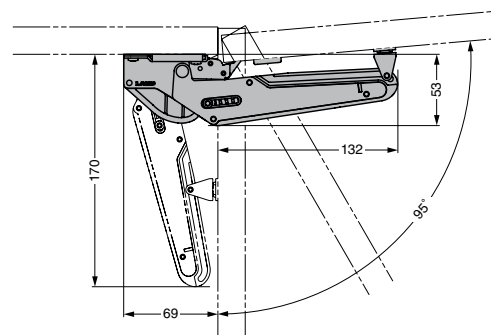
- Smooth door movement. It is especially designed for use with the OLYMPIA concealed hinge.
- The lift-assist function allows for light opening of doors.
- Board thickness: Min:9/16" (15 mm) ~ Max:7/8" (22 mm).
- The free-stop function enables doors to hold in position (>30°).
- Soft-close function makes doors close gently (<30°).
- Closing speed of doors is adjustable.



Refer to the graph above as a guide for model selection. For use with doors outside of the scope of this graph, use the calculation below. Door weight must include all attached accessories.

**Torque (lbs · inch) = Door height (inches) × 0.5 × weight (lbs).**

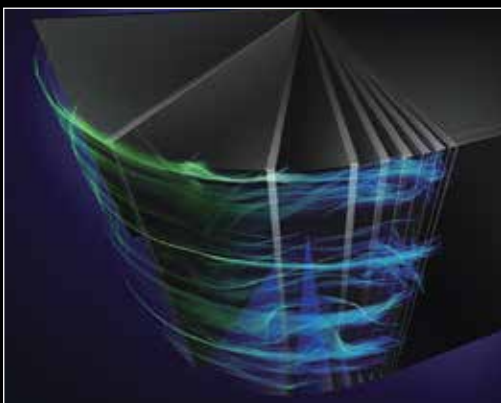
Torque Range (lbs-in)	Type	Number of AILERON
35.4~53.1	M	1 pc
53.1~70.8	H	



Item No.	Torque (kg·cm)	Board Thickness (mm)	Weight (g)	Box (pcs)	Carton (pcs)	Material	Finish/Color
ARN-3-M-S	40.8~61.2 (35.4~53.1 lbs·in)	Min:15 mm (9/16") Max: 22 mm (7/8")	703	1	10	Steel, Zinc Alloy	Nickel
ARN-3-H-S	61.2~81.6 (53.1~70.8 lbs·in)					Plastic	Grey

A NEW STEP FOR HINGE TECHNOLOGY

# OLYMPIA

360 POWERED BY  Lapcon.Concealed Hinge with  
Adjustable Soft-Close
 Lapcon®


5-speed adjustable soft-close.  
The first Sugatsune concealed hinge  
ever built with Lapcon technology.

This is the first time Sugatsune's unique Lapcon technology has ever been used inside a concealed hinge. The innovative rotary damper is not only extremely compact with a sleek overall design, but its force can also be adjusted to perfection in 5 steps, regardless of the door size or weight.

sugatsune.com



1.800.562.5267

## CONCEALED HINGE with Adjustable Soft-Close

360-26/C26/D26-19T/19T85

### (19 mm overlay)



### (14 mm overlay)



### (9 mm overlay)



- Available for 19 mm, 14 mm and 9 mm overlays.
- Featuring 5-speed adjustable damper.
- Load capacity:
  - 6 kg (13.2 lbs)/2 pcs, 10 kg (22 lbs)/3 pcs.
- Maximum door width:
  - 600 mm (23-5/8"), thickness: 20 mm (13/16") .
- Clip-on type for easy installation, 3-way placement adjustment.
- Mounting plate sold separately.
- Successfully passed 200,000 cycles test.



## CONCEALED HINGE with Adjustable Soft-Close

360-26/C26/D26/U26-OT

### (Inset)



- Inset type hinge.
- Featuring 5-speed adjustable damper.
- Load capacity:
  - 6 kg (13.2 lbs)/2 pcs, 10 kg (22 lbs)/3 pcs.
- Maximum door width:
  - 600 mm (23-5/8"), thickness: 20 mm (13/16").
- Clip on type for easy installation, 3-way placement adjustment.
- Mounting plate sold separately.
- Successfully passed 200,000 cycles test.



## MOUNTING PLATES



### 360-P4W-32T

- Available in Standard and +5 mm types
- 2-holes plate



### 360-P4W-32T-DS

- Plate featuring pre-mounted screws
- 2-holes plate



### 360-P3W-53T

- Slim design gives a sleek look



### 360-P6WT

- Available in Standard and +5 mm types
- 4-holes plate

# The J160 Overlay Hinge



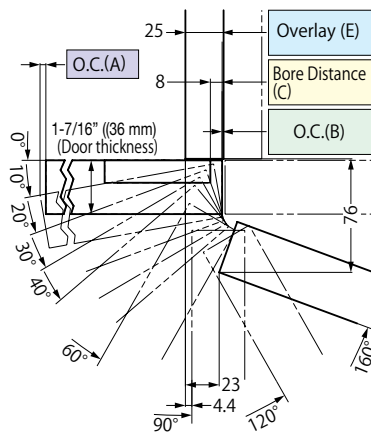
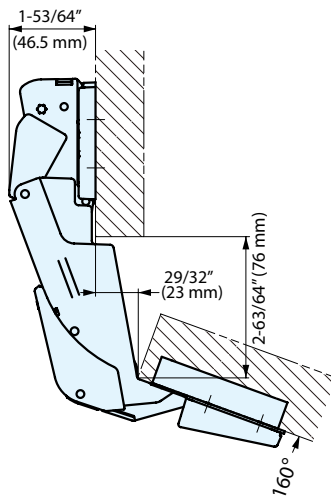
Nickel (NI)



Black Nickel (BN)



FOR MORE DETAILS  
General Catalog Pg. 307.1



- 3-way adjustability after installation.
- Load capacity:
  - 55 lbs (25 kg)/2 pcs,
  - 88 lbs (40 kg)/3 pcs.
- Maximum door width:
  - 31-1/2" (800 mm)/2 pcs,
  - 35-7/16" (900 mm)/3 pcs.
- Wide-opening hinge allowing 160° opening.
- Successfully passed 50,000 open/close private cycle test.
- Recommended door thickness:
  - 11/16~1-7/16" (18~36 mm).
- Includes mounting plates and screw covers.
- Built in damper allows soft-close.

Item No.	Weight (g)	Box (pcs)	Carton (pcs)	Material	Finish
J160-D22-25T-NI	710	1	12	Steel, Zinc Alloy (ZDC), Glass Filled Polyamide (PA)	Nickel (NI)
J160-D22-25T-BN					Black Nickel (BN)



# The Seriously HEAVY DUTY Concealed Hinge!

Imagine using 2 or 3 hinges where 5 or 6 are usually needed, **THE J95 HEAVY DUTY CONCEALED HINGE** can do just that, with 55 lbs load capacity for one pair or 88 lbs for three hinges.

Available in free-swinging and self-closing, nickel and black finishes.



Nickel (NI)



Nickel (NI)



Black Nickel (BN)



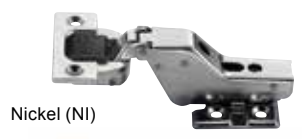
Black Nickel (BN)

### J95-24/25T

25 mm overlay  
Opening angles: 95°

### J95-24/16T

16 mm overlay  
Opening angles: 95°



Nickel (NI)



Black Nickel (BN)



### J95ZC, J95SC

Plate and Hinge Covers  
in Gray, Black and Chrome

### J95-24/0T

Inset  
Opening angles: 95°

# DOOR STRAIGHTENERS

## Preserve Quality

Just because a cabinet leaves the shop doesn't mean that the quality shouldn't stay with it and **Sugatsune's Door Straighteners Series** can do just that. Preserve the quality of your work against warping due to moisture or extreme temperatures.

Our line of Door Straighteners can be concealed, placed at time of manufacturing or retrofitted to correct warping. See our complete line at **sugatsune.com**.



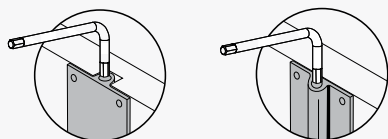
GET MORE DETAILS



sugatsune.com

# DSR DOOR STRAIGHTENERS SERIES

## RECESSED/SURFACE DSR701

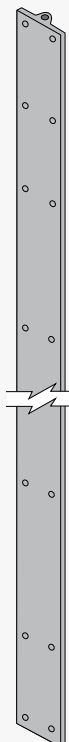


PARTIALLY RECESSED

SURFACE

- Can be installed post-production to fix warping.
- Must run complete height of the door.
- Can be partially recessed or surface mounted to the back of the door.
- ±10 mm adjustment can be made from the top of the door with a M4 Allen Key (included).
- Minimum door thickness: 16 mm (9/16").
- Requires M4 flathead wood countersunk screws for partially recessed installation or wood panhead screws for surface installation.
- Can be cut from the bottom up to 400 mm.

Item No.	Length Min-Max	Materials	Finish
DSR701-1830/B-10	56-5/16" ~ 72-1/16"	Rod: Steel Casing: Aluminum	Black
DSR701-1830/S-10			Silver
DSR701-2200/B-10	Black		
DSR701-2200/S-10	Silver		



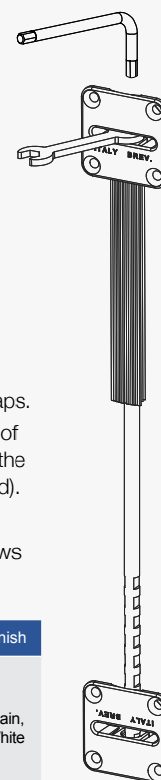
## RECESSED DSR213



Plastic cover caps included

- Installed at time of production to prevent door from warping.
- Adjustors installed 60 mm from the top and bottom of the door.
- Partially recessed door straightener with cover caps.
- ±10 mm adjustment can be made from the top of the door with a M4 Allen Key (included) or from the back of the door with a M8 slot wrench (included).
- Min. door thickness: 16 mm (5/8")
- Requires 8 M4 flathead countersunk wood screws for installation.

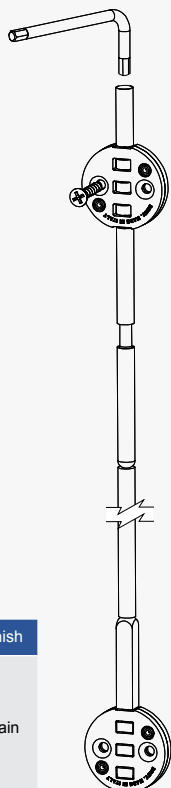
Item No.	Center Distance	Door Length	Finish
DSR213-1524-25	43-7/16" ~ 60"	48-3/16" ~ 64-3/4"	Plain, White
DSR213-1930-25	59-7/16" ~ 76"	64-3/16" ~ 80-11/16"	
DSR213-2330-25	75-3/16" ~ 91-3/4"	79-15/16" ~ 96-7/16"	
DSR213-2700-25	89-3/4" ~ 106-5/16"	94-1/2" ~ 111"	



## CONCEALED DSR423

- Installed at time of production to prevent door from warping.
- Adjustors installed 60 mm from the top and bottom of the door.
- Fully concealed/hidden door straightener. Recessed mounted under laminate.
- ±10 mm adjustment can be made from the top of the door with a M4 Allen Key (included).
- Min. door thickness: 12 mm (1/2").
- Optional mounting holes to secure door straightener to door using 4 M4 (U.S. #8) flathead countersunk wood screws.

Item No.	Center Distance	Door Length	Finish
DSR423-1524-25	43-7/16" ~ 60"	48-3/16" ~ 64-3/4"	Plain
DSR423-1930-25	59-7/16" ~ 176"	64-3/16" ~ 80-11/16"	
DSR423-2300-25	74" ~ 90-9/16"	78-3/4" ~ 95-1/4"	
DSR423-2700-25	89-3/4" ~ 106-5/16"	94-1/2" ~ 111"	



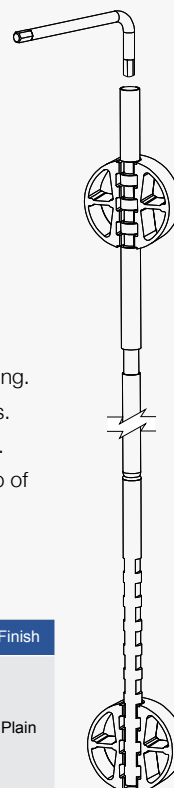
## CONCEALED DSR403



Both concealed models can be installed under laminate.

- Installed at time of production to prevent warping.
- Adjustors installed 60 mm from the door edges.
- Fully Concealed. Recess mounted under finish.
- ±10 mm adjustment can be made from the top of the door with a M4 Allen Key (included).
- Min. door thickness 18 mm (11/16").
- No screw installation, pressure-fit into place.

Item No.	Center Distance	Door Length	Finish
DSR403-1524-25	43-7/16" ~ 60"	48-3/16" ~ 64-3/4"	Plain
DSR403-1930-25	59-7/16" ~ 176"	64-3/16" ~ 80-11/16"	
DSR403-2300-25	74" ~ 90-9/16"	78-3/4" ~ 95-1/4"	
DSR403-2700-25	89-3/4" ~ 106-5/16"	94-1/2" ~ 111"	



# Glass Hardware

Sugatsune's premium glass hardware showcases a wide range of hinges, face plates, brackets, dampers, locks, catches, and more. Our glass hardware uniform designs helps accentuate the beauty of the cases and displays while keeping exhibited product accessible and secured.

Our glass hardware features sleek shapes and contours that draw the eye to the display creating the perfect showcase for your product.

GS-GB5 - Glass Bracket



GS-GH50 - Glass Hinge



GS-GL20 - Glass Door Cam Lock



Million Lock Series, Available in 3 finishes







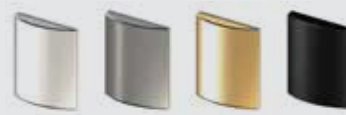
## Glass Hinges & Face Plates



**GH-456C**  
Half Overlay Glass Door Hinge  
Available in 3 finishes.



**J95 Hinges**  
Heavy Duty Concealed Hinge  
Available in 2 finishes & 3 configurations.



**GH-360FP**  
Glass Door Face Plate  
Designed for the Olympia Hinge, 4 finishes.



**GS-GH5**  
Inset Glass Door Hinge  
Available in 2 finishes.

## Glass Locks



**GH-GL5**  
Glass Door Cam Lock  
Million Lock Series, Available in 3 finishes.



**1310GL-SQ**  
Cylinder Glass Lock  
Million Lock Series, Available in 4 finishes.



**1310GLW**  
Glass Door Cam Lock  
Million Lock Series, Available in 3 finishes.



**Million Lock Keys**  
Compatible across models.

## Glass Brackets



**GS-GB20**  
Glass Bracket  
Available in 3 finishes.



**XL-GC05**  
Glass Bracket

## Glass Door Pulls

**Zwei L**



**ZL-1505**  
Glass Door Pull



**ZL-1504**  
Glass Door Pull

# LIFT-ASSIST DAMPER (Heavy Duty)

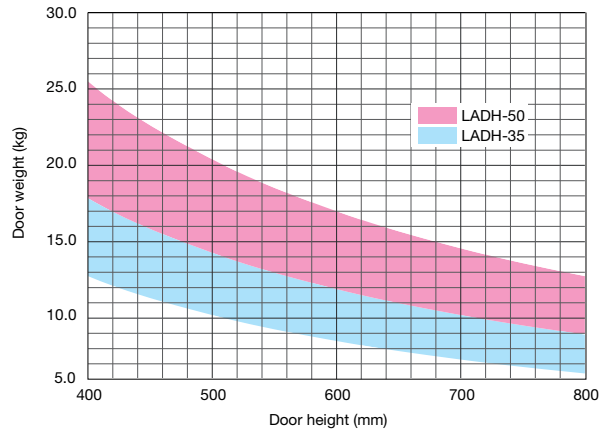
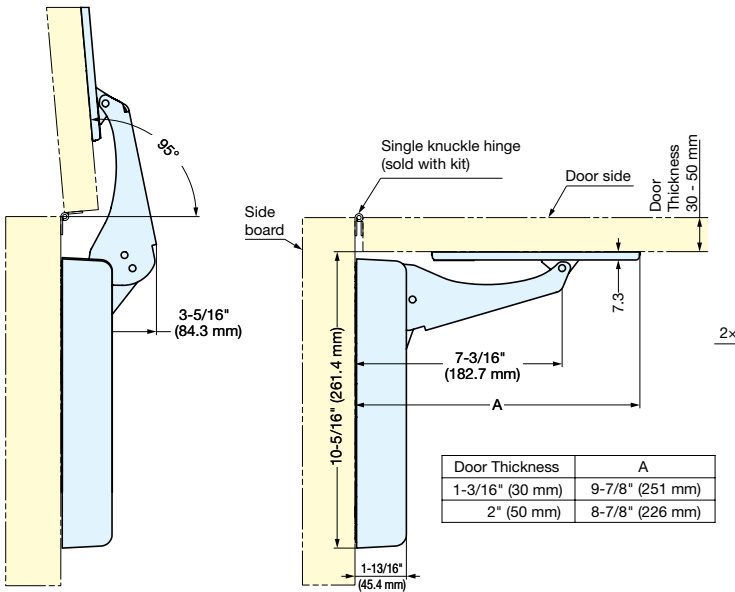
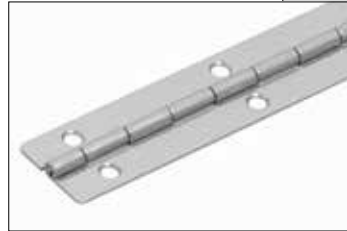
LADH



- Add a smooth soft-close to counter tops in restaurants, bars and reception desks to prevent slamming.
- Lift-Assist feature helps users lift countertop
- Holds door open at 95 degrees.
- Easy installation - surface mounted and can be retrofitted.
- Stainless steel piano hinge included.



- Set includes stainless steel piano hinge (LSN-C).
- Hinge can be cut to desired length.



Item No.	Max. Torque/pc (lbs-in)	Panel Thickness	Wt (Kg)	Box (pcs)	Material	Finish
LADH-35	221 ~ 309	30~50 mm (1-3/16" ~ 2")	2	1	Steel (SPCC)/ Polyacetal (POM)/ABS	Arm: Nickel Chrome Body: Dark Brown
LADH-50	309 ~ 442					Arm: Nickel Chrome Body: White
LADH-35WT	221 ~ 309					
LADH-50WT	309 ~ 442					



# The TALLMAN

## Closet Rod Lift Mechanism



### TAT (T-TYPE)

- The T-type model is designed for front facing installation with the use of a bracket which is sold separately (TAB).
- Create space more efficiently by separating short and long clothes.

Load capacity: Up to 17.6 lbs. (evenly distributed).

Specification	Grey (G)
Right-Hand	TAT-800R/G
Left-Hand	TAT-800L/G

### TAS (SINGLE TYPE)



TAS-800R/U (Right)

- This single-type model, designed for installation on a side wall of a cabinet or closet.
- Both right-hand and left-hand models are available.
- Load capacity: Up to 17.6 lbs.

	Grey (G)	Umber (U)
RT-Hand	TAS-800R/G	TAS-800R/U
LT-Hand	TAS-800L/G	TAS-800L/U

### TAW (DOUBLE TYPE)



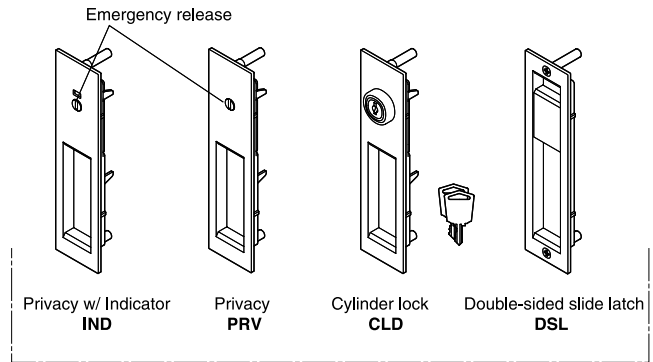
TAW-1200/U

- The double-type model, designed for installation on side walls of a cabinet or closet.
- Adjusting the length of the rod is easily done in just one step.
- Load capacity: Up to 33 lbs.

	Grey (G)	Umber (U)
TAW-1200/G	TAW-1200/G	TAW-1200/U



- Recessed latch handle for wooden sliding doors.
- 4 model types available.
- The backset can be installed at any position between 1-3/16"~2" (30 mm~51 mm) from the door edge.
- Applicable door thickness: 1-3/8"~1-3/4" (35mm ~ 45 mm). 3 different lengths of spindles and 2 different lengths of screw are included. Initial setting is for 1-1/2" (38 mm) door.



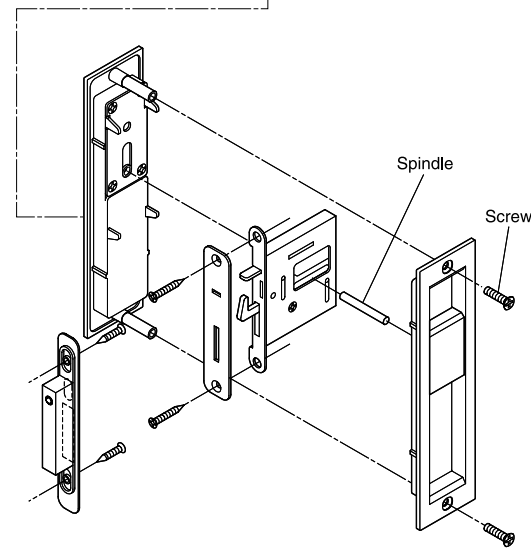
### ■ Latch Body & Strikeplate



### ■ Latch Faceplates



The opposite face of every model has a slide handle, as shown for the DSL model.



### ■ Parts Included

- Spindles  $\varnothing 4 \times 35$ ,  $\varnothing 4 \times 39$ ,  $\varnothing 4 \times 43$
- Countersunk head tapping screw 3.5 $\times$ 25 (SUS) for strike & latch body
- Countersunk head screw M4 $\times$ 20, M4 $\times$ 25 (SUS) for latch face plates.

Item Name	Type	Weight (g)
HC-3051-PRV-NI	Privacy	531
HC-3051-IND-NI	Privacy w/ Indicator	535
HC-3051-CLD-NI	Cylinder lock	557
HC-3051-DSL-NI	Double Sided Slide	511

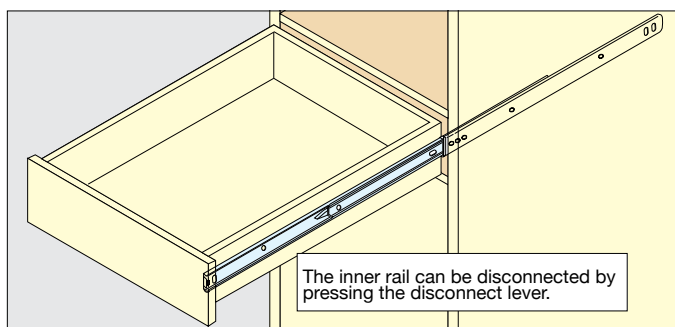


# STAINLESS STEEL DRAWER SLIDES



## FULL EXT. SOFT CLOSE **ESR-SC4513**

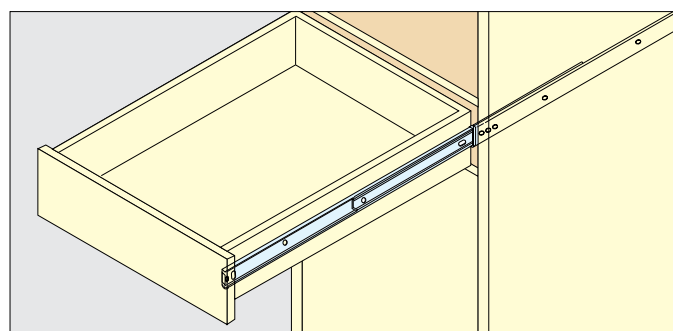
- Soft close feature for smooth, silent movement.
- Full extension.
- Front disconnect, positive stop, sold in pairs.
- Hold-in detent 700 g-f (1.5 lb) max.
- Handed: specific left and right hand mounting.



Item No.	Slide Length	Travel Length	Ld Rating
ESR-SC4513-16	15-3/4"	15-3/4"	82 lbs
ESR-SC4513-18	17-23/32"	17-23/32"	79 lbs
ESR-SC4513-20	19-11/16"	19-11/16"	77 lbs
ESR-SC4513-22	21-21/32"	21-21/32"	75 lbs
ESR-SC4513-24	23-5/8"	23-5/8"	73 lbs
ESR-SC4513-26	25-19/32"	25-19/32"	70 lbs
ESR-SC4513-28	27-9/16"	27-9/16"	68 lbs

## FULL EXTENSION SLIDE **ESR-6**

- Full extension.
- Positive stop.
- Non-handed.
- Sold by each.



Item No.	Slide Length	Travel Length	Load Rating
ESR-6-12	12"	12-27/32"	132 lbs
ESR-6-14	14"	14-27/32"	130 lbs
ESR-6-16	16"	16-27/32"	126 lbs
ESR-6-18	18"	18-55/64"	123 lbs
ESR-6-20	20"	20-53/64"	117 lbs
ESR-6-22	22"	22-27/32"	112 lbs
ESR-6-24	24"	24-27/32"	108 lbs
ESR-6-26	26"	26-26/32"	104 lbs
ESR-6-28	28"	28-13/16"	99 lbs

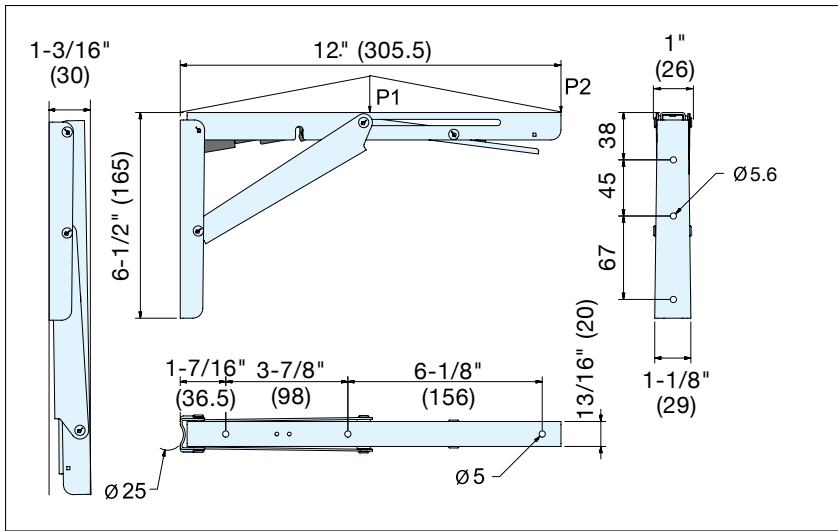
# STAINLESS STEEL FOLDING BRACKET with damper EB-303/EP-D



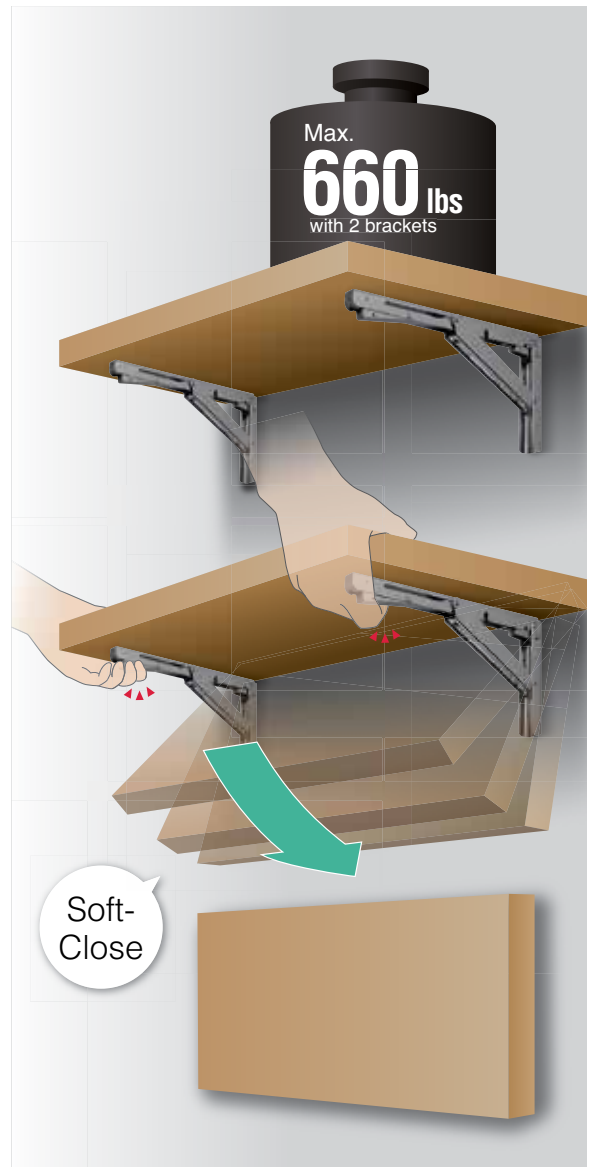
- Automatically locks when flap is in open position.
- Press lever to release the lock.
- Hinges not required.
- Damper unit with a soft-closing feature which makes it smoother and safer.
- Durability tested 50,000 cycles (private).
- Also available without damper in 3 sizes: EB-200/EP, EB-303/EP, EB-317/EP

EB-303/EP-D

EB-303/EP-D-BL



## Application Example



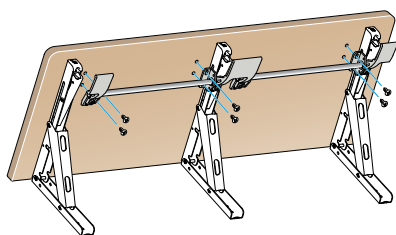
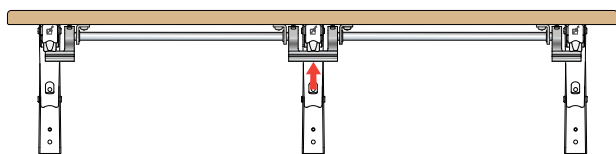
Item No.	Bracket Load Capacity P1	Bracket Load Capacity P2	Weight (g)	Carton (pcs)	Material
EB-303/EP-D	330 lbs/each	165 lbs/each	515	20	304 Stainless Steel
EB-303/EP-D-BL					

# LEVER RELEASE for EB Folding Brackets



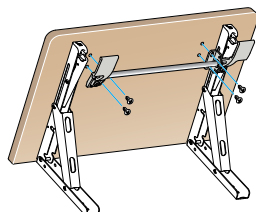
- Easy operation with a slide and push mechanism for locking and lever release.
- Lever can be used with either EB-303/EP, EB-303/EP-D, EB-200/EP or EB-317/EP.
- Use to unlock multiple brackets with one-hand operation while maintaining bracket locking feature.
- Connecting bar can be cut to sizes.

EB-1000-2/1500-2



Item No.	Rod Qty	Rod Length (L)
EB-1000-2	1	39-3/8" (1000 mm)
EB-1500-2	1	59-1/16" (1500 mm)

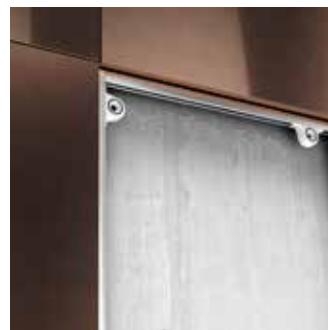
EB-2000-3



Item No.	Rod Qty	Rod Length (L)
EB-2000-3	2	39-3/8" (1000 mm) each



Stratlock®  
System



The Fastmount® Stratlock® System provides rapid installation of heavy panels to timber and steel or aluminum framework.



Scan for more  
Fastmount® info

It is designed specifically for interior applications to reduce on-site installation time. The FEMALE CLIP (SL-SFA) installs onto side of framework and it is joint with the MALE CLIP (SL-M18). The new solid internal load chassis creates 4mm supported movement of the panel in any direction.

Item No.	Description
SL-SFA	Female Clip
SL-M18	Male Clip

# TRIANGLE BRACKET



BK-TR



BK-TR200-SL



BK-TR100-WT



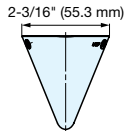
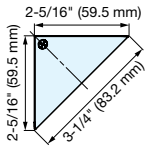
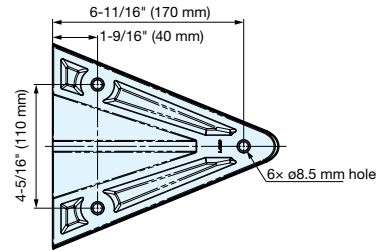
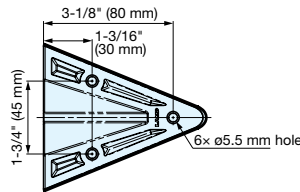
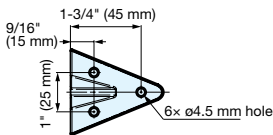
BK-TR60-BL

- Durable shelf bracket with a unique triangle design.
- Stylish appearance with concealed mounts.
- Mounting screws included for the base and cover.
- Cables can be wired and hidden through the inside of the bracket.
- Ideal for cafe/shop counter, work or study area, kitchen counter.

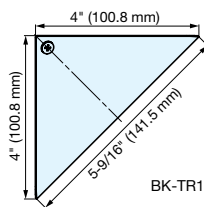
Can be used as pairs



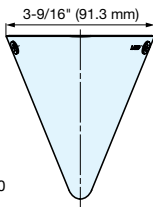
Can be used individually



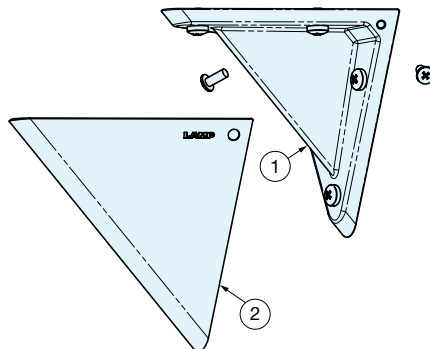
BK-TR60



BK-TR100



BK-TR200



No.	Part Name	Material	Finish
①	Base	Aluminium Alloy	Plain
②	Cover	Steel	Acrylic Baked Enamel Paint

Item Name	Finish	Load Capacity/ 1pc **
BK-TR60-SL	Silver	89.9 lbs (40.8 kg)
BK-TR60-WT	White	
BK-TR60-BL	Black	
BK-TR100-SL	Silver	179.8 lbs (81.6 kg)
BK-TR100-WT	White	
BK-TR100-BL	Black	
BK-TR200-SL	Silver	224.8 lbs (102 kg)
BK-TR200-WT	White	
BK-TR200-BL	Black	



# LAPCON DOOR DAMPER (Recessed Type)

LDD-V100

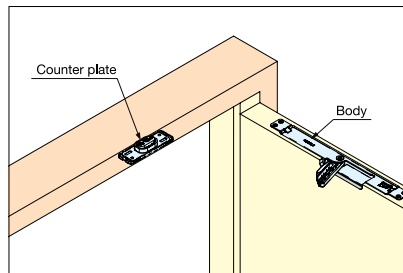
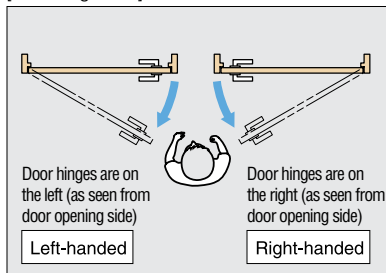


LDD-V100-NI-L shown.

Counter plate cover (Nickel/Dark brown)

- Door damper unit for interior, swinging doors.
- Grips door at final 15° and softly, self-closes doors more gently compared to other door closers, putting less stress on the hinges.
- Heavy Duty: Holds up to 220 lbs doors (100 kg).
- "Invisible" design minimizes visibility of hardware.
- Recommended Door Specifications:  
 Thickness: min. 1-9/16"~2-3/8"  
 Width: maximum 35-7/16"  
 Weight: 88~220 lbs
- Can be adjusted for door weight after installation.
- Counterplate position can be easily adjusted.
- Includes screws and paper template for installation.

[Door Hinge Side]

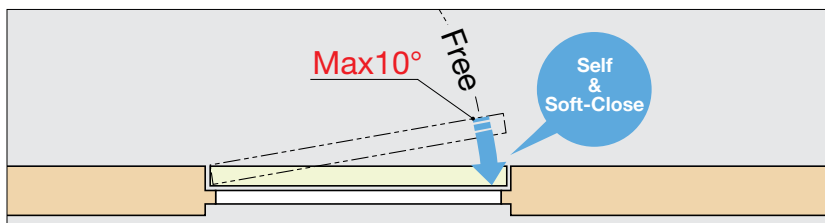


FOR MORE DETAILS  
 General Catalog Pg. 204

Item No.	Finish/Color	Type
LDD-V100-DBR-R	Dark Brown	Right
LDD-V100-DBR-L		Left
LDD-V100-NI-R	Nickel	Right
LDD-V100-NI-L		Left

# LAPCON DOOR DAMPER (Recessed Type)

LDD-V



- Door damper unit for interior, swinging doors.
- Grips door at final 10° and softly, self-closes doors more gently compared to other door closers, putting less stress on the hinges.
- "Invisible" design minimizes visibility of hardware.
- Recommended Door Specifications:  
 Thickness: minimum 33 mm (1-5/16")  
 Width: maximum 914 mm (3' 0")  
 Weight: 15~40 kg (33~88 lbs)
- Can be adjusted for door weight after installation. Counterplate position can be easily adjusted by removing cover and turning micro-adjustment screws.
- Includes screws and paper template for installation.

FOR MORE DETAILS  
 General Catalog Pg. 202

Item No.	Finish/Color	Type
LDD-V-R	Nickel/Grey	Right
LDD-V-L		Left

## NON-MAGNETIC TOUCH LATCHES

### MC-37



- Push to latch/unlatch.
- Strong retaining force: 17.6 Lbs (8 kg)
- Floating strike allows for easy alignment.
- Available in black, brown and white.

### MLC-100



- Push to latch/unlatch.
- Strong retaining force: 20.2 Lbs (9.2 kg)
- Self-adjusting strike plate: Vert.  $\pm 2$ /Hor.  $\pm 3.5$  mm.
- Long stroke 15/16" (23 mm), for thick doors.

## MAGNETIC PUSH-TO-OPEN LATCHES

### ML-80



- Magnetic force 3.5 lbs (1.6 kg)
- Push to latch/unlatch.
- Eliminates need for handles or knobs.
- White and brown finishes: RoHS compliant.

### ML-120



- Retaining force: 5.3 Lbs (2.4 kg)
- Long stroke for medium size doors.
- Push to latch/unlatch, CPSIA Compliant for furniture.
- Eliminates need for handles or knobs.

### ML-ZN80



- For doors up to 36" x 96" with a push force of 11 lbs.
- Can be used on doors weighing up to 200 lbs.
- Ideal for use with the HES3D-E190 Concealed Door Hinge series.
- Magnet allows tolerance with 1.5° swivel.
- Hidden Mounting Screw Design for clean appearance and easy installation.
- Passed 100,000 open/close private cycle test.

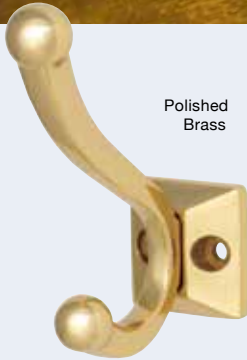
# Beyond Decorative!

Decorative Hooks can be the finishing touches to any environment. They add interesting details to simple and minimalistic styles, they also add personality and provide an opportunity to express unique personal style.

## PXB-BN05-211/231

Our Forged Brass Double Hook is the perfect accent to any classical or contemporary style. Built from luxurious solid brass, forged to perfection and finished with a clear lacquer to prevent tarnishing.

Polished Brass



Blasted Metal    Satin Brass    Antique Brass    Matte Black

## Aged and Forged Metals



Scan QR code to explore our full selection of decorative hooks



AGED CAST  
PXB-AC05-111  
Base: Brass

AGED BASE  
PXB-AB05-101,111  
Base: Brass

AGED SCREW  
PXB-AS05  
Base: Brass



PXB-BN05-211

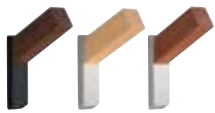


PXB-WM05-111-211



PXB-GR05-211

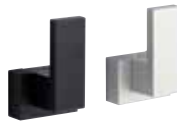
## Premium Materials



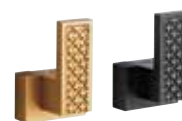
PREMIUM WOOD  
PXB-WM-5-111  
Base: Zinc Alloy, Steel  
Arm: Birch, Walnut, Hornbeam



LEATHER CHIC  
PXB-LE05-111  
Silicone Rubber, Zinc Alloy



URBAN METAL  
PXB-UM05-101  
Aluminum Alloy



URBAN METAL QUEST  
PXB-UM05101-Q1  
Aluminum Alloy, Brass



NORDIC RUBBER  
PXB-GN05-101  
Silicone Rubber, Stainless Steel

## Exceptionally Colorful



GOMU RANGER DOUBLE  
PXB-GR05-211  
Silicone Rubber,  
304 Stainless Steel



GOMU RANGER SINGLE  
PXB-GR05-111  
Silicone Rubber,  
304 Stainless Steel



RUBBER HOOK NORDIC  
PXB-GN05-101  
Silicone Rubber, Zinc Alloy

All our rubber hooks are reinforced with metal to provide a higher load capacity while staying safe in any environment and adding a colorful and playful accent to your room.





DSI-4251

■ Available in 6 sizes



Material	Finish
304 Stainless Steel	Satin, Black

DSI-4253

■ Available in 5 sizes



Material	Finish
304 Stainless Steel	Satin, Black

DSI-3250

■ Available in 4 sizes  
■ Available in 3 finishes



Material	Finish
304 Stainless Steel or Brass	Black, Satin, Antique Brass

Black

Satin

Antique Brass



DSI-4258

■ Available in 2 sizes



Material	Finish
304 Stainless Steel	Satin, Black

DSI-4257

■ Available in 2 sizes



Material	Finish
304 Stainless Steel	Satin, Black





## SMDH

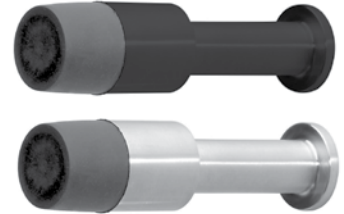
- Can be wall or floor mounted



Material	Finish
Polycarbonate	Brown, Ivory

## DSD-03

- Wall mount type
- Available in 3 sizes



Material	Finish
304 Stainless Steel	Satin, Black



## KMDH

- Can be wall or floor mounted



Material	Finish
Polycarbonate	Brown, Ivory

## DSD-02

- Floor mount type
- Available in 2 sizes



Material	Finish
304 Stainless Steel	Satin, Black



## SODH

- Can stop door at any angle



Material	Finish
Polyacetal, Ruber	Black, Brown

## HT-32P

- Features clear acrylic bumper



Material	Finish
304 Stainless Steel	Satin

# sugatsune.com



Sugatsune America  
18101 Savarona Way,  
Carson, CA 90746  
Toll Free: 800-562-5267  
sales@sugatsune.com



Sugatsune Canada, Inc.  
3775 Boulevard du Tricentenaire,  
Montréal, Québec H1B-5W3  
Toll Free: 833-312-5267  
support@sugatsune.ca  
www.sugatsune.ca

LIT-KBIS-2024

