



SLIDING DOOR HARDWARE



Image	Features	Height	Width	Thickness	Door Mounting Options		Track Mounting Options		PAGE # + Technical information available
Weight Capacity					Surface	Recessed	Ceiling	Short Bracket	Continuous Bracket

SOFT CLOSE SLIDING DOOR SYSTEMS (200 lbs)

FD80PD-RM2-RT										
	Recessed Mount Standard Closing	Max. 106-5/16" (2700 mm)	Minimum 30-7/8" (784 mm)	Minimum 1-5/16" (34 mm)	-	✓	✓	-	-	4-5
		Max. 176 lbs (80 kg)								
	Two-Way Soft-Close	Max. 106-5/16" (2700 mm)	Minimum 30-7/8" (784 mm)	Minimum 1-5/16" (34 mm)						
Max. 176 lbs (80 kg)										

FD80PD-SM2-RT										
	Surface Mount Standard Closing	Max. 106-5/16" (2700 mm)	Minimum 30-7/8" (784 mm)	Minimum 1-3/16" (30 mm)	✓	-	✓	-	-	6-9
		Max. 176 lbs (80 kg)								
	Two-Way Soft-Close	Max. 106-5/16" (2700 mm)	Minimum 30-7/8" (784 mm)	Minimum 1-3/16" (30 mm)						
Max. 176 lbs (80 kg)										

SDR-RA80-RM										
	Recessed Mount Standard Closing	-	Minimum 25-9/16" (650 mm)	Minimum 1-1/8" (28 mm)	-	✓	✓	-	✓	10-11
		Max. 200 lbs (90 kg)								
	Two-Way Soft-Close	-	Minimum 33-7/16" (850 mm)	Minimum 1-1/8" (28 mm)						
Max. 200 lbs (90 kg)										

SDR-RA80-SM										
	Surface Mount Standard Closing	-	Minimum 25-9/16" (650 mm)	Minimum 1-1/16" (27 mm)	✓	-	✓	-	✓	12-13
		Max. 200 lbs (90 kg)								
	Two-Way Soft-Close	-	Minimum 33-7/16" (850 mm)	Minimum 1-1/16" (27 mm)						
Max. 200 lbs (90 kg)										

SLIDING DOOR SYSTEMS (176 lbs ~ 660 lbs)

SDR-A125										
	Heavy-Duty	-	Minimum 1-3/8" (35 mm) Maximum 19-11/16" (500 mm)	Minimum 1-3/8" (35 mm)	✓	✓	✓	✓	-	14-15
		Max. 275lbs (125 kg)								

SDR-A300										
	Super Heavy-Duty	-	Minimum 23-5/8" (600 mm)	Minimum 1-3/8" (35 mm)	✓	✓	✓	✓	-	16-17
		Max. 600 lbs (300 kg)								

Image	Features	Height	Width	Thickness	Door Mounting Options		Track Mounting Options		PAGE # + Technical information available
Weight Capacity									

FOLDING DOOR SYSTEMS (88 lbs)

SDR-A84D									
	No Floor Guide Needed	-	Minimum 21-1/32" (550 mm)	1-3/8"~2" (35 mm~50 mm)		This bi-folding system allows for up to 25 different door combinations.	18-19	88 lbs(40 kg) per door	

SOFT CLOSE SLIDING DOOR SYSTEMS (200 lbs)

SDR-RA80SYN									
	Synchronized Soft-Close	-	Minimum 28-1/8" (715 mm) Maximum 59-1/6" (15000 mm)	Minimum 1-1/16" (27 mm)		This system allows two doors to part in a synchronized action.	20-21	88 lbs/176lbs (40/80 kg)	

SDR-A125SYN									
	Synchronized Easy Ceiling Installation	-	19-11/16"~47-1/4" (5000 mm ~ 1200 mm)	1-3/8" (35 mm)		This system allows two doors to part in a synchronized action.	22-23	Max. 275lbs (125 kg)	

SPECIALTY DOOR SYSTEMS (66 lbs ~ 176 lbs)

MFU-1200									
	Heavy-Duty Flush Sliding Door System	-	Minimum 31-1/2" (800 mm)	Minimum 1-3/16" (30 mm)		This system is designed to close flush against surrounding walls, providing a flawless appearance.	24-27	Max. 154 lbs (70 kg)	

LM-80									
	Self-Closing	-	Minimum 27-9/16" (700 mm) Maximum 47-1/4" (1200 mm)	1/2" (13 mm) or 1-1/8"~1-9/16" (28~40 mm)		This system is equipped with a damper for smooth and soft closing, eliminating the slamming of the door	28	66~176 lbs per door (30~80 kg)	

SLIDING DOOR ACCESSORIES

DOOR HANDLES	RECESSED PULLS	DOOR	HATCH PULLS	FINGER PULLS	* This is a brief overview. For full details see our online or physical catalog.	29-39
--------------	----------------	------	-------------	--------------	--	-------

RECESSED MOUNT SLIDING POCKET DOOR SYSTEM

FD80DHCHP-PD

SLIDING & FOLDING
DOOR HARDWARE

SOFT CLOSE SYSTEM (MAX. 176 LBS)

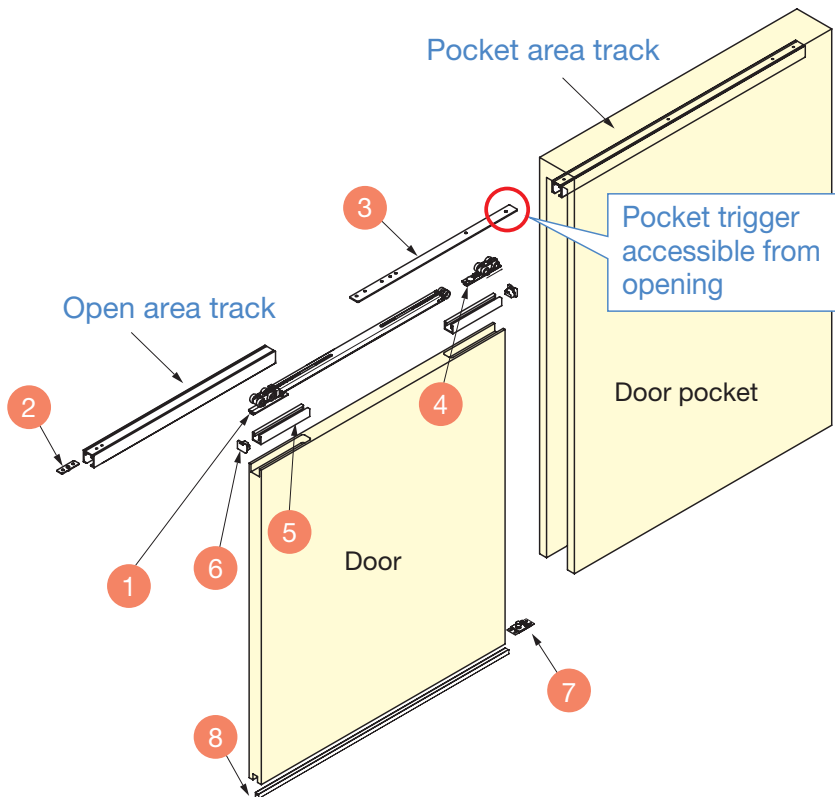


Type	FD80DHCHP-PD Recessed Mount Sliding Door
Roller	Top Recessed
Track Mounting	Ceiling
Door Weight	Max. 176 lbs (80 kg)
Door Thickness	Recessed: 1-5/16" (34 mm)
Door Width	30-7/8" ~ 59-1/16" (784-1500 mm) [98-7/16" (2500 mm) or less in height] 33-7/16" ~ 59-1/16" (850-1500 mm) [98 7/16" ~ 106-5/16 (2501-2700 mm) in height]

- Easy installation and maintenance
- Built-in soft-close and soft-open damper
- Two-rail system, allows all components to be fixed or adjusted through the opening without breaking the pocket (sold separately)
- Use with removable jam/trim/casing
- For interior use only
- Rollers are surface mounted to top of door
- High durability, passed 200,000 cycle test (private)

How to order

1. Select track and track length
2. Choose hardware set



Scan to Watch the Door in Action!



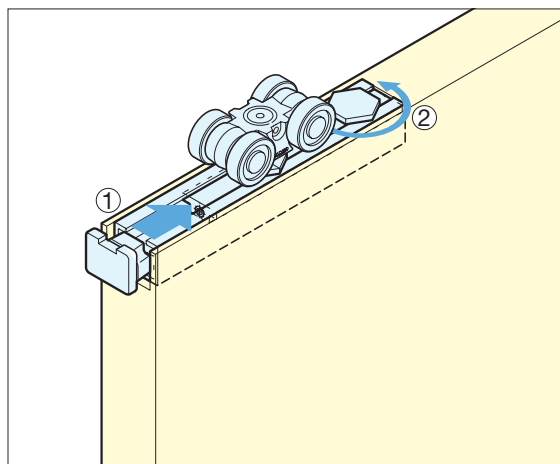
Parts Set (Per Door)		Necessary Parts
Item Code	Item Name	Description
250-029-771	FD80DHCHP-PD	Recessed Roller Two-Way Soft Close

Parts Included

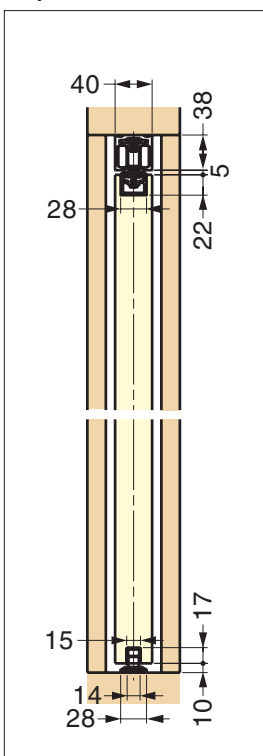
No.	Qty	Part Name	Dimensions	Description
1	1 pc	Recessed Mount Roller Two-Way Soft Close		Item Name: FD80-WRH-DSC • Material Zinc Alloy (ZDC) / Polyacetal (POM) • Finish / Colour Nickel / Black Remarks: Do not use the included trigger.
2	1 pc	Front Trigger		Item Name: FD80-TRGPF • Material Stainless Steel (SUS304) • Finish: Plain
3	1 pc	Pocket Trigger		Item Name: FD80-TRGPB-MB • Material Stainless Steel (SUS304) • Finish: Plain
4	1 pc	Recessed Roller		Item Name: FD80-WRH • Material Zinc Alloy (ZDC) / Polyacetal (POM) • Finish / Colour Nickel / Natural
5	2 pcs	Hanging Bracket (160 mm)		Item Name: FD70B-HB160 • Material: Aluminium Alloy • Finish: Anodized Silver • Screw: Pan Head Tapping Screw 5x40
6	2 pcs	End Cap		Item Code: 250-121-142 Item Name: FD70B-EC-BL • Material Elastomer (TPE) • Colour Black
7	1 pc	Floor Guide		Item Name: FD50-BGR18 • Material Stainless Steel (SUS430) / Polyacetal (POM) • Finish / Colour Polished / Natural • Screw Raised Countersunk Head Tapping Screw 3.5x30
8	1 pc	Bottom Guide Rail (1500 mm)		Item Name: FD30-HBRT1500SIL • Material: Aluminium Alloy • Finish: Anodized Silver

Upper Track		Necessary Parts			
No.	Length	Item Code	Part Name	Dimensions	Desc.
9	1260 mm	FD80-TRP1260-SL	Upper Track 		• Material Aluminium Alloy • Finish Anodized Silver
10	2160 mm	FD80-TRP2160-SL			
11	2760 mm	FD80-TRP2760-SL			
12	3960 mm	FD80-TRP3960-SL			

Top Surface Roller



Surface Track Top Recessed Roller



SURFACE MOUNT SLIDING POCKET DOOR SYSTEM

FD80DHCMP-PD

SLIDING & FOLDING
DOOR HARDWARE

SOFT CLOSE SYSTEM (MAX. 176 LBS)

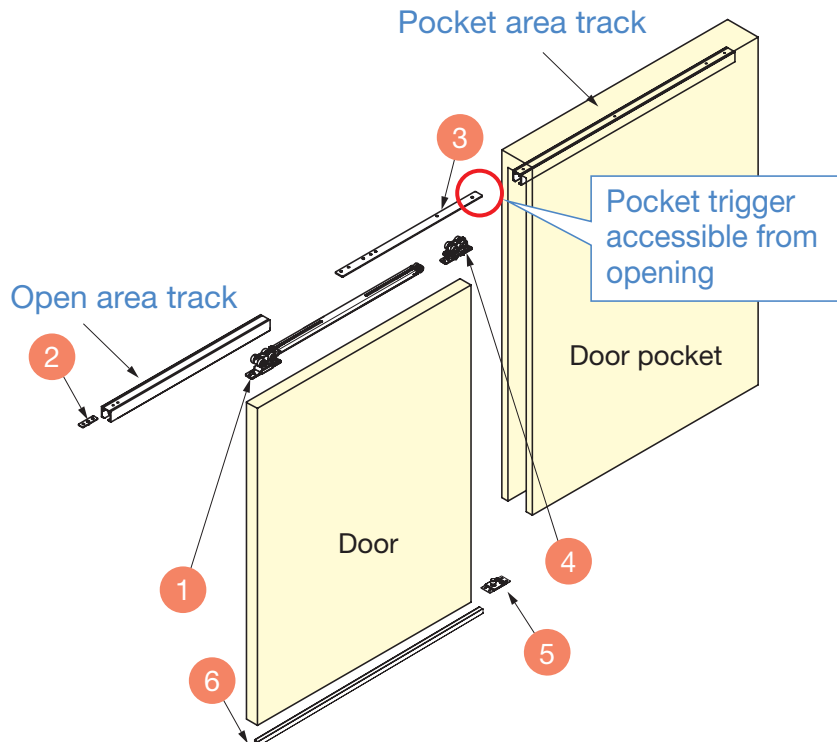


Type	FD80DHCMP-PD
	Recessed Mount Sliding Door
Roller	Top Recessed
Track Mounting	Ceiling
Door Weight	Max. 176 lbs (80 kg)
Door Thickness	Surface: 1-3/16" (30 mm)
Door Width	30-7/8" ~ 59-1/16" (784-1500 mm) [98-7/16" (2500 mm) or less in height] 33-7/16" ~ 59-1/16" (850-1500 mm) [98 7/16" ~ 106-5/16 (2501-2700 mm) in height]

- Easy installation and maintenance
- Built-in soft-close and soft-open damper
- Two-rail system, allows all components to be fixed or adjusted through the opening without breaking the pocket (sold separately)
- Use with removable jam/trim/casing
- For interior use only
- Rollers are surface mounted to top of door
- High durability, passed 200,000 cycle test (private)

■ How to order

1. Select track and track length
2. Choose a hardware set



Scan to Watch the Door in Action!



Parts Set (Per Door) **Necessary Parts**

Item Code	Item Name	Description
250-029-722	FD80DHCMP-PD	Surface Mount Roller Two-Way Soft Close

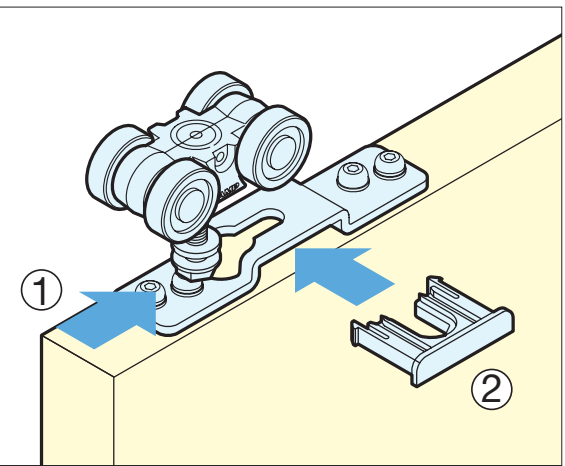
Parts Included

No.	Qty	Part Name	Dimensions	Description
1	1 pc	Surface Mount Roller Two-Way Soft Close		Item Name: FD80-WRM-DSC Material: Steel / Polyacetal (POM) Finish: Chromate / Black Screw: Pan Head Tapping Screw 4x45 Remark: Do not use the included trigger.
2	1 pc	Front Trigger		Item Name: FD80-TRGPF Material: Stainless Steel (SUS304) Finish: Plain
3	1 pc	Pocket Trigger		Item Name: FD80-TRGPB-MB Material: Stainless Steel (SUS304) Finish: Plain
4	1 pc	Surface Mount Roller		Item Name: FD80-WRM Material: Zinc Alloy (ZDC) / Polyacetal (POM) Finish: Nickel / Natural Screw: Pan Head Tapping Screw 4x45
5	1 pc	Floor Guide		Item Name: FD50-BGR18 Material: Stainless Steel (SUS430) / Polyacetal (POM) Finish: Countersunk / Natural Screw: Pan Head Tapping Screw 4x45
6	1 pc	Bottom Guide Rail (1500 mm)		Item Name: FD30-HBRT1500SIL Material: Aluminium Alloy Finish: Anodized Silver

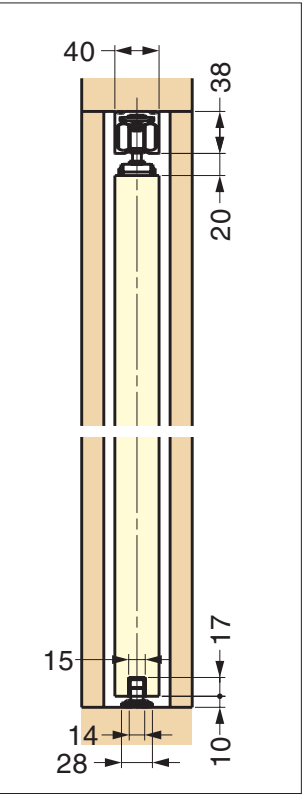
Upper Track **Necessary Parts**

No.	Length	Item Code	Part Name	Dimensions	Desc.
7	1260 mm	FD80-TRP1260-SL	Upper Track 		Material: Aluminium Alloy Finish: Anodized Silver
8	2160 mm	FD80-TRP2160-SL			
9	2760 mm	FD80-TRP2760-SL			
10	3960 mm	FD80-TRP3960-SL			

Door Installation



Surface Track
Top Recessed Roller







RECESSED MOUNT SLIDING DOOR HARDWARE (Door Weight 200 lbs) SDR-RA80-RM



Type	SDR-RA80-RM	
	Recessed Mount Sliding Door	
Roller	Top Recessed	
Track Mounting	Ceiling	Wall w/Continuous Bracket
Door Weight	Max. 200lbs (90 kg)	
Door Thickness	Min. 1-1/8" (28 mm)	
Door Width	Two-Way Soft Close Min. 33-7/16" (850 mm) Standard Close Min. 25-9/16" (650 mm)	








- 200lbs (90kg)
- Ceiling and Barn Door Mount
- Recessed Mounted door brackets
- Double rollers with ball bearings
- Quiet precision movement
- Soft Close Feature
- Low profile minimum gap of 1/8" (3mm)
- Vertical Adjustment $\pm 1/16"$ (1mm)

How to order





1. Select track and track length
 - 1A. Select any optional parts for track
2. Choose a hardware set (dual soft closing or standard)

Ordering Information

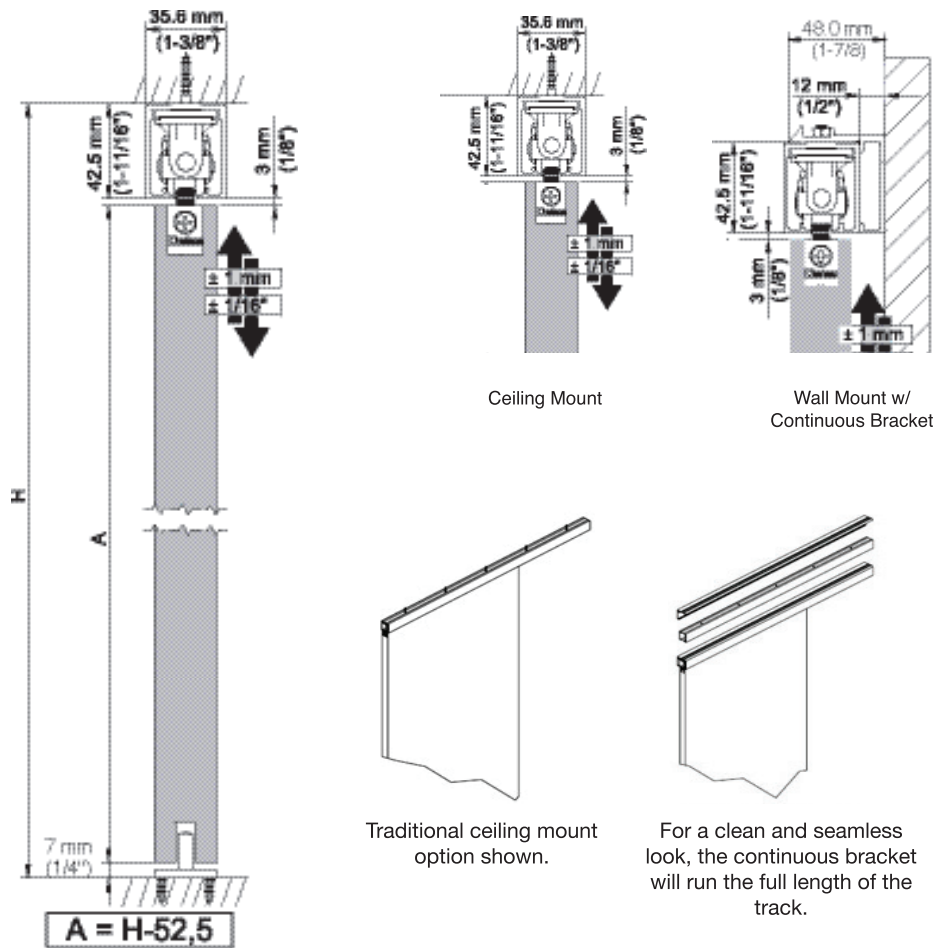
1. Track Options

Track Type	Length	Item No.	Description	
Standard Aluminum Track	78-3/4" (2000 mm)	SDR-RA80-2000		
	118-1/8" (3000 mm)	SDR-RA80-3000		
False Ceiling Aluminum Track	78-3/4" (2000 mm)	SDR-RA80-TC-2000		
1A Optional Parts for Track				
 SDR-RA80WL-2000 SDRR-RA80WL-3000 Wall Mount Bracket	 SDR-RA80-8083 End Cover for Track	 SDR-RA80-8085 End Cover for Track & Wall Mount Bracket	 SDR-A-4140 Bottom Guide Roller	 SDR-A-4131 Bottom Guide Channel

2. Hardware Set

Closing Feature	Item No.	Set Details
Two-Way Soft-Close	SDR-RA80-SM-DSC	  (1) SDR-RA80-8084 Recessed Bracket + (2) SDR-RA80-8006 Soft Close Rollers
Standard Closing	SDR-RA80-SM-RR	  (1) SDR-RA80-8084 Recessed Bracket + (2) SDR-RA80-8080 Standard Rollers

TRACK MOUNTING OPTIONS



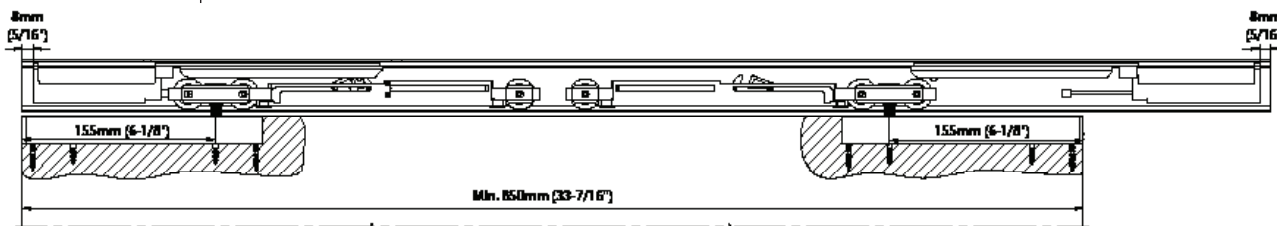
Traditional ceiling mount option shown.

For a clean and seamless look, the continuous bracket will run the full length of the track.

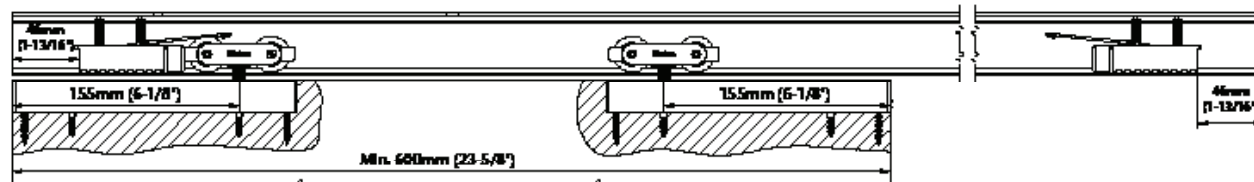
Track Details

Two-Way Soft Close

* Complete smooth and silent soft close motion in both directions



Standard Closing



SURFACE MOUNT SLIDING DOOR HARDWARE (Door Weight 200 lbs) SDR-RA80-SM



Type	SDR-RA80-SM	
	Surface Mount Sliding Door	
Roller	Top Surfaced	
Track Mounting	Ceiling	Wall w/Continuous Bracket
Door Weight	Max. 200lbs (90 kg)	
Door Thickness	Min. 1-1/8" (28 mm)	
Door Width	Two-Way Soft Close Min. 33-7/16" (850 mm) Standard Close Min. 25-9/16" (650 mm)	








- 200lbs (90kg)
- Ceiling and Barn Door Mount
- Surface Mounted door brackets
- Double rollers with ball bearings
- Quiet precision movement
- Soft Close Feature
- Vertical Adjustment $\pm 1/16"$ (1mm)

How to order

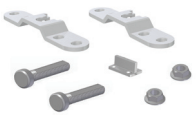



1. Select track and track length
 - 1A. Select any optional parts for track
2. Choose a hardware set (dual soft closing or standard)

Ordering Information

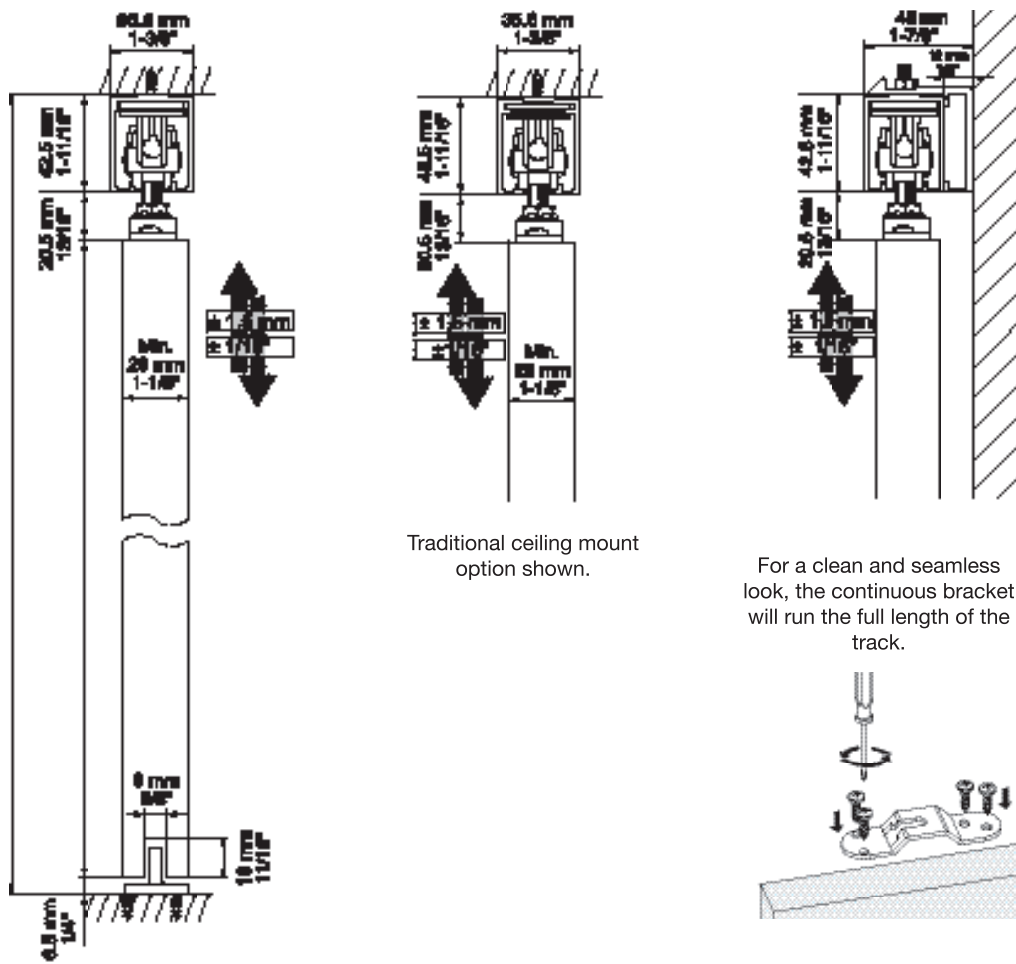
1. Choose a Track

Track Type	Length	Item No.	Description	
Standard Aluminum Track	78-3/4" (2000 mm)	SDR-RA80-2000		
	118-1/8" (3000 mm)	SDR-RA80-3000		
False Ceiling Aluminum Track	78-3/4" (2000 mm)	SDR-RA80-TC-2000		
1A Optional Parts for Track				
 SDR-RA80WL-2000 SDR-RA80WL-3000 Wall Mount Bracket	 SDR-RA80-8083 End Cover for Track	 SDR-RA80-8085 End Cover for Track & Wall Mount Bracket	 SDR-A-4140 Bottom Guide Roller	 SDR-A-4131 Bottom Guide Channel

2. Hardware Set

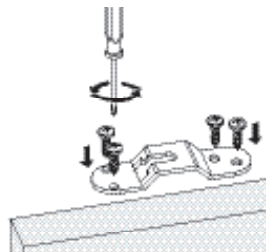
Closing Feature	Item No.	Set Details
Dual Soft Close	SDR-RA80-SM-DSC	 <p>(1) SDR-RA80-SM-KIT Surface Mount Brackets</p>  <p>(2) SDR-RA80-8006 Soft Close Rollers</p>
Standard Closing	SDR-RA80-SM-RR	 <p>Surface Mount Brackets</p>  <p>(2) SDR-RA80-8080 Standard Rollers</p>

TRACK MOUNTING OPTIONS



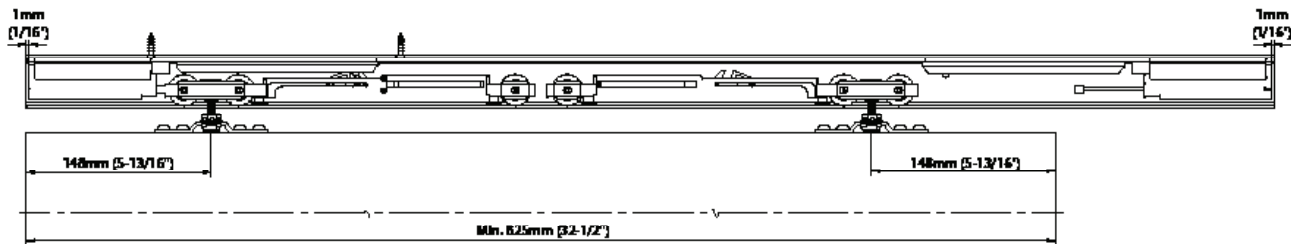
Traditional ceiling mount option shown.

For a clean and seamless look, the continuous bracket will run the full length of the track.

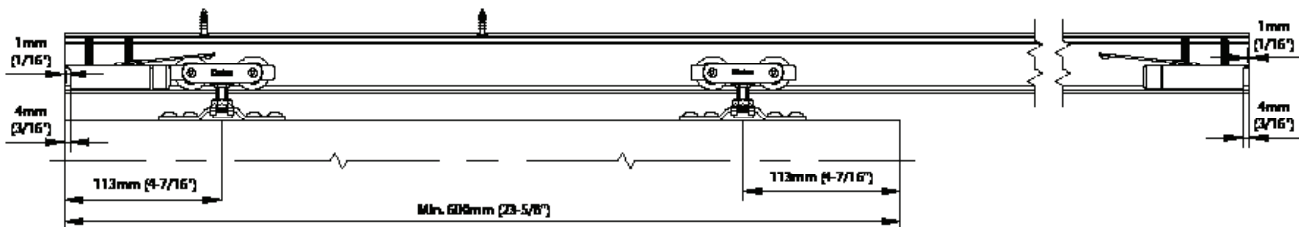


Two-Way Soft Close

* Complete smooth and silent soft close motion in both directions



Standard Closing



SLIDING DOOR HARDWARE (Door Weight 275 lbs)

SDR-A125

SLIDING & FOLDING
DOOR HARDWARE

SLIDING DOOR SYSTEM (Max. 275 LBS)



Type	SDR-A125	
	Standard Sliding	
Roller	Top Recessed	Top Surface
Door Weight	Max. 275 lbs (125 kg)	
Door Thickness	Min. 1-3/8" (35 mm)	
Door Width	Min. 19-11/16" (500mm)	
Door Height	Max. 98-7/16" (2500 mm)	

- 275lbs (125 kg)
- Ceiling mount
- Recessed and Top Surface Mounted door brackets
- Double rollers with ball bearings
- Quiet precision movement
- Low profile minimum gap of 1/8" (3mm) Recess mount
- Vertical Adjustment
 - o Recessed mount ± 1/16" (1mm)
 - o Surface mount ± 1/8" (2.5mm)

■ How to order

1. Select track and track length
- 1A. Select any optional parts for track
2. Select a hardware set

Ordering Information

1. Track Options

Track Type	Length	Item No.	Description
Standard Aluminum Track	118-1/8" (3000 mm)	SDR-A125-3000	
False Ceiling Aluminum Track	118-1/8" (3000 mm)	SDR-A125-12532	

1A Optional Parts for Track

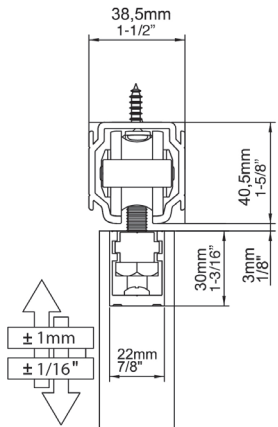
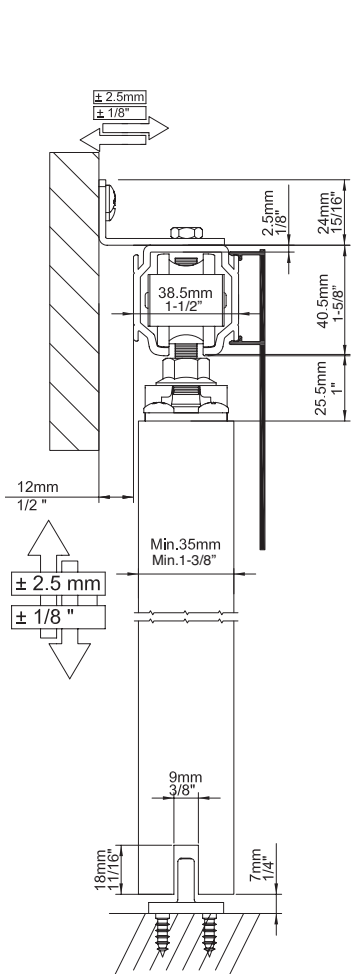
 SDR-A125-10433 Clip-on Fascia	 SDR-A-6056 Clip-on Bracket for Timber	 SDR-A125-12557 End Caps for Track	 SDR-A81-6961 Aluminum Separator
 SDR-A-4131 Bottom Guide Channel	 SDR-A-4140 Botto Guide Roller	 SDR-A300-30064 Short Bracket	

2. Hardware Set

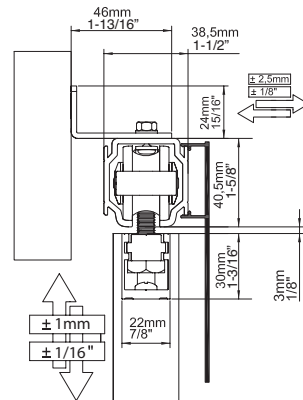
Door Mount	Item No.	Set Details
Standard Closing	SDR-A125TS-PRT	 Top Surface Roller Set

TRACK MOUNTING OPTIONS

Top Recessed (SDR-A125TR)

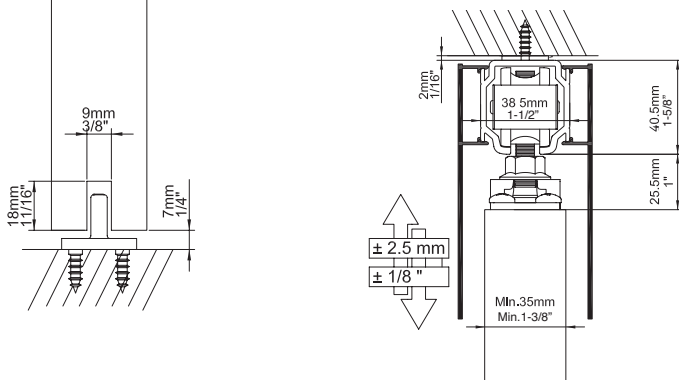


Ceiling Mount
Traditional Ceiling
Mount Option Shown
with Recessed Rollers

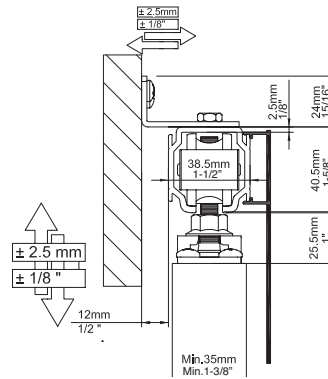


Wall Mount w/ Short Bracket
Top track short bracket for Barn
Door style mounting that allows
fast and simple installation

Top Surface (SDR-A125TS)



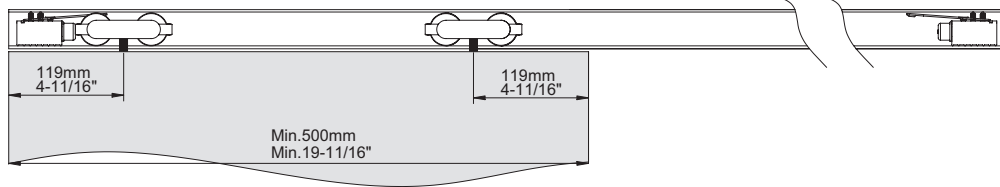
Ceiling Mount
Traditional Ceiling
Mount Option Shown.
Fascia can be mounted
on both sides if needed



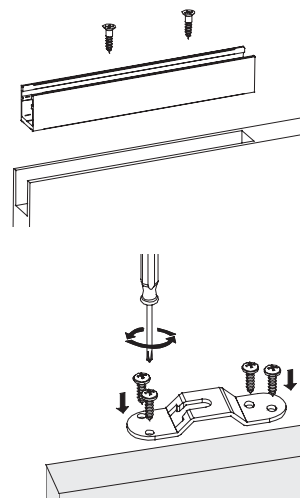
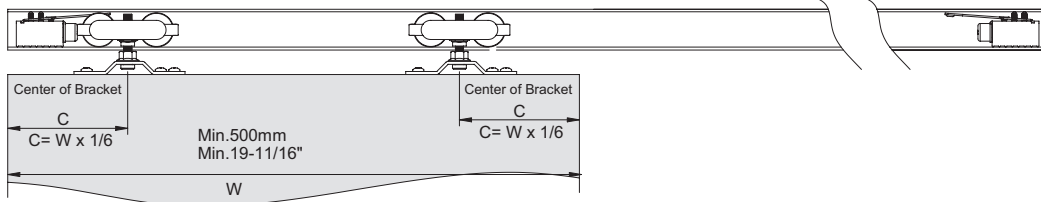
Wall Mount w/ Short Bracket
Top track short bracket for Barn
Door style mounting that allows
fast and simple installation

Track Details

Top Recessed



Top Surface



SLIDING DOOR HARDWARE (Door Weight 660 lbs)

SDR-A300

SLIDING & FOLDING DOOR HARDWARE

SLIDING DOOR SYSTEM (Max. 660 LBS)



Type	SDR-A300	
	Standard Sliding	
Roller	Top Recessed	Top Surfaced
Door Weight	Max. 660 lbs (300 kg)	
Door Thickness	Min. 1-3/8" (35 mm)	
Door Width	Min. 23-5/8" (600mm)	


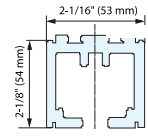




- 660lbs (300 kg) Heavy Duty Model
- Ceiling and Barn Door Mount
- Recessed and Top Surface Mounted door brackets
- Double rollers with ball bearings
- Quiet precision movement
- Low profile minimum gap of 1/8" (3mm) Recess Mount
- Vertical Adjustment $\pm 1/16"$ (1mm)
 - o Recessed mount $\pm 1/4"$ (6mm)
 - o Surface mount $\pm 1/16"$ (2mm)

■ How to order

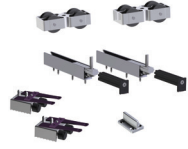

1. Select track and track length
- 1A. Select any optional parts for track
2. Select a mounting type

Ordering Information

1. Track Options

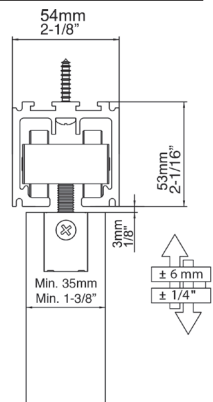
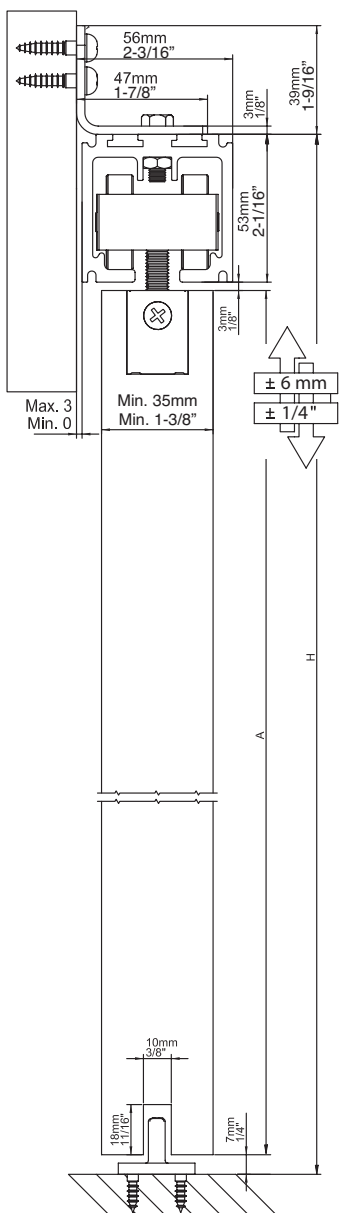
Track Type	Length	Item No.	Description
Standard Aluminum Track	118-1/8" (3000 mm)	SDR-A300-3000	 
1A Optional Parts for Track			
 SDR-A-4131 Bottom Guide Channel	 SDR-A300-30057 End Caps for Tracks	 SDR-A-4140 Bottom Guide Roller	 SDR-A300-30064 Short Bracket

2. Hardware Set

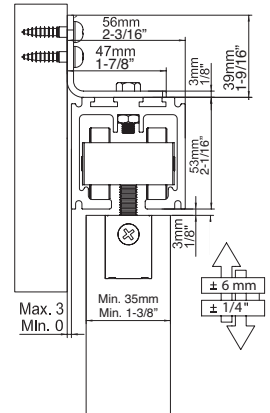
Door Mount	Item No.	Set Details
Top Recessed	SDR-A300TR-PRT	 Top Surface Roller Set
Top Surface	SDR-A300TS-PRT	 Top Surface Roller Set

TRACK MOUNTING OPTIONS

Top Recessed (SDR-A300TR)

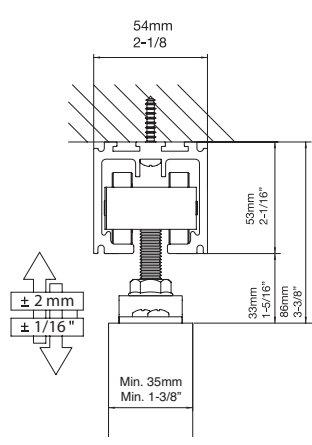


Ceiling Mount
Traditional Ceiling
Mount Option Shown
with Recessed Rollers

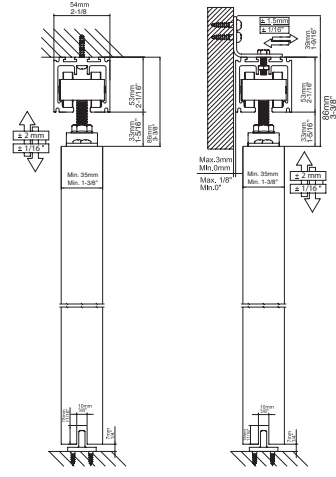


Wall Mount w/ Short Bracket
Top track short bracket for Barn
Door style mounting that allows
fast and simple installation

Top Surface (SDR-A300TS)



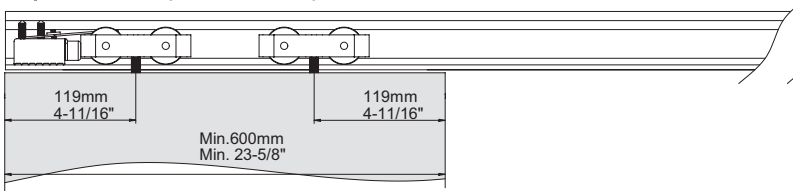
Ceiling Mount
Traditional Ceiling
Mount Option Shown.
Fascia can be mounted
on both sides if needed



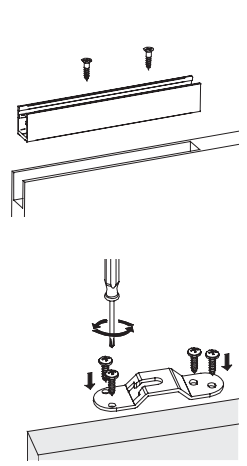
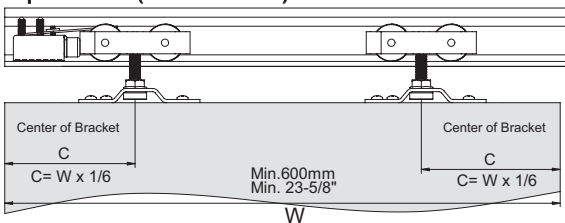
Wall Mount w/ Short Bracket
Top track short bracket for Barn
Door style mounting that allows
fast and simple installation

Track Details

Top Recessed (SDR-A300TR)



Top Surface (SDR-A300TS)



FOLDING DOOR HARDWARE (Door Weight 88 lbs per door)

SDR-A84D

SLIDING & FOLDING
DOOR HARDWARE

FOLDING DOOR SYSTEM (Max. 88 LBS per panel)



Type	SDR-A84D	
	Folding Door	
Roller	Top Recessed	
Track Mounting	Ceiling	
Door Weight	Max. 88lbs (40 kg) Per Panel	
Door Thickness	1-3/8"(35 mm) ~ 2" (50 mm)	
Door Panel Width	Min. 21-1/32"(550 mm)	
Door Width	Two Doors: Max. 39-3/8" (1000 mm)	Four Doors: Max. 29-1/2" (750 mm)

- 88lbs per panel capacity
- Compatible with 2 or 4 doors
- Ceiling mount options
- Recessed Mounted door brackets
- Concealed Hinges Recommended
- Double rollers with ball bearings
- Quiet precision movement
- Low profile minimum gap of 3/16" (5mm)
- Recess Mount
- Optional bottom track (not required)

■ How to order

1. Select track and track length
- 1A. Select any optional parts for track
2. Select a hardware set
- 2A. Select any optional parts for hardware set

1. Track Options

Track Type	Length	Item No.	Description
Standard Aluminum Track	78-3/4" (2000 mm)	SDR-A84D-2000	
	118-1/8" (3000 mm)	SDR-A84D-3000	
False Ceiling Aluminum Track	118-1/8" (3000 mm)	SDR-A84D-TC-3000	

1A Optional Parts for Track

 SDR-A-4131 Bottom Guide Channel	 SDR-A-4110 Bottom Guide Roller
--	---------------------------------------

2. Hardware Set

Track Type	Load Rating Per Door	Item No.	Set Details
Two Door Assembly	Up to 66 lbs	SDR-A84D-2D-2HDC	 (1) Set for (1) Pair of Doors
	Up to 88 lbs	SDR-A84D-2D-3HDC	
Four Door Assembly	Up to 66 lbs	SDR-A84D-4D-4HDC	 (1) Set for (1) Pair of Doors
	Up to 88 lbs	SDR-A84D-4D-6HDC	

1A Optional Parts for Track

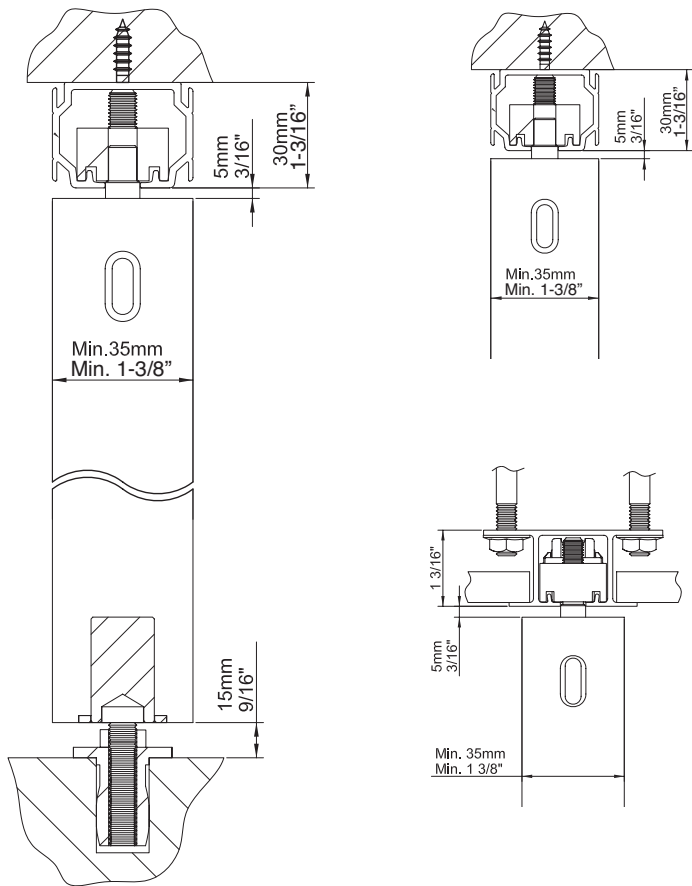
 SDR-A84D-8800 Set for Pair of Doors	 SDR-A84D-8801 Set for Single Doors	 SDR-A84D-8802 Set for Second Pair of Doors
--	---	---

* As necessary, can be used with knuckle hinges etc..

TRACK MOUNTING OPTIONS

SLIDING & FOLDING
DOOR HARDWARE

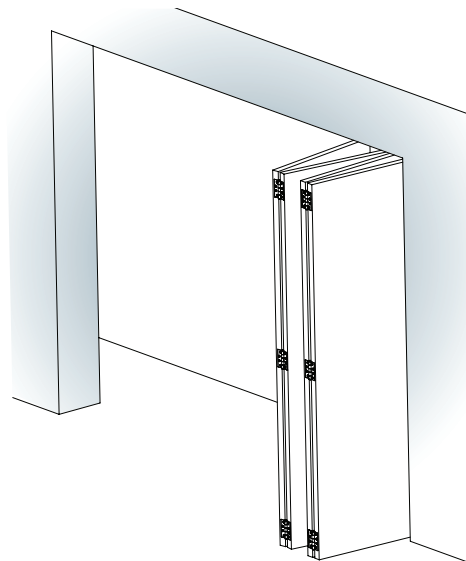
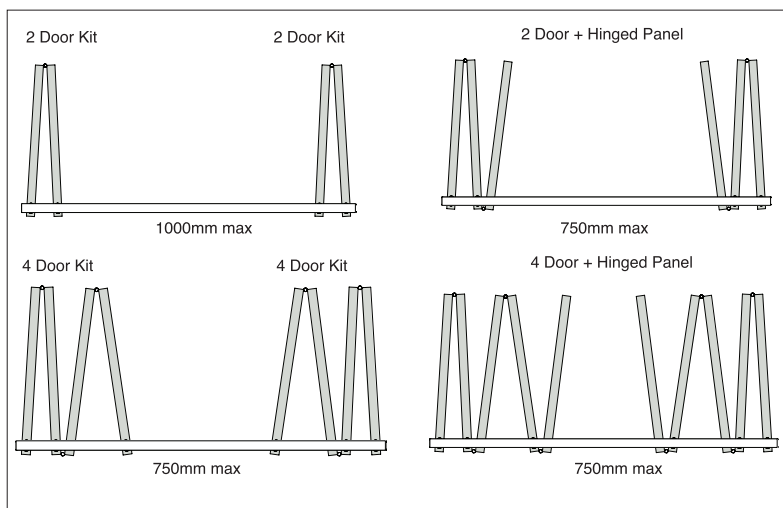
FOLDING DOOR SYSTEM (Max. 88 LBS per panel)



Ceiling Mount
Standard ceiling mount for doorways and closets. Requires 1-3/8" thick doors.

False Ceiling Mount
False ceiling mount for room partition applications. Requires 1-3/8" minimum thick doors. Hardware for sliding doors is completely concealed.

■ Configuration Options





Type	SDR-RA80SYN	
	Synchronized Bi-Parting	
Roller	Top Surface Mount	
Track Mounting	Ceiling	Wall w/Continuous Bracket
Door Weight	Max. 176lbs (80 kg)	
Door Thickness	Min. 1-1/16"(27 mm)	
Door Width	40 kg door (88 lbs) Min: 28-1/8" (715 mm) Max: 59-1/16" (1500mm)	80 kg door (176 lbs) Min: 36" (915 mm) Max: 59-1/16" (1500mm)

- Successfully passed 100,000 cycles test (private).
- 176lbs (80kg)
- Ceiling and Wall/Barn Door Mount
- Surface Mounted Door Brackets
- Double Rollers with Ball Bearings
- Quiet Precision Movement
- Soft Close Feature
- Vertical Adjustment $\pm 1/16"$ (1mm)

■ How to order

1. Select track and track length
 - 1A. Select any optional parts for track
2. Choose a hardware set (dual soft closing or standard)

Ordering Information

1. Track Options

Track Type	Length	Item No.	Description
Standard Aluminum Track	78-3/4" (2000 mm)	SDR-A84D-2000	
	118-1/8" (3000 mm)	SDR-A84D-3000	
1A Optional Parts for Track			
<p>SDR-RA80WL-2000 SDR-RA80WL-3000 Wall Mount Bracket</p>	<p>SDR-RA80-8083 End-Cover for Track</p>	<p>SDR-RA80-8085 End Cover for Track & Wall Mount Bracket</p>	

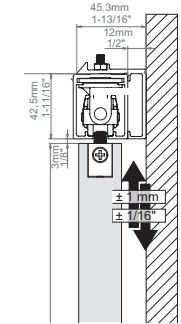
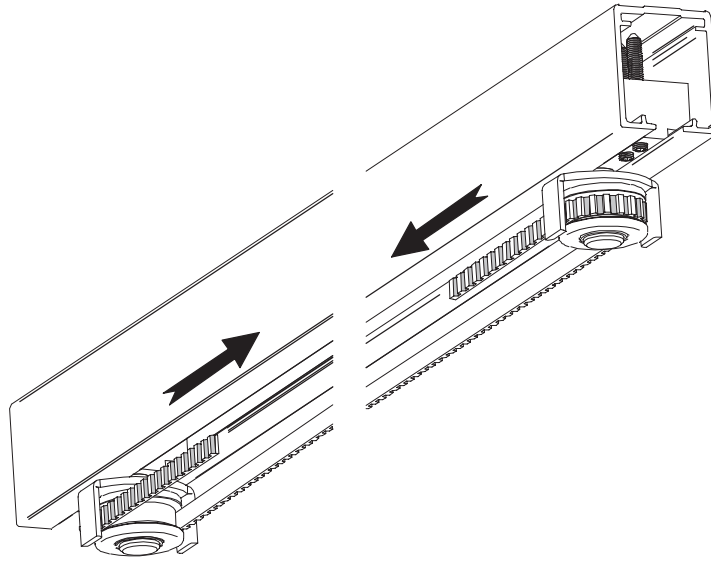
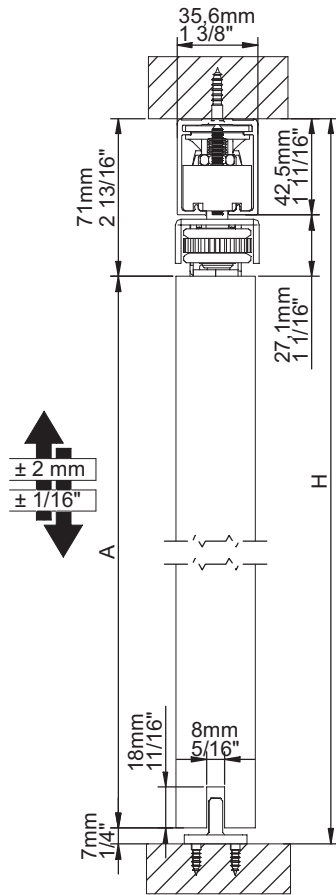
2. Hardware Set

Load Rating (Per Door)	Item No.	Set Details
Up to 88 lbs (40 kg)	SDR-RA80SYN-40	<p>Roller & Surface Door Mount Synchronized Set</p>
Up to 176 lbs (80 kg)	SDR-RA80SYN-80	<p>Roller & Surface Door Mount Synchronized Set</p>

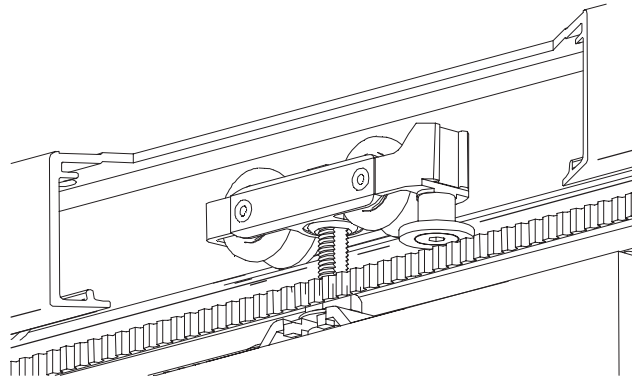
TRACK MOUNTING OPTIONS

SLIDING & FOLDING
DOOR HARDWARE

SOFT CLOSE SYNCHRONIZED SYSTEM (MAX. 180 LBS)

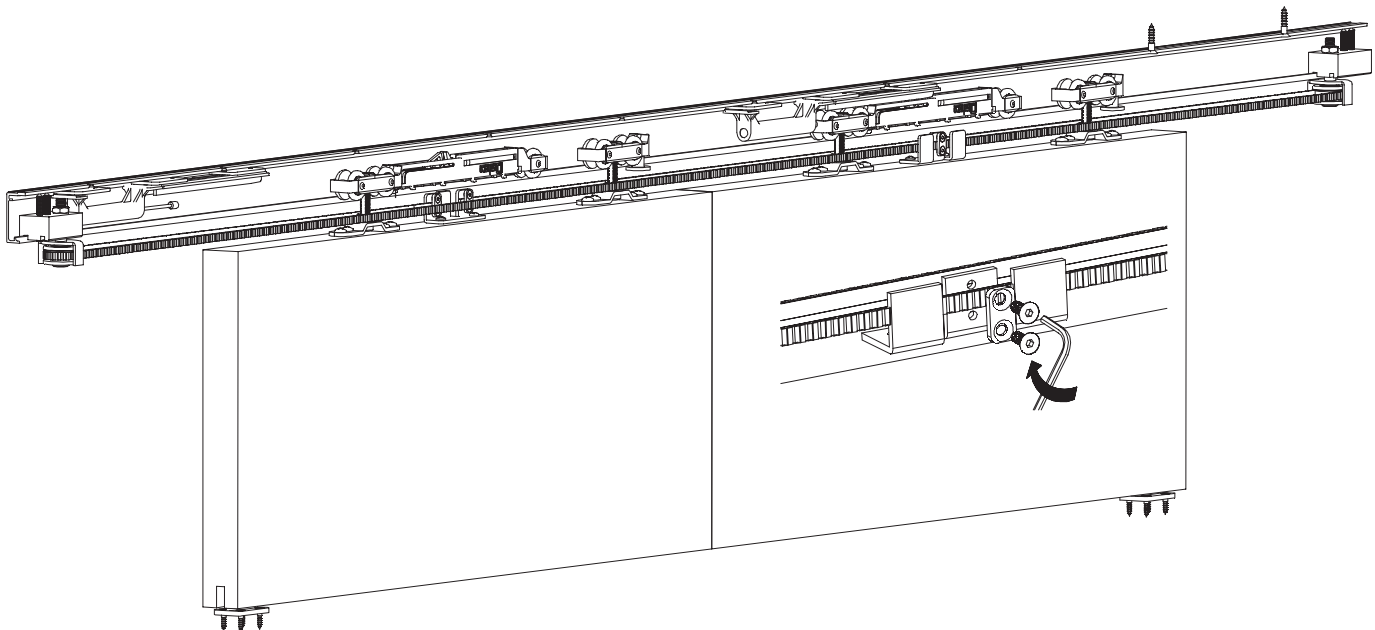


Wall Mount w/
Continuous Bracket



Synchronized system features an anti-jump
feature attached to the rollers.

This synchronous system allows 2 doors to
open simultaneously. Can hold doors up to 88
lbs or 176 lbs., depending on the door width.



SYNCHRONIZED SLIDING DOOR HARDWARE (Door Weight 275 lbs) **SDR-A125SYN**

SLIDING & FOLDING
DOOR HARDWARE

SYNCHRONIZED SLIDING DOOR SYSTEM (Max. 275 LBS)



Type	SDR-A125SYN
	Bi-Parting Synchronizing
Track Mounting	Ceiling
Door Weight	Max. 275 lbs (125 kg)
Door Thickness	Min. 1-3/8" (35 mm)
Door Width	23-5/8" (600mm) ~ 47-1/4" (1200mm)

- 275lbs (125 kg)
- Smooth Bi-Parting synchronized function
- Ceiling Mount
- Surface Mounted door brackets
- Double rollers with ball bearings
- Quiet precision movement
- Vertical Adjustment $\pm 1/8"$ (2.5mm)

■ How to order

1. Choose track and track length
- 1A. Select any optional parts for track
2. Select a hardware set

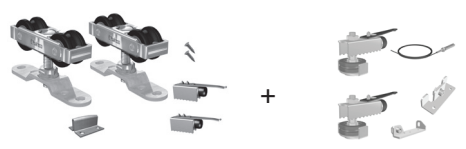
Ordering Information

1. Track Options

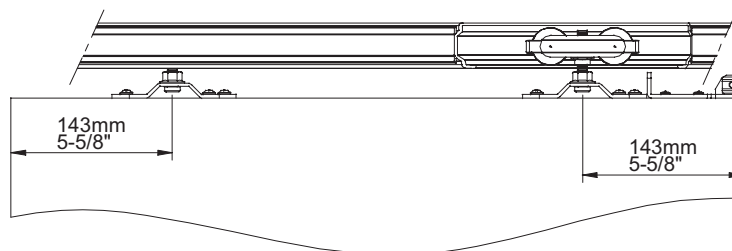
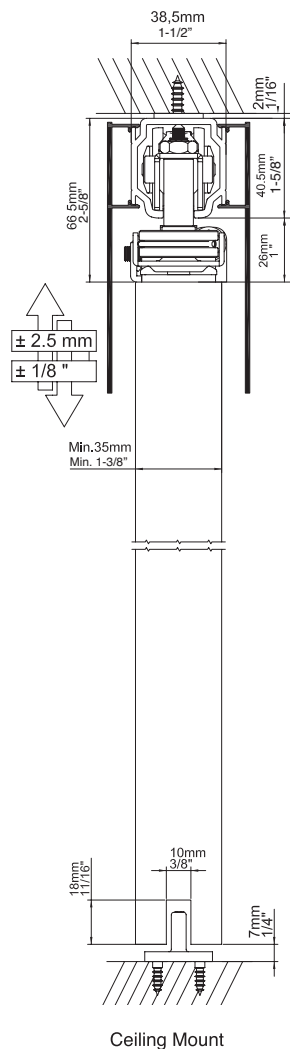
Track Type	Length	Item No.	Description
Standard Aluminum Track	118-1/8" (3000 mm)	SDR-A125-3000	 
1A Optional Parts for Track			
 SDR-A125-10433 Anodized Aluminum Fascia (3000 mm)	 SDR-A81-6061 Aluminum Separator		

* If installing fascia for ceiling mount, one per each fixing point

2. Hardware Set

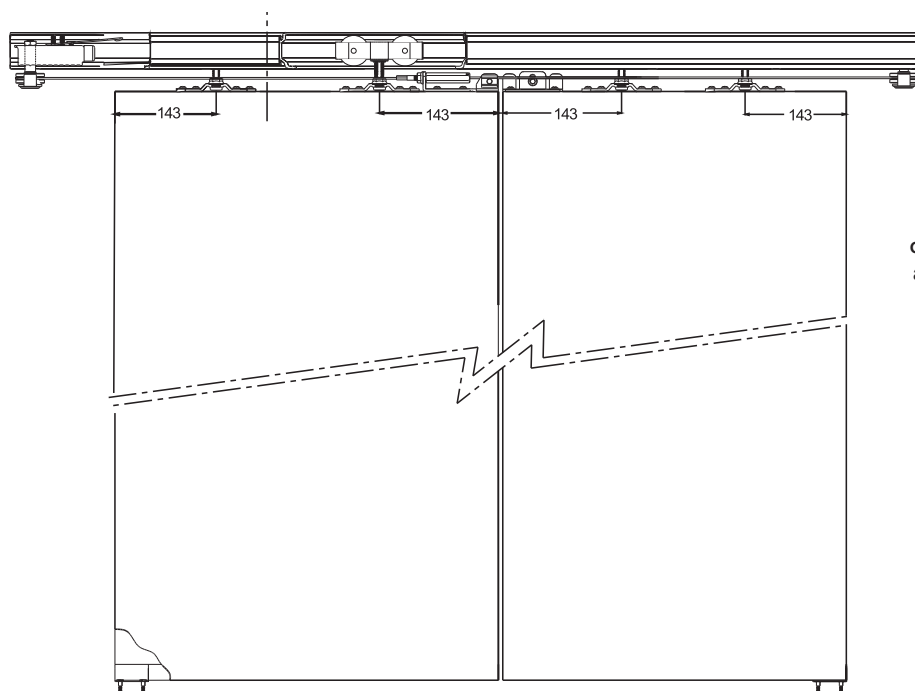
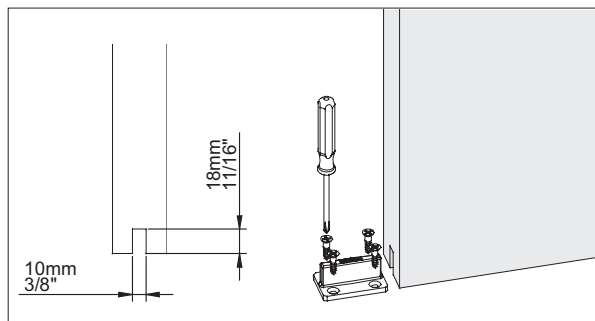
Load Rating (Per Door)	Item No.	Set Details
Surface Bracket with Synchronized Bracket Set	SDR-A125SYN-KIT	 (2) SDR-A125TS-PRT + (1) SDR-A125SYN-PRT

TRACK MOUNTING OPTIONS



The Bi-parting synchronized door system allows for wider door openings in a variety of spaces. The top hung doors leave the floor free of tracks and make this system desirable for entrances to conference rooms, kitchen or bathrooms.

■ Floor Guide Installation



This synchronous system allows 2 sliding doors to open simultaneously. Can be applied to opening of 7' and 10-1/2"

FLUSH SLIDING DOOR SYSTEM (Door Weight 154 lbs)

MFU1200

SLIDING & FOLDING
DOOR HARDWARE

SELF CLOSING SLIDING DOOR SYSTEM (66 ~ 176 LBS)

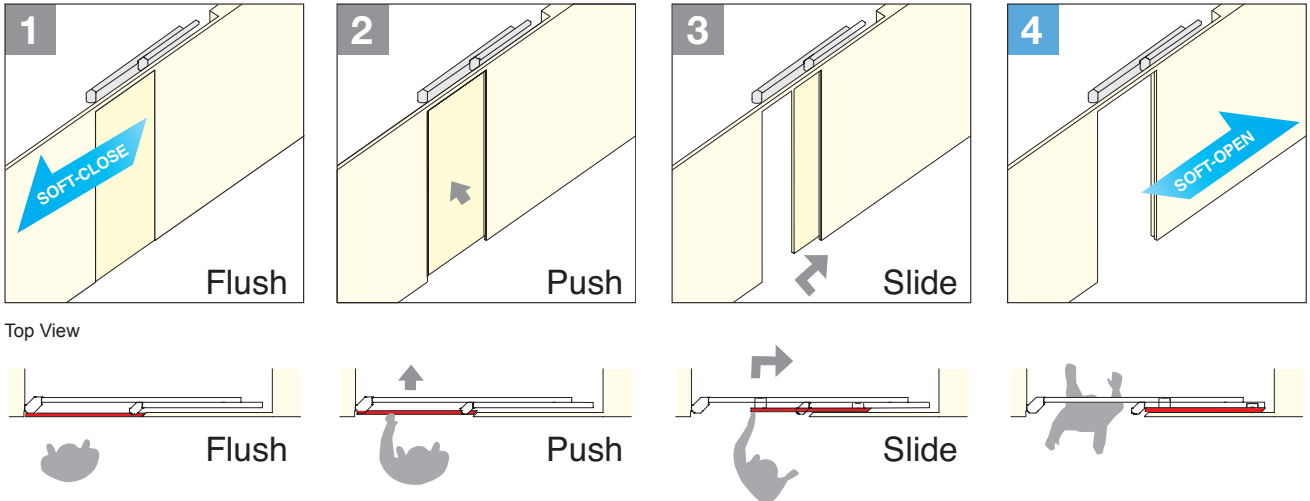


	MFU1200-40	MFU1200-70
Door Width	31-1/2"~47-1/4" (800~1200 mm)	
Door Height	Max. 106-5/16" (2700 mm)	
Door Thickness	1-3/16"~1-9/16" (30-40 mm)	
Door Weight	44~88 lbs (20-40 kg)	88~154 lbs (40-70 kg)
Adjustability	Depth: ±3.5 mm (1/8")	
	Horizontal: ±4 mm (3/16")	
	Vertical: ±4 mm (3/16")	

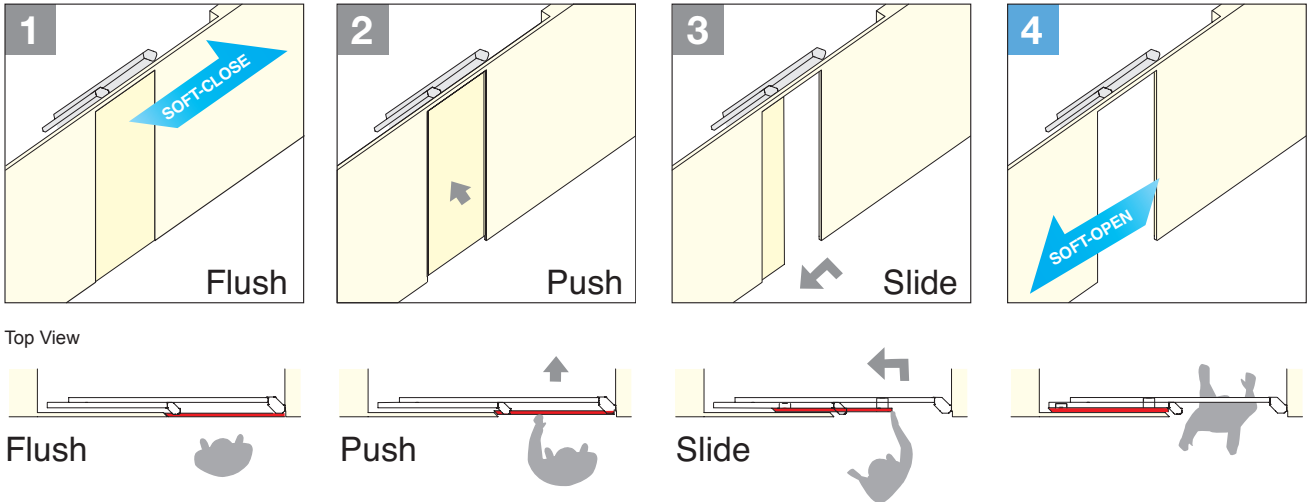
- Designed to CLOSE FLUSH against surrounding walls, providing clean appearance.
- UNIQUE MOVEMENT: Recesses in, and then slides sideways.
- CLEAN APPEARANCE: No floor tracks required on MFU-System.
- Excellent performance, reliable and fully adjustable.
- Features two way damper to avoid slamming open or closed.
- DURABILITY: High durability, passed 100,000 open/close cycle test (private).

Item No.	Description	Door Weight
MFU1200-40-L (Light duty Left)	Left to Right Opening	44 - 88 lbs (20-40 kg)
MFU1200-40-R (Light duty Right)	Right to Left Opening	
MFU1200-70-L (Heavy duty Left)	Left to Right Opening	88-154 lbs (40-70 kg)
MFU1200-70-R (Heavy duty Right)	Right to Left Opening	

Left to Right Opening Model



Right to Left Opening Model

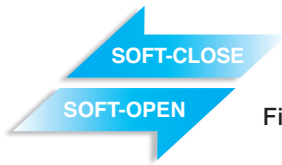


FLUSH SLIDING DOOR SYSTEM (Door Weight 154 lbs)

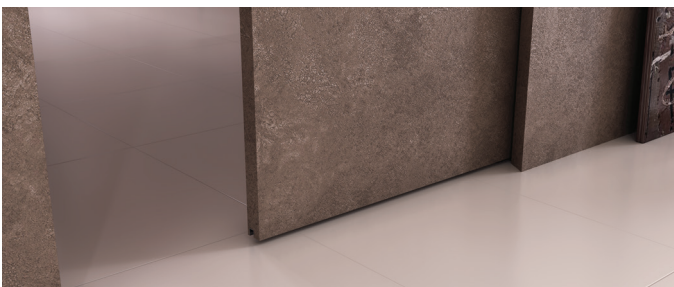
MFU1200

SLIDING & FOLDING
DOOR HARDWARE

FLUSH SLIDING DOOR SYSTEM (Max. 66 LBS)

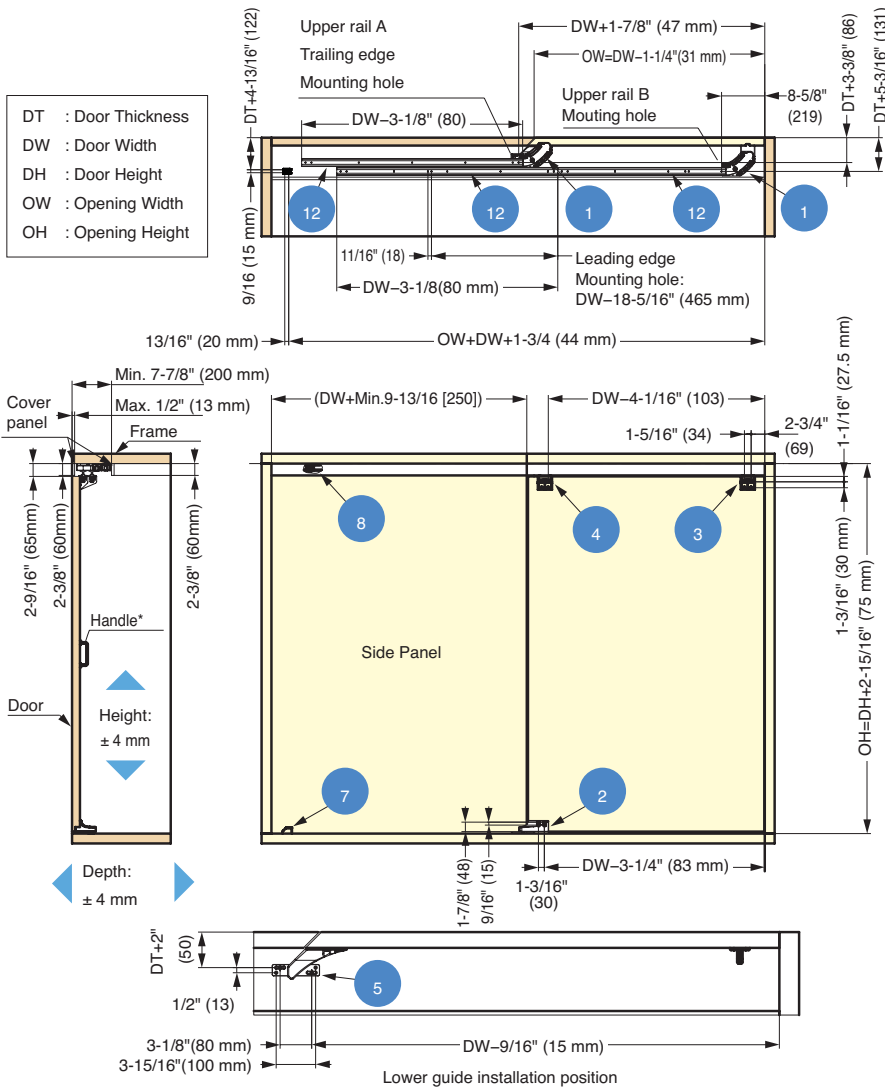


Pulls door slowly last 4"
Finishes full open slowly

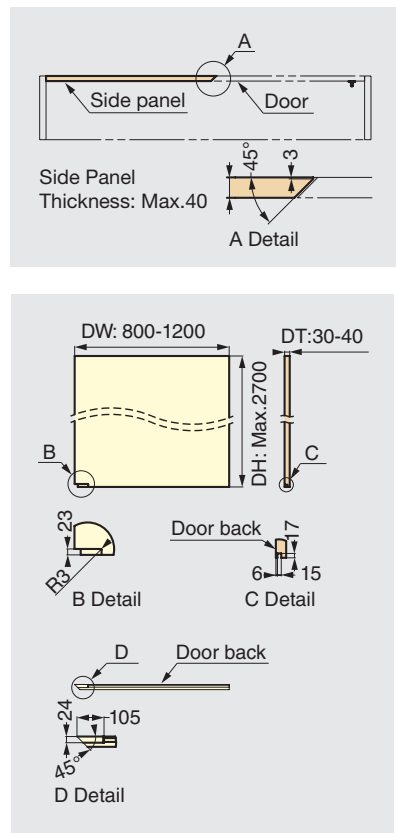




Installation



Chamfering



Scan to Watch the Door in Action!

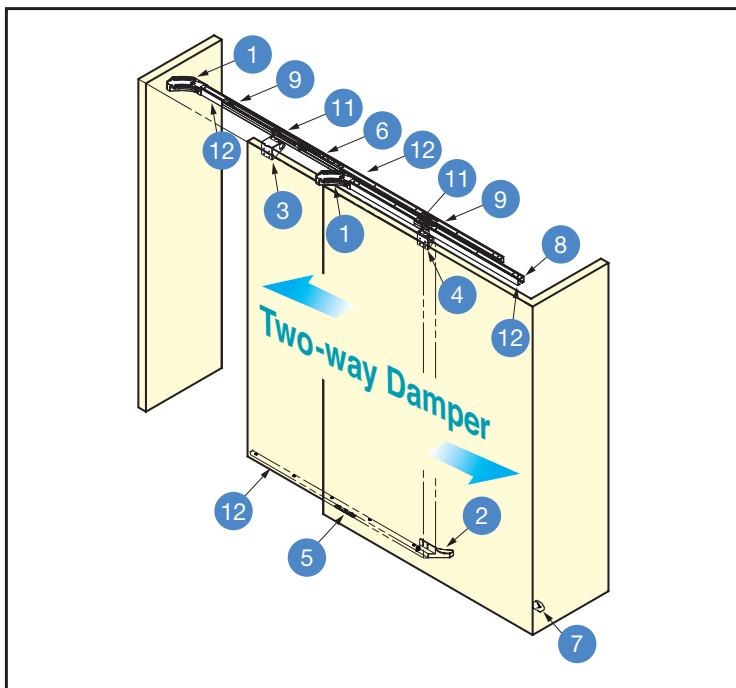


Part Details

Self-Close Rollers		included Item No. determined by door weight			
No.	Type	Item No.	Part Name	Drawing	Description
11	Door Weight 44-88 lbs (20-40 kg)	MFU1200-40DSC-BL	Soft closer (leading edge)		<ul style="list-style-type: none"> Material: steel/POM Finish: electro-deposition / black
	Door Weight 88-154 lbs (40-70 kg)	MFU1200-70DSC-BL	Door roller (trailing edge)		<ul style="list-style-type: none"> Material: steel Finish: electro-deposition / black

Tracks		included			
No.	Item No.	Part Name	Drawing	Description	
12	MFU1200-RS-BL	Upper track A*		<ul style="list-style-type: none"> Material: aluminium alloy Finish: black anodising + coating / clear 	
		Upper track B			
		Bottom guide channel			<ul style="list-style-type: none"> Material: aluminium alloy Finish: silver anodising + coating / clear
		1120mm 2 pcs	850mm 1 pc		1100mm 1 pc

* Cut upper track A and bottom track according to the door size.



Item Name	Description
MFU1200-L-BL	Left to Right Opening
MFU1200-R-BL	Right to Left Opening











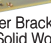

Detail






No.	Qty	Part Name	Drawing (L type) in mm	Description
1	2	Guiding track (top)		<ul style="list-style-type: none"> Material: aluminium alloy Finish: enamel / black
2	1	Guiding track (bottom)		<ul style="list-style-type: none"> Material: aluminium alloy Finish: enamel / black
3	1	Bracket (leading edge)		<ul style="list-style-type: none"> Material: steel Finish: enamel / black
4	1	Bracket (trailing edge)		<ul style="list-style-type: none"> Material: steel Finish: enamel / black
5	1	Bottom guide		<ul style="list-style-type: none"> Material: steel / POM Finish/Color: electro-deposition / black
6	1	Connecting plate		<ul style="list-style-type: none"> Material: steel Finish: electro-deposition / black
7	1	Door stopper (floor)		<ul style="list-style-type: none"> Material: zinc alloy / elastomer Finish/Color: chromate treatment (trivalent)/grey
8	1	Bumper block		<ul style="list-style-type: none"> Material: steel/elastomer Finish/Color: chromate/grey
9	2	Trigger		<ul style="list-style-type: none"> Material: steel Finish: chromate treatment (trivalent)
10	1	Jig	Can be ordered separately	Item Name: FD80-TRJ <ul style="list-style-type: none"> Material: POM Color: green




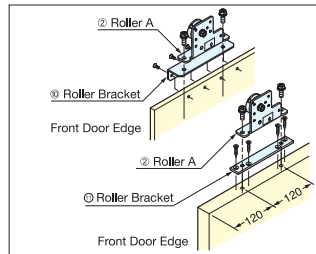
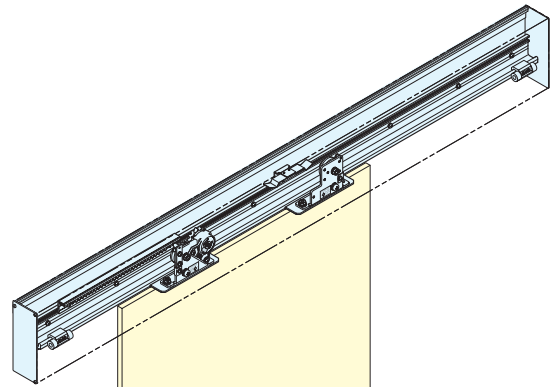
Item No.	LM-80
Door Width	27-9/16"~47-1/4" (700~1200 mm)
Door Thickness	1/2" or 1-1/8"~1-9/16" (13 or 28~40 mm)
Door Weight	66~ 176 lbs/door (30~80 kg/Door)
Door Travel	Max. 43-5/16" (in case of door width 47-1/4") Max. 1100 mm (in case of door width 1200 mm)

- Self closing sliding door system
- Equipped with damper for smooth and soft close
- Dampening speed adjustable for best soft closing
- Wall surface mount type for easy installation
- No bottom rail needed for clean appearance
- Door opens lightly for easy operation
- Door catch included to hold door in fully open position
- Designed for 13mm solid phenolic panel or 28~40mm thick wood doors
- Non-handed

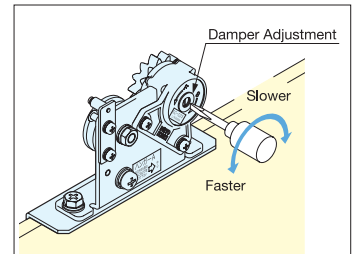
Kit Details	
Qty	Part Name
1 pc	 Damper
1 pc	 Roller A
1 pc	 Roller B
1 pc	 Gear Rack
1 pc	 Spring
1 pc	 Stopper Roller
2 pcs	 Door Stopper
2 pcs	 Stopper Plate
t1:15 pcs, t0.5:1pc	 Height Adjustment Spacer
2 pcs	 Roller Bracket (For Solid Phenolic)
2 pcs	 Roller Bracket (For Solid Wood)
2 pcs	 Bottom Roller Guide

Qty	Part Name
4 pcs	 Anchor
1 pc	 Roller Rail (2200mm)
1 pc	 Fascia (2350mm)
2 pcs	 Side Cover
1 pc	 Mounting Plate (2350mm)

Optional Parts	
Qty	Part Name
1 pc	 ET-125 Latch w/indicator



Roller Brackets for solid phenolic panel and wood door included.

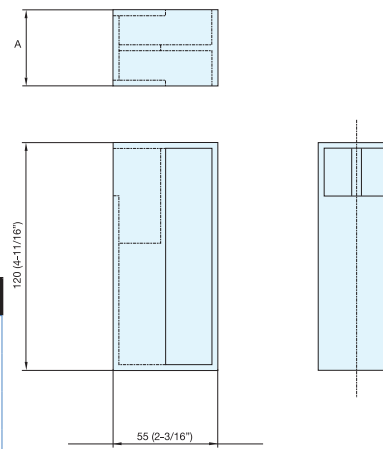


Closing speed adjustable by turning adjustment screw on damper.



POCKET DOOR HANDLE

DSI-4251

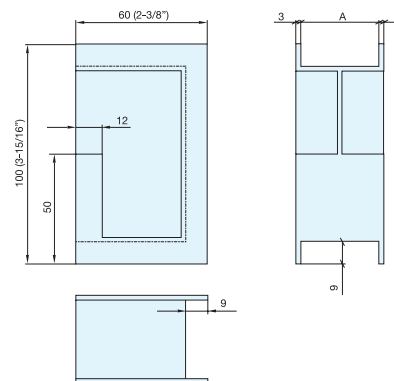


Item No.	A	Weight (g)	Box (pcs)	Carton (pcs)
DSI-4251-35	35.0 (1-3/8")	490 (1.08 lbs)	1	10
DSI-4251-38	38.0 (1-1/2")	515 (1.14 lbs)		
DSI-4251-40	40.0 (9/16")	530 (1.17 lbs)		
DSI-4251-43	43.0 (1-11/16")	550 (1.21 lbs)		
DSI-4251-45	44.5 (1-3/4")	570 (1.26 lbs)		
DSI-4251-50	50.0 (1-31/32")	590 (1.30 lbs)		

Material	Finish
304 Stainless Steel	Satin, Black

POCKET DOOR HANDLE

DSI-4253

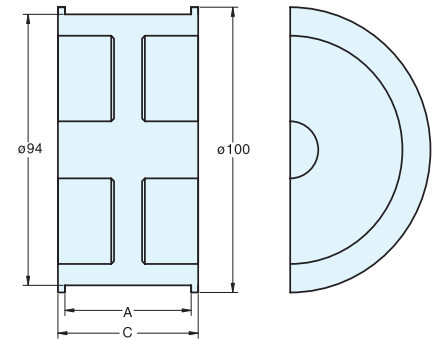
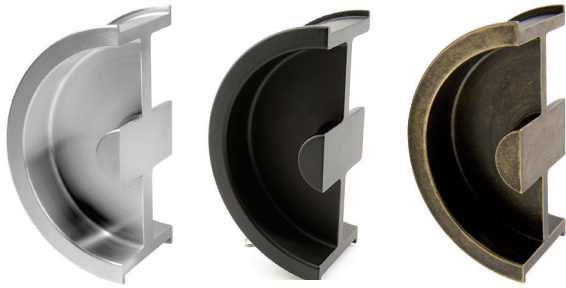


Item No.	A	Weight (g)	Box (pcs)	Carton (pcs)
DSI-4253-35	35.0 (1-3/8")	495 (1.09 lbs)	1	10
DSI-4253-38	38.0 (1-1/2")	505 (1.11 lbs)		
DSI-4253-40	40.0 (9/16")	515 (1.14 lbs)		
DSI-4253-43	43.0 (1-11/16")	530 (1.17 lbs)		
DSI-4253-45	44.5 (1-3/4")	545 (1.20 lbs)		

Material	Finish
304 Stainless Steel	Satin, Black

SLIDING DOOR HANDLE

DSI-3250

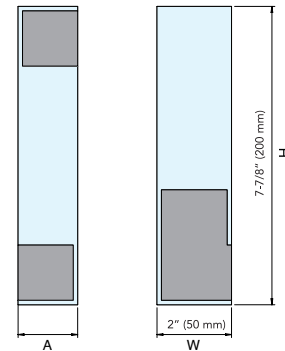


Item No.	C	A	Box (pcs)	Carton (pcs)
DSI-3250-12-1	17 (11/16")	12.7 (1/2")	1	10
DSI-3250-35	39 (1-17/32")	35.0 (1-3/8")		
DSI-3250-45	49 (1-15/16")	45.0 (1-49/64")		
DSI-3250-50	54 (2-1/8")	50.0 (1-31/32")		

Material	Finish
304 Stainless Steel	Satin, Black
Brass	Antique Brass (AB)

SLIDING DOOR HANDLE

DSI-4257

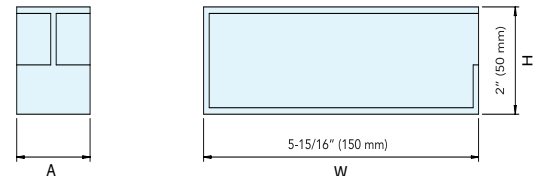
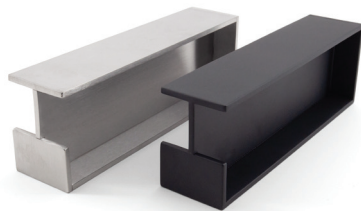


Item No.	W	H	A	Weight (g)	Box (pcs)	Carton (pcs)
DSI-4257-35	2" (50)	7-7/8" (200)	1-3/8" (35)	528	1	8
DSI-4257-45			1-3/4" (45)	625		

Material	Finish
304 Stainless Steel	Satin, Black

SLIDING DOOR HANDLE

DSI-4258

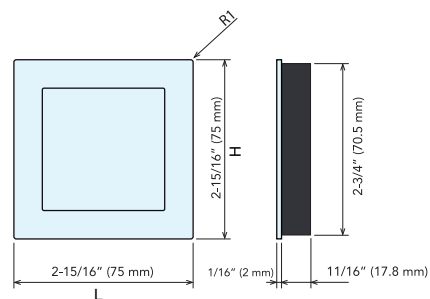
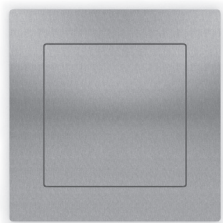


Item No.	W	H	A	Weight (g)	Box (pcs)	Carton (pcs)
DSI-4258-35	5-5/16" (150)	2" (50)	1-3/8" (35)	496	1	18
DSI-4258-45			1-3/4" (45)	542		

Material	Finish
304 Stainless Steel	Satin, Black

RECESSED PULL

DSI-4501

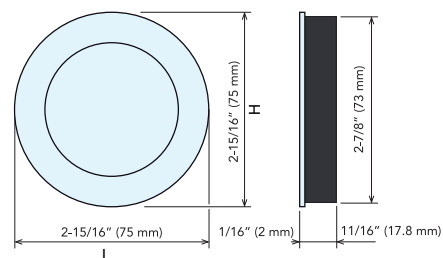
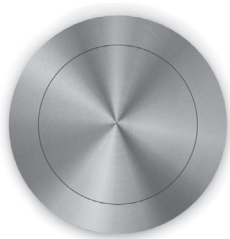


Item No.	L	H	D	Weight (g)	Box (pcs)	Carton (pcs)
DSI-4501	2-15/16" (75)	2-15/16" (75)	11/16" (17.8)	141	10	40

Part Name	Material	Finish
Faceplate, Ring	304 Stainless Steel	Satin
Cup	Plastic	Black
Spring	Steel	-

RECESSED PULL

DSI-4502

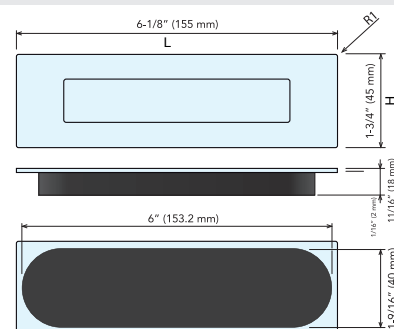
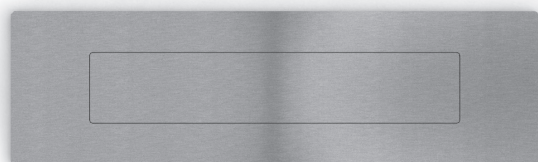


Item No.	L	H	D	Weight (g)	Box (pcs)	Carton (pcs)
DSI-4502-75	2-15/16" (75)	2-15/16" (75)	11/16" (17.8)	122	10	40

Material	Finish	Finish
Faceplate, Ring	304 Stainless Steel	Satin
Cup	Plastic	Black
Spring	Steel	-

RECESSED PULL

DSI-4503

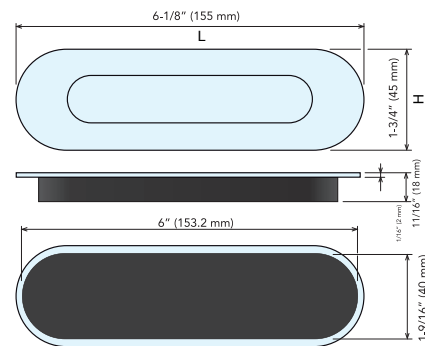
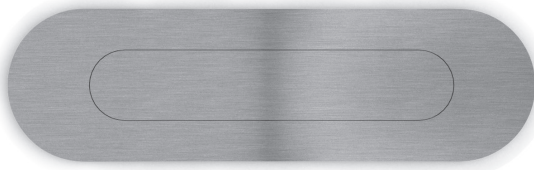


Item No.	L	H	D	Weight (g)	Box (pcs)	Carton (pcs)
DSI-4503-155	6-1/8" (155)	1-3/4" (45)	11/16" (18)	173	10	40

Part Name	Material	Finish
Faceplate, Ring	304 Stainless Steel	Satin
Cup	Plastic	Black
Spring	Steel	-

SLIDING DOOR HANDLE

DSI-4504

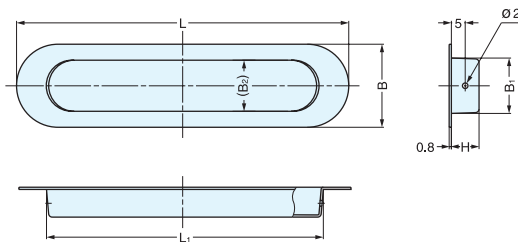


Item No.	L	H	D	Weight (g)	Box (pcs)	Carton (pcs)
DSI-4503-155	6-1/8" (155)	1-3/4" (45)	11/16" (18)	173	10	40

Part Name	Material	Finish
Faceplate, Ring	304 Stainless Steel	Satin
Cup	Plastic	Black
Spring	Steel	-

SLIDING DOOR HANDLE

HN

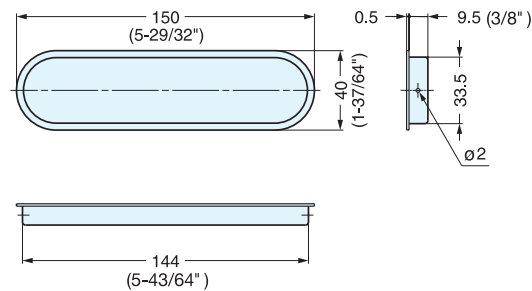


Material	Finish
304 Stainless Steel	Satin

Item No.	L	L ₁	H	B	B ₁	B ₂	L ₂	B ₃	H ₁	Weight (g)	Box (pcs)	Carton (pcs)
HN-120SH	120 (4-23/32")	100	10.0 (25/64")	30 (1-3/16")	20 (25/32")	18.5	100.5 (3-61/64")	20.5 (13/16")	10.5	19	50	500
HN-150SH	150 (5-29/32")	130	12.0 (15/32")	35 (1-3/8")	26 (1-1/32")	24.5	130.5 (5-9/64")	26.5 (1-3/64")	12.5	27	20	200
HN-200SH	200 (7-7/8")	170	13.2 (33/64")	50 (1-31/32")	36 (1-27/64")	34.5	170.5 (6-23/32")	36.5 (1-7/16")	13.7	50	10	100
HN-250SH	250 (9-27/32")	220					220.5 (8-11/16")			92		

SLIDING DOOR HANDLE

OP-150

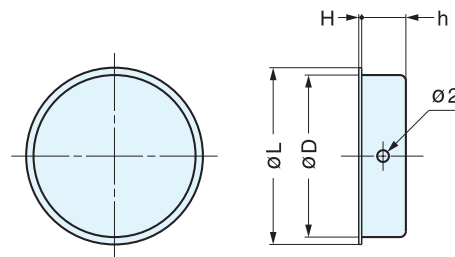


Item No.	Weight (g)	Box (pcs)	Carton (pcs)
OP-150	30	30	720

Material	Finish
304 Stainless Steel	Satin

SLIDING DOOR HANDLE

RP

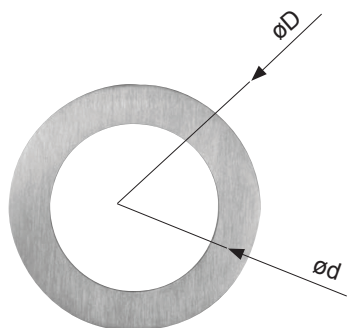


Item No.	L	H	h	D	Weight (g)	Box (set)	Carton (set)
RP-30	30 (1-3/16")	0.5	7.5 (19/64")	27.5	4.0	100	3600
RP-37	36 (1-27/64")		8.5 (21/64")	31.5	6.0		
RP-45	46 (1-13/16")		41.0	9.5			
RP-60	60 (2-23/64")		9.5 (3/8")	53.5	15.0	50	1200
RP-80	80 (3-5/32")			71.0	25.5	25	500

Material	Finish
304 Stainless Steel	Satin

SLIDING DOOR HANDLE

DSI-3010

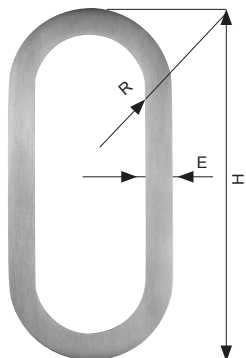


Item No.	D	d	Thickness (mm)	Weight (g)	Box (set)	Carton (set)
DSI-3010-40	40 (1-9/16")	24 (15/16")	6 (1/4")	80	1	10
DSI-3010-70	70 (2-3/4")	46 (1-13/16")		140		
DSI-3010-100	100 (3-15/16")	68 (2-11/16")		200		

Material	Finish
304 Stainless Steel	Satin

SLIDING DOOR HANDLE

DSI-3020

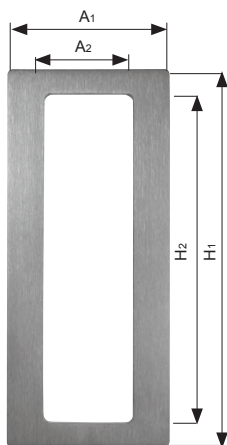


Item No.	H	E	R	Thickness (mm)	Weight (g)	Box (set)	Carton (set)
DSI-3020-85	85 (3-3/8")	8	12	6 (1/4")	70	1	10
DSI-3020-150	150 (5-7/8")	12	23		125		
DSI-3020-300	300 (11-13/16")	16	24		250		

Material	Finish
304 Stainless Steel	Satin

SLIDING DOOR HANDLE

DSI-4020

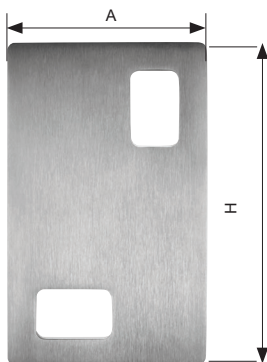


Material	Finish
304 Stainless Steel	Satin

Item No.	H ₁	H ₂	A ₁	A ₂	Thickness (mm)	Weight (g)	Box (set)	Carton (set)
DSI-4020-85	85 (3-3/8")	65 (2-9/16")	50 (2")	20 (13/16")	6 (1/4")	135	1	10
DSI-4020-150	150 (5-7/8")	130 (5-1/8")	65 (2-9/16")	35 (1-3/8")		240		
DSI-4020-300	300 (11-13/16")	280 (11")	80 (3-3/16")	50 (2")		480		

SLIDING DOOR HANDLE

DSI-4040

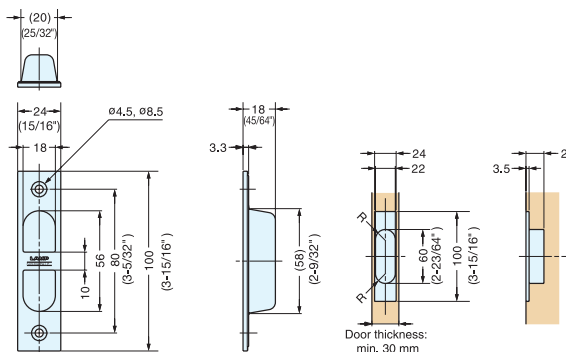


Item No.	H	A	Thickness	Weight (g)	Box (pcs)	Carton (pcs)
DSI-4040-85	85 (3-3/8")	85 (3-3/8")	6 (1/4")	70	1	10
DSI-4040-150	150 (5-7/8")	150 (5-7/8")		125		
DSI-4040-300	300 (11-13/16")	300 (11-13/16")		250		

Material	Finish
304 Stainless Steel	Satin

SLIDING DOOR HANDLE

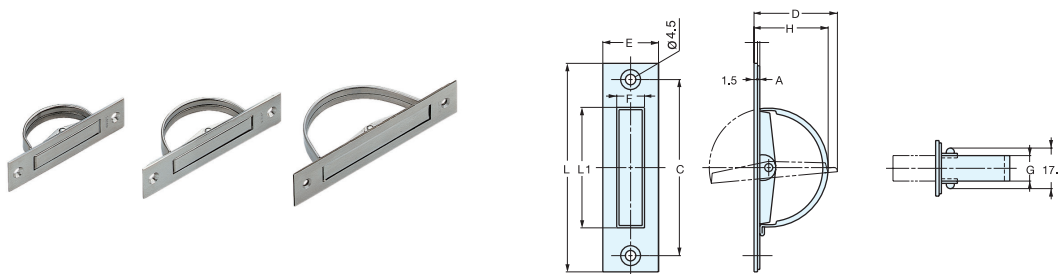
YK-W100



Item No.	Weight (g)	Box (pcs)	Carton (pcs)	Material	Finish
YK-W100	45	20	160	304 Stainless Steel	Satin

HATCH PULL

HR

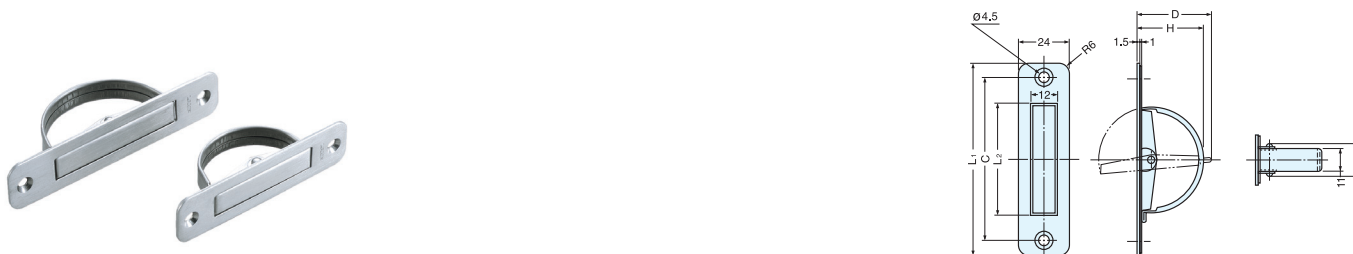


Item No.	L	L ₁	C	H	D	A	E	F	G	Weight (g)	Box (pcs)	Carton (pcs)
HR-90	90 (3-35/64")	52 (2-3/64")	76	32	36	1.0	24 (15/16")	12.0	11	49	30	300
HR-110	110 (4-21/64")	64 (2-33/64")	94	38	42					59	20	200
HR-135	135 (5-5/16")	90 (3-35/64")	115	50	55	1.2	25 (63/64")	12.2	12	88	15	150

Material	Finish
304 Stainless Steel	Satin

HATCH PULL

HR-R



Item No.	L ₁	L ₂	C	H	D	Weight (g)	Box (pcs)	Carton (pcs)
HR-90R	90 (3-35/64")	52 (2-3/64")	76	32	36	46	30	300
HR-110R	110 (4-21/64")	64 (2-33/64")	94	38	42	55	20	200

Material	Finish
304 Stainless Steel	Satin

HATCH PULL

ST-80



Item No.	L	L ₁	L ₂	H	H ₁	H ₂	B	B ₁	t	C	Weight (g)	Box (pcs)	Carton (pcs)
ST-80	80 (3-9/64")	50	44	18	25	2	18 (45/64")	15	5	68 (2-43/64")	48	30	300

Material	Finish
304 Stainless Steel	Satin

HATCH PULL

ST-90

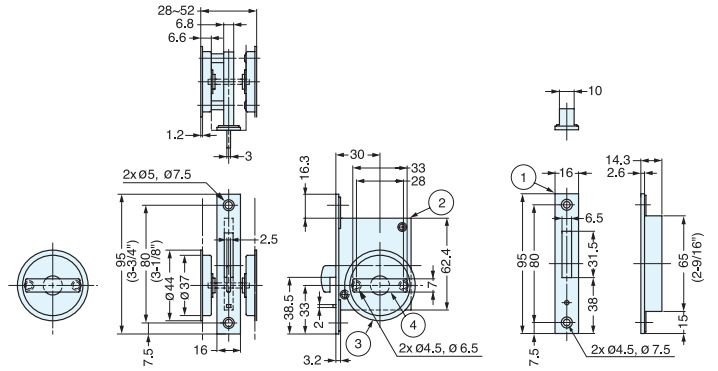


Item No.	L	L ₁	L ₂	H	H ₁	H ₂	B	B ₁	t	C	Weight (g)	Box (pcs)	Carton (pcs)
ST-80	80 (3-9/64")	50	44	18	25	2	18 (45/64")	15	5	68 (2-43/64")	68	30	300

Material	Finish
304 Stainless Steel	Satin

SLIDING DOOR LATCH

HC-30R

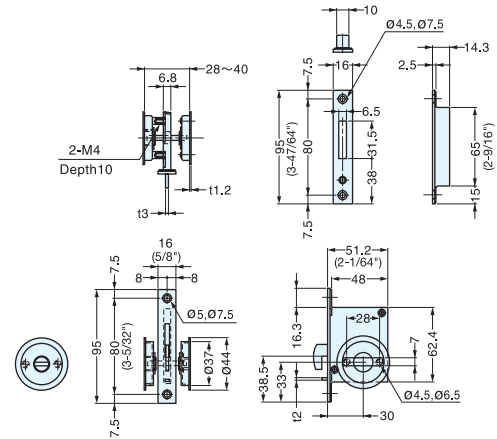


Item No.	Weight (g)	Box (pcs)	Carton (pcs)
HC-30R	283	5	50

No.	Part Name	Material	Finish
①	Front Plate	304 Stainless Steel	Satin
②	Body	Steel	-
③	Thumbturn	304 Stainless Steel	Satin
④	Knob	Zinc Alloy	Chrome

SLIDING DOOR LATCH

HC-30

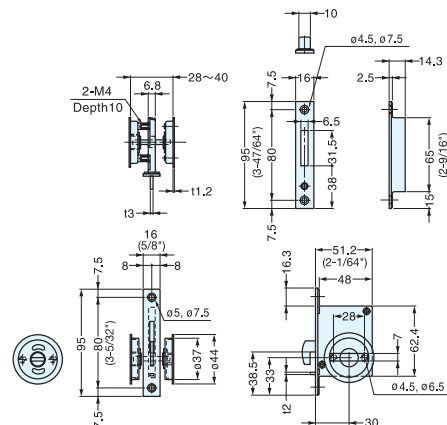


Item No.	Weight (g)	Box (pcs)	Carton (pcs)
HC-30	258	5	50

Material	Finish
304 Stainless Steel, Brass, Zinc Alloy	Satin

SLIDING DOOR LATCH (w/INDICATOR)

HC-30H

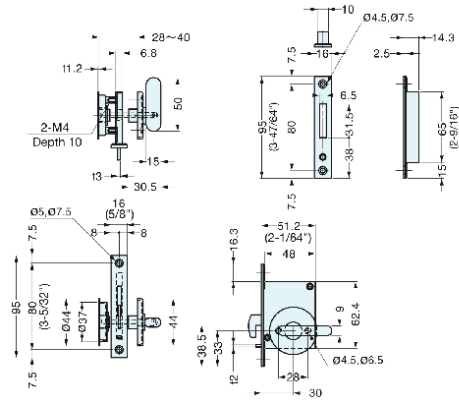
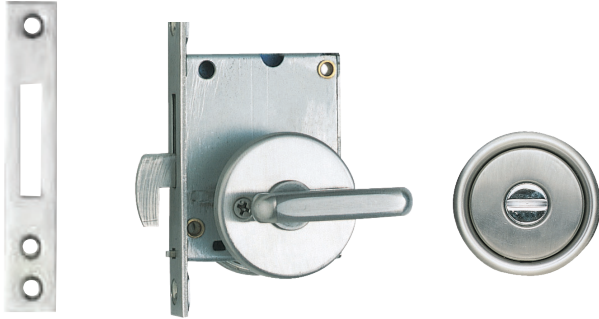


Item No.	Weight (g)	Box (pcs)	Carton (pcs)
HC-30H	259	5	50

Material	Finish
304 Stainless Steel, Brass, Zinc Alloy	Satin

SLIDING DOOR LATCH

HC-30L

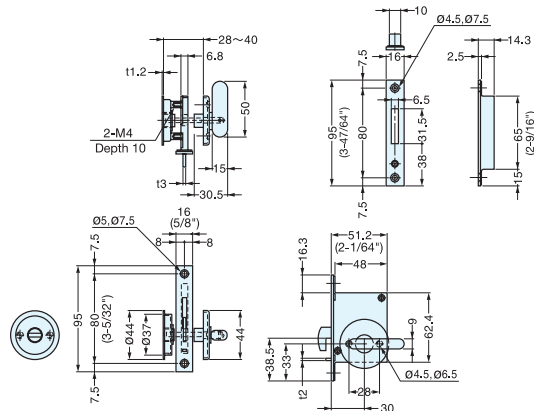
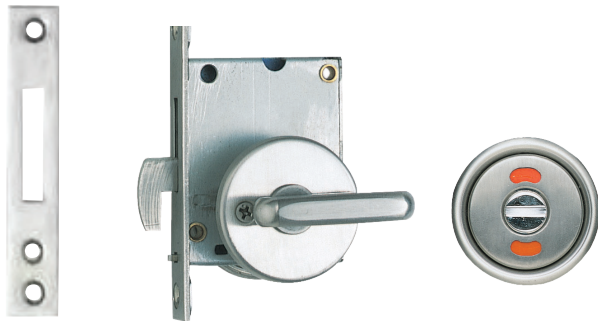


Item No.	Weight (g)	Box (pcs)	Carton (pcs)
HC-30L	309	5	50

Material	Finish
304 Stainless Steel, Brass, Zinc Alloy	Satin

SLIDING DOOR LATCH (w/INDICATOR)

HC-30HL

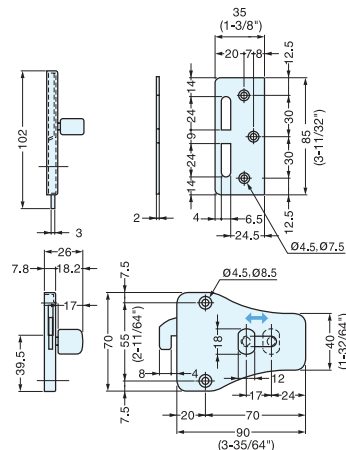
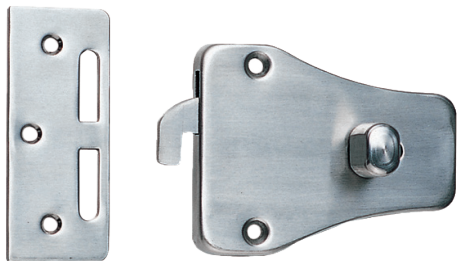


Item No.	Weight (g)	Box (pcs)	Carton (pcs)
HC-30HL	309	5	50

Material	Finish
304 Stainless Steel, Brass, Zinc Alloy	Satin

SLIDING DOOR LATCH

HC-70



Item No.	Weight (g)	Box (pcs)	Carton (pcs)
HC-70	197	5	50

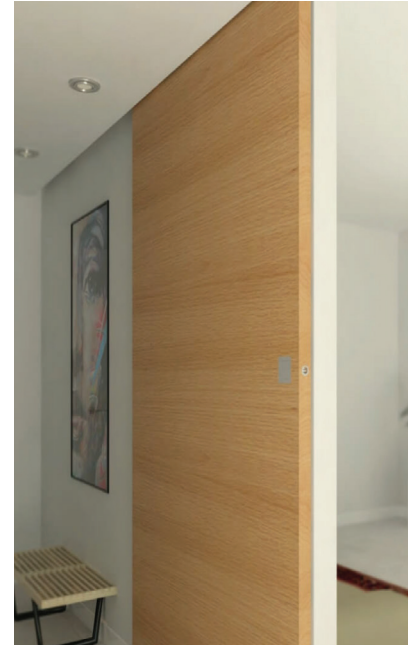
Material	Finish
304 Stainless Steel, Brass	Satin



DSI-4504



DSI-4503



DSI-4501

Sugatsune America, Inc.
www.sugatsune.com

U.S. Headquarters

18101 Savarona Way

Carson, CA 90746

Phone: 310-329-6373

Fax: 310-329-0819

E-mail: sales@sugatsune.com

Illinois Warehouse

1790 Cortland Ct.

Addison, IL 60101

Phone: 630-519-4104

Email: Addisonwarehouse@sugatsune.com

Canada Office

3775 Boulevard du Tricentenaire, Montréal,

QC H1B 5W3, Canada

Phone: 514-312-5267

E-mail: support@sugatsune.ca