

# BRACKETS



STANDARD BRACKETS  
FOLDING BRACKETS  
SHELF STANDARDS

FOLDING BRACKETS

Picture	Item No.	Load Capacity (lbs)	Page
	EB SERIES 	330 - 440	269
	388	77 - 176	269
	BTO	89.9	270
	BOS (W/ STOPPER)	72 - 88	270
	GTS-300 (SPRING LOADED)	6.6, 13 (PAIR)	271

BRACKETS

Picture	Item No.	Load Capacity (lbs)	Page
	BY	110	271
	BT, BTK, BTW 	33 - 181	272
	BTK-UB	26 - 55	273
	SU 	9 - 13	274
	SU-A 	22 - 52	274
	SU-B	22 - 28	274
	XL-SA01	26 - 50	275
	SV 	18 - 31	275
	SSA	330	276

SHELF STANDARDS & ACCESSORIES

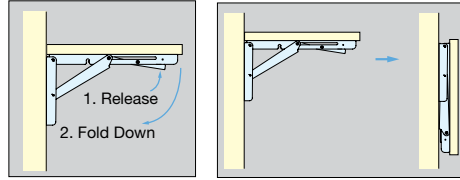
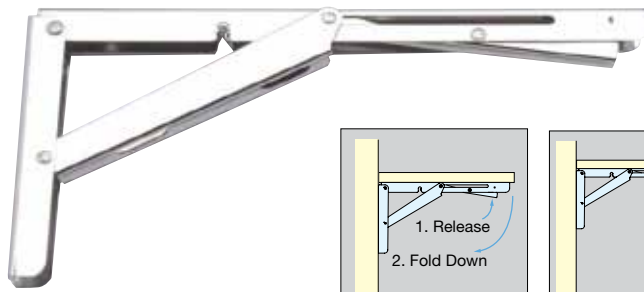
Picture	Item No.	Load Capacity (lbs)	Page
	SPH-1820 	-	277
	SPH-20 	286	277
	SPH-5 	286	278
	SPH-15 	286	278
	SP-18E	-	278
	SP-1820 	-	279
	SPB-15R 	220	280

Picture	Item No.	Load Capacity (lbs)	Page
	SPB-20 	99	280
	SPB-200	44	280
	SPF-20	176	281
	SPF-20A	-	281
	SPF-20LC	-	281
	SPB-35	11	281
	SPHL-1820 	-	282
	SPHL-25 	330	282
	SPHL-30 	330	282
	SM-1820 	-	283
	SMB-15R 	198	283
	SPM-20B	132	283
	AP-DM, AP-DH	-	284
	AP-FB20	99	285
	AP-FC20	-	285
	AP-EC20	-	285
	AP-FB120	5 lbf/2 pcs	286
	AP-FA20	-	287
	AP-FK20D	66.1 lbf	287
	AP-FK20	22 lbf	288
	AP-FK20C	-	288
	SPN-1820	-	289
	SPN-15	176	289
	SPN-17	-	289

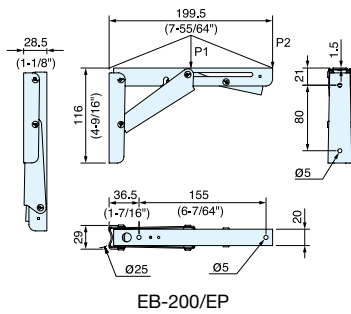
# FOLDING BRACKET



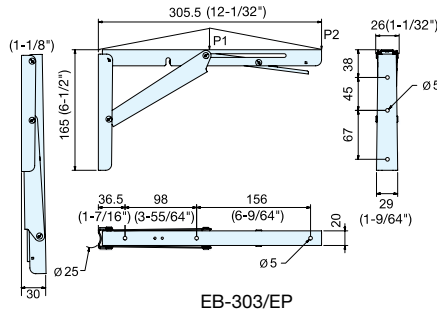
EB



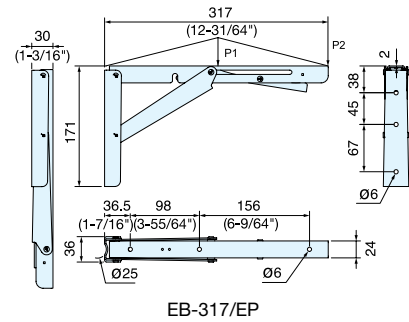
- Automatically locks when flap is in opened position.
- Press lever to release the lock.
- Bracket can be used without the need for hinges.
- Available in 3 different sizes.
- Only EB-303 is NSF.



EB-200/EP



EB-303/EP



EB-317/EP

Item No.	Load Capacity P1 (kg)	Load Capacity P2 (kg)	Weight (g)	Carton (pcs)	Part Name	Material
EB-200/EP	175 (385 lbs)	90 (198 lbs)	330	50	Main Body	304 Stainless Steel
EB-303/EP	150 (330 lbs)	75 (165 lbs)	515	25	Plate Spring	301 Stainless Steel
EB-317/EP	200 (440 lbs)	100 (220 lbs)	750	50	Rivet	302 Stainless Steel

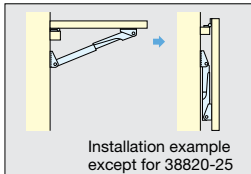
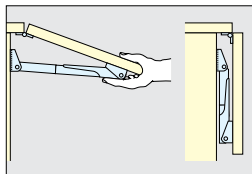
# FOLDING BRACKET



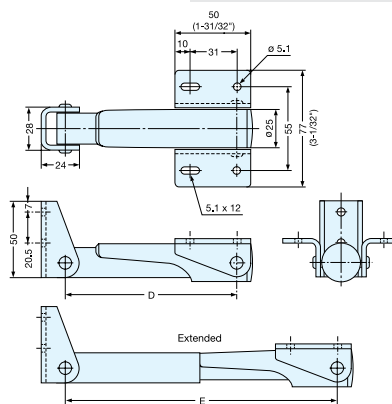
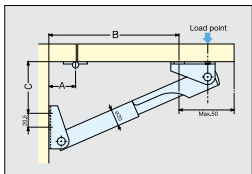
388



- Automatically locks when flap is in opened position.
- Press lever to release the lock.
- For panel thickness 15~35 mm (19/32"~1-3/8")
- Required Quantity:
  - Width up to 600 mm (23-5/8")...1 pc
  - Width 600~1300 mm (23-5/8"~51-3/16")...2 pcs



Installation example except for 38820-25



Material	Finish/Color
Aluminum	Anodized
	Black (BLK)

Item No.	A	B	C	D	E	Load Capacity (kg)	Weight (g)	Box (pcs)	Carton (pcs)
38820-25	25 ~ 30	161	15	114.0	180.0	35 ( 77 lbs )	149	5	50
38820-25/BLK									
38830-25	25 ~ 39	252	45	168.0	275.9	55 ( 121 lbs )	187		
38830-25/BLK									
38845-25	25 ~ 50	402	87	258.5	430.8	60 ( 132 lbs )	266	5	30
38845-25/BLK								5	50
38860-25	25 ~ 40	549	137	368.5	585.8	80 ( 176 lbs )	342	5	30
38860-25/BLK								5	50

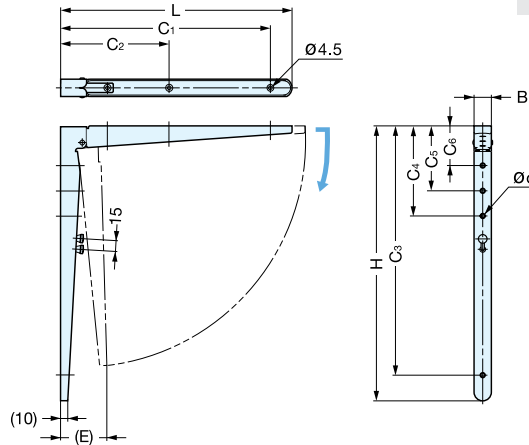
# FOLDING BRACKET



**BTO**



BTO-300W



- Folding bracket with manual lock lever.
- Slide the lock lever to lock/unlock in open position.
- Bracket with hinge function in one unit.
- Supplied with white painted screws.

Item No.	L	H	B	(E)	C1	C2	C3	C4	C5	C6	d	t
BTO-300S	241 (9-31/64")	300 (11-13/16")	23 (29/32")	(57)	211	61	270	80	50	-	5	-
BTO-300W												

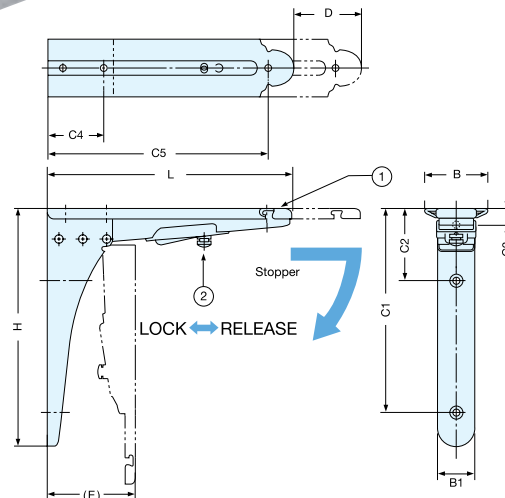
Item No.	Load Capacity (kg)	Weight (g)	Box (pcs)	Carton (pcs)	NO.	Part Name	Material	Finish/Color
BTO-300S	40.8 (89.9 lbs)	510	10	40	①	Body	304 Stainless Steel (S)/Steel (W)	Polished (S)/White (W)
BTO-300W					②	Knob	Brass	Plain
						Cap	Elastomer	Black

FOLDING BRACKETS

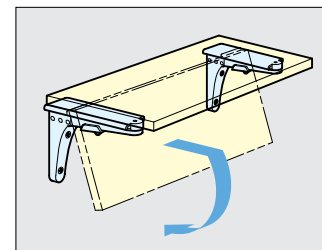
# FOLDING BRACKET (W/STOPPER)



**BOS**



- Folding bracket with locking bracket.
- Slide the locking bracket to lock / unlock in open position.



NO.	Part Name	Material	Finish/Color
①	Body	304 Stainless Steel	Satin
②	Knob	Brass	Nickel
	Cap	Elastomer	Black

Item No.	L	H	B	B1	D	(E)	C1	C2	C3	C4	C5	Load Capacity (kg)/pcs	Weight (g)	Box (pcs)	Carton (pcs)
BOS-180	181 (7-1/8")	181 (7-1/8")	45.5 (1-51/64")	26	50	(65)	155	56	11.5	42	162	40 (88 lbs)	476	1	20
BOS-240	240 (9-7/16")	250 (9-27/32")	49.0 (1-15/16")		58	(81)	220	70	15.0	80	215	33 (72 lbs)	770		

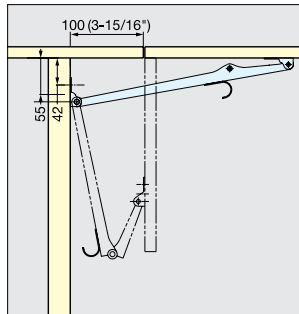
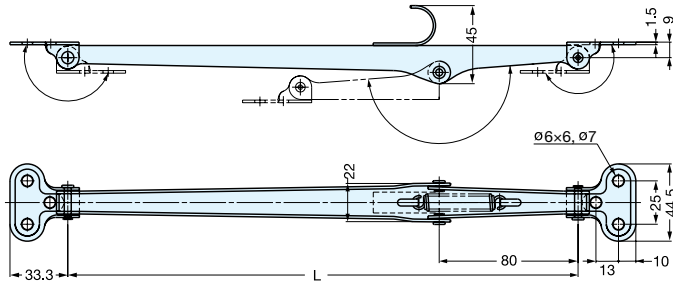
# SPRING LOADED BRACKET



# GTS-300



- Spring loaded for lift assist feature.
- Pull the hook to fold down.
- Max. depth of shelf is 450 mm (17-3/4")
- Max. width of shelf is 300 mm (11-13/16")



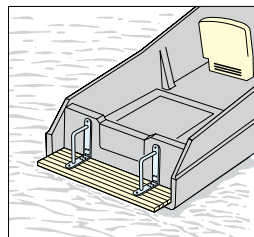
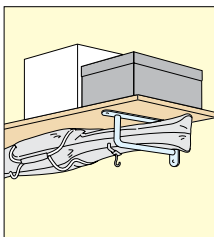
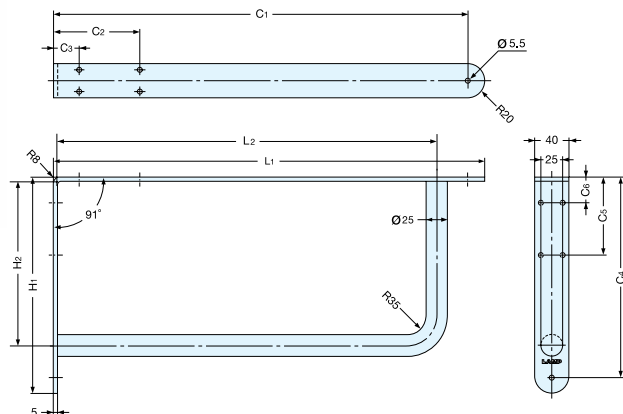
Material	Finish
304 Stainless Steel	Satin

Item No.	L	Load Capacity (kg)	Weight (g)	Box (pcs)	Carton (pcs)
GTS-300	294 (11-37/64")	3 (6.6 lbs), 6 (13 lbs)/2 pcs	190	12	96

# BRACKET



# BY



Material	Finish
304 Stainless Steel	Mirror

Item No.	L <sub>1</sub>	L <sub>2</sub>	H <sub>1</sub>	H <sub>2</sub>	C <sub>1</sub>	C <sub>2</sub>	C <sub>3</sub>	C <sub>4</sub>	C <sub>5</sub>	C <sub>6</sub>	Holes	Screw
BY-300	300 (11-13/16")	240	150 (5-29/32")	90	280	100	30	130	-	30	8	5 x 25, 5 x 16
BY-400	400 ( 15-3/4" )	340	200 ( 7-7/8" )	140	380	120		180	90	30	10	
BY-500	500 (19-11/16")	440	250 (9-27/32")	190	480	160		230				

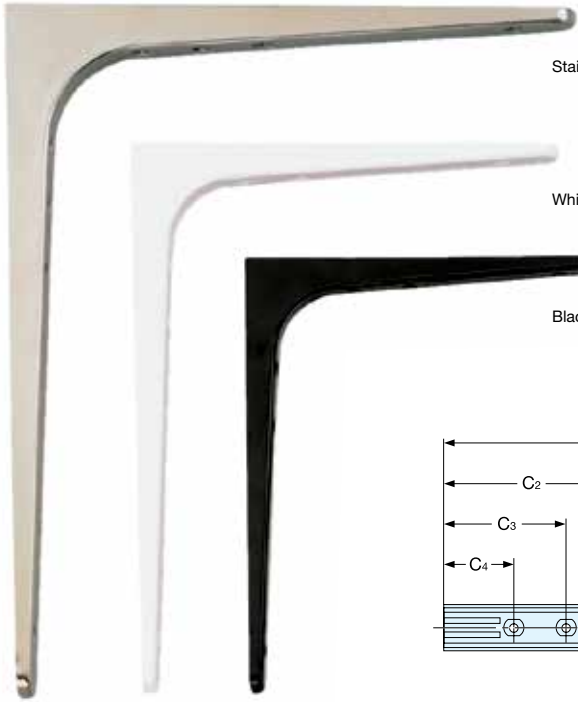
Item No.	Load Capacity (kg)	Weight (g)	Box (pcs)	Carton (pcs)
BY-300	50 (110 lbs)	1100	2	6
BY-400		1400		
BY-500		1800		

BRACKET



BT, BTK, BTW

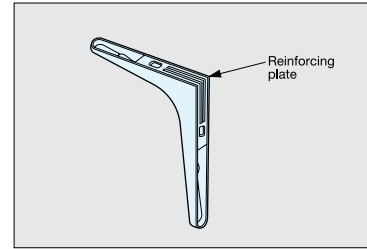
• Stainless steel (satin finish) or steel (white or black) available.



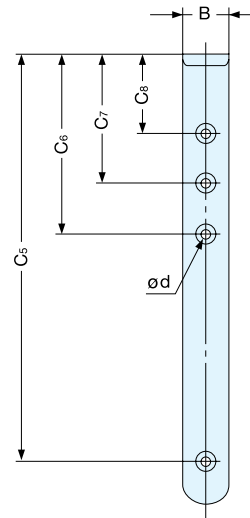
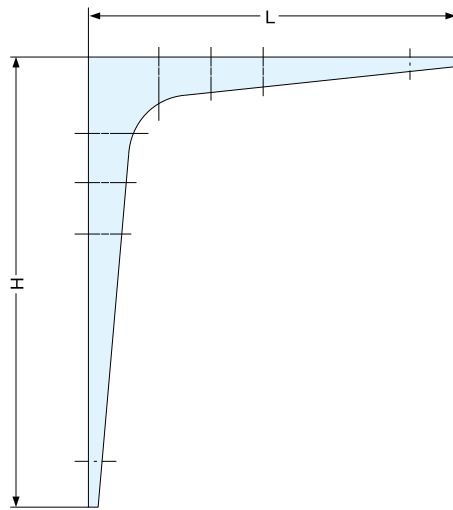
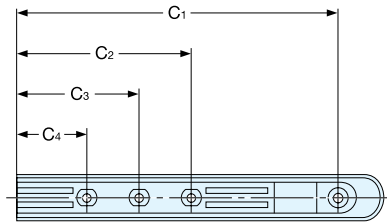
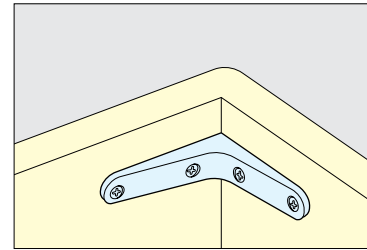
Stainless Steel

White

Black



Reinforcing plate



Item No.			L	H	B	C <sub>1</sub>	C <sub>2</sub>	C <sub>3</sub>	C <sub>4</sub>	C <sub>5</sub>	C <sub>6</sub>	C <sub>7</sub>	C <sub>8</sub>	d
Stainless	Steel													
BT-85	BTK-85	BTW-85	69.0 ( 2-23/32" )	86.0 ( 3-25/64" )	15 ( 19/32" )	58.0	27.0	-	-	75.0	26.0	-	-	4.0
BT-120	BTK-120	BTW-120	100.0 ( 3-15/16" )	120.0 ( 4-23/32" )		85.0	43.0	-	-	106.0	42.0	-	-	
BT-180	BTK-180	BTW-180	148.5 ( 5-27/32" )	180.5 ( 7-7/64" )		131.0	71.0	50.0	-	162.5	72.5	51.5	-	
BT-240	BTK-240	BTW-240	199.0 ( 7-27/32" )	240.0 ( 9-29/64" )	18 ( 23/32" )	176.0	91.0	59.0	-	217.0	92.0	60.0	-	5.0
BT-300	BTK-300	BTW-300	238.5 ( 9-25/64" )	301.0 ( 11-27/32" )	20 ( 25/32" )	206.5	92.5	60.5	-	269.0	95.0	63.0	-	
BT-380	BTK-380	BTW-380	318.0 ( 12-33/64" )	378.0 ( 14-7/8" )	23 ( 29/32" )	285.0	145.0	110.0	75	345.0	145.0	110.0	75	
BT-480	BTK-480	BTW-480	400.0 ( 15-3/4" )	480.0 ( 18-57/64" )	30 ( 1-3/16" )	360.0	180.0	135.0	90	440.0	180.0	135.0	90	5.5

Item No.			Holes	Load Capacity (kg)	Weight (g)	Box (pcs)	Carton (pcs)
Stainless	Steel						
BT-85	BTK-85	BTW-85	4	15.0 ( 33 lbs )	40	20	240
BT-120	BTK-120	BTW-120		20.0 ( 44 lbs )	60		100
BT-180	BTK-180	BTW-180		25.0 ( 55 lbs )	110		200
BT-240	BTK-240	BTW-240	6	28.0 ( 61 lbs )	200	10	100
BT-300	BTK-300	BTW-300		35.0 ( 77 lbs )	310		40
BT-380	BTK-380	BTW-380		65.0 ( 143 lbs )	470		40
BT-480	BTK-480	BTW-480	8	82.5 ( 181 lbs )	1100	6	60

Material (BT)	Finish
304 Stainless Steel	Satin
Material (BTK/BTW)	Finish/Color
Steel	Black (BTK)/White (BTW)

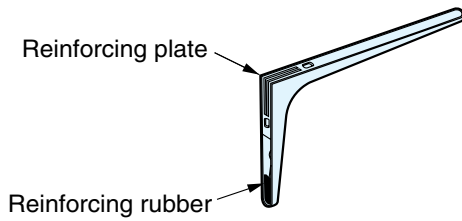
# BRACKET

LOAD CAPACITY  
12-25 kg  
26-55 lbs

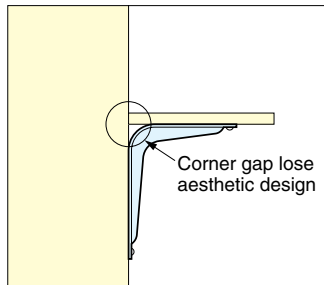


# BTK-UB

• Short arm at wall mount side for clean appearance.

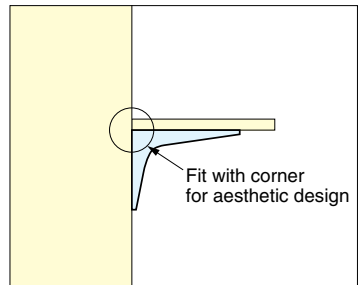


Typical bracket design

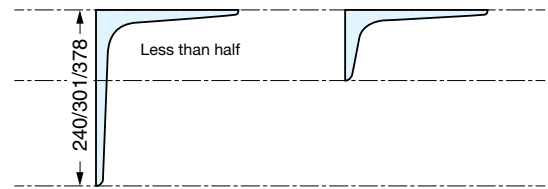
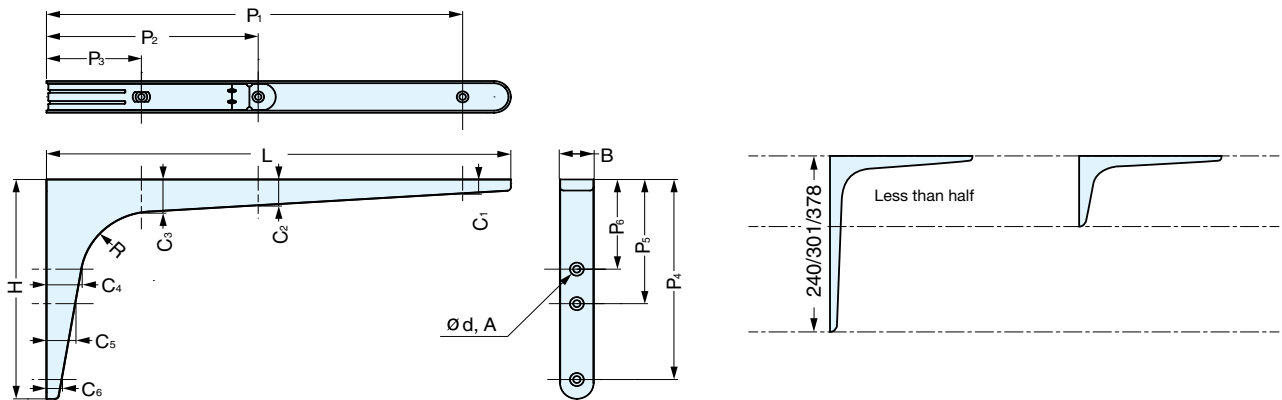


Normal brackets leave a gap, ruining the aesthetic.

BTK-UB



Fits into the corner leaving a clean aesthetic.



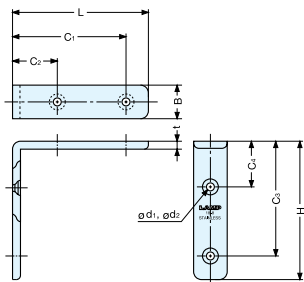
Part Name	Material	Carton (pcs)
Bracket Body	Steel	White (W)/Black (B)/Umber (UM)
Reinforcing Rubber	EPDM	-

Item No.	Load Capacity (kgf)	H	L	B	P <sub>1</sub>	P <sub>2</sub>	P <sub>3</sub>	P <sub>4</sub>	P <sub>5</sub>	P <sub>6</sub>	Weight (g)	Box (pcs)	Carton (pcs)
BTK-UB100	12 (26 lbs)	99.5	199.0	18	176.0	91.0	45	85.0	45.0	-	170	10	100
BTK-UB120	20 (44 lbs)	119.5	238.5	20	206.5	92.5	45	105.5	71.5	45	230		
BTK-UB160	25 (55 lbs)	159.0	318.0	23	285.0	145.0	65	145.0	91.0	65	380		

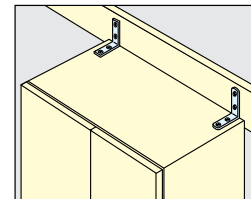
# ANGLE BRACKET



SU



• Stainless steel bracket with subtle and sleek design.



Material	Finish
304 Stainless Steel	Mirror (M)/Satin (S)

Item No.	L	H	C <sub>1</sub>	C <sub>2</sub>	C <sub>3</sub>	C <sub>4</sub>	B	t	d <sub>1</sub>	d <sub>2</sub>	Holes	Load Capacity (kg)	Weight (g)	Box (pcs)	Carton (pcs)	Screw	
SU-30/M	SU-30/S	30 (1-3/16")	30 (1-3/16")	24	11	24	11	12 (15/32")	2.5	3.5	6.5	4	6 (13 lbs)	11	60	960	3.1 × 20
SU-45/M	SU-45/S	45 (1-49/64")	45 (1-49/64")	37	17	37	17	13 (33/64")	3.0	4.0	7.5		5 (11 lbs)	23	50	800	
SU-60/M	SU-60/S	60 (2-23/64")	60 (2-23/64")	50	20	50	20	15 (19/32")					4 (9 lbs)	36	40	640	

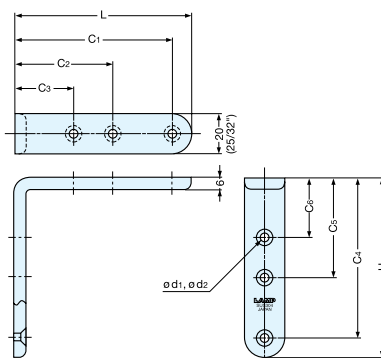
BRACKETS

ANGLE BRACKETS

# ANGLE BRACKET



SU-A



• Stainless steel angle bracket for applications where corrosion is an issue.

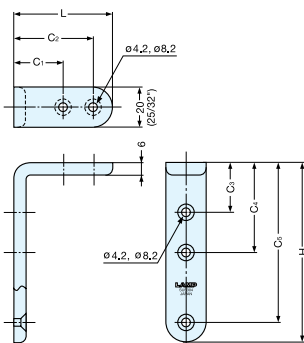
Material	Finish
304 Stainless Steel	Mirror

Item No.	L	H	C <sub>1</sub>	C <sub>2</sub>	C <sub>3</sub>	C <sub>4</sub>	C <sub>5</sub>	C <sub>6</sub>	d <sub>1</sub>	d <sub>2</sub>	Holes	Load Capacity (kg)	Weight (g)	Box (pcs)	Carton (pcs)
SU-A70/M	70 ( 2-3/4" )	70 ( 2-3/4" )	-	60	30	-	60	30	4.2	8.2	4	24 (52 lbs)	107	10	100
SU-A90/M	90 (3-35/64")	90 (3-35/64")	80	50		80	50								
SU-A120/M	120 (4-23/32")	120 (4-23/32")	110	60	30	110	60	30	4.2	8.2	6	13 (28 lbs)	194	8	80
SU-A150/M	150 (5-29/32")	150 (5-29/32")	140			140	60								

# ANGLE BRACKET



SU-B



• Stainless steel angle bracket for applications where corrosion is an issue.

Material	Finish
304 Stainless Steel	Mirror

Item No.	L	H	C <sub>1</sub>	C <sub>2</sub>	C <sub>3</sub>	C <sub>4</sub>	C <sub>5</sub>	Holes	Load Capacity (kg)	Weight (g)	Box (pcs)	Carton (pcs)
SU-B50/M	50 (1-31/32")	90 (3-35/64")	25	40	25	45	80	5	13 (28 lbs)	106	10	100
SU-B65/M	65 (2-9/16")	120 (4-23/32")	30	55	30	60	110			145		
SU-B80/M	80 (3-5/32")	150 (5-29/32")		70		140	5	10 (22 lbs)	186	8	80	

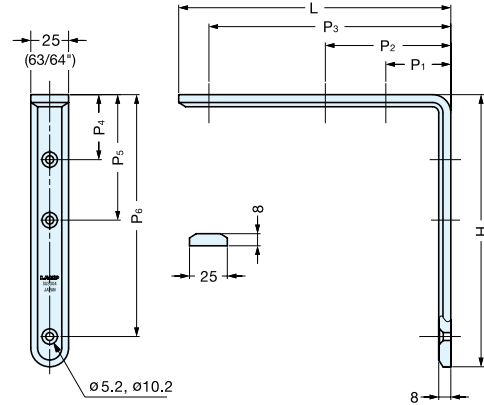


# ANGLE BRACKET



# XL-SA01

• Stainless steel bracket with soft and sleek design.



Material	Finish
304 Stainless Steel	Satin(S)/Mirror (M)

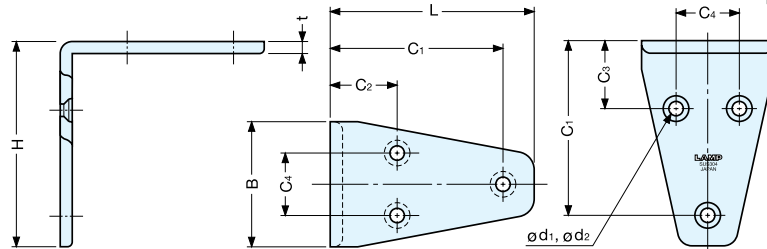
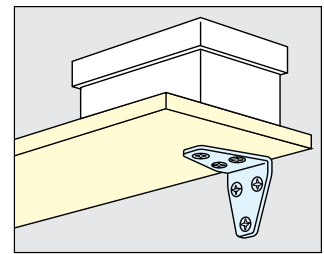
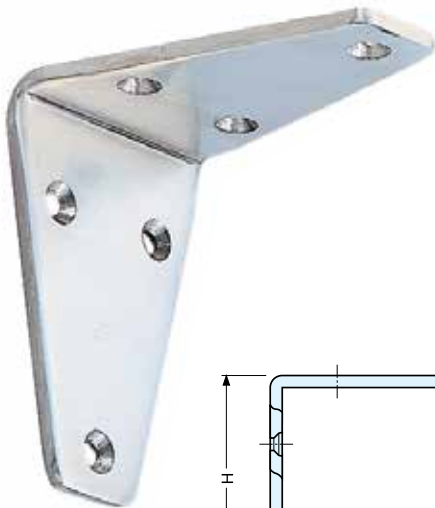
Item No.		L	H	P <sub>1</sub>	P <sub>2</sub>	P <sub>3</sub>	P <sub>4</sub>	P <sub>5</sub>	P <sub>6</sub>	Holes	Load Capacity (kg)	Weight (g)	Box (pcs)	Carton (pcs)
Satin	Mirror													
XL-SA01-120/S	XL-SA01-120/M	120 (4-23/32")	120 (4-23/32")	38	-	100	38	-	100	4	23 (50 lbs)	312	8	40
XL-SA01-150/S	XL-SA01-150/M	150 (5-29/32")	150 (5-29/32")	43	-	130	-	-	130	6	18 (39 lbs)	400	6	30
XL-SA01-180/S	XL-SA01-180/M	180 (7-3/32")	180 (7-3/32")		83	160	43	83	160		14 (30 lbs)	483		
XL-SA01-240/S	XL-SA01-240/M	240 (9-29/64")	240 (9-29/64")			220			220		12 (26 lbs)	660	4	20

# ANGLE BRACKET



# SV

• Stainless steel angle bracket for applications where corrosion is an issue.



Material	Finish
304 Stainless Steel	Mirror (M)/Satin (S)

Item No.		L	H	C <sub>1</sub>	C <sub>2</sub>	C <sub>3</sub>	C <sub>4</sub>	B	t	d <sub>1</sub>	d <sub>2</sub>	Holes	Load Capacity (kg)	Weight (g)	Box (pcs)	Carton (pcs)	Screw
SV-40/M	SV-40/S																
SV-55/M	SV-55/S	55 (2-11/64")	55 (2-11/64")	47	18	18	17	36.5 (1-7/16")		3.8	7.5	6	14 (31 lbs)	58	20	320	
SV-80/M	SV-80/S	80 (3-5/32")	80 (3-5/32")	71	24	24	27	52.0 (2-3/64")	4	4.3	8.5						

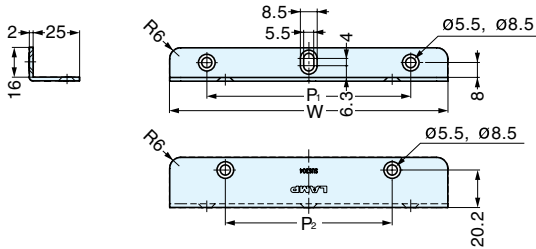
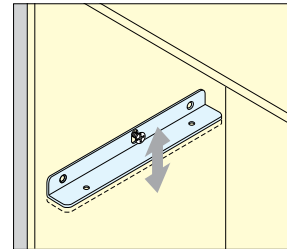
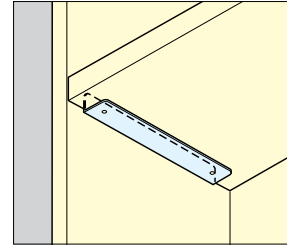
# ANGLE BRACKET



SSA



- L-shaped bracket.
- Height adjustable ( $\pm 2$  mm).



Item No.	Load Capacity (kgf)	W	P <sub>1</sub>	P <sub>2</sub>	Box (pcs)	Carton (pcs)
SSA-100H	150 (330lbs)	100	60	40	30	240
SSA-150H		150	110	90	20	160
SSA-200H		200	160	130	15	120

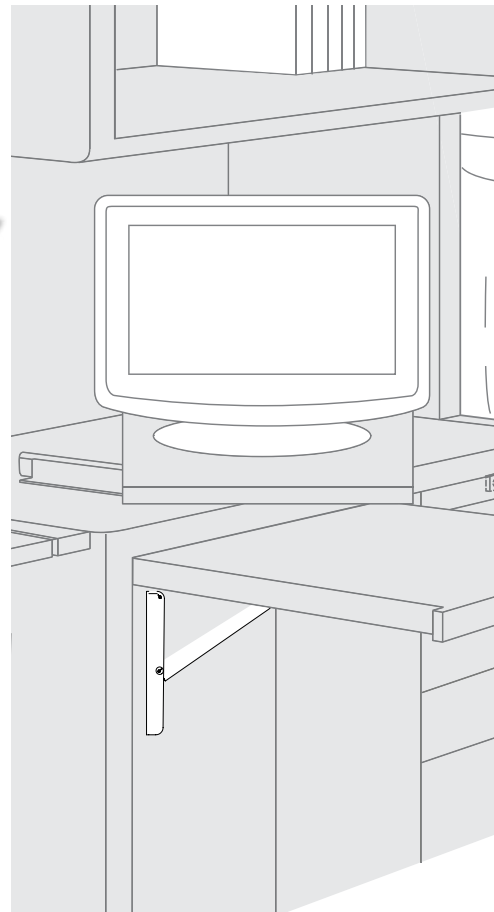
Material	Finish
304 Stainless Steel	Satin

ANGLE BRACKETS

# STAINLESS STEEL FOLDING BRACKETS PROVIDE STOW AWAY TABLE SPACE



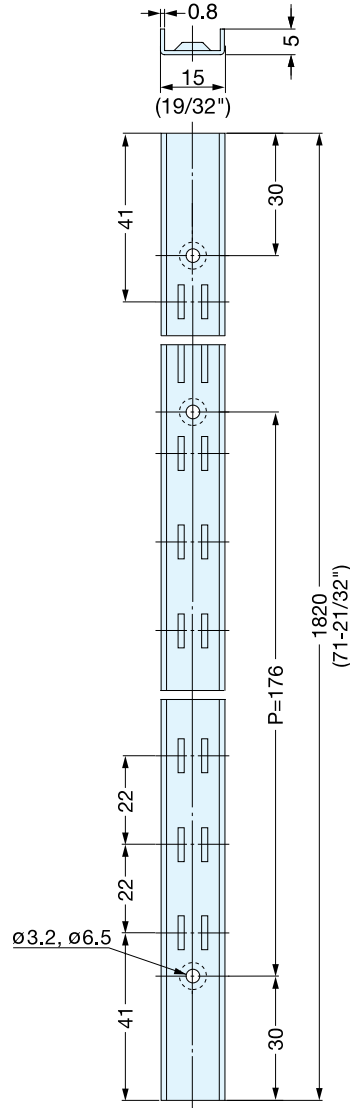
For additional sizes and product information, refer to page 269.



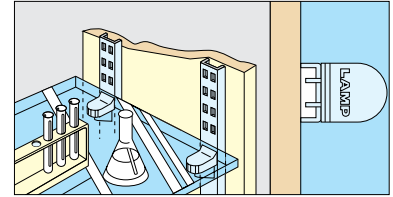
# SHELF STANDARD



# SPH-1820



- Easy height adjustment for changing shelf level.
- Shelf support options:  
SPH-5, SPH-15, SPH-20 (Shelf Supports) SP-18E (End Cap)



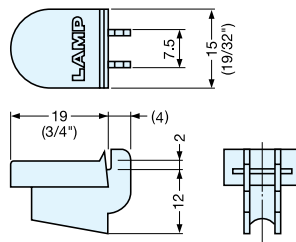
Surface Mount

Item No.	Weight (g)	Carton (pcs)	Material	Finish
SPH-1820	230	80	304 Stainless Steel	Satin

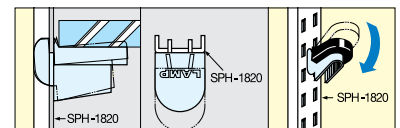
# SHELF SUPPORT



# SPH-20



- Shelf support for SPH-1820.
- Rubber pad provides a gripped surface to reduce slippage.

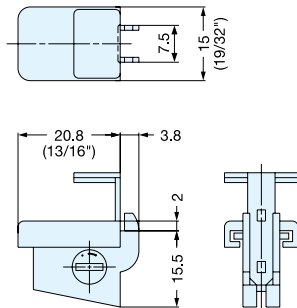


Item No.	Load Capacity (kg)	Weight (g)	Box (pcs)	Carton (pcs)	Material	Finish/Color
SPH-20	130 (286 lbs)/4pcs	4.5	300	3000	304 Stainless Steel	Satin
					Synthetic Rubber Pad	Black

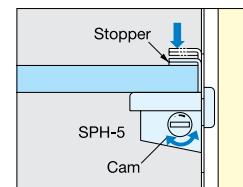
## SHELF SUPPORT (W/HOLDER)



## SPH-5



- Shelf support for SPH-1820.
- Shelf support is friction retention.
- Glass thickness: 4 - 8 mm (5/32" ~ 5/16") thickness
- Rubber pad provides a gripped surface to reduce slippage.

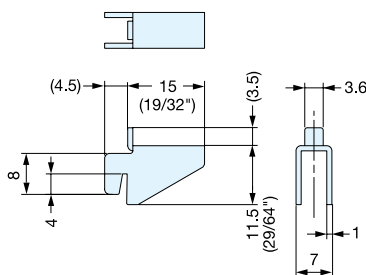


Item No.	Load Capacity (kg)	Weight (g)	Box (pcs)	Carton (pcs)	Material	Finish/Color
SPH-5	130 (286 lbs)/4pcs	8	100	1000	304 Stainless Steel	Satin
					Synthetic Rubber pad	Black

## SHELF SUPPORT



## SPH-15



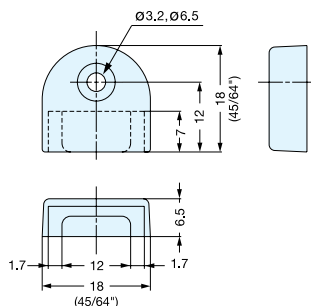
- Shelf support for SPH-1820.

Item No.	Load Capacity (kg)	Weight (g)	Box (pcs)	Carton (pcs)	Material	Finish
SPH-15	130 (286 lbs)/4pcs	2.6	400	4000	304 Stainless Steel	Satin

## END CAP



## SP-18E



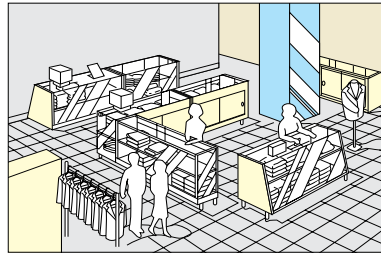
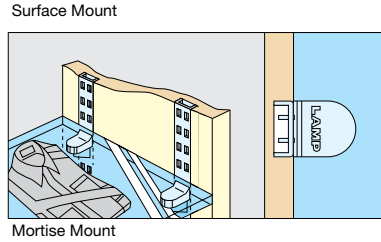
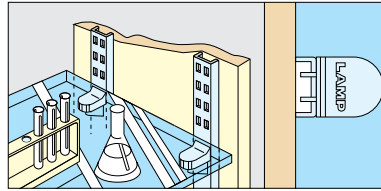
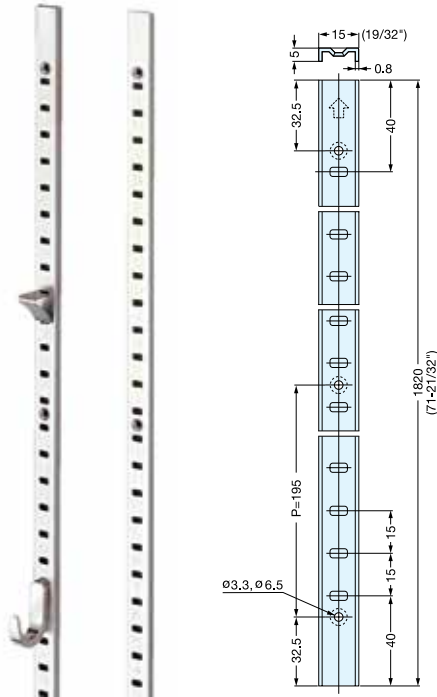
- End cover cap for SPH, SM, SP shelf standards.

Item No.	Weight (g)	Box (pcs)	Carton (pcs)	Material	Color
SP-18E/BLK	1.3	500	5000	ABS	Black (BLK)/White (WHT)
SP-18E/WHT					

# SHELF STANDARD



# SP-1820



- Easy height adjustment for changing shelf level.
- Shelf support/hook options: SPB-15R, SPB-20, SPF-20, SPF-20LC (Shelf Supports), SPF-20A (Shelf Holder), SPB-35 (Hook), SP-18E (End Cap).

Item No.	Holes	Weight (g)	Carton (pcs)	Material	Finish
SP-1820	10	222	60	304 Stainless Steel	Satin

## ACCESSORIES



SPB-15R



SPB-30



SPF-20



SPB-20



SPF-20A



SPB-200



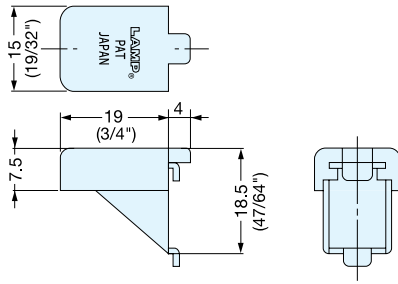
SPF-20LC

\*Shelf support SPF-20 Sold Separately

## SHELF SUPPORT



## SPB-15R



- Shelf support for SP-1820.
- Rubber pad provides a gripped surface to reduce slippage.



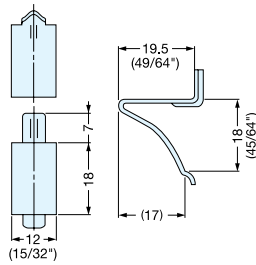
Item No.	Load Capacity (kg)	Weight (g)	Box (pcs)	Carton (pcs)
SPB-15R	100 (220 lbs)/4pcs	6	300	3000

Material	Finish/Color
304 Stainless Steel	Satin
Elastomer	Black

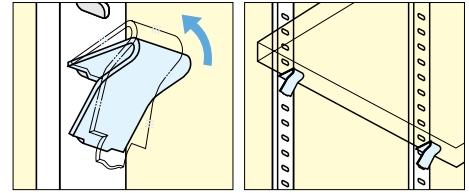
## SHELF SUPPORT



## SPB-20



- Shelf support for SP-1820.



Item No.	Load Capacity (kg)	Weight (g)	Box (pcs)	Carton (pcs)
SPB-20	45 (99 lbs)/4pcs	3.6	300	3000

Material	Finish
304 Stainless Steel	Satin

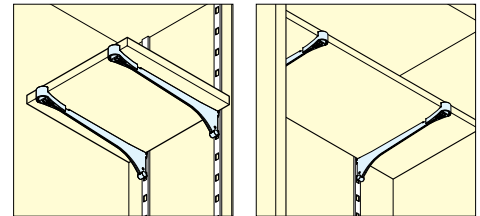
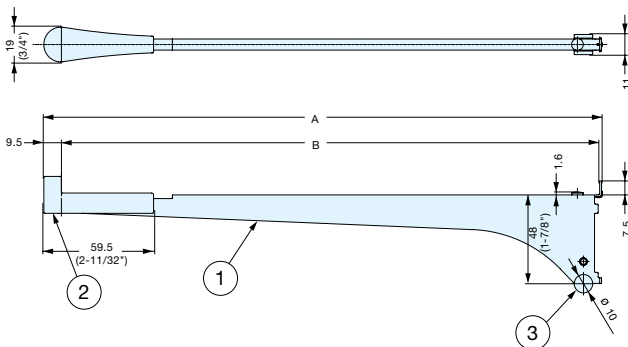
## SHELF BRACKET



## SPB-200



- Telescoping shelf supports.
- Use with SP-1820 shelf standards (sold separately).
- Sold as each: use 2 supports per shelf.
- If using glass, max. Shelf width should not exceed 900 mm (35-7/16").



No.	Part Name	Material	Finish/Color
①	Main Body	Stainless Steel	Satin
②	Shelf Retainer Clip	Polypropylene	White
③	Base Hook		

Item No.	A (Projection)			B (Shelf Depth)			Load Capacity (kg)	Weight (g)	Box
SPB-200	193 (7-19/32")	203 (7-63/64")	213 (8-25/64")	180 (7-3/32")	190 (7-31/64")	200 (7-7/8")	10kg (22 lbs)/per pair	65	50

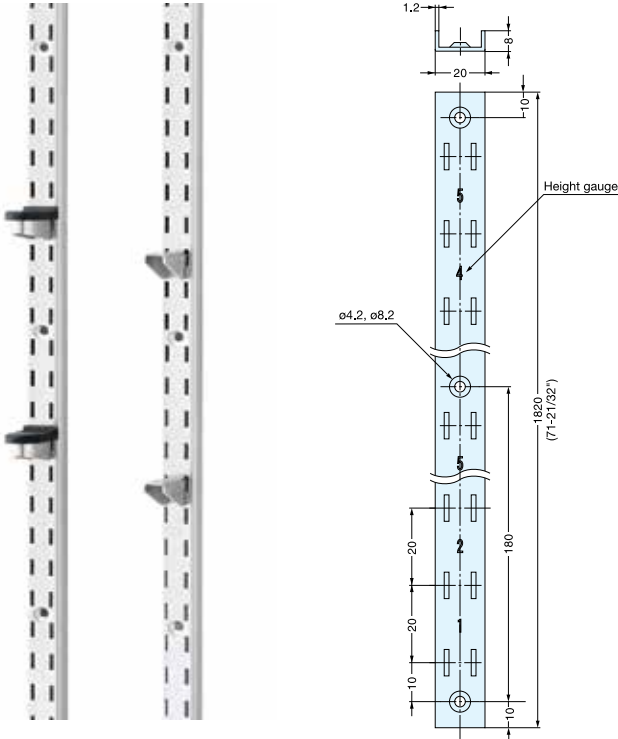




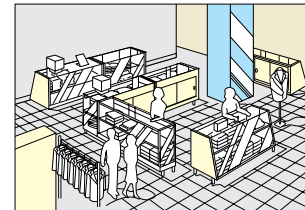
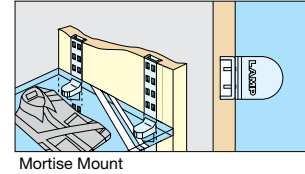
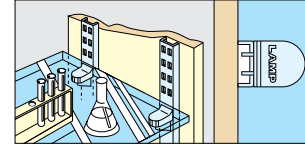
# HEAVY DUTY SHELF STANDARD



# SPHL-1820



- Heavy duty shelf standard.
- Easy height adjustment for changing shelf level.
- Shelf support options: SPHL-25  
SPHL-30

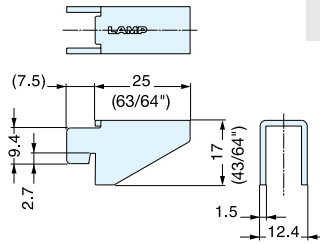


Item No.	Weight (g)	Carton (pcs)	Material	Finish
SPHL-1820	500	30	304 Stainless Steel	Satin

# SHELF SUPPORT



# SPHL-25



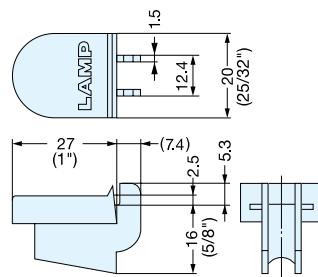
- Shelf support for SPHL-1820.

Item No.	Load Capacity (kg)	Weight (g)	Box (pcs)	Carton (pcs)	Material	Finish
SPHL-25	150 (330 lbs)/4pcs	11	200	1200	304 Stainless Steel	Satin

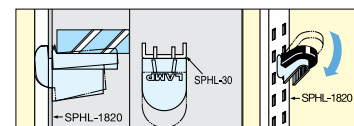
# HEAVY DUTY SHELF SUPPORT



# SPHL-30



- Shelf support for SPHL-1820.
- Rubber pad prevents glass shelf from sliding.
- Rubber pad provides a gripped surface to reduce slippage.



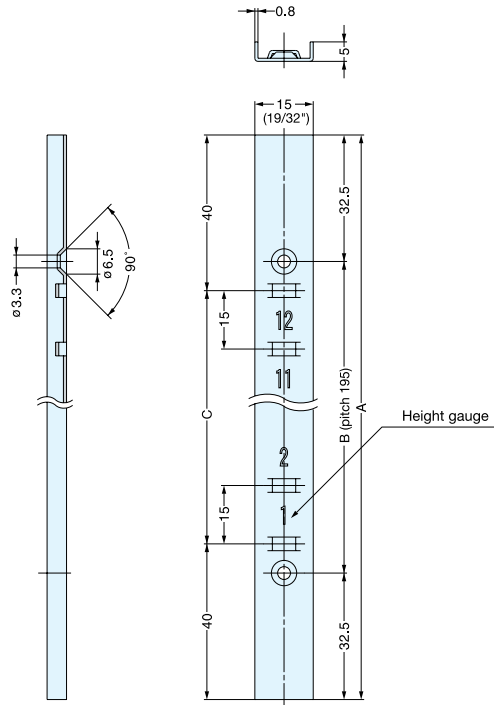
Item No.	Load Capacity (kg)	Weight (g)	Box (pcs)	Carton (pcs)	Material	Finish/Color
SPHL-30	150 (330 lbs)/4pcs	12	100	1000	304 Stainless Steel Elastomer	Satin Black



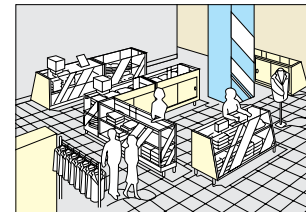
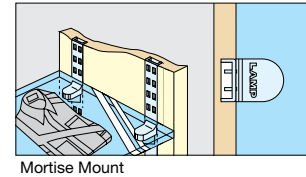
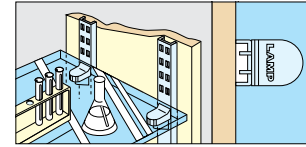
# SHELF STANDARD



# SM-1820



- Easy height adjustment for changing shelf level.
- Shelf support options: SMB-15R, SPM-20B.



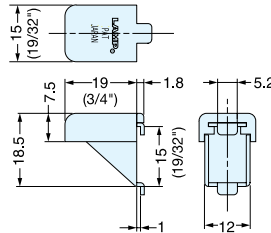
Item No.	A	B	C	Weight (g)	Carton (pcs)
SM-1820	1820 (71-21/32")	1755	1740	245	60

Material	Finish
304 Stainless Steel	Satin

# SHELF SUPPORT



# SMB-15R



- Shelf support for SM-1820.
- Rubber pad provides a gripped surface to reduce slippage.

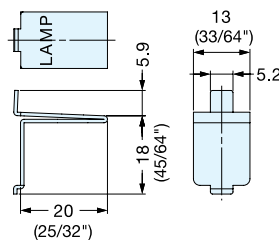
Item No.	Load Capacity (kg)	Weight (g)	Box (pcs)	Carton (pcs)
SMB-15R	90 (198 lbs)/4pcs	6	300	3000

Material	Finish/Color
304 Stainless Steel	Satin
Elastomer	Grey

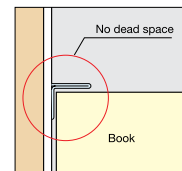
# SHELF SUPPORT



# SPM-20B



- Shelf support for SM-1820.
- Designed to maximize shelf space.



Item No.	Load Capacity (kg)	Weight (g)	Box (pcs)	Carton (pcs)
SPM-20B	60 (132 lbs)/4pcs	5	300	3000

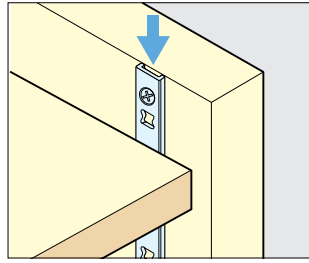
Material	Finish
304 Stainless Steel	Satin

SHELF STANDARD

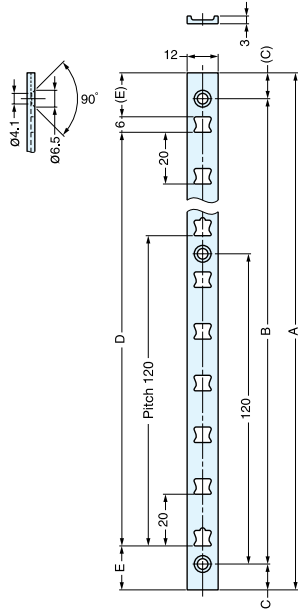


AP-DM, AP-DH

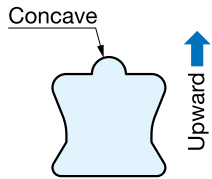
SHELF STANDARDS BRACKETS



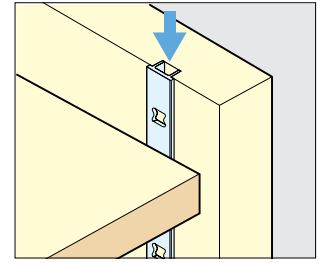
Surface Mount



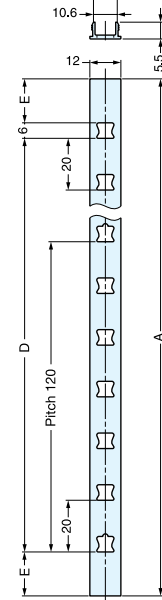
- Aluminum shelf standard.
- Can be cut to desired length.
- Thin profile (3 mm, 1/8") suitable for surface mount.
- Screw hole located every 120 mm (4-23/32").
- New slot shape to prevent shelf support from falling off.
- Special screw with silver finish available. (AP-SC3-16)



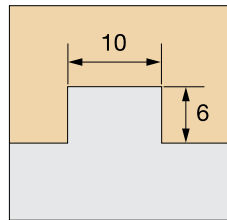
\* Install the standard with concave slot (located every 120mm) pointing upward.



Mortise Mount

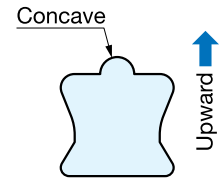


- Aluminum shelf standard.
- Can be cut to desired length.
- Designed for press-fit mount without using screws.
- New slot shape to prevent shelf support from falling off.



Bore Dimension (In case of Plywood)

\* Fit tightness may vary depending on the panel/wall material. Use adhesive if loose.



\* Install the standard with concave slot (located every 120mm) pointing upward.

Item No.	Screw Type	Material
AP-SC3-16	Flat-head wood 3x16	Steel
Item No.	Finish/Color	Box (set)
AP-SC3-16	Yellow Zinc Chromate (Head-Silver)	100

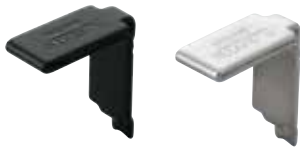
Item No.	Mounting Type	A	B	C	D	E	Weight (g)	Material	Finish	Carton (pcs)
AP-DM1820	Surface Mount	1820 (71-21/32")	1800	10	1780	17	113	Aluminum	Anodized	100
AP-DM2600		2600 (102-23/64")	2520	40	2500	47	161			60
AP-DH1820	Mortise Mount	1820 (71-21/32")	-	-	1780	17	131			100
AP-DH2600		2600 (102-23/64")	-	-	2500	47	187			60

# SHELF SUPPORT

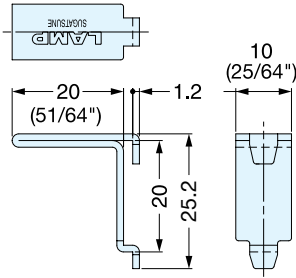


**LOAD CAPACITY**  
45 kg  
99 lbs

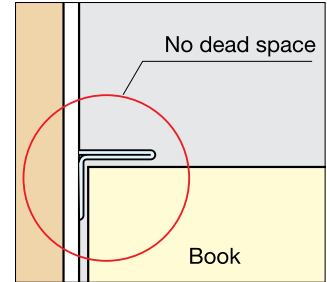
# AP-FB20



Black



- Shelf support for AP-DM and AP-DH.
- Designed to maximize shelf space.



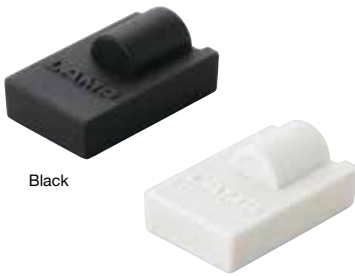
Item No.	Load Capacity (kg)	Weight (g)	Box (pcs)	Carton (pcs)
AP-FB20	45 (99 lbs)/4 pcs	5.3	300	3000
AP-FB20-BL				

Material	Finish
430 Stainless Steel	Satin/Black

# END CAP

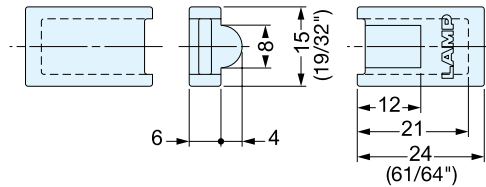


# AP-FC20

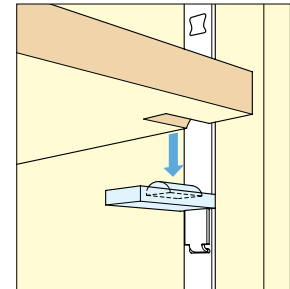


Black

Light Grey



- Rubber cap for shelf support AP-FB20.
- Insert the cap with half round shape facing up and cutout the shelf to prevent from sliding.



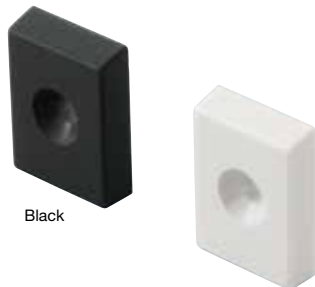
Item No.	Weight (g)	Box (pcs)	Carton (pcs)
AP-FC20	5	400	4000
AP-FC20-BL			

Material	Color
Elastomer	Light Grey/Black

# END CAP

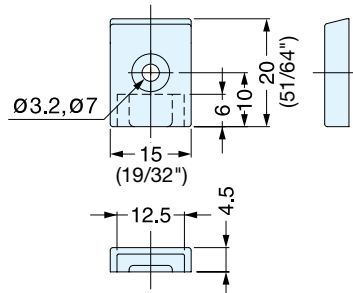


# AP-EC20



Black

Light Grey



- End cap for AP-DM.

Item No.	Weight (g)	Box (pcs)	Carton (pcs)
AP-EC20	5	400	4000
AP-EC20-BL			

Material	Color
ABS	Light Grey/Black

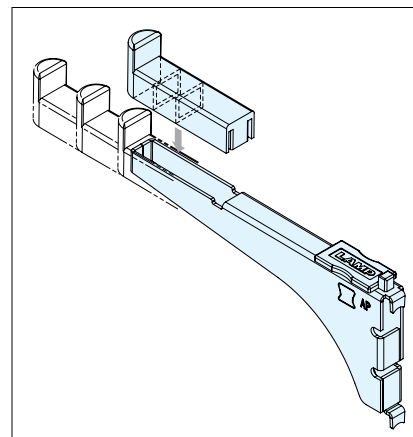
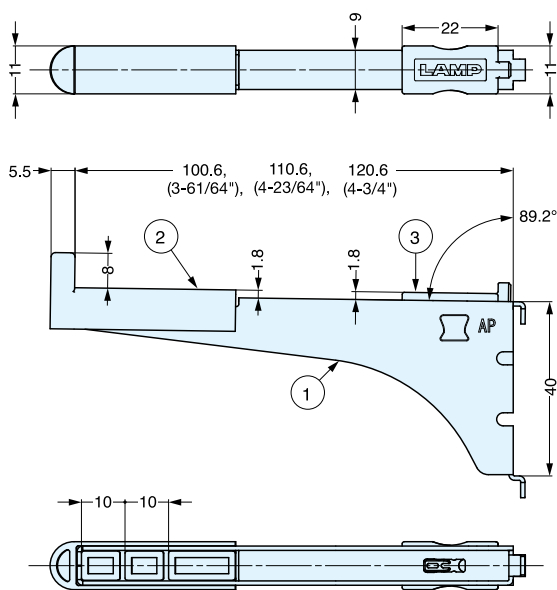
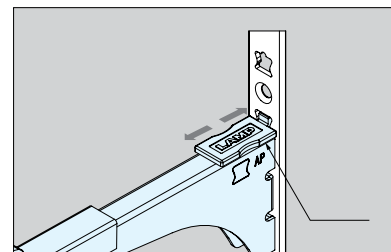
# SHELF BRACKET



# AP-FB120

BRACKETS  
SHELF BRACKETS

- Adjustable shelf bracket for up to 3 different depths.
- For use with the AP-DM shelf standard (sold separately)
- Locking tab feature for additional retention.
- Can be used with glass.



Adjustable shelf bracket for up to 3 different depths.

Item No.	Shelf Thickness	Load Capacity	Weight (g)
AP-FB20	-	5 kgf/2 pieces	33

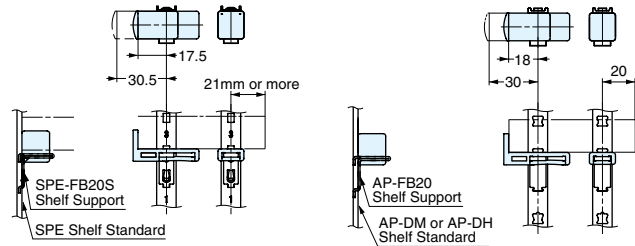
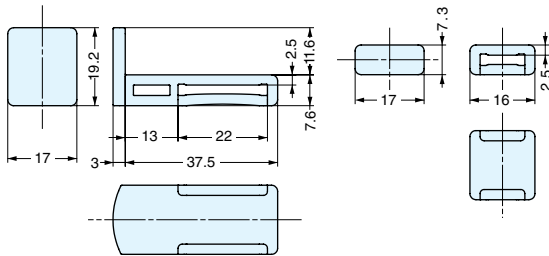
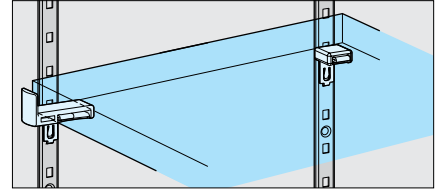
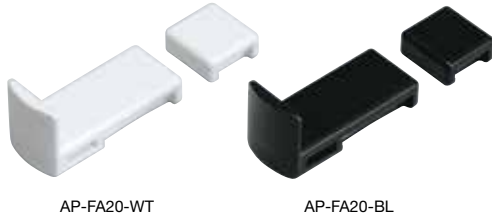
No.	Subcomponent	Material
①	Main Body	304 Stainless Steel
②	Shelf Retainer Clip	Polypropylene
③	Locking Tab	

# SHELF SUPPORT



# AP-FA20

- Accessory plastic holder used with SPE, AP-DM, and AP-DH series shelf standards (all sold separately) to keep the shelf in position.
- Sold as a set with one front and back shelf holder.



Item No.	Weight (g)	Material	Finish
AP-FA20/WT	4.9	Polyethylene	White
AP-FA20/BL			Black

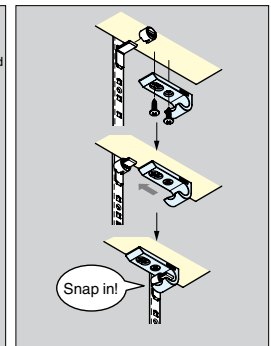
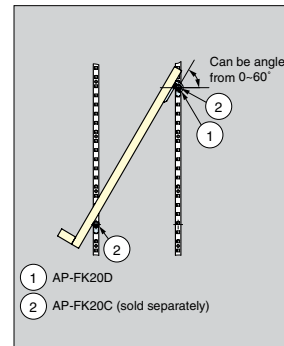
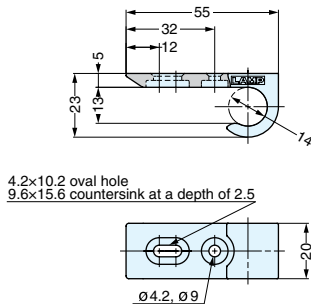
Item No.	Shelf Thickness	Shelf standard center to front edge distance
AP-FB20	12 mm (15/32")	18.0 - 30.0
SPE-FB20S		17.5 - 30.5
SPE-FB20SWT		17.5 - 30.5

# SHELF HOLDER



# AP-FK20D

- Accessory clip for use with angled shelves.
- Used with AP-FB series shelf supports along with AP-FK20C core (both sold separately). Both components are compatible with AP-DM or AP-DH series shelf standards.
- Angle shelf 60° downwards.



Item No.	Shelf Thickness	Load Capacity	Material	Finish
AP-FK20D	18 mm (Minimum)	294 N/30 kgf	Polyacetal	White

# SHELF SUPPORTS

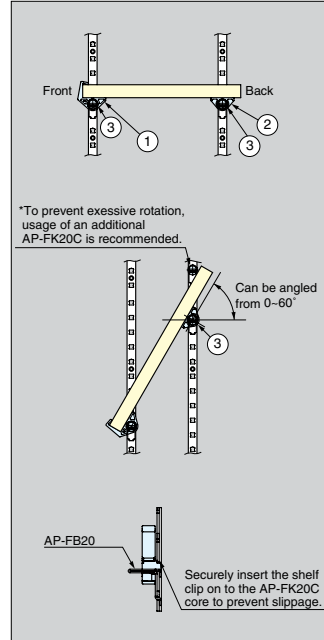
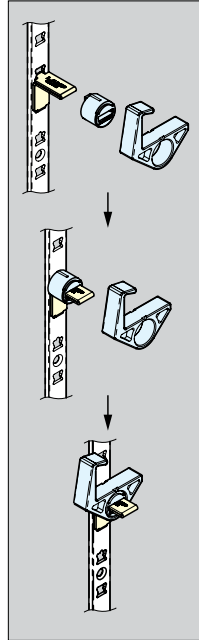
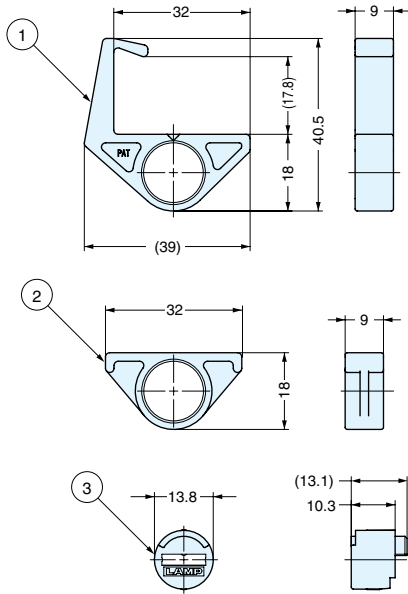


# AP-FK20



- Angle adjustable shelf clip.
- Can angle shelf up to 60°.
- Used in conjunction with the following parts: AP-FB20 shelf support, AP-DM/AP-DH series shelf standards.

BRACKETS SHELF SUPPORTS



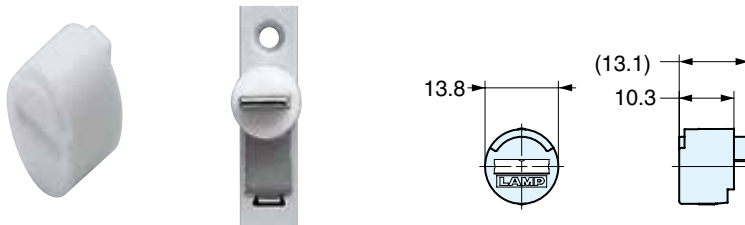
Item No.	Shelf Thickness	Load Capacity	Unit of Measurement
AP-FK20	18-20 mm (45/64"-25/32")	98 N/10 kgf	Sold as set, front clip A and rear clip B

No.	Subcomponent	Material
①	Front Clip A	Polyacetal
②	Rear Clip B	
③	AP-FK20C Core (sold separately)	Polypropylene

# SHELF SUPPORT ACCESSORY CORE

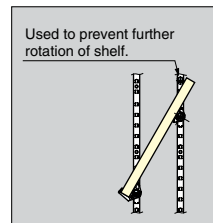
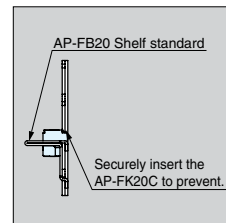


# AP-FK20C



- Accessory used with AP-FB20 shelf supports, AP-FK20D angle adjustable clip, AP-FK20 angle adjustable clip set (sold separately).
- All items listed above is used with AP-DM and AP-DH shelf standards (also sold separately).

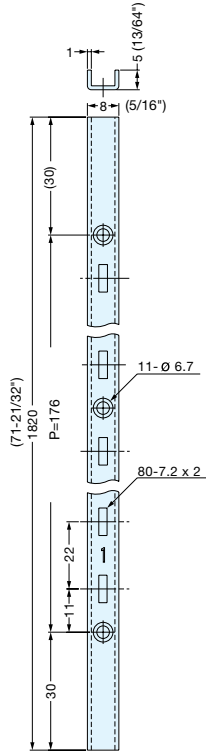
Item No.	Material	Finish
AP-FK20C	Polyethylene	White



# SHELF STANDARD



# SPN-1820



- Unique slim 8 x 5 profile.
- Easy to cut to desired length.
- Slim 8 mm profile.
- Shelf support options:
  - SPN-15 (Shelf Support), SPN-17EC (End Cap)

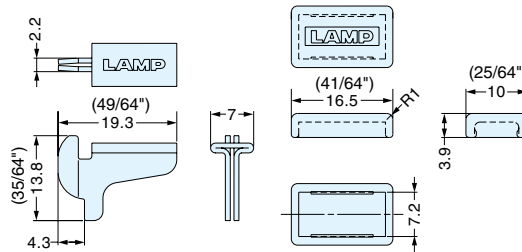
Material	Finish
430 Stainless Steel	Satin

Item No.	Length (mm)	Hole	Weight (g)	Box (pcs)
SPN-1820	1820 (71-21/32")	11	205	60

# SHELF SUPPORT AND END CAP



# SPN-15



- Shelf support for SPN-1820

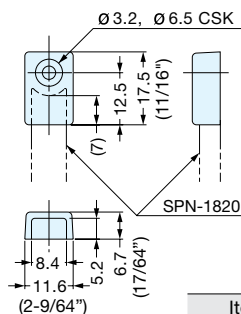
Item No.	Material	Color	Weight (g)	Box (pcs)	Carton (pcs)
SPN-15C	Elastamer	White	0.5	400	4000

Item No.	Material	Finish	Load Capacity (kg)	Load Capacity (lbs)	Weight (g)	Box (pcs)	Carton (pcs)
SPN-15	304 Stainless Steel	Plain	80/4 pcs	176/4 pcs	2	400	4000

# END CAP



# SPN-17



- Cap for SPN-1820

Item No.	Material	Color	Weight (g)	Box (pcs)	Carton (pcs)
SPN-17EC	Polypropylene	White	0.9	400	4000

BRACKETS

NARROW SHELF STANDARDS/SHELF SUPPORTS/END CAPS