

# Sliding Door Latch, Model HC-3051 Installation Instruction

Please read this instruction sheet carefully for proper installation and operation. This instruction sheet should be kept after installation.

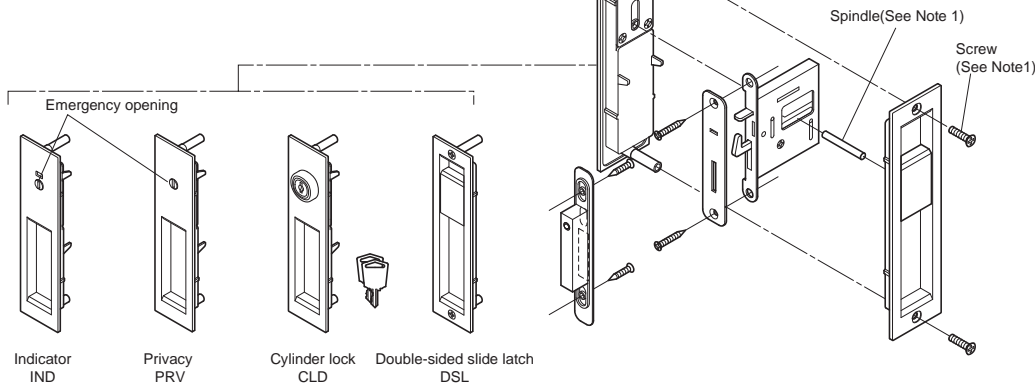
## Parts composition

Check that the package contains items shown below.

■ Note 1 (35 = 1-3/8") (45 = 1-3/4")

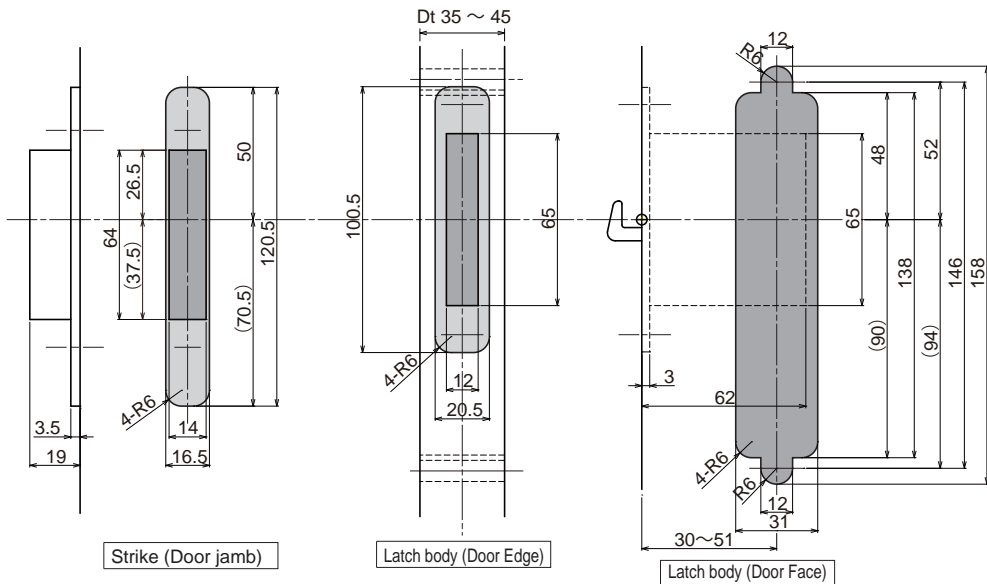
Door thickness(mm)	35	36	37	38	39	40	41	42	43	44	45
Screw length(mm)	20					25					
Spindle length(mm)	35			39			43				

Change the screws and spindle according to the door thickness.



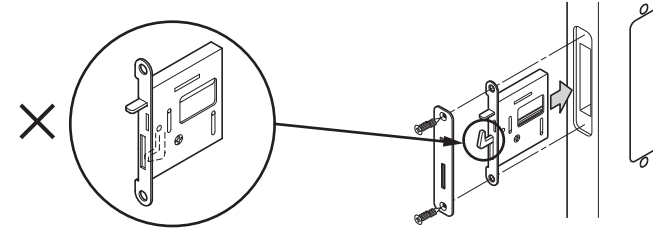
## Door jamb and door preparation

Refer to drawings below for bore dimensions.

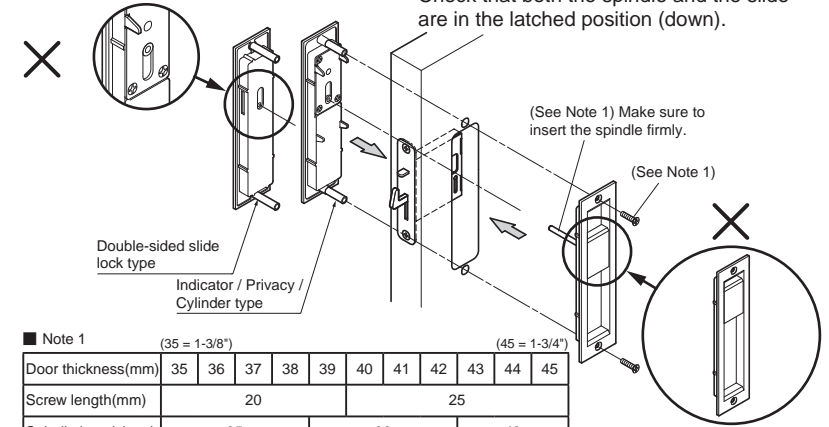


## Installing procedures

Do not use impact driver. Fasten/loosen the screw by hand driver. Check that the hooked cam is out.



Check that both the spindle and the slide are in the latched position (down).

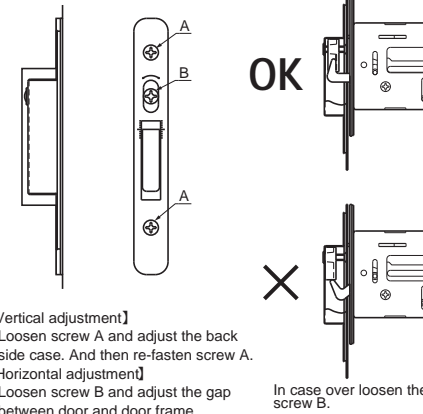


■ Note 1 (35 = 1-3/8") (45 = 1-3/4")

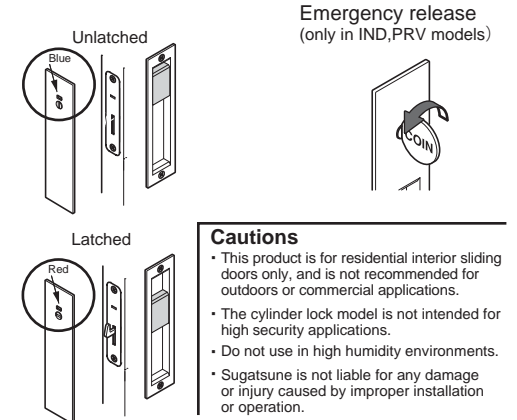
Door thickness(mm)	35	36	37	38	39	40	41	42	43	44	45
Screw length(mm)	20					25					
Spindle length(mm)	35			39			43				

Change the screws and spindle according to the door thickness.

## Adjustment to the strike plate



## Checking the operation of Latch



SUGATSUNE KOGYO CO.,LTD.  
Tokyo, JAPAN  
Phone: +81 (0)3 3866 2260  
E-mail: export@sugatsune.co.jp

SUGATSUNE EUROPE GmbH  
Dusseldorf, GERMANY  
Phone: +49 211 53812900  
E-mail: info@sugatsune.eu

SUGATSUNE SHANGHAI Co., LTD.  
Shanghai, CHINA  
Phone: +86 21 3632 1858  
E-mail: lamp@sugatsune.com.cn

SUGATSUNE AMERICA, INC.  
California, USA  
Phone: +1 310 329 6373  
E-mail: sales@sugatsune.com

SUGATSUNE KOGYO (UK) LTD.  
Reading, UK  
Phone: +44 118 9272 955  
E-mail: sales@sugatsune.co.uk

SUGATSUNE KOGYO INDIA PRIVATE LIMITED  
Mumbai, INDIA  
Phone: +91 22 28314490/91  
E-mail: sales@sugatsune.in

Guangzhou, CHINA  
Phone: +86 20 6639 3552  
E-mail: lamp@sugatsune.com.cn

Chicago, USA  
Phone: +1 312 461 1081  
E-mail: chicagoshowroom@sugatsune.com

ISO9001(Japan Offices and Sugatsune America) and ISO14001(Chiba Production division and Logistics center), certified.

2016.10 0925-4

