

SLIDING DOOR LATCH

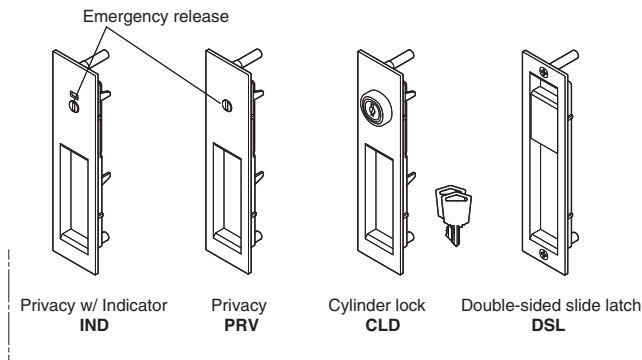


HC-3051 SERIES



- Recessed latch handle for wooden sliding doors.
- 4 model types available.
- The backset is adjustable at any position between 30mm and 51mm from the door edge.
- Applicable door thickness: 35-45mm (1-3/8"~1-3/4"). 3 different lengths of spindles and 2 different lengths of screw are included. Initial setting is for 38mm door.
- For residential interior sliding doors, including pocket doors.

☒ Latch Body & Strikeplate



☒ Latch Faceplates



The opposite face of every model has a slide handle, as shown for the DSL model.

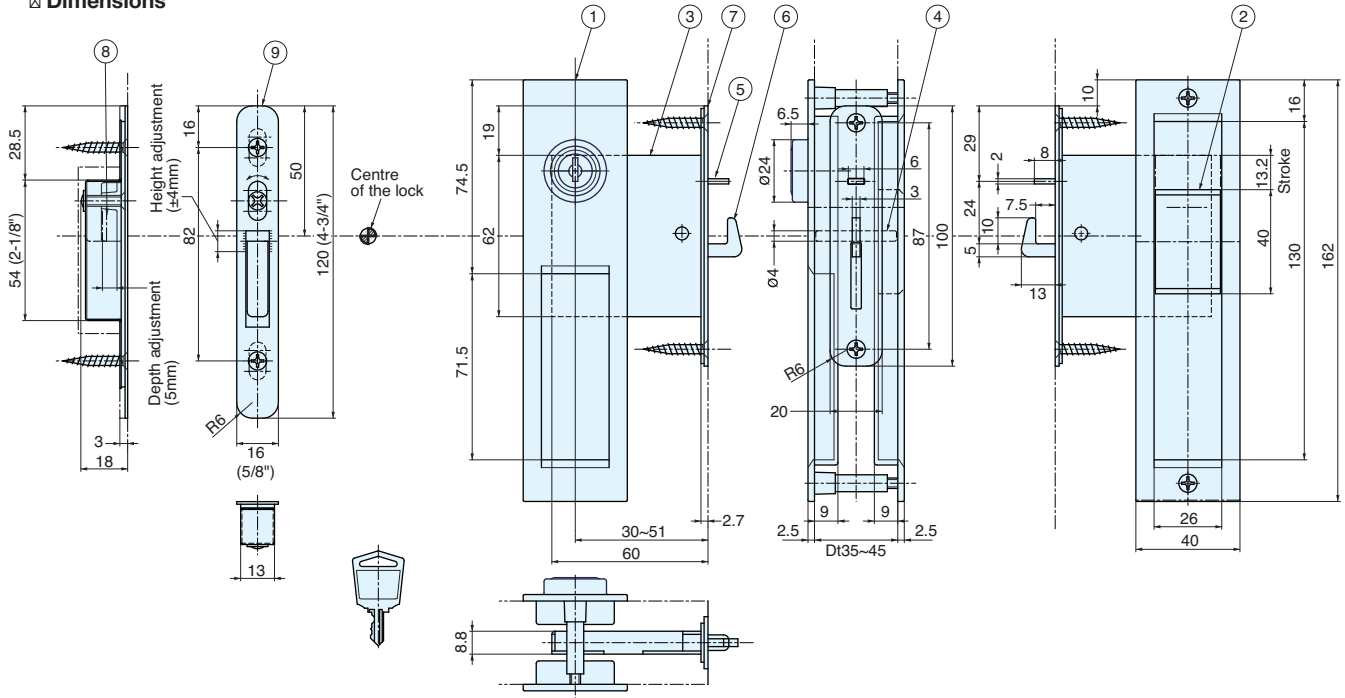
☒ Parts Included

- Spindles $\varnothing 4 \times 35$, $\varnothing 4 \times 39$, $\varnothing 4 \times 43$
- Countersunk head tapping screw 3.5x25 (SUS) for strike & latch body
- Countersunk head screw M4x20, M4x25 (SUS) for latch face plates.

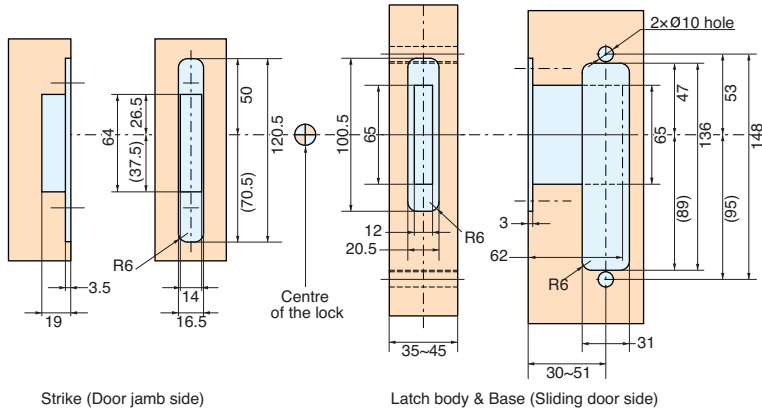
Item Name	Type	Weight (g)	Box (pcs)	Carton (pcs)
HC-3051-PRV-NI	Privacy	531	1	20
HC-3051-IND-NI	Privacy w/ Indicator	535	1	20
HC-3051-CLD-NI	Cylinder lock	557	1	20
HC-3051-DSL-NI	Double Sided Slide	511	1	20

HC-3051-CLD-NI is shown

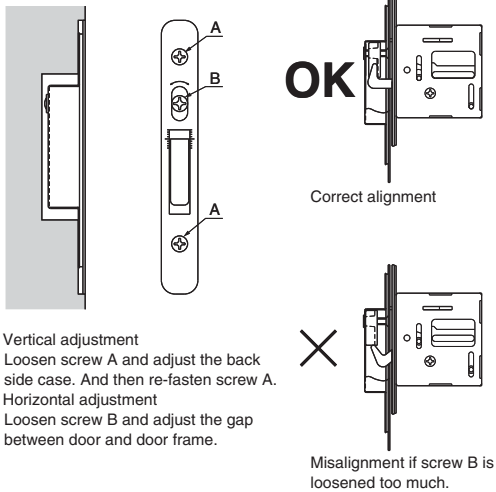
☒ Dimensions



☒ Cut Out Dimensions

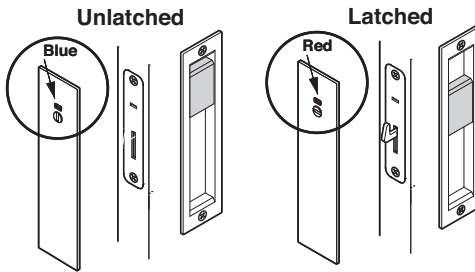


☒ Adjustment to the strikeplate



- Vertical adjustment
Loosen screw A and adjust the back side case. And then re-fasten screw A.
- Horizontal adjustment
Loosen screw B and adjust the gap between door and door frame.

☒ Checking the operation of latch



Emergency opening
(only for IND and PRV models)



No.	Part Name	Material	Finish
①	Base	Zinc Alloy	Nickel
②	Knob		
③	Latch Body	Steel	Plain
④	Spindle		
⑤	Trigger	304 Stainless Steel	Polished
⑥	Bolt		Polished
⑦	Front Plate (Latch)		Satin
⑧	Strike	Steel	Plain
⑨	Front Plate (Strike)	304 Stainless Steel	Stain