

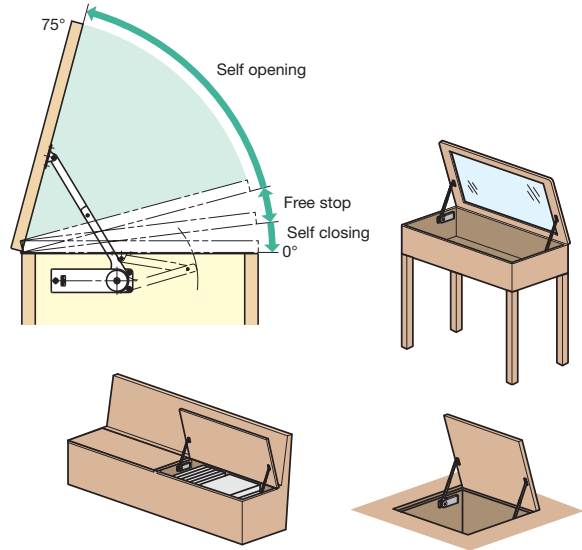
# SELF OPENING STAY



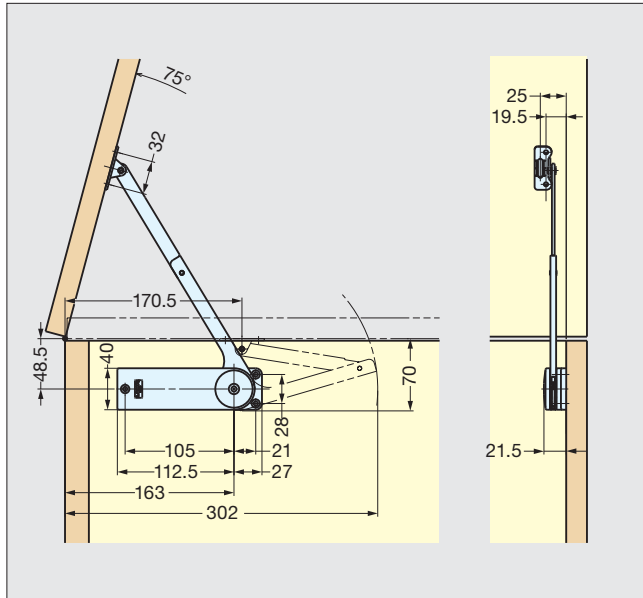
## HDS-20S



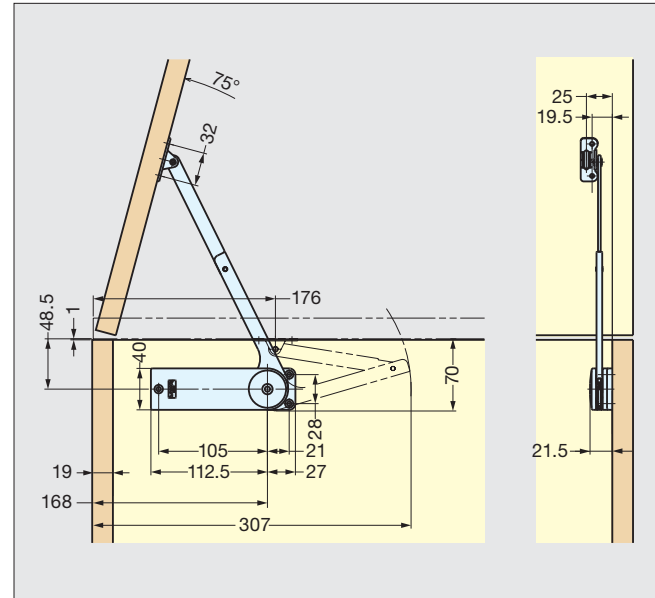
- For TOP-OPENING FLAP DOOR with piano, butt or concealed hinges.
- HDS-20S is designed to hold door in fully opened position.
- Used in pairs.
- Torque Calculation:  
Torque = Door Height x 1/2 x Door Weight  
H-Type : 70~110 kg·cm (60~95 lbs·inch)/pair  
S-Type : 111~150 kg·cm (96~130 lbs·inch)/pair



### With Piano/Butt Hinge



### With Concealed Hinge



| Item No.      |               | Type | Torque (kg·cm/pair) | Weight (g) | Box (pcs) | Carton (pcs) |
|---------------|---------------|------|---------------------|------------|-----------|--------------|
| Left          | Right         |      |                     |            |           |              |
| HDS-20S-HL-BL | HDS-20S-HR-BL | H    | 70~110              | 300        | 40        | 200          |
| HDS-20S-HL-WT | HDS-20S-HR-WT |      |                     |            |           |              |
| HDS-20S-SL-BL | HDS-20S-SR-BL | S    | 111~150             |            |           |              |
| HDS-20S-SL-WT | HDS-20S-SR-WT |      |                     |            |           |              |

| Material | Finish/Color |
|----------|--------------|
| Steel    | Nickel       |
| Plastic  | Black, White |