

LAPCON DOOR DAMPER (RECESSED TYPE)



LDD-V100

DOOR ACCESSORIES

LAPCON DOOR DAMPERS (RECESSED TYPE)



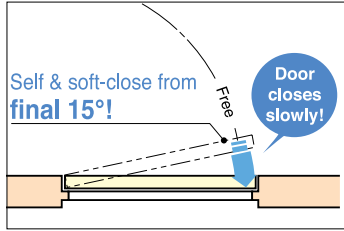
LDD-V100-NI-L shown.

- Door damper unit for interior, swinging doors.
- Grips door at final 15° and softly, self-closes doors more gently compared to other door closers, putting less stress on the hinges.
- Heavy Duty: Holds up to 220 lbs doors (100 kg).
- "Invisible" design minimizes visibility of the hardware.
- Recommended Door Specifications:
 Thickness: minimum 40 mm~60 mm (1-9/16"~2-3/8")
 Width: maximum 900 mm (35-7/16")
 Weight: 40~100 kg (88~220 lbs)
- Can be adjusted for door weight after installation. Counterplate position can be easily adjusted by removing cover and turning micro-adjustment screws.
- Can be used with HES3D-E190 and HES3D-160.
- Includes screws and paper template for installation.



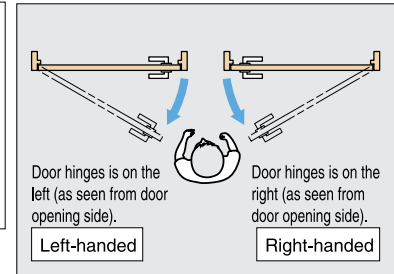
Counter plate cover (Nickel/Dark brown)

[Door Movement]

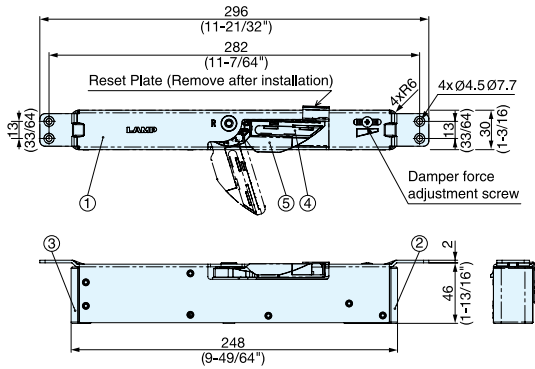


Right-handed type shown.
Left-handed type is symmetrical.

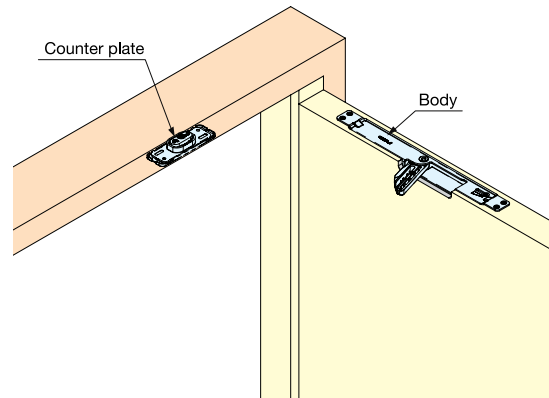
[Door Hinge Side]



[Body]

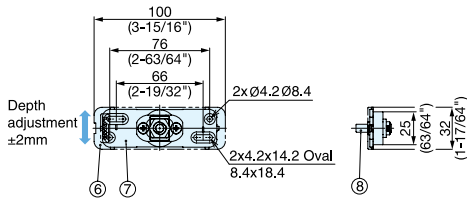
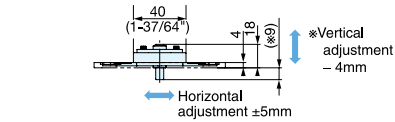


□ Below drawing shows right-handed type. Left-handed type is symmetrical.



Installation

[Counter Plate]



No.	Part Name	Material	Finish/Color
①	Case	Steel (SPCC)	Nickel
②	Damper Base	POM	Grey
③	Spring Base	POM	Grey
④	Arm Cover	POM	Grey
⑤	Arm	Zinc Alloy (ZDC)	Nickel
⑥	Counter Plate Cover	ABS	Dark Brown/Nickel
⑦	Counter Plate Base	Zinc Alloy (ZDC)	-
⑧	Counter Plate Shaft	Steel (SUM)	Nickel

Item No.	Finish/Color	Type	Door Weight (kg)	Door Width (mm)	Door Thickness (mm)	Box (pc)	Carton (pcs)
LDD-V100-DBR-R	Dark Brown	Right	88 lbs~220 lbs (40~100 kg)	Max. 35-7/16" (900)	1-9/16"~2-3/8" (40~60 mm)	1	10
LDD-V100-DBR-L		Left					
LDD-V100-NI-R	Nickel	Right					
LDD-V100-NI-L		Left					