

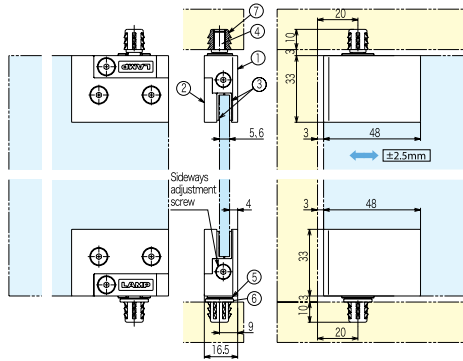
GLASS HINGE (INSET)

GS-GH5

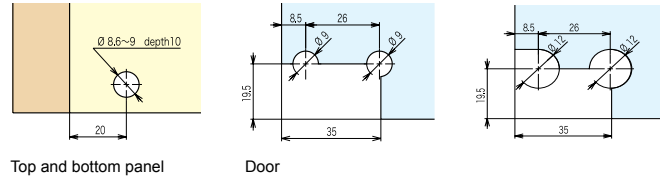


Chrome (CR)

- Hinge for inset glass door for glass showcase.
- Can be used together with glass bracket GS-GB5 (below) and lock GS-GL5.
- Temporary holding feature allows for easy installation of the door by one person.
- Sideways adjustment (± 2.5 mm) possible after installation of the door.
- Finishes: Chrome, Gold Plated
- Sold in pairs.



Installation drawings



Top and bottom panel

Door

No.	Part Name	Material	Finish
①	Body	Zinc Alloy	Chrome, 24K Gold Plated
②	Back Plate		
③	Washer	Chloroprene Rubber	Black
④	Axis	Stainless Steel	Plain
⑤	Plastic Washer	Polyamide	Black
⑥	Metal Plate	Stainless Steel	Plain
⑦	Insert	Zinc Alloy	

Item Name	Door Width(mm)	Door Height(mm)	Door Weight(kg)	Glass Thickness(mm)	Finish
GS-GH5-CR	Max. 17-3/4" (450)	Max. 23-5/8" (600)	11 lbs (5) / 2 pcs	Min. 3/16~1/4" (5-6)	Chrome, Gold Plated
GS-GH5-GP					

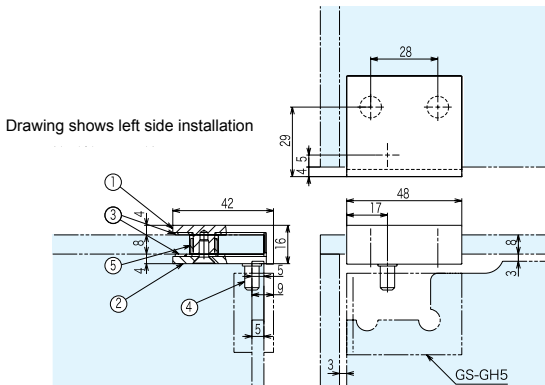
GLASS BRACKET

GS-GB5

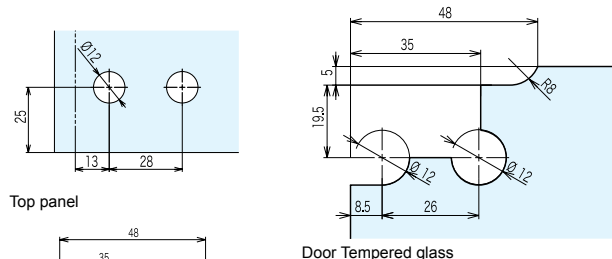


Chrome (CR)

- Can be used together with glass hinge GS-GH5 (above) and lock GS-GL5.



Installation drawings



Top panel

Door Tempered glass

Door

No.	Part Name	Material	Finish
①	Body	Zinc Alloy	Chrome, 24K Gold Plated
②	Back Plate	304 Stainless Steel	
③	Washer	Chloroprene Rubber	Black
④	Axis	Stainless Steel	Plain
⑤	Tube	Polyvinyl Chloride	Clear

Item Name	Type	Glass Thickness(mm)	Finish
GS-GB5-R-CR	Right	15/16" (8)	Chrome
GS-GB5-L-CR	Left		
GS-GB5-R-GP	Right		24K Gold Plated
GS-GB5-L-GP	Left		