

CONCEALED HINGE (9mm OVERLAY)



304B-46/9, C46/9



■ Door edge to bore edge distance (C) and Overlay distance (B) Table 1.

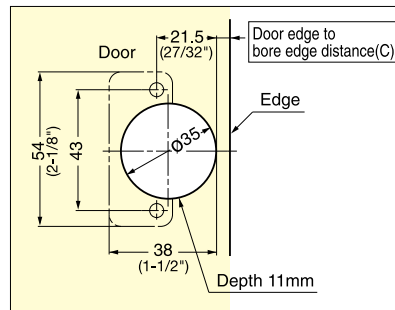
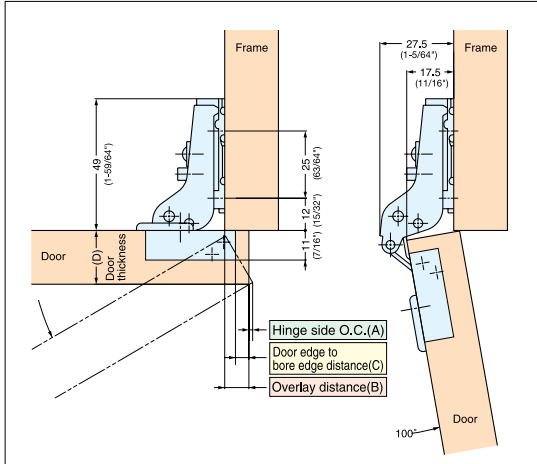
| | | | |
|-------------------------------------|---|---|---|
| Door edge to bore edge distance (C) | 3 | 4 | 5 |
| Overlay distance (B) | 7 | 8 | 9 |

■ Hinge side opening clearance chart Table 2.

| Door thickness (D) | Door edge to bore edge distance (C) | | |
|--------------------|-------------------------------------|-----|-----|
| | 3 | 4 | 5 |
| 15 | 0.5 | 0.5 | 0.5 |
| 16 | 0.7 | 0.7 | 0.7 |
| 17 | 0.8 | 0.8 | 0.8 |
| 18 | 1.0 | 1.0 | 1.0 |
| 19 | 1.2 | 1.2 | 1.2 |
| 20 | 1.4 | 1.4 | 1.4 |

Hinge side O.C. (A)

*Mounting Plate sold separately. See P.297



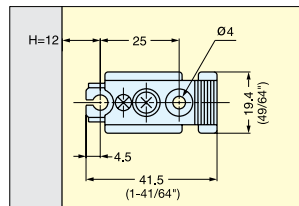
Bore Dimensions

| Item No. | Type | Weight (g) | Carton (pcs) | Material | Finish |
|------------|---------------|------------|--------------|---------------------|----------|
| 304B-46/9 | Free Swinging | 60 | 200 | 304 Stainless Steel | Polished |
| 304B-C46/9 | Self-Closing | | | | |

MOUNTING PLATE FOR 304B SERIES HINGES



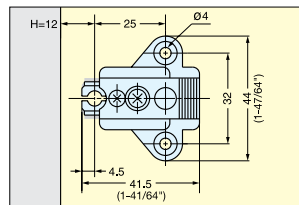
304B-P3A



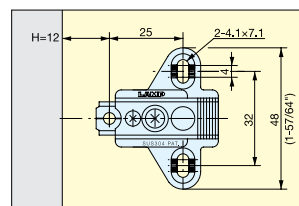
• Mounting plate for 304B hinges.



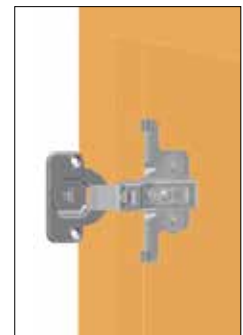
304B-P4A/32



304B-P4A/32-3W



Installation



Face Frame Bracket for 304B-P4A/32 and 304B-P4A/32-3W. See P.344 (Sold separately)

| Item No. | Weight (g) | Carton (pcs) | Material | Finish |
|----------------|------------|--------------|---------------------|----------|
| 304B-P3A | 40 | 400 | 304 Stainless Steel | Polished |
| 304B-P4A/32 | | | | |
| 304B-P4A/32-3W | | | | |