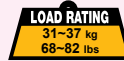


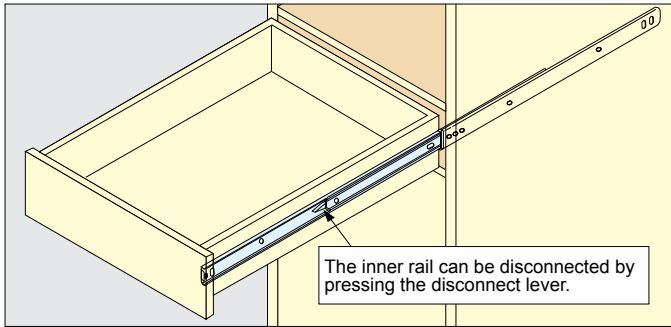
# FULL EXTENSION SOFT CLOSE SLIDE



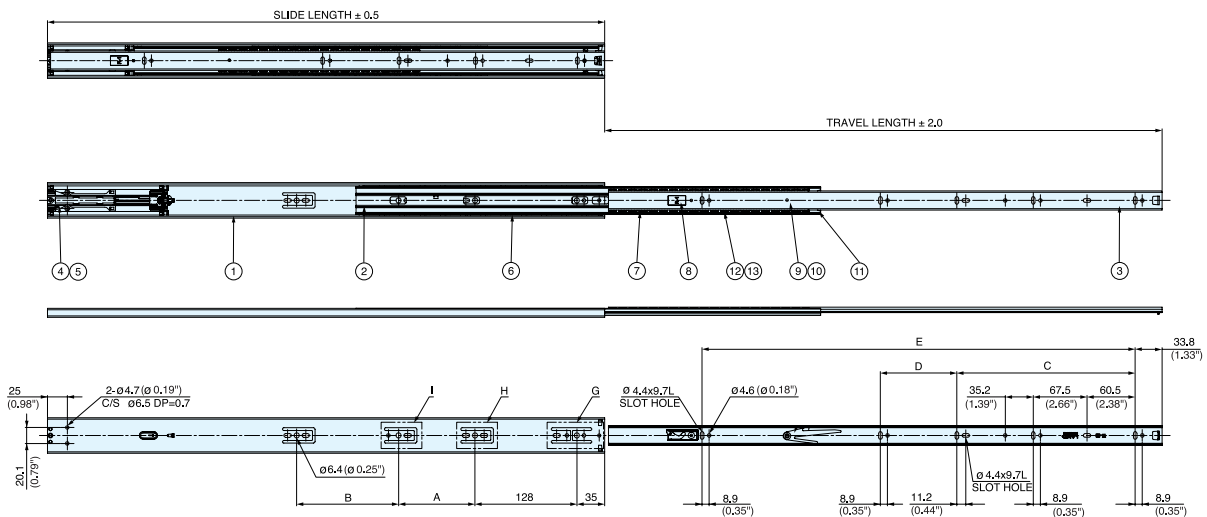
# ESR-SC4513

DRAWER SLIDES

FULL EXTENSION SOFT CLOSE SLIDES

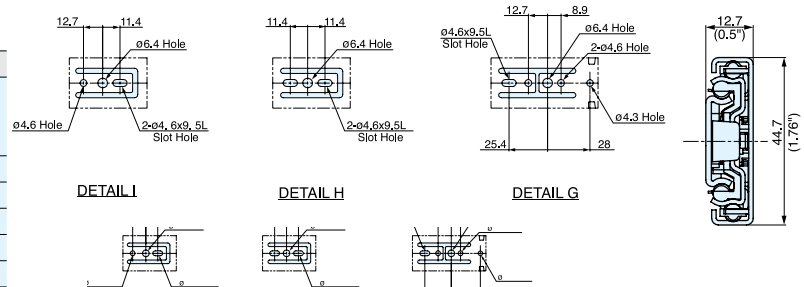


- Soft close feature for smooth, silent movement.
- Full extension.
- Front disconnect.
- Positive stop.
- Hold-in detent 700 g-f (1.5 lb) max.
- Handed: specific left and right hand mounting.
- Sold in pairs.
- Inner member clearance provided for screws 8 mm × 2 mm HT.
- Outer member clearance provided for screws 8 mm × 2 mm HT.
- Mount with M4 or #8 Binding, Pan, or Truss head screws.



25.4 mm=1"

Part Name	Material
Outer Member	304 Stainless Steel
Middle Member	
Inner Member	
Damper S/C Assy	304 Stainless Steel/POM / Nylon 66
Rivet #1	304 Stainless Steel
Retainer	Polypropylene
Ball Case	304 Stainless Steel
Hook Block	Nylon 66
Rivet #2	304 Stainless Steel
Disconnecter	Nylon 66
Stopper (Guide)	Nylon 6
Balls	304 Stainless Steel
Lubricant	H1 Grade



\* Only on ESR-SC4513-18

Item No.	Slide Length	Travel Length	A	B	C	D	E	Load Rating (kg/pair)	Weight (g)	Box (Pair)	
ESR-SC4513-16	400 ( 15-3/4" )	400 ( 15-3/4" )	-	-	-	-	-	37 (82 lbs)	996	10	
ESR-SC4513-18	450 ( 17-23/32" )	450 ( 17-23/32" )	96	-	212.8	-	-	36 (79 lbs)	1153		
ESR-SC4513-20	500 ( 19-11/16" )	500 ( 19-11/16" )		-	-	-	339	35 (77 lbs)	1303		
ESR-SC4513-22	550 ( 21-21/32" )	550 ( 21-21/32" )		-	-	-	384	34 (75 lbs)	1472		
ESR-SC4513-24	600 ( 23-5/8" )	600 ( 23-5/8" )		128	224.0	96	64	416	33 (73 lbs)		1623
ESR-SC4513-26	650 ( 25-19/32" )	650 ( 25-19/32" )					496	32 (70 lbs)	1779		
ESR-SC4513-28	700 ( 27-9/16" )	700 ( 27-9/16" )					544	31 (68 lbs)	1940		