

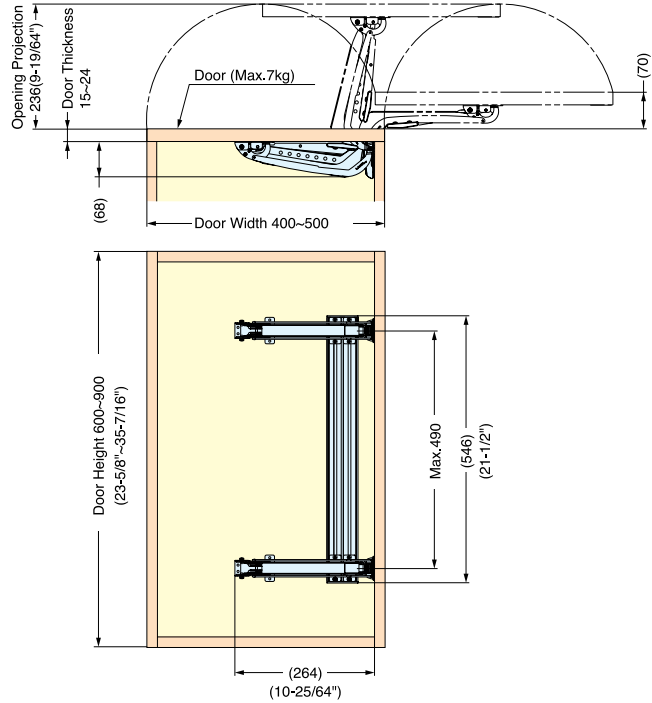
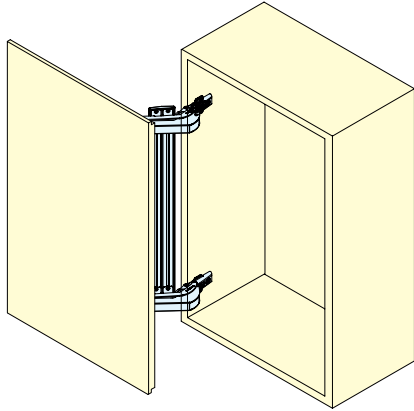
# LATERAL OPENING DOOR SYSTEM

# LIN-X450

LATERAL OPEN CABINET HARDWARE

LATERAL OPENING DOOR SYSTEM LIN-X HINGES

## Standard Kit



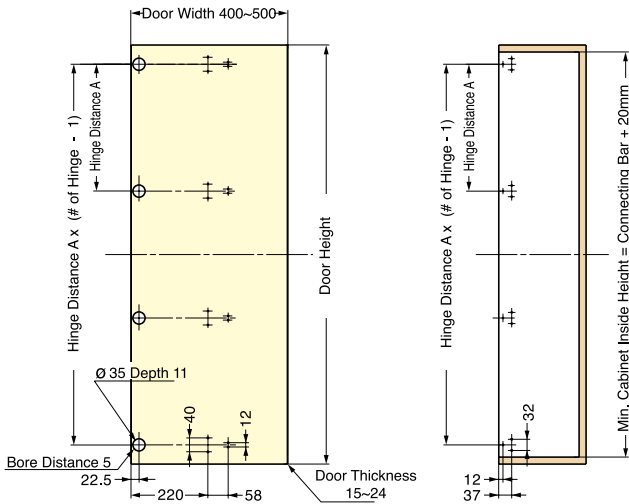
Item No.	Overlay	Material	Finish
LIN-X450	19 mm (3/4")	Steel/Aluminum	Nickel/Anodized
LIN-X450+5	14 mm (35/64")		

Door Width	400~500 mm (15-3/4"~19-11/16")
Door Height	600~900 mm (23-5/8"~35-7/16")
Door Thickness	15~24 mm (5/8"~15/16")
Door Weight	Max. 7 kg (15.4 lbs) / Door

\*Can be used on heavier / taller doors by adding hinge arms.  
Please see below for details.

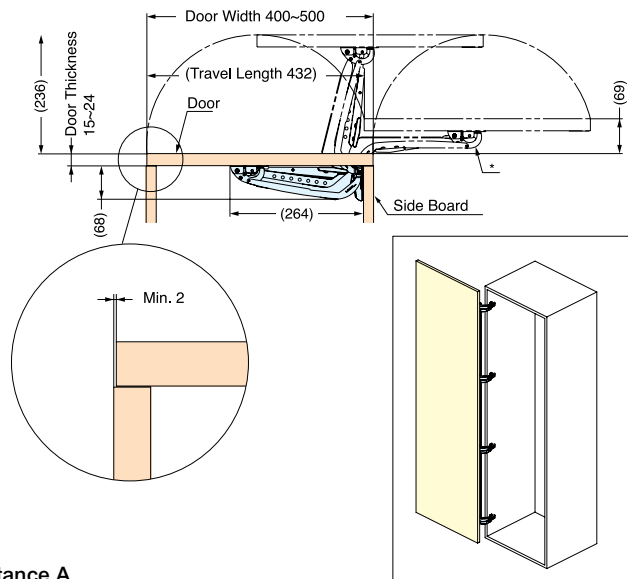
## Individual Parts for Tall / Heavy Door

### Door Preparation



Hinge in middle should be positioned at or equally distributed from center of door.

### Cabinet Preparation



### Hinge Distance A

Door Width	400~500 mm (15-3/4"~19-11/16")
Door Height	600~2400 mm (23-5/8"~94-1/2")
Door Thickness	15~24 mm (5/8"~15/16")
Door Weight	Max. 17 kg (37.4 lbs)

# of Hinges	Length of Connecting Bar (mm)					
	540	840	1140	1440	1740	2040
2 pcs	490.0	790.0	1090.0	-	-	-
3 pcs	245.0	395.0	545.0	695.0	845.0	-
4 pcs	-	263.3	363.3	463.3	563.3	663.3
5 pcs	-	-	272.5	347.5	422.5	497.5

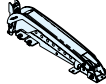
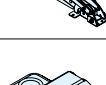
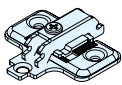
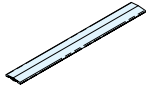
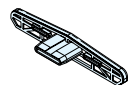
## Individual Parts - Ordering Chart

### Ordering Info

Use corresponding letter in below table, and see "Parts Breakdown Table" for parts to be ordered.

Door Height	Door Weight				Connecting Bar / Cover Cap
	~15.5 lbs (~7.0 kg)	15.6~23.0 lbs (7.1~10.5 kg)	23.1~31 lbs (10.6~14.0 kg)	31.1~37.4 lbs (14.1~17.0 kg)	
23-5/8"~35-7/16" (600~900 mm)	LIN-X450 Standard Set Connecting Bar & Cover included	B			LIN-X450-L540 1 pc LIN-X450C 2 pcs
35-7/16"~47-1/4" (901~1200 mm)	A	B	C		LIN-X450-L840 1 pc LIN-X450C 2 pcs
47-1/4"~59-3/64" (1201~1500 mm)	A	B	C	D	LIN-X450-L1140 1 pc LIN-X450C 2 pcs
59-3/64"~70-7/8" (1501~1800 mm)	B	B	C	D	LIN-X450-L1440 1 pc LIN-X450C 2 pcs
70-7/8"~82-11/16" (1801~2100 mm)	B	B	C	D	LIN-X450-L1740 1 pc LIN-X450C 2 pcs
82-11/16"~94-1/2" (2101~2400 mm)	C	C	C	D	LIN-X450-L2040 1 pc LIN-X450C 2 pcs

### Parts Breakdown Table

Item Number	Description		Qty Required			
			A	B	C	D
LIN-X450ACD	Single Arm ( with Damper )		2	3	3	3
LIN-X450A	Single Arm ( without Damper )		-	-	1	2
230-P4W-32T (for 19 mm overlay) or 230-P4W-32T+5 (for 14 mm overlay)	Mounting Plate *Requires 3 pcs of TAP3515NI Screw 3.5 x 15NI (Sold separately) per Mounting Plate		2	3	4	5
LIN-X450-L540	Connecting Bar L=540 mm		See table above			
LIN-X450-L840	Connecting Bar L=840 mm					
LIN-X450-L1140	Connecting Bar L=1140 mm					
LIN-X450-L1440	Connecting Bar L=1440 mm					
LIN-X450-L1740	Connecting Bar L=1740 mm					
LIN-X450-L2040	Connecting Bar L=2040 mm					
LIN-X450C	End Cap for Connecting Bar		2			