

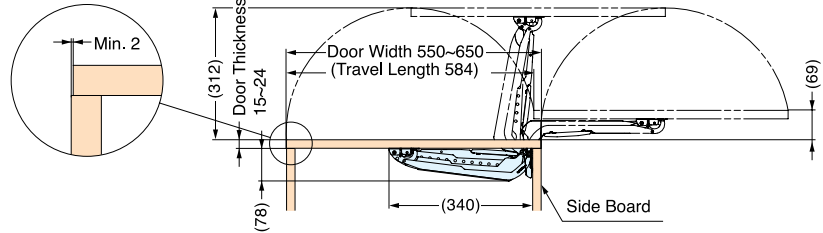
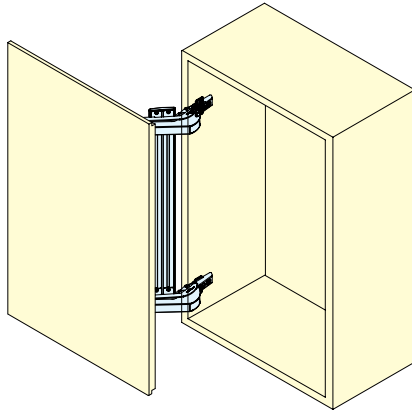
# LATERAL OPENING DOOR SYSTEM

# LIN-X600

LATERAL OPEN CABINET HARDWARE

LATERAL OPENING DOOR SYSTEM LIN-X HINGES

## Standard Kit



Please note handle position on other doors before installation, so that hinges will not interfere with the handles.

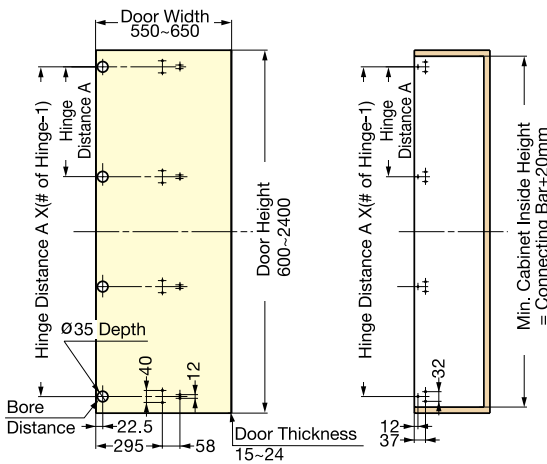
Item No.	Overlay	Material	Finish
LIN-X600	19 mm (3/4")	Steel, Aluminum	Nickel, Anodized

Included Parts: 2 each of Hinge Arms, Mounting Plates, Cup Covers, Bar End Caps and 1 Connecting Bar.

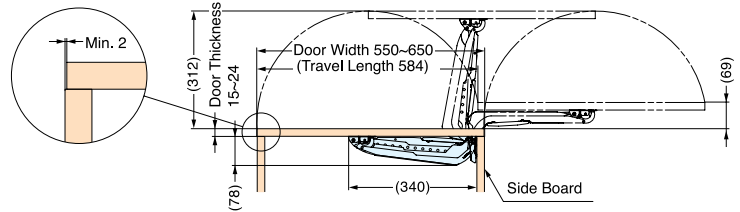
Door Width	550~650 mm (21-5/8"~25-9/16")
Door Height	600~900 mm (23-5/8"~35-7/16")
Door Thickness	15~24 mm (5/8"~15/16")
Door Weight	MAX. 9 kg (19.8 lbs) / Door

## Individual Parts for Tall / Heavy Door

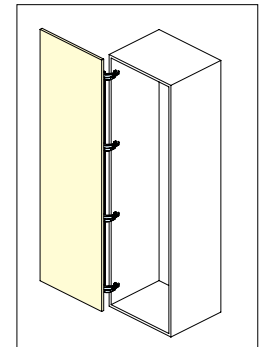
### Door Preparation



### Cabinet Preparation



Please note handle position on other doors before installation, so that hinges will not interfere with the handles.



### Hinge Distance A

Door Width	550~650 mm (21-5/8"~25-9/16")
Door Height	600~2400 mm (23-5/8"~94-1/2")
Door Thickness	15~24 mm (5/8"~15/16")
Door Weight	Max. 24 kg (52.8 lbs)

# of Hinges	Length of Connecting Bar (mm)					
	540	840	1140	1440	1740	2040
2 pcs	490.0	790.0	-	-	-	-
3 pcs	245.0	395.0	545.0	695.0	845.0	-
4 pcs	-	-	363.3	463.3	563.3	663.3
5 pcs	-	-	-	347.5	422.5	497.5

## Individual Parts - Ordering Chart

### Ordering Info

Use corresponding letter in below table, and see "Parts Breakdown Table" for parts to be ordered.

Door Height	Door Weight					Connecting Bar / Cover Cap
	~19.9 lbs (~9.0 kg)	20.0~26.5 lbs (9.1~12.0 kg)	26.6~35.4 lbs (12.1~16.0 kg)	35.5~44.2 lbs (16.1~20.0 kg)	44.3~52.8 lbs (20.1~24.0 kg)	
23-5/8"~35-7/16" (600~900 mm)	LIN-X600 Standard Set Connecting Bar & Cover included	B				LIN-X60-L540 1 pc LIN-X60C 2 pcs
35-7/16"~47-1/4" (901~1200 mm)		B	B			LIN-X60-L840 1 pc LIN-X60C 2 pcs
47-1/4"~59-3/64" (1201~1500 mm)		B	B	C		LIN-X60-L1140 1 pc LIN-X60C 2 pcs
59-3/64"~70-7/8" (1501~1800 mm)		B	B	C	D	LIN-X60-L1440 1 pc LIN-X60C 2 pcs
70-7/8"~82-11/16" (1801~2100 mm)		B	B	C	D	LIN-X60-L1740 1 pc LIN-X60C 2 pcs
82-11/16"~94-1/2" (2101~2400 mm)			C	C	D	LIN-X60-L2040 1 pc LIN-X60C 2 pcs

### Parts Breakdown Table

Item Number	Description	Image	Qty Required			
			A	B	C	D
LIN-X600ACD	Single Arm ( with Damper )		2	3	3	3
LIN-X600A	Single Arm ( without Damper )		-	-	1	2
230-P4W-32T (for 19 mm overlay)	Mounting Plate *Requires 3 pcs of TAP3515NI Screw 3.5 x 15NI (Sold separately) per Mounting Plate		2	3	4	5
LIN-X60-L540	Connecting Bar L=540 mm		See table above			
LIN-X60-L840	Connecting Bar L=840 mm					
LIN-X60-L1140	Connecting Bar L=1140 mm					
LIN-X60-L1440	Connecting Bar L=1440 mm					
LIN-X60-L1740	Connecting Bar L=1740 mm					
LIN-X60-L2040	Connecting Bar L=2040 mm					
LIN-X60C	End Cap for Connecting Bar		2			