



DOOR
SYSTEMS

DIVISION 8

Architectural Hardware Selection



Sugatsune Premium Door Hardware Selection.

	SLIDING DOOR SYSTEMS	3-26
	LATERAL OPENING SYSTEMS	27-28
	HINGES	29-38
	HANDLES & KNOBS	39-52
	CATCHES & LATCHES	53-58
	DOOR ACCESSORIES	59-62





in AMERICA

It is often said that 40 is the new 30, but here at Sugatsune America, 40 years of quality service in the United States feels just right! By now, you know that we take convenience and satisfaction seriously and we look forward to continuing to serve this industry for many years to come.

As the first overseas subsidiary of Sugatsune Kogyo Company, Ltd, based in Japan for more than 90 years, we have continued to expand our line-up of architectural, industrial and specialty hardware.

Our product lines include Sugatsune's proprietary soft motion Lapcon hardware, which you'll see throughout this brochure, complemented by our hinges, handles, catches, latches and other unique accessories.

As we look back at two very challenging years, not only for our industry but for our communities everywhere, we are grateful to our customers not only for their loyalty, but also for challenging us to develop new functional and decorative hardware to meet their application needs. Our commitment to innovation is matched by our commitment to providing unique, high quality products and customer service.

What to look for!

THE NEW MFU1200 FLUSH SLIDING DOOR SYSTEM

A hit at this year's Kitchen & Bath Show (KBIS 2022) This system combines the latest in soft-close technology and smooth movement achieving a truly flush entrance. **Read more pg. 4.**

OUR NEW CONCEALED HINGE FOR CLADDED DOORS, THE HES3D-W190

This 3-way adjustable concealed hinge allows for 10 mm of cladding in addition to being UL® Listed with 3 hour fire rating. **Read more pg. 32.**

OUR NEW ML-ZN80 PUSH-TO-OPEN DOOR LATCH

This small but mighty latch is able to push a door up to 275 lbs Easy to install and very durable and discrete. Available in two finishes.

Read more pg. 54.

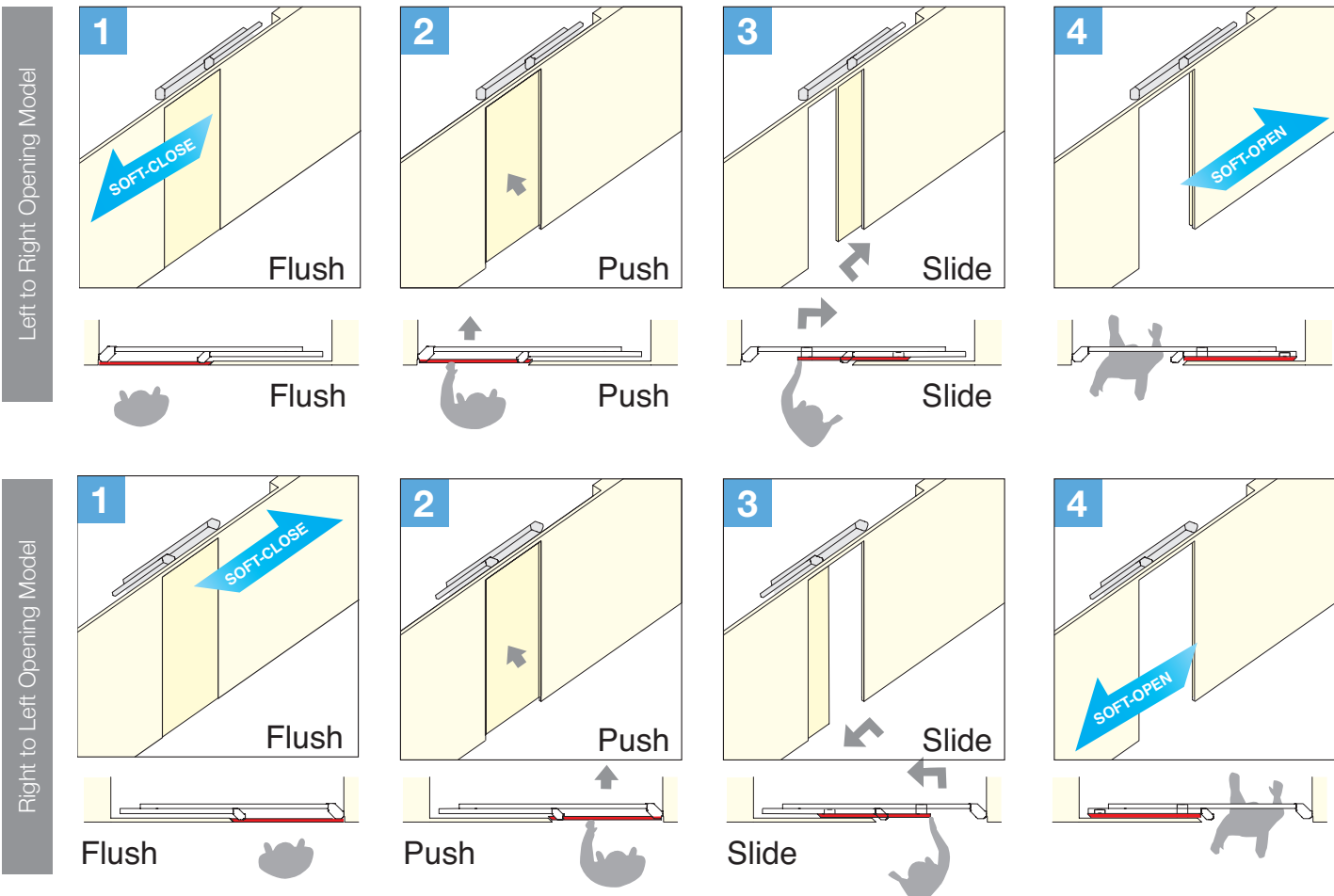
MonoFlat UNISON

	MFU1200-40	MFU1200-70
Door Width	31-1/2" ~ 47-1/4" (800~1200 mm)	
Door Height	Max. 106-5/16" (2700 mm)	
Door Thickness	1-3/16" ~ 1-9/16" (30-40 mm)	
Door Weight	44 ~ 88 lbs (20 ~ 40 kg)	88 ~ 154 lbs (40 ~ 70 kg)
Adjustability	Depth: ±3.5 mm (1/8")	
	Horizontal: ±4 mm (3/16")	
	Vertical: ±4 mm (3/16")	

- Designed to CLOSE FLUSH against surrounding walls, providing sleek appearance.
- UNIQUE MOVEMENT: Recesses in, and then slides sideways in a smooth continuous motion.
- CLEAN APPEARANCE: No floor tracks required on MFU-System.
- Excellent performance, reliable and fully adjustable.
- Features two-way damper to avoid slamming during opening or closing.
- DURABILITY: High durability, passed 100,000 open/close cycle test (private).



Item No.	Description	Door Weight
MFU1200-40-L (Light duty Left)	Left to Right Opening	44 ~ 88 lbs (20 ~ 40 kg)
MFU1200-40-R (Light duty Right)	Right to Left Opening	
MFU1200-70-L (Heavy duty Left)	Left to Right Opening	88 ~ 154 lbs (40 ~ 70 kg)
MFU1200-70-R (Heavy duty Right)	Right to Left Opening	



* The door cannot be opened from the inside without a handle (not included).



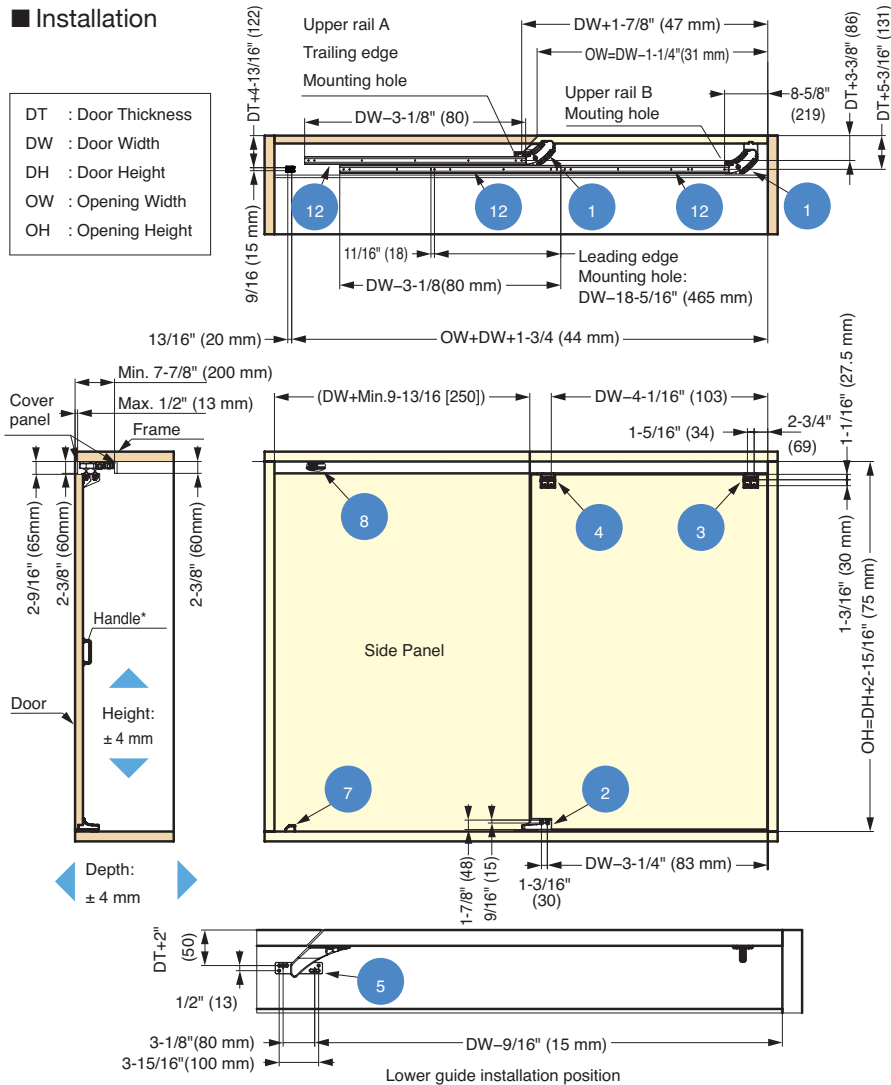
Open View



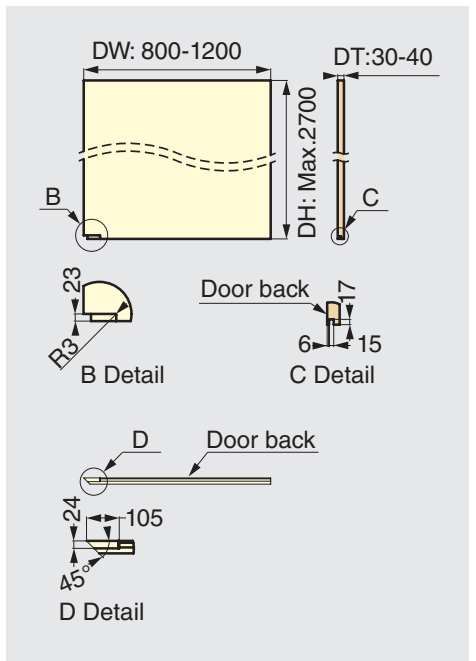
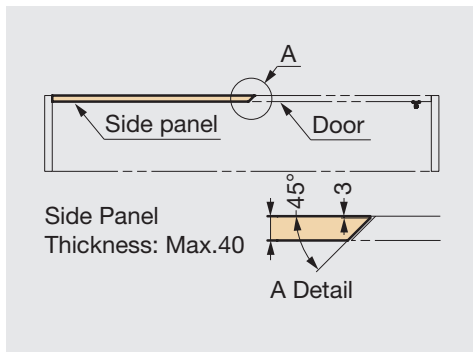
Closed View

■ Installation

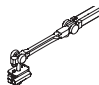
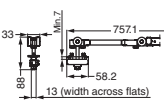

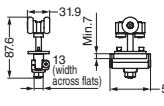
- DT : Door Thickness
- DW : Door Width
- DH : Door Height
- OW : Opening Width
- OH : Opening Height

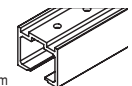
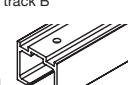
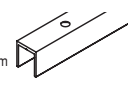


■ Chamfering

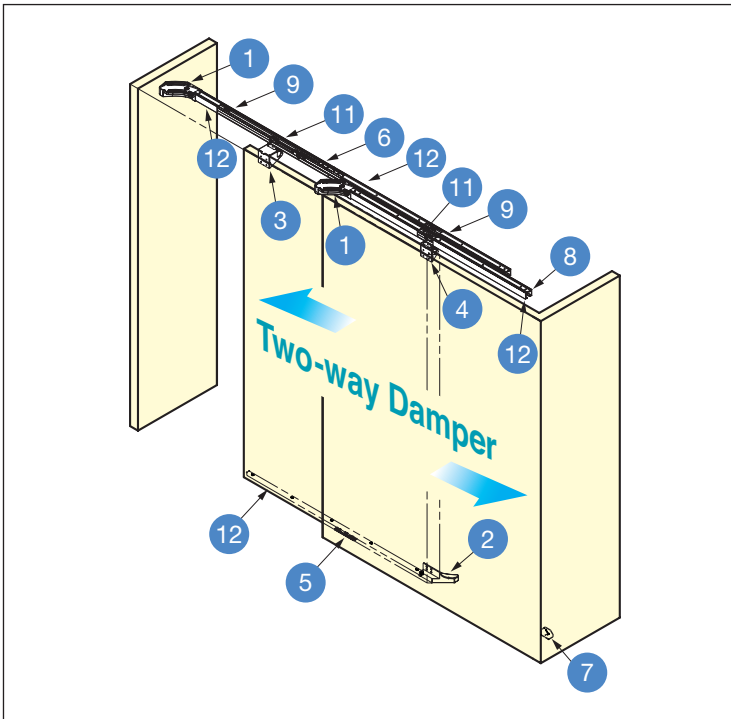


PART DETAILS

Self-Close Rollers		included <small>Item No. determined by door weight</small>		
No.	Type	Item No.	Part Name	Description
11	Door Weight 44-88 lbs (20-40 kg)	MFU1200-40DSC-BL	Soft closer (leading edge)  1 pc	<ul style="list-style-type: none"> Material: Steel/POM Finish: Mirror/Black 
	Door Weight 88-154 lbs (40-70 kg)	MFU1200-70DSC-BL	Door roller (trailing edge)  1 pc	<ul style="list-style-type: none"> Material: Steel Finish: Mirror/Black 

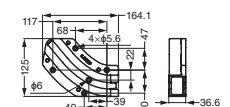
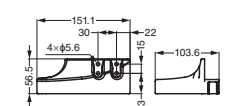
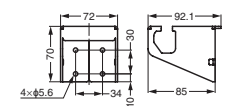
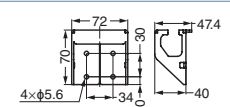
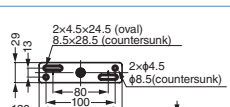
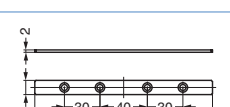
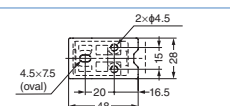
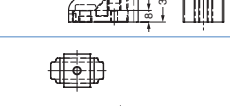
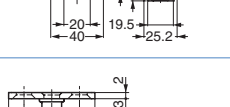
Tracks		included			
No.	Item No.	Part Name	Drawing	Description	
12	MFU1200-RS-BL	Upper track A*		<ul style="list-style-type: none"> Material: Aluminium Alloy Finish: Silver Anodized + Coating/Clear 	
		1120mm 2 pcs			
		Upper track B			<ul style="list-style-type: none"> Material: Aluminium Alloy Finish: Silver Anodized + Coating/Clear
		850mm 1 pc			
Bottom guide channel		<ul style="list-style-type: none"> Material: Aluminium Alloy Finish: Silver Anodized + Coating/Clear 			
1100mm 1 pc					

* Cut upper track A and bottom track according to the door size.



Item Name	Description
MFU1200-L-BL	Left to Right Opening
MFU1200-R-BL	Right to Left Opening

Detail

No.	Qty	Part Name	Drawing (L type) in mm	Description
1	2	Guiding track (top)		<ul style="list-style-type: none"> Material: Aluminium Alloy Finish: Black Enamel
2	1	Guiding track (bottom)		<ul style="list-style-type: none"> Material: Aluminium Alloy Finish: Black Enamel
3	1	Bracket (leading edge)		<ul style="list-style-type: none"> Material: Steel Finish: Black Enamel
4	1	Bracket (trailing edge)		<ul style="list-style-type: none"> Material: Steel Finish: Black Enamel
5	1	Bottom guide		<ul style="list-style-type: none"> Material: Steel / POM Finish/Color: Mirror/Black
6	1	Connecting plate		<ul style="list-style-type: none"> Material: Steel Finish: Mirror/Black
7	1	Door stopper (floor)		<ul style="list-style-type: none"> Material: Zinc Alloy Finish/Color: Chromate Treatment, Grey
8	1	Bumper block		<ul style="list-style-type: none"> Material: Eteel/Elastomer Finish/Color: Chromate Treatment, Grey
9	2	Trigger		<ul style="list-style-type: none"> Material: steel Finish: Chromate Treatment
10	1	Jig	Can be ordered separately	<ul style="list-style-type: none"> Item Name: FD80-TRJ Material: POM Color: green

RECESSED MOUNT POCKET DOOR SYSTEM

FD80DHCHP-PD

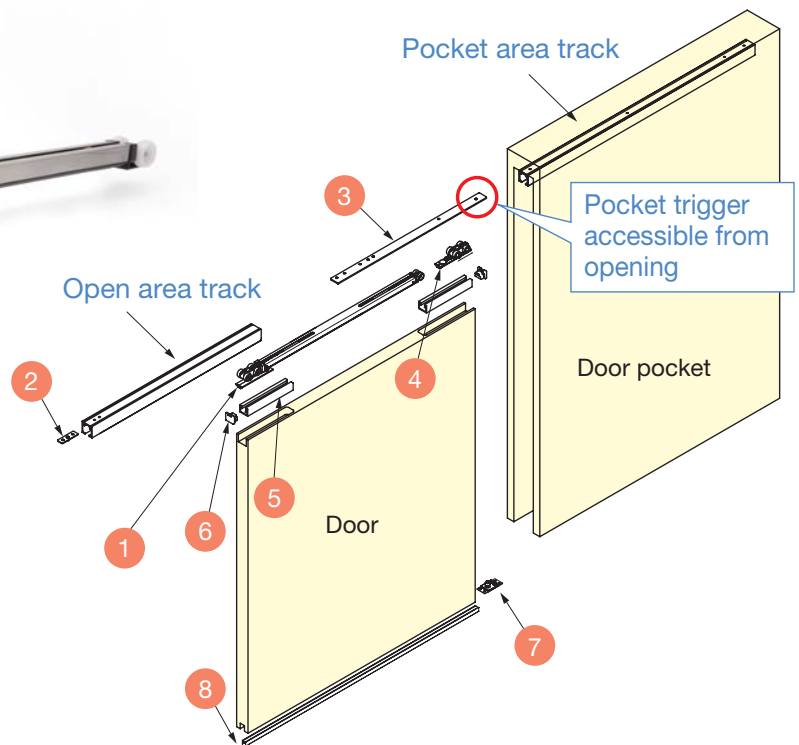


	FD80DHCHP-PD Recessed Mount
Roller	Top Recessed on Door
Track Mounting	Ceiling
Door Weight	Min. 77 lbs (35 kg)
	Max. 176 lbs (80 kg)
Door Thickness	Recessed: 1-5/16" (34 mm)
Door Width	If less than 98-7/16" (2500 mm) 30-7/8" ~ 59-1/16" (784 ~ 1500 mm)
	If greater than 98-7/16" (2500 mm) 33-7/16" ~ 59-1/16" (850 ~ 1500 mm)
Door Height	Max. 106-5/16" (2700 mm)

- Load capacity: 176 lbs (80 kg).
- Use with removable jamb/trim/casing.
- Easy installation and maintenance.
- Built-in soft-close and soft-open damper.
- Two-rail system, allows all components to be fixed or adjusted through the opening without breaking the pocket.
- Rollers are recessed mounted to top of door.
- High durability, passed 200,000 cycle test (private).
- For interior use only.

How to order:

1. Select track and track length
2. Choose hardware set



Parts Set (Per Door) Necessary Parts

Item Code	Item Name	Description
250-029-771	FD80DHCHP-PD	Recessed Roller Two-Way Soft Close

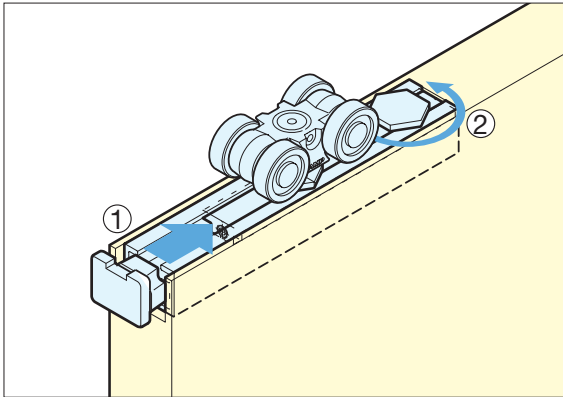
Parts Included

No.	Qty	Part Name	Dimensions	Description
1	1 pc	Recessed Mount Roller Two-Way Soft Close		<p>Item Name: FD80-WRH-DSC</p> <ul style="list-style-type: none"> Material: Zinc Alloy (ZDC) / Polyacetal (POM) Finish / Color: Nickel / Black <p>Remarks: Do not use the included trigger.</p>
2	1 pc	Front Trigger		<p>Item Name: FD80-TRGPF</p> <ul style="list-style-type: none"> Material: Stainless Steel (SUS304) Finish: Steel
3	1 pc	Pocket Trigger		<p>Item Name: FD80-TRGPB-MB</p> <ul style="list-style-type: none"> Material: Stainless Steel (SUS304) Finish: Plain
4	1 pc	Recessed Roller		<p>Item Name: FD80-WRH</p> <ul style="list-style-type: none"> Material: Zinc Alloy (ZDC) / Polyacetal (POM) Finish / Color: Nickel / Natural
5	2 pcs	Hanging Bracket (160 mm)		<p>Item Name: FD70B-HB160</p> <ul style="list-style-type: none"> Material: Aluminium Alloy Finish: Anodized Silver Screw: Pan Head Tapping Screw 5x40
6	2 pcs	End Cap		<p>Item Code: 250-121-142 Item Name: FD70B-EC-BL</p> <ul style="list-style-type: none"> Material: Elastomer (TPE) Color: Black
7	1 pc	Floor Guide		<p>Item Name: FD50-BGR18</p> <ul style="list-style-type: none"> Material: Stainless Steel (SUS430) / Polyacetal (POM) Finish / Color: Polished / Natural Screw: Raised Countersunk Head Tapping Screw 3.5x30
8	1 pc	Bottom Guide Rail (1500 mm)		<p>Item Name: FD30-HBRT1500SIL</p> <ul style="list-style-type: none"> Material: Aluminium Alloy Finish: Anodized Silver

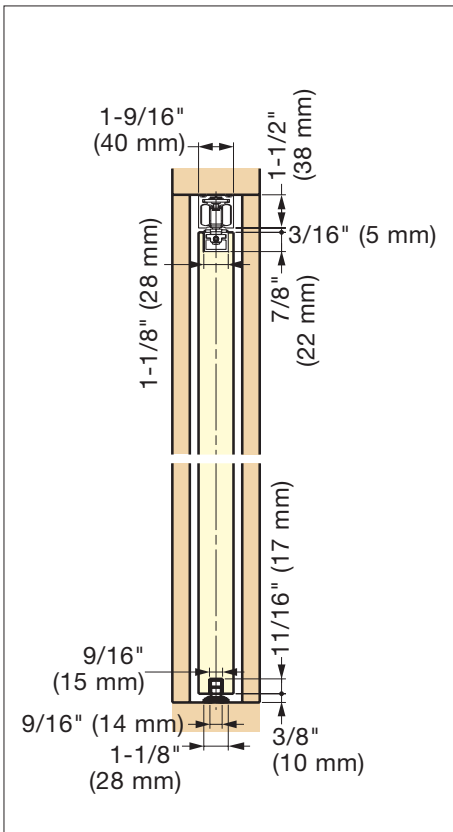
Upper Track Necessary Parts

No.	Length	Item Code	Part Name	Dimensions	Desc.
9	1260 mm	FD80-TRP1260-SL	Upper Track		<ul style="list-style-type: none"> Material: Aluminium Alloy Finish: Anodized Silver
10	2160 mm	FD80-TRP2160-SL			
11	2760 mm	FD80-TRP2760-SL			
12	3960 mm	FD80-TRP3960-SL			

Top Recessed Roller



Surface Track Top Recessed Roller



SURFACE MOUNT POCKET DOOR SYSTEM

FD80DHCMP-PD

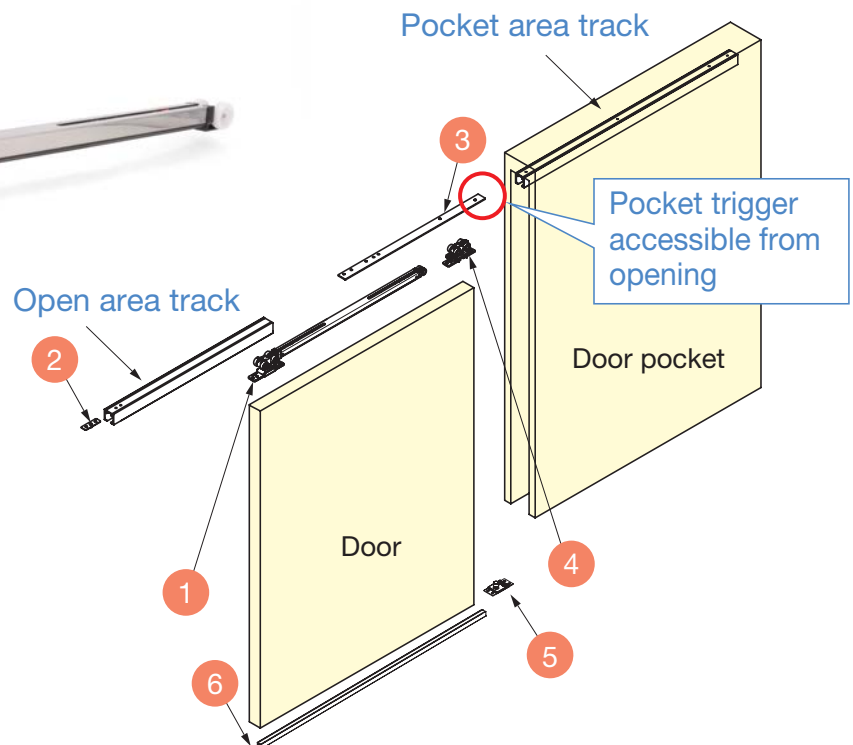


	FD80DHCMP-PD Recessed Mount
Roller	Top Surface on Door
Track Mounting	Ceiling
Door Weight	Min. 77 lbs (35 kg)
	Max. 176 lbs (80 kg)
Door Thickness	Surface: 1-3/16" (30 mm)
Door Width	If less than 98-7/16" (2500 mm) 30-7/8" ~ 59-1/16" (784 ~ 1500 mm)
	If greater than 98-7/16" (2500 mm) 33-7/16" ~ 59-1/16" (850 ~ 1500 mm)
Door Height	Max. 106-5/16" (2700 mm)

- Load capacity: 176 lbs (80 kg).
- Use with removable jamb/trim/casing.
- Easy installation and maintenance.
- Built-in soft-close and soft-open damper.
- Two-rail system, allows all components to be fixed or adjusted through the opening without breaking the pocket.
- Rollers are surface mounted to top of door.
- High durability, passed 200,000 cycle test (private).
- For interior use only.

■ How to order:

1. Select track and track length
2. Choose hardware set



Parts Set (Per Door) Necessary Parts

Item Code	Item Name	Description
250-029-722	FD80DHCMP-PD	Surface Mount Roller Two-Way Soft Close

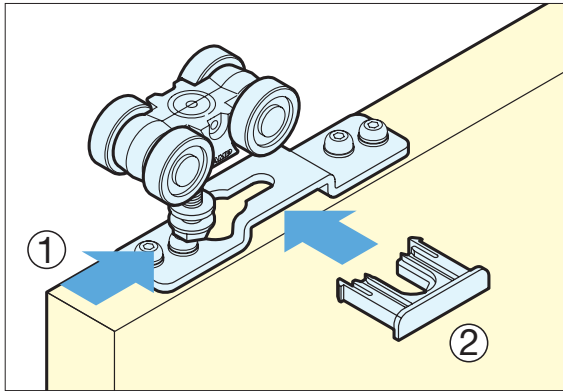
Parts Included

No.	Qty	Part Name	Dimensions	Description
1	1 pc	Surface Mount Roller Two-Way Soft Close		<p>Item Name: FD80-WRM-DSC</p> <ul style="list-style-type: none"> Material: Steel / Polyacetal (POM) Finish: Chromate / Black Screw: Pan Head Tapping Screw 4x45 <p>Remark: Do not use the included trigger.</p>
2	1 pc	Front Trigger		<p>Item Name: FD80-TRGPF</p> <ul style="list-style-type: none"> Material: Stainless Steel (SUS304) Finish: Plain
3	1 pc	Pocket Trigger		<p>Item Name: FD80-TRGPB-MB</p> <ul style="list-style-type: none"> Material: Stainless Steel (SUS304) Finish: Plain
4	1 pc	Surface Mount Roller		<p>Item Name: FD80-WRM</p> <ul style="list-style-type: none"> Material: Zinc Alloy (ZDC) / Polyacetal (POM) Finish: Nickel / Natural Screw: Pan Head Tapping Screw 4x45
5	1 pc	Floor Guide		<p>Item Name: FD50-BGR18</p> <ul style="list-style-type: none"> Material: Stainless Steel (SUS430) / Polyacetal (POM) Finish: Countersunk / Natural Screw: Pan Head Tapping Screw 4x45
6	1 pc	Bottom Guide Rail (1500 mm)		<p>Item Name: FD30-HBRT1500SIL</p> <ul style="list-style-type: none"> Material: Aluminium Alloy Finish: Anodized Silver

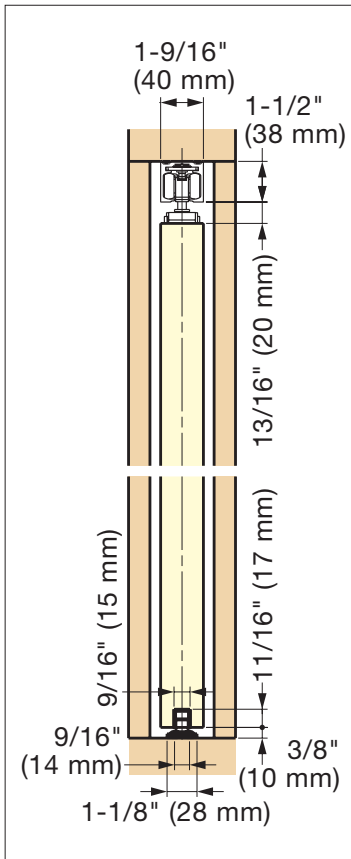
Upper Track Necessary Parts

No.	Length	Item Code	Part Name	Dimensions	Desc.
7	1260 mm	FD80-TRP1260-SL	Upper Track 		<ul style="list-style-type: none"> Material: Aluminium Alloy Finish: Anodized Silver
8	2160 mm	FD80-TRP2160-SL			
9	2760 mm	FD80-TRP2760-SL			
10	3960 mm	FD80-TRP3960-SL			

Top Surface Roller



Surface Track Top Recessed Roller



SURFACE MOUNT SLIDING DOOR HARDWARE

SDR-RA80-SM



Type	SDR-RA80-SM	
	Surface Mount Sliding Door	
Roller	Top Surfaced	
Track Mounting	Ceiling	Wall w/Continuous Bracket
Door Weight	Max. 200 lbs (90 kg)	
Door Thickness	Min. 1-1/8" (28 mm)	
Door Width	Two-Way Soft Close Min. 32-1/2" (825 mm) Standard Close Min. 23-5/8" (600 mm)	

- Load capacity: 200 lbs (90kg).
- Ceiling or barn door mount.
- Double rollers with ball bearings.
- Quiet precision movement with soft close feature.
- Vertical adjustment $\pm 1/16"$ (1 mm).
- Surface mounted door brackets.
- Successfully passed 100,000 cycles test (private).

Ordering Information

1. Track Options

Track Type	Length	Item No.	Description
Standard Aluminum Track	78-3/4" (2000 mm)	SDR-RA80-2000	
	118-1/8" (3000 mm)	SDR-RA80-3000	
False Ceiling Aluminum Track	78-3/4" (2000 mm)	SDR-RA80-TC-2000	

How to order:

1. Select track and track length
 - 1A. Select any optional parts for track
2. Choose hardware set

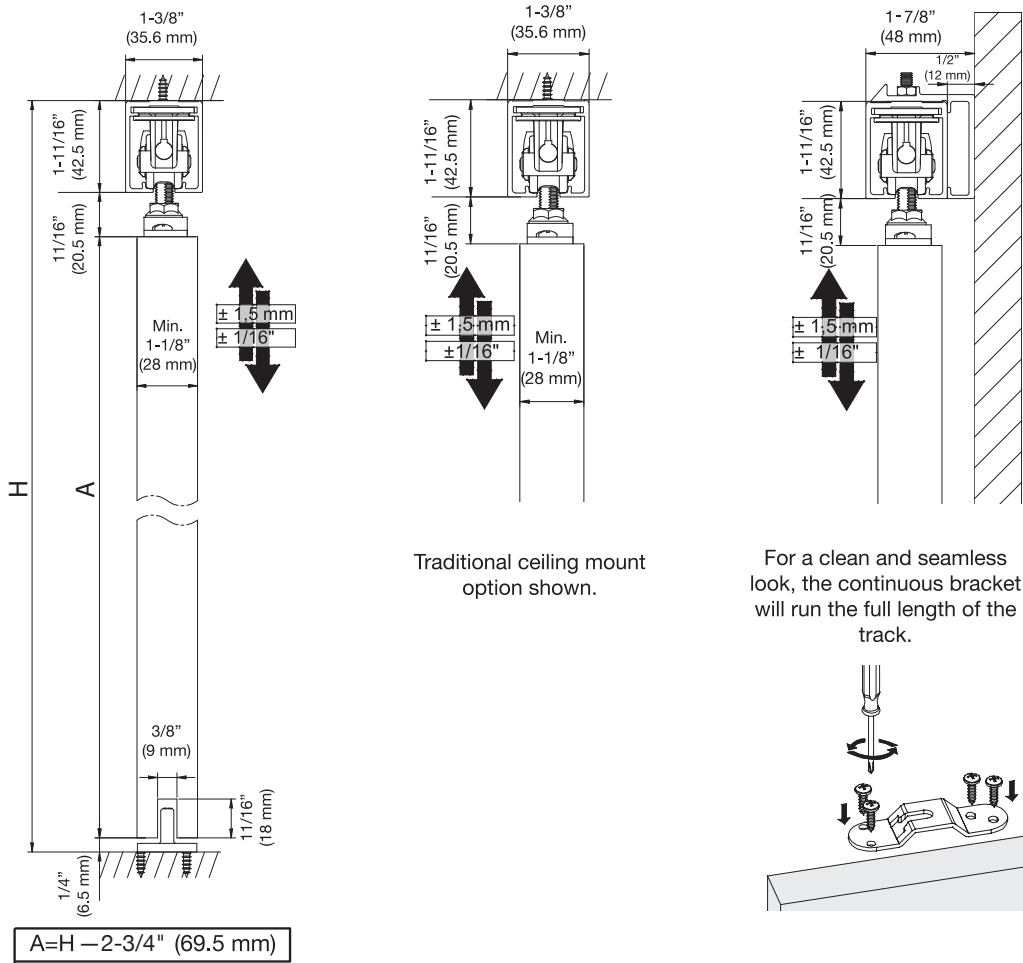
1A Optional Parts for Track

<p>SDR-RA80WL-2000 SDR-RA80WL-3000 Wall Mount Bracket</p>	<p>SDR-RA80-8083 End Cover for Track</p>	<p>SDR-RA80-8085 End Cover for Track & Wall Mount Bracket</p>	<p>SDR-A-4140 Bottom Guide Roller</p>	<p>SDR-A-4131 Bottom Guide Channel</p>
---	--	---	---	--

2. Hardware Set

Closing Feature	Item No.	Set Details
Dual Soft Close	SDR-RA80-SM-DSC	<p>(1) SDR-RA80-SM-KIT Surface Mount Brackets</p> <p>+</p> <p>(2) SDR-RA80-8006 Soft Close Rollers</p>
Standard Closing	SDR-RA80-SM-RR	<p>(1) SDR-RA80-SM-KIT Surface Mount Brackets</p> <p>+</p> <p>(2) SDR-RA80-8080 Standard Rollers</p>

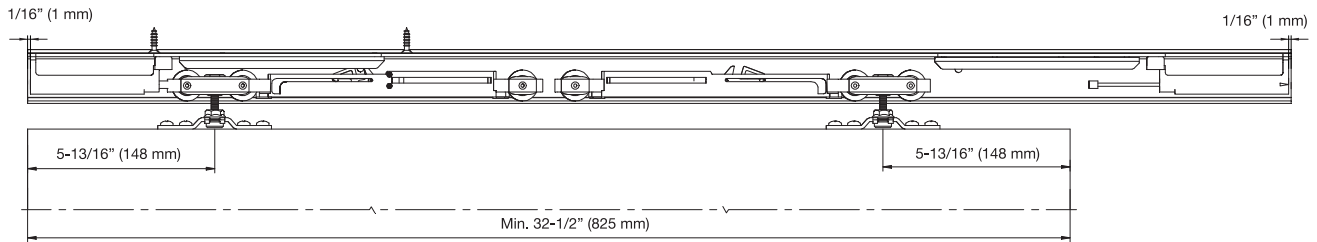
TRACK MOUNTING OPTIONS



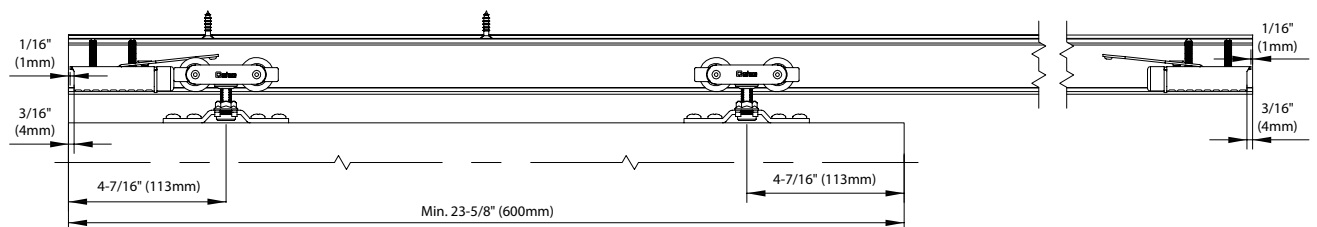
Track Details

Two-Way Soft Close

* Complete smooth and silent soft close motion in both directions



Standard Closing



RECESSED MOUNT SLIDING DOOR HARDWARE

SDR-RA80-RM


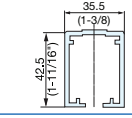


Type	SDR-RA80-RM	
	Recessed Mount Sliding Door	
Roller	Top Recessed	
Track Mounting	Ceiling	Wall w/Continuous Bracket
Door Weight	Max. 200 lbs (90 kg)	
Door Thickness	Min. 1-1/8" (28 mm)	
Door Width	Two-Way Soft Close Min. 33-7/16" (850 mm) Standard Close Min. 23-5/8" (600 mm)	

- Load Capacity: 200 lbs (90kg).
- Ceiling and Barn Door Mount, Recessed Mounted door brackets.
- Double rollers with ball bearings.
- Quiet precision movement with Soft Close Feature.
- Low profile minimum gap of 1/8" (3 mm).
- Vertical Adjustment $\pm 1/16"$ (1 mm).
- Recessed mounted door brackets.
- Successfully passed 100,000 cycles test (private).

Ordering Information





1. Track Options

Track Type	Length	Item No.	Description
Standard Aluminum Track	78-3/4" (2000 mm)	SDR-RA80-2000	 
	118-1/8" (3000 mm)	SDR-RA80-3000	
False Ceiling Aluminum Track	78-3/4" (2000 mm)	SDR-RA80-TC-2000	 

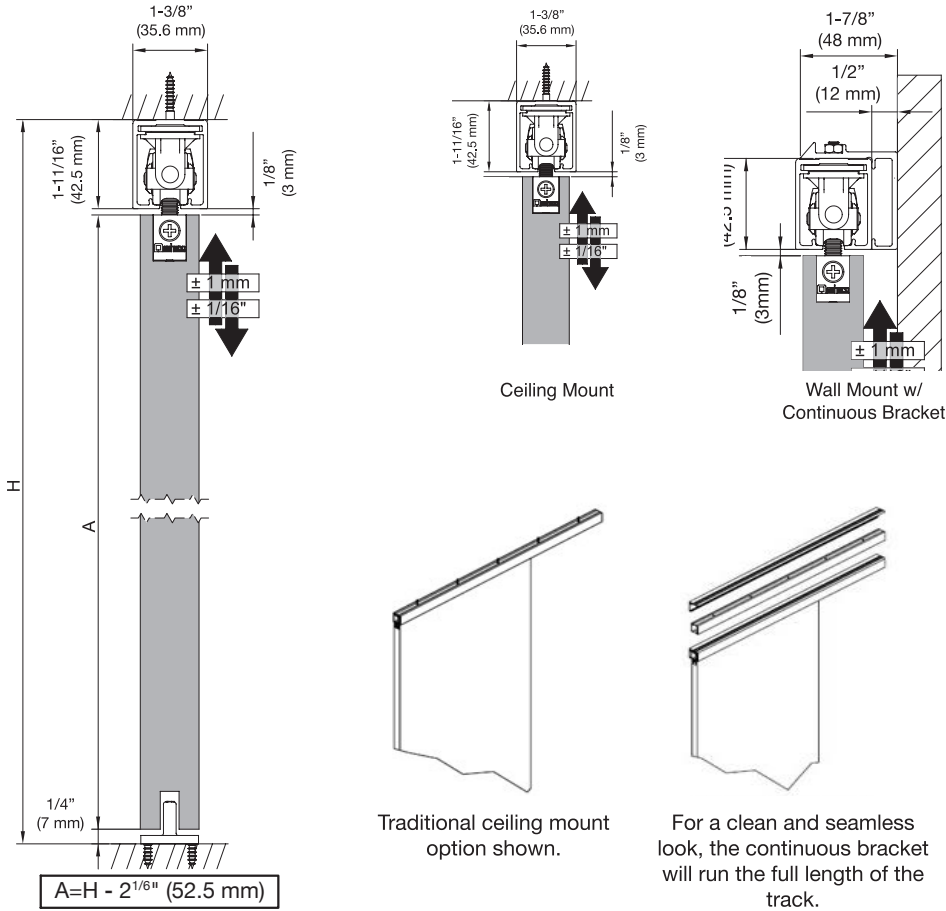
- How to order:
 1. Select track and track length
 - 1A. Select any optional parts for track
 2. Choose hardware set

1A Optional Parts for Track				
 <p>SDR-RA80WL-2000 SDR-RA80WL-3000 Wall Mount Bracket</p>	 <p>SDR-RA80-8083 End Cover for Track</p>	 <p>SDR-RA80-8085 End Cover for Track & Wall Mount Bracket</p>	 <p>SDR-A-4140 Bottom Guide Roller</p>	 <p>SDR-A-4131 Bottom Guide Channel</p>

2. Hardware Set

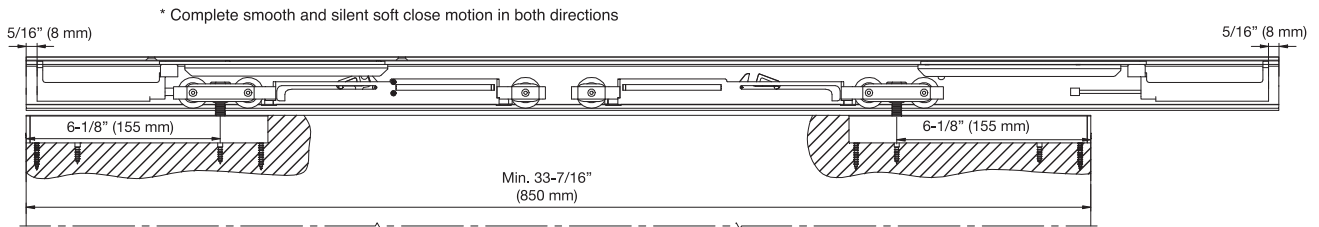
Closing Feature	Item No.	Set Details
Two-Way Soft Close	SDR-RA80-RM-DSC	 <p>(1) SDR-RA80-8084 Recessed Bracket</p> <p>+</p>  <p>(2) SDR-RA80-8006 Soft Close Rollers</p>
Standard Closing	SDR-RA80-RM-RR	 <p>(1) SDR-RA80-8084 Recessed Bracket</p> <p>+</p>  <p>(2) SDR-RA80-8080 Standard Rollers</p>

TRACK MOUNTING OPTIONS

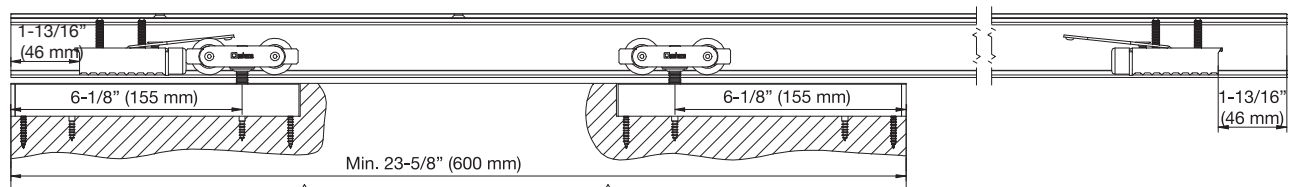


Track Details

Two-Way Soft Close



Standard Closing





Type	SDR-A125	
	Standard Sliding	
Roller	Top Recessed	Top Surface
Door Weight	Max. 275 lbs (125 kg)	
Door Thickness	Min. 1-3/8" (35 mm)	
Door Width	Min. 19-11/16" (500 mm)	

- Weight Capacity 275 lbs (125 kg).
- Ceiling mount.
- Recessed and Top Surface Mounted door brackets.
- Double rollers with ball bearings.
- Quiet precision movement.
- Low profile minimum gap of 1/8" (3 mm) Recess mount.
- Vertical Adjustment:
Recessed mount $\pm 1/16"$ (1 mm), Surface mount $\pm 1/8"$ (2.5 mm).

Ordering Information

1. Track Options

Track Type	Length	Item No.	Description
Standard Aluminum Track	118-1/8" (3000 mm)	SDR-A125-3000	
False Ceiling Aluminum Track	118-1/8" (3000 mm)	SDR-A125-12532	

- How to order:
 1. Select track and track length
 - 1A. Select any optional parts for track
 2. Choose hardware set

1A Optional Parts for Track

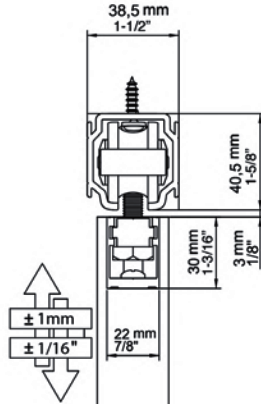
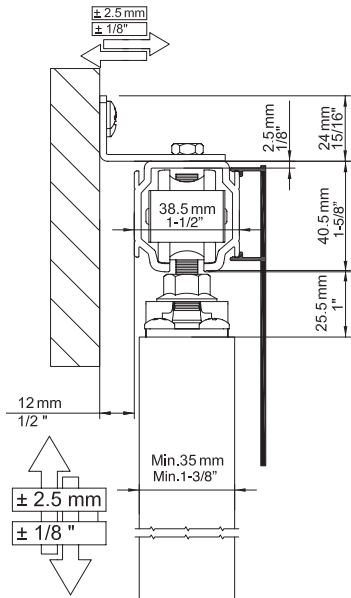
SDR-A125-10433 Clip on Fascia	SDR-A-6056 Clip on Bracket for Timber	SDR-A125-12557 End Caps for Track	SDR-A81-6961 Aluminum Separator
SDR-A-4131 Bottom Guide Channel	SDR-A-4140 Bottom Guide Roller	SDR-A300-30064 Short Bracket	

2. Hardware Set

Door Mount	Item No.	Set Details
Top Recessed	SDR-A125TR-PRT	Top Recessed Roller Set
Top Surface	SDR-A125TS-PRT	Top Surface Roller Set

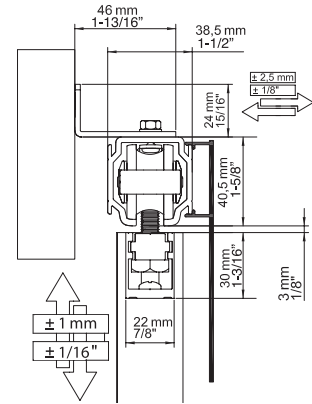
TRACK MOUNTING OPTIONS

Top Recessed (SDR-A125TR)



Ceiling Mount

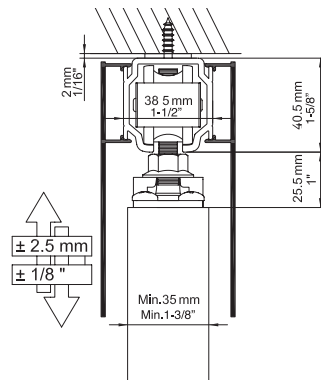
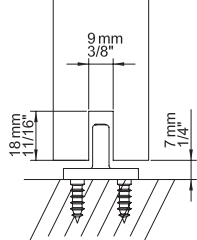
Traditional Ceiling mount option shown with recessed rollers.



Wall Mount w/ Short Bracket

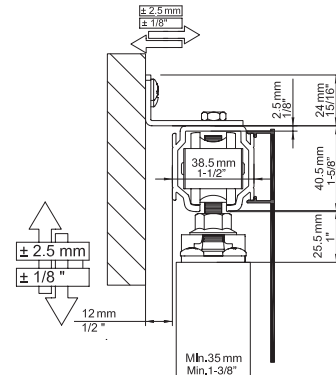
Top track short bracket for Barn Door style mounting that allows fast and simple installation.

Top Surface (SDR-A125TS)



Ceiling Mount

Traditional Ceiling mount option shown. Fascia can be mounted on both sides if needed

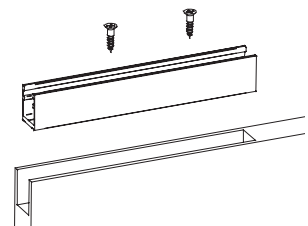
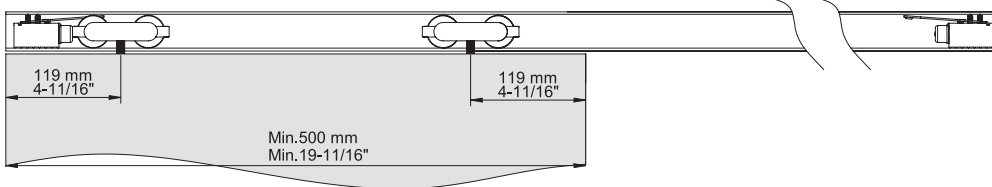


Wall Mount w/ Short Bracket

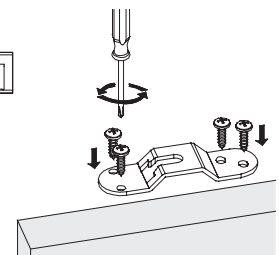
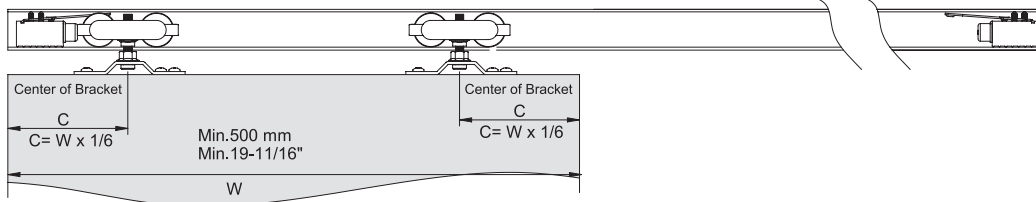
Top track short bracket for Barn Door style mounting that allows fast and simple installation.

Track Details

Top Recessed



Top Surface



SLIDING DOOR HARDWARE (Door Weight 660 lbs)

SDR-A300



Type	SDR-A300	
	Standard Sliding	
Roller	Top Recessed	Top Surfaced
Door Weight	Max. 660 lbs (300 kg)	
Door Thickness	Min. 1-3/8" (35 mm)	
Door Width	Min. 23-5/8" (600 mm)	

- Load Capacity: 660 lbs (300 kg) Heavy Duty Model.
- Ceiling and Barn Door Mount.
- Recessed and Top Surface Mounted door brackets.
- Double rollers with ball bearings.
- Quiet precision movement.
- Low profile minimum gap of 1/8" (3 mm) Recess Mount.
- Vertical Adjustment:
 - Recessed mount $\pm 1/4"$ (6 mm)
 - Surface mount $\pm 1/16"$ (2 mm)

Ordering Information

1. Track Options

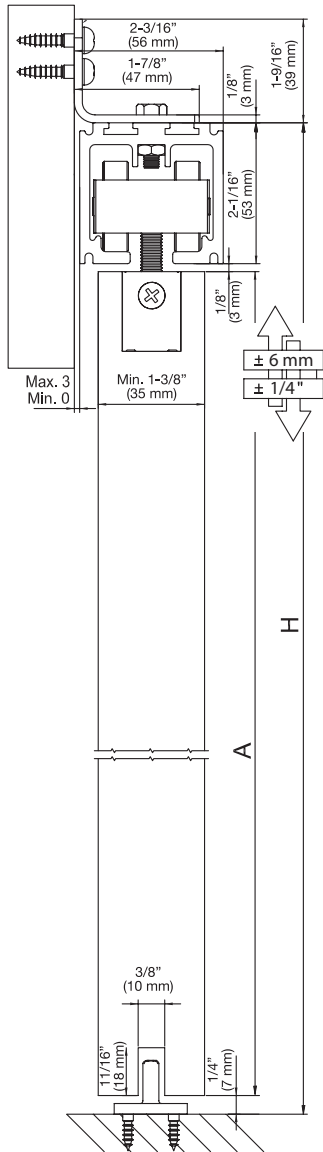
Track Type	Length	Item No.	Description	
Standard Aluminum Track	118-1/8" (3000 mm)	SDR-A300-3000		
1A Optional Parts for Track				
SDR-A-4131 Bottom Guide Channel	SDR-A300-30057 End Caps for Tracks	SDR-A-4140 Bottom Guide Roller	SDR-A300-30064 Short Bracket	

2. Hardware Set

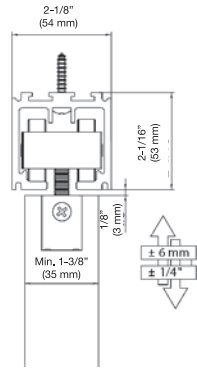
Door Mount	Item No.	Set Details
Top Recessed	SDR-A300TR-PRT	 Top Recessed Roller Set
Top Surface	SDR-A300TS-PRT	 Top Surface Roller Set

- How to order:
 1. Select track and track length
 - 1A. Select any optional parts for track
 2. Choose hardware set

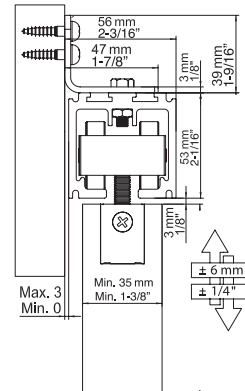
TRACK MOUNTING OPTIONS



Top Recessed (SDR-A300TR)

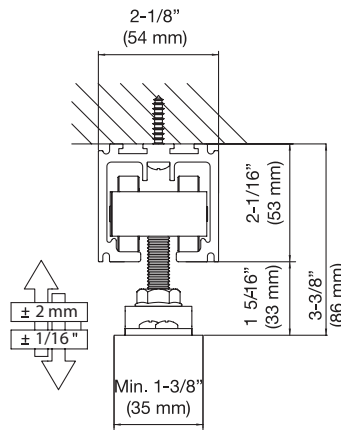


Ceiling Mount
Traditional Ceiling mount option shown with recessed rollers.

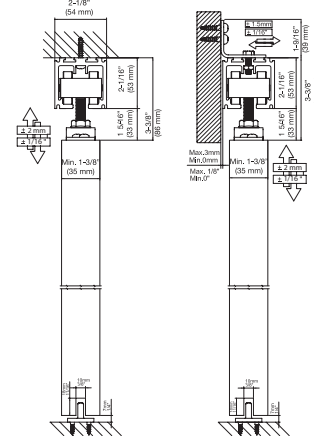


Wall Mount w/ Short Bracket
Top track short bracket for Barn Door style mounting that allows fast and simple installation.

Top Surface (SDR-A300TS)



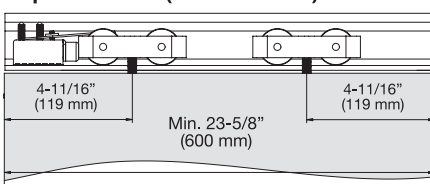
Ceiling Mount
Traditional Ceiling mount option shown. Fascia can be mounted on both sides if needed



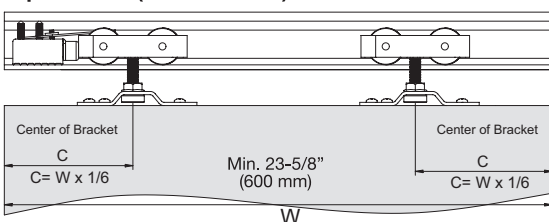
Wall Mount w/ Short Bracket
Top track short bracket for Barn Door style mounting that allows fast and simple installation.

Track Details

Top Recessed (SDR-A300TR)



Top Surface (SDR-A300TS)



FOLDING DOOR HARDWARE (Door Weight 88 lbs per door) SDR-A84D



Type	SDR-A84D	
	Folding Door	
Roller	Top Recessed	
Track Mounting	Ceiling	
Door Weight	Max. 88 lbs (40 kg) per panel	
Door Thickness	1-3/8" ~ 2" (50 mm ~ 35 mm)	
Door Height	Max. 94-1/2" (2400 mm)	
Door Width	Two Doors: Max. 39-3/8" (1000 mm)	Four Doors: Max. 29-1/2" (750 mm)

- Load capacity: 88 lbs per panel.
- Compatible with 2 or 4 doors.
- Ceiling mount options.
- Recessed Mounted door brackets.
- Concealed Hinges Recommended.
- Double rollers with ball bearings with quiet precision movement.
- Low profile minimum gap of 3/16" (5 mm).
- Recess Mount.
- Optional bottom track (not required).

Ordering Information

1. Track Options

Track Type	Length	Item No.	Description	1A Optional Parts for Track	
Standard Aluminum Track	78-3/4" (2000 mm)	SDR-A84D-2000		 SDR-A-4131 Bottom Guide Channel	 SDR-A-4110 Bottom Guide Roller
	118-1/8" (3000 mm)	SDR-A84D-3000			
False Ceiling Aluminum Track	118-1/8" (3000 mm)	SDR-A84D-TC-3000			

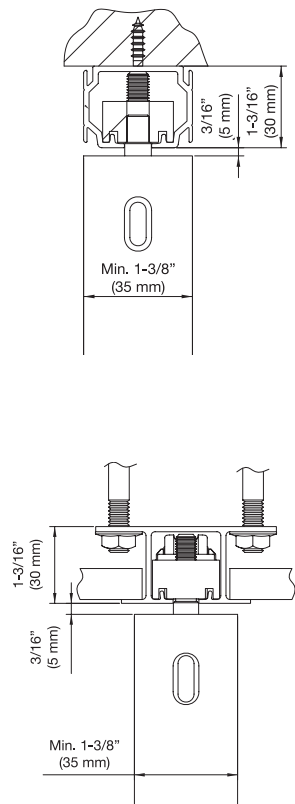
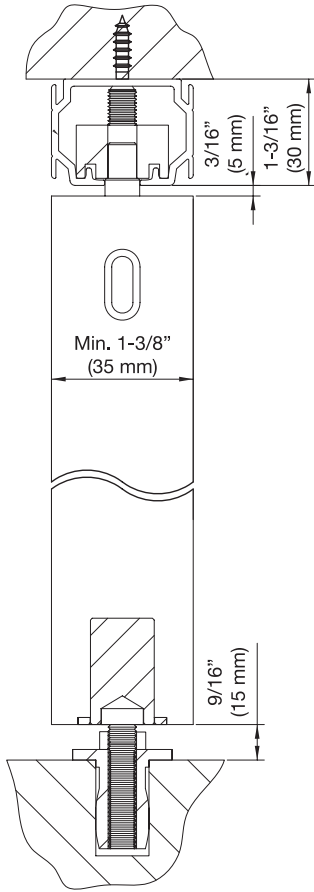
2. Hardware Set

Door Mount	Load Rating Per Door	Item No.	Set Details	
Two Door Assembly	Up to 66 lbs	SDR-A84D-2D2HDC	 (1) Set for (1) Pair of Doors	 (2) HES3D-120DC
	Up to 88 lbs	SDR-A84D-2D3HDC		 (3) HES3D-120DC
Four Door Assembly	Up to 66 lbs	SDR-A84D-4D4HDC	 (1) Set for (1) Pair of Doors	 (6) HES3D-120DC
	Up to 88 lbs	SDR-A84D-4D6HDC		 (1) SDR-A84D-8802 Set for SECOND Pair of Doors

2A Optional Parts for Hardware Set		
 SDR-A84D-8800 Set for Pair of Doors	 SDR-A84D-8801 Set for Single Door	 SDR-A84D-8802 Set for SECOND PAIR of Doors

- How to order:
 1. Select track and track length
 - 1A. Select any optional parts for track
 2. Choose hardware set
 - 2A. Select any optional parts for hardware set

TRACK MOUNTING OPTIONS



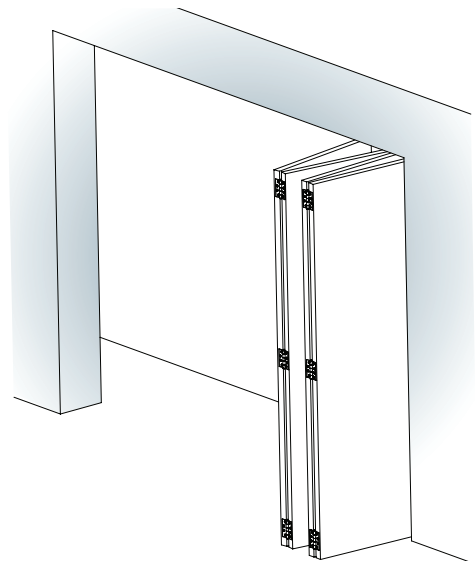
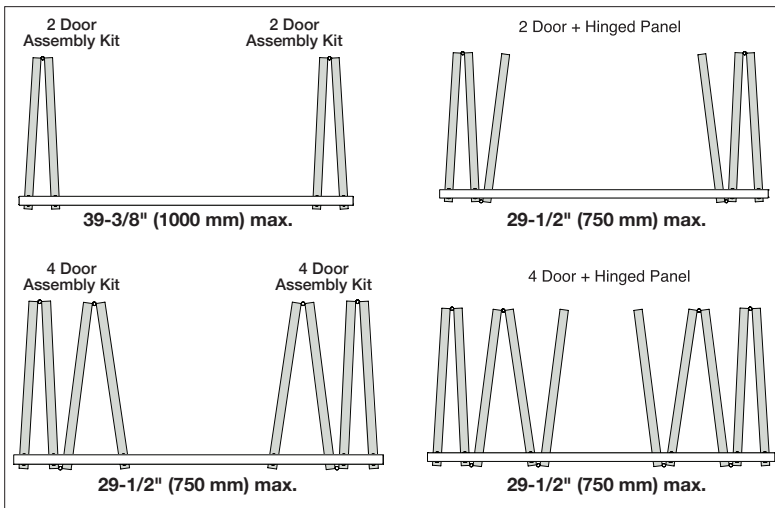
Ceiling Mount

Standard ceiling mount for doorways and closets. Requires 1-3/8" thick doors.

False Ceiling Mount

False ceiling mount for room partition applications. Requires 1-3/8" minimum thick doors. Hardware for sliding doors is completely concealed.

■ Configuration Options






Type	SDR-RA80SYN	
	Synchronized Bi-Parting	
Roller	Top Surface Mount	
Track Mounting	Ceiling	Wall w/Continuous Bracket
Door Weight	Max. 176 lbs (80 kg)	
Door Thickness	Min. 1-1/16" (27 mm)	
Door Width	40 kg door (88 lbs) Min: 28-1/8" (715 mm) Max: 59-1/16" (1500 mm)	80 kg door (176 lbs) Min: 36" (915 mm) Max: 59-1/16" (1500 mm)

- Successfully passed 100,000 cycles test (private).
- 176 lbs (80 kg).
- Ceiling and Wall/Barn Door Mount.
- Surface Mounted Door Brackets.
- Double Rollers with Ball Bearings.
- Quiet Precision Movement.
- Soft Close Feature.
- Vertical Adjustment $\pm 1/16"$ (1 mm).

Ordering Information

1. Track Options



Track Type	Length	Item No.	Description
Standard Aluminum Track	78-3/4" (2000 mm)	SDR-RA80-2000	
	118-1/8" (3000 mm)	SDR-RA80-3000	

1A Optional Parts for Track

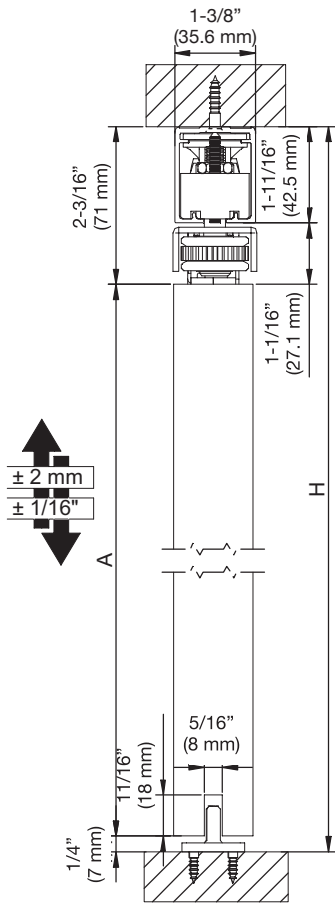
 SDR-RA80WL-2000 SDR-RA80WL-3000 Wall Mount Bracket	 SDR-RA80-8083 End Cover for Track	 SDR-RA80-8085 End Cover for Track & Wall Mount Bracket
---	---	--

- How to order:
 1. Select track and track length
 - 1A. Select any optional parts for track

2. Hardware Set

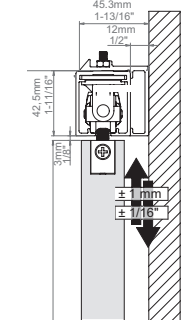
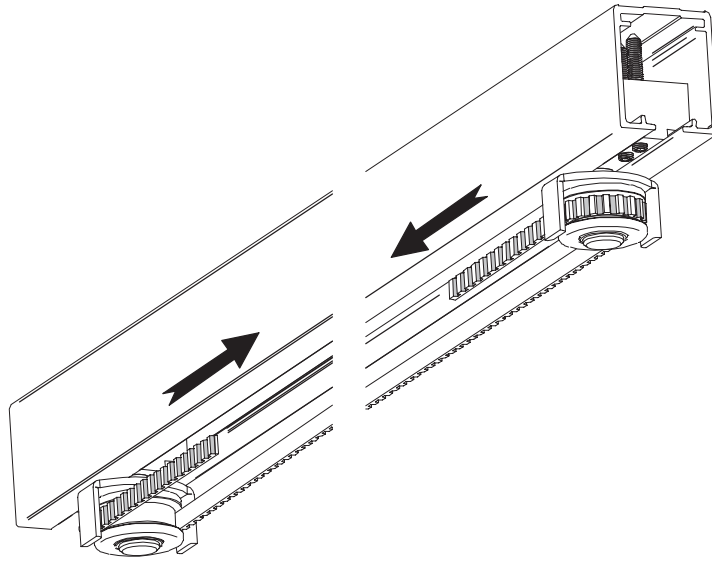
Load Rating (Per Door)	Item No.	Set Details
up to 88 lbs (40 kg)	SDR-RA80SYN-40	 Roller & Surface Door Mount Synchronized Set
up to 176 lbs (80 kg)	SDR-RA80SYN-80	 Roller & Surface Door Mount Synchronized Set

TRACK MOUNTING OPTIONS

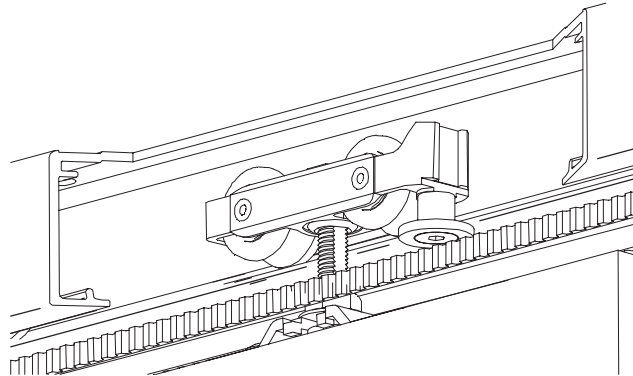


$A = H - 3\text{-}1/16'' (78 \text{ mm})$

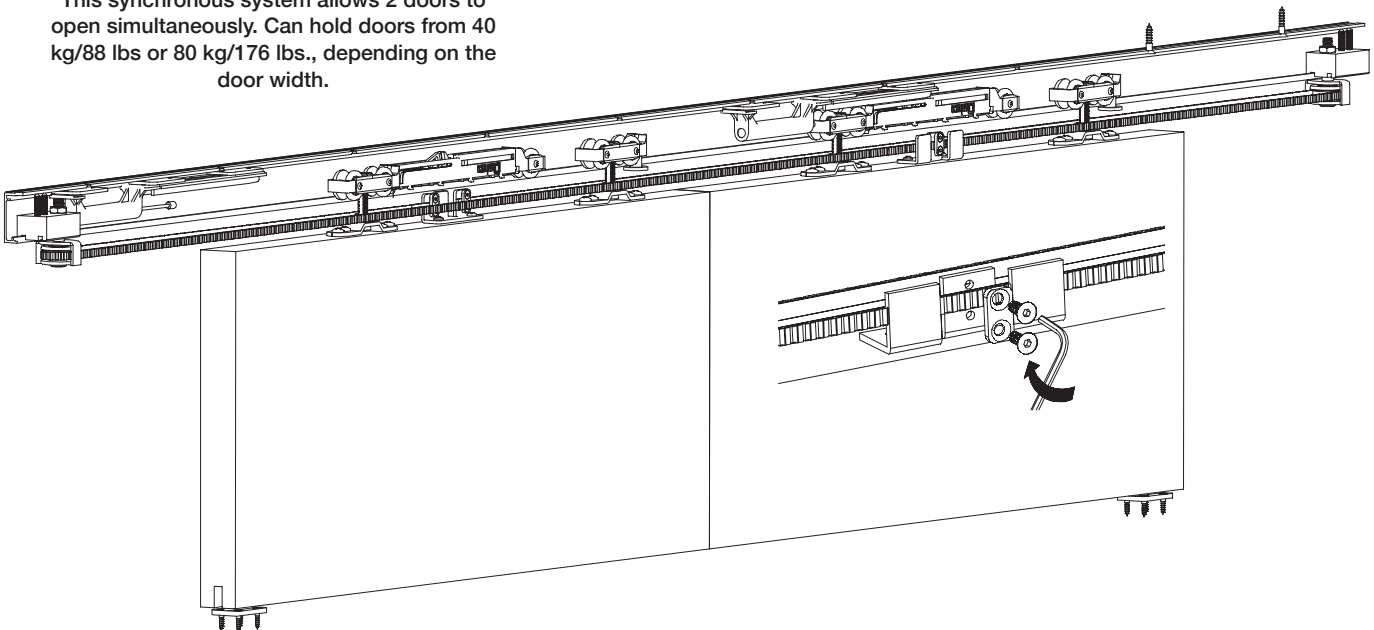
This synchronous system allows 2 doors to open simultaneously. Can hold doors from 40 kg/88 lbs or 80 kg/176 lbs., depending on the door width.



Wall Mount w/
Continuous Bracket



Synchronized system features an anti-jump feature attached to the rollers.



SYNCHRONIZED SLIDING DOOR HARDWARE

SDR-A125SYN






Type	SDR-A125SYN
	Bi-Parting Synchronizing
Track Mounting	Ceiling
Door Weight	Max. 275 lbs (125 kg)
Door Thickness	Min. 1-3/8" (35 mm)
Door Width	23-5/8" ~ 47-1/4" (600 ~ 1200 mm)

- Load capacity: 275 lbs (125 kg).
- Smooth Bi-Parting synchronized function.
- Ceiling Mount.
- Surface Mounted door brackets.
- Double rollers with ball bearings.
- Quiet precision movement.
- Vertical Adjustment $\pm 1/8"$ (2.5 mm).

Ordering Information

1. Track Options

Track Type	Length	Item No.	Description
Standard Aluminum Track	118-1/8" (3000 mm)	SDR-A125-3000	

1A Optional Parts for Track	
 SDR-A-125-10433 Anodized Aluminum Fascia (3000 mm)	 SDR-A81-6061 Aluminum Separator

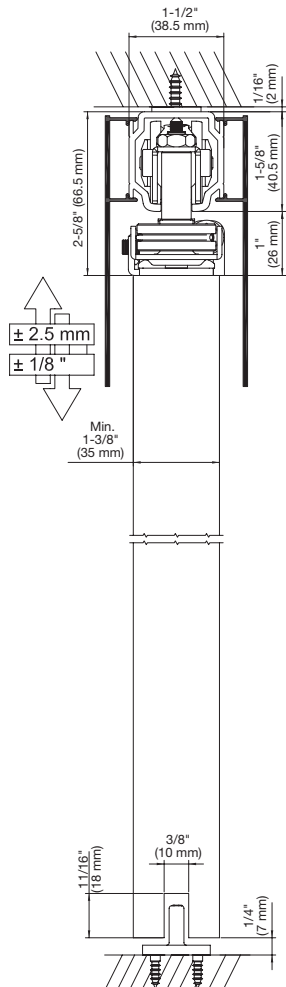
- How to order:
 1. Select track and track length
 - 1A. Select any optional parts for track
 2. Choose hardware set

* If installing fascia for ceiling mount, one per each fixing point

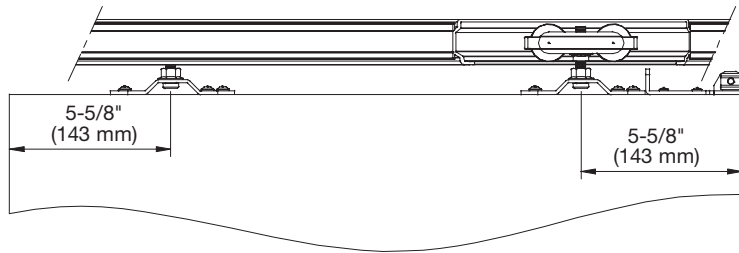
2. Hardware Set

Door Mount	Item No.	Set Details
Surface Bracket with Synchronized Bracket Set	SDR-A125SYN-KIT	 (2) SDR-A125TS-PRT + (1) SDR-A125SYN-PRT

TRACK MOUNTING OPTIONS

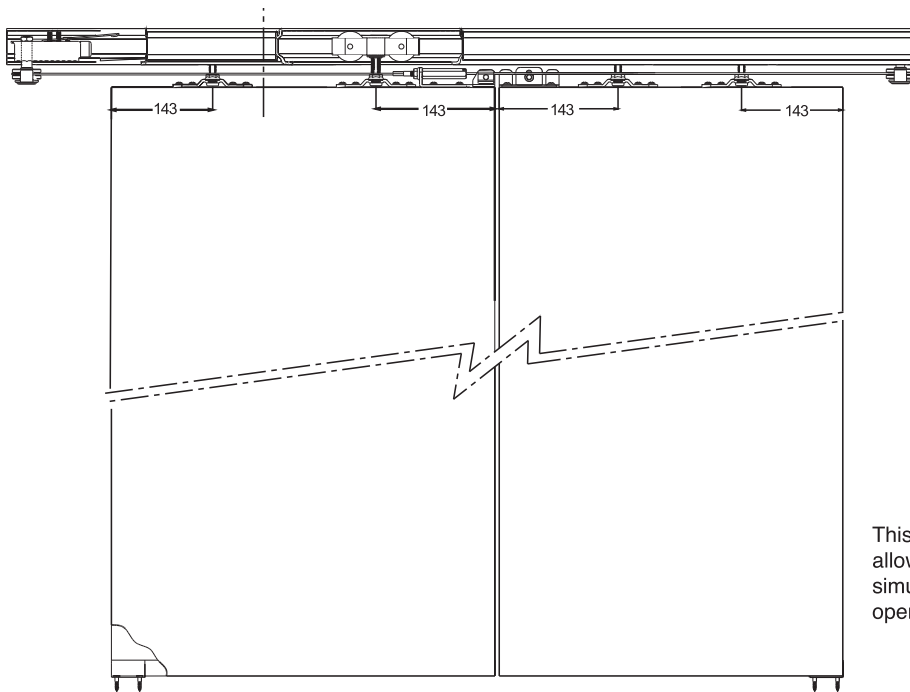
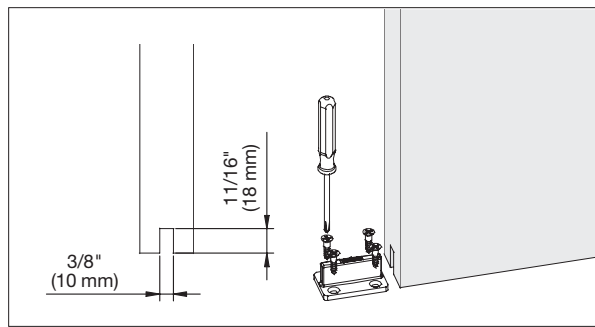


Ceiling Mount



The Bi-parting Synchronized door system allows for wider door openings in a variety of spaces. The top hung doors leave the floor free of tracks and make this system desirable for entrances to conference rooms, kitchen or bathrooms.

■ Floor Guide Installation



This synchronous system allows 2 sliding doors to open simultaneously. Can be applied to opening of 7' and 10-1/2".

SELF CLOSING SLIDING DOOR SYSTEM

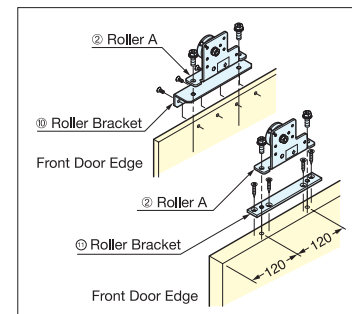
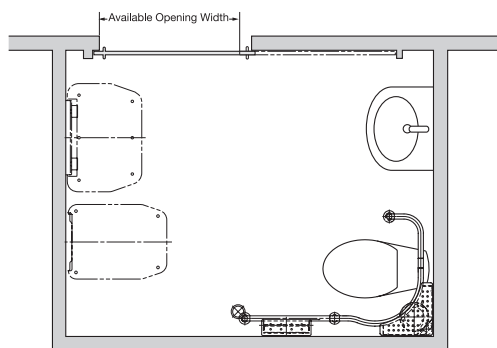
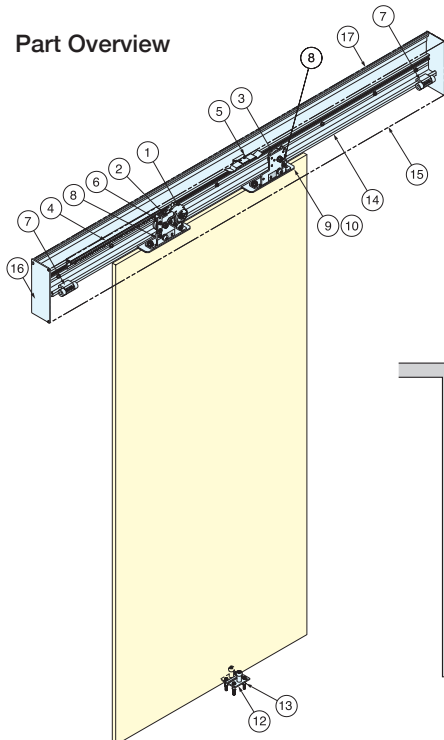
LM-80



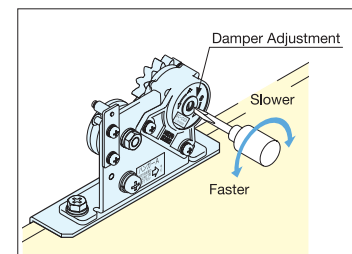
Item No.	LM-80
Door Width	27-9/16" ~ 47-1/4" (700 ~ 1200 mm)
Door Thickness	1/2" (13 mm) or 1-1/8" ~ 1-9/16" (28 ~ 40 mm)
Door Weight	66 ~ 176 lbs (30 ~ 80 kg)/door
Door Travel	Max. 43-5/16" (1100 mm) in case of door width 47-1/4" (1200 mm)

- Self-closing sliding door system.
- Equipped with damper for smooth and soft-closing, eliminating door slamming.
- Dampening speed adjustable for best soft-closing.
- Wall surface mount type for easy installation.
- No bottom rail needed for clean appearance.
- Door opens lightly for easy operation.
- Door catch included to hold door in fully open position.
- Designed for 1/2" (13 mm) solid phenolic panel or 1-1/8"~1-9/16" (28 ~ 40 mm) thick wood doors.
- Non-handed.
- Glass door system available.

Part Overview

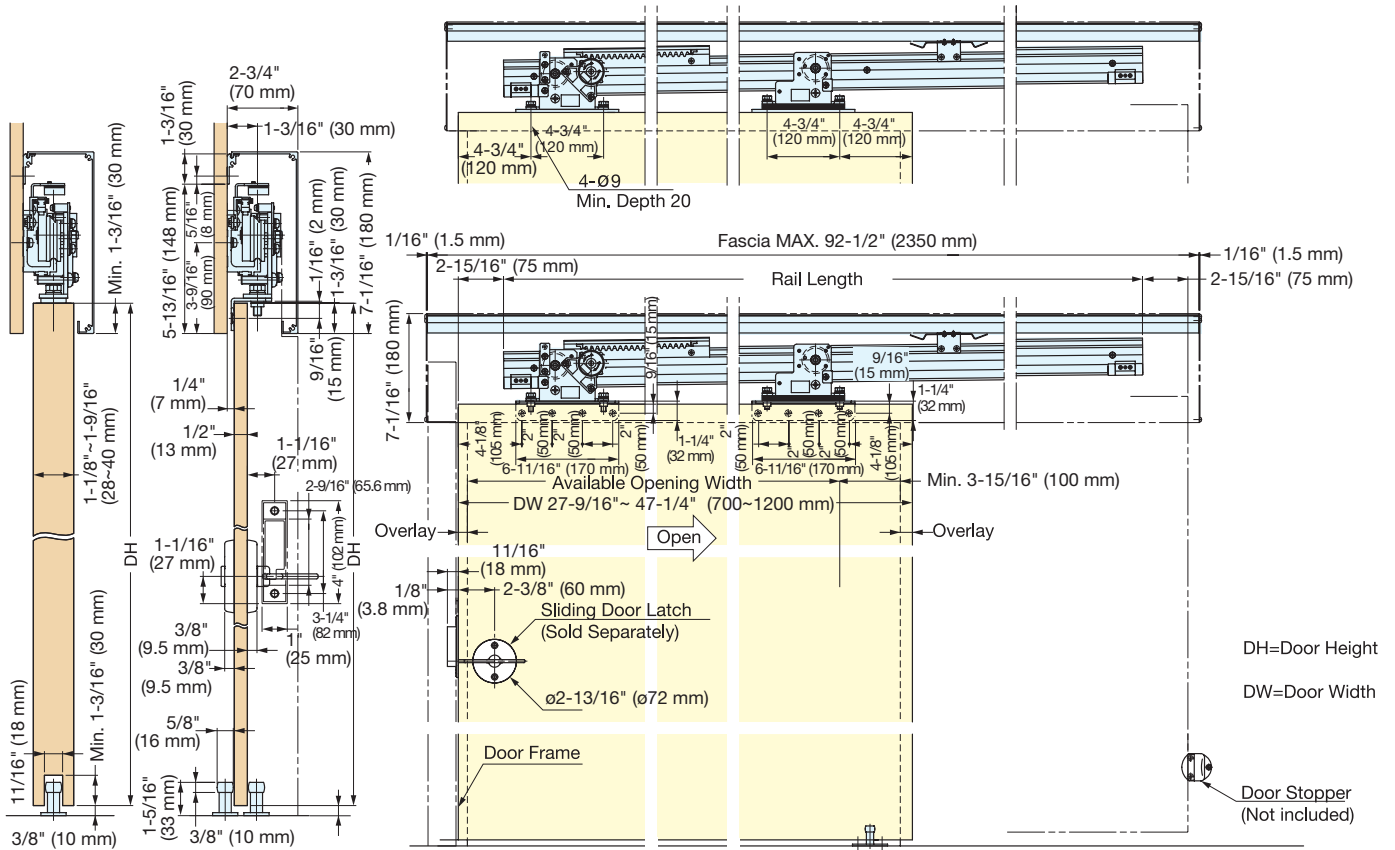


Roller Brackets for solid phenolic panel and wood door included.



Closing speed adjustable by turning adjustment screw on damper.

TRACK MOUNTING OPTIONS



Part Details

No.	①	②	③	④	⑤	⑥	⑦
Name	Damper	Roller A	Roller B	Gear Rack	Spring	Stopper Roller	Door Stopper
Qty. / Set	1 pc	1 pc	1 pc	1 pc	1 pc	1 pc	2 pcs
No.	⑧	⑨	⑩	⑪	⑫	⑬	⑭
Name	Stopper Plate	Height Adjustment Spacer	Roller Bracket (For Solid Phenolic)	Roller Bracket (For Wood)	Bottom Roller Guide	Anchor	Roller Rail (2200 mm)
Qty. / Set	2 pcs	t1:15 pcs, t0.5:1 pc	2 pcs	2 pcs	2 pcs	4 pcs	1 pc
No.	⑮	⑯	⑰	No.	Option		
Name	Fascia (2350 mm)	Side Cover	Mounting Plate (For Fascia) (2350 mm)	Name	Latch w/indicator		
Qty. / Set	1 pc	1 pc ea. (Left & Right)	1 pc	Item No.	ET-125T		
Qty. / Set	1 pc	1 pc ea. (Left & Right)	1 pc	Qty. / Set	1 pc		



reddot award 2017
winner



LIN-X1000



Door Width	29-1/2" ~ 43-5/16" (750 ~ 1100 mm)
Max. Door Height	117-5/16" (2980 mm)
Door Thickness	15/16" ~ 1-9/16" (24 ~ 40 mm)
Max. Door Weight	198 lbs (90 kg/door)

Item No.	Overlay	Material	Finish
LIN-X1000/WT-S	3/4" (19 mm)	Steel, Aluminum	White
LIN-X1000/BL-S			Black

FULL SIZE DOORS LIN-X1000

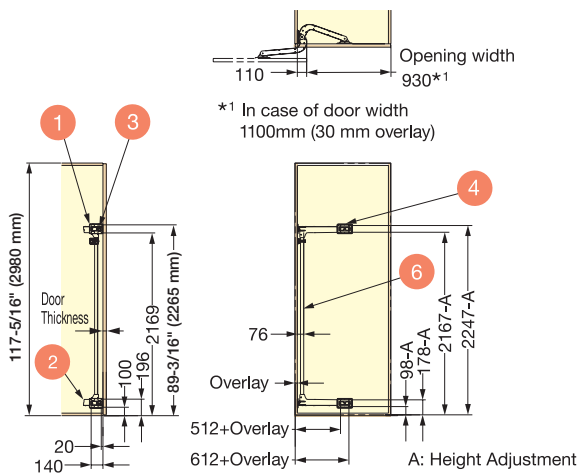
- Lateral Opening Mechanism: Allows doors to swing out laterally in a small radius, ideal for tight front space application.
- Heavy Duty: Max. weight 198 lbs.(90 kg).
- 4-Way Adjustable: Vertical, horizontal, depth and parallel adjustment.
- Smooth Movement: Built-in dampers provide a smooth soft-closing movement.
- Use in various applications: Ideal for closet entryways, large pantry doors, storage, hidden rooms, etc.
- Hardware is non-handed: can be used for left-opening or right-opening doors.
- Designed for overlay installation, but can be installed flush with the surrounding cabinet or wall. Please contact customer service for details on inset installations.



No.	Qty	Dimensions	Description
1	1 pc		Upper Arm Material: Aluminum Alloy Finish: White/Black Powder Coated
2	1 pc		Lower Arm Material: Aluminum Alloy Finish: White/Black Powder Coated
3	4 pcs		Cover for Mounting Plate (Hinge Side) Material: ABS Finish: White/Black

No.	Qty	Dimensions	Description
4	4 pcs		Cover for Mounting Plate (Door Side) Material: ABS Finish: White/Black
5	1 pc		Damper for Opening Material: PBT Finish: White/Black

No.	Qty	Dimensions	Description
6	1 pc		Connecting Bar Material: Aluminum Alloy Finish: White Anodized/Black Anodized



Range of Motion

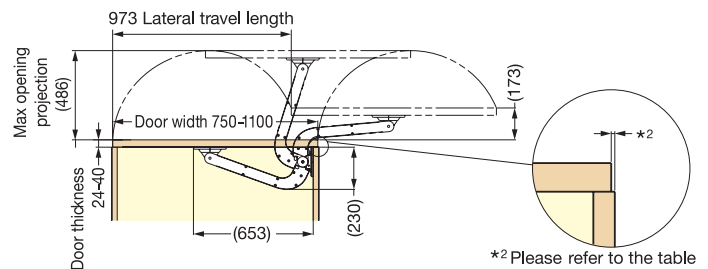


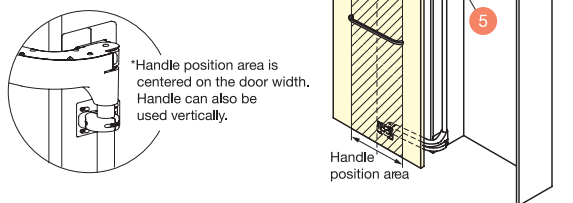
Table 1: Handle position area (for door thickness 40 mm)

Door width	Hinge side clearance		
	10 mm	15 mm	20 mm
750 mm - 900 mm	Max. 300 mm	Max. 350 mm	Max. 500 mm
900 mm - 1000 mm	Max. 200 mm	Max. 250 mm	Max. 400 mm
1000 mm - 1100 mm	Max. 100 mm	Max. 150 mm	Max. 300 mm

Table 2: Please follow Height Adjustment (A) based on the following table so that the door will not contact the floor.

Door weight	Height Adjustment
44 lbs (20 kg)	2.0 mm
66.1 lbs (30 kg)	3.5 mm
88.2 lbs (40 kg)	5.0 mm
110.2 lbs (50 kg)	6.5 mm
132.2 lbs (60 kg)	8.0 mm
154.3 lbs (70 kg)	9.5 mm
176.3 lbs (80 kg)	11.0 mm
198.4 lbs (90 ka)	12.5 mm

[Details of 5]

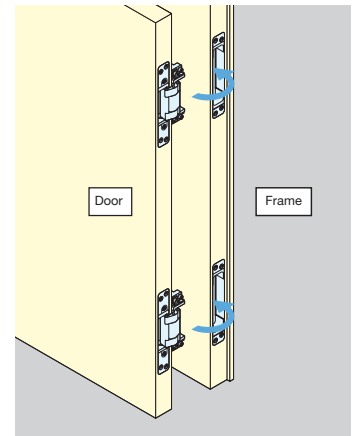


Concealed Hinges

HES3D Series

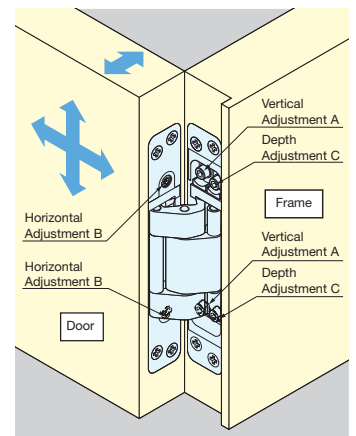
EASY INSTALLATION

Here's why, Sugatsune's HES3D series hinges incorporate a feature that allow the hinge leaves to separate. One leaf is installed in the door frame, while the other is installed into the door itself. You can then install and adjust the door at any time.



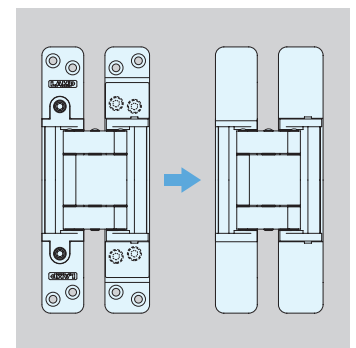
3-WAY ADJUSTABLE FEATURE

HES3D series hinges have vertical, horizontal, and depth adjustment features, so if your door isn't perfectly aligned on the first try, this feature allows adjustments in each direction.



OVERALL LOOK

HES3D series hinges feature squared shape and round corners, comes with cover caps to hide all screws on the face of the hinge, so when your hinge is installed, it has a clean, sleek appearance.



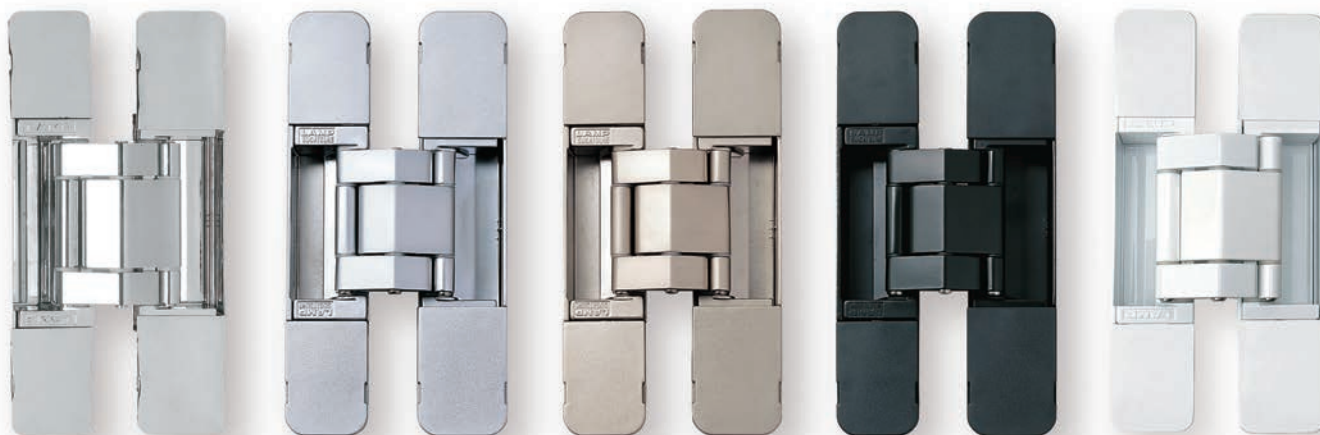
UL® LISTED

HES3D-E190 and HES3D-W190 are UL® Listed with **3 HOUR FIRE RATING.**

3-WAY ADJUSTABLE CONCEALED HINGE



HES3D-E190



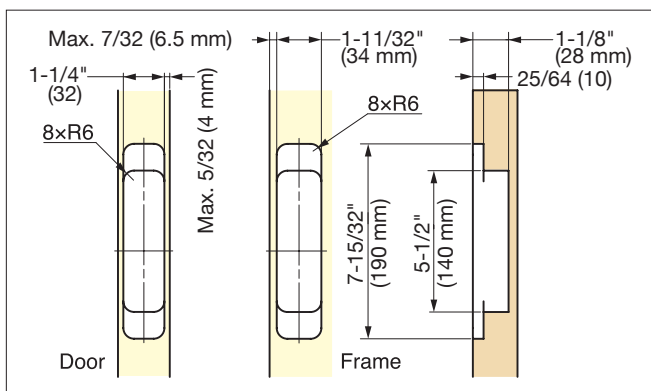
HES3D-E190PN-UL

HES3D-E190DC-UL

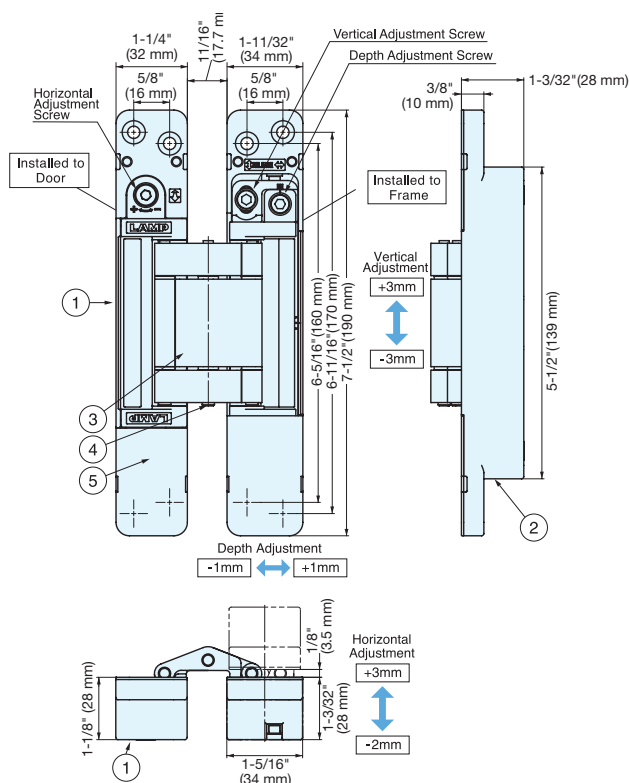
HES3D-E190DN-UL

HES3D-E190BL-UL

HES3D-E190WT-UL



- 3-WAY adjustment function allows vertical, horizontal, and depth adjustment after hinge installed.
- Easy installation with Lift-off feature: can be split into two parts (one for the frame and one for the flap), can temporarily be hung and hold position without being affixed with screws.
- Successfully passed 300,000 open/close private cycle tests.
- Supplied with steel flat head screw.
- Door Thickness: Min. 1-1/2" (38 mm).
- Door Weight: Max. 220 lbs (100 kg)/2 pcs, Max. 275 lbs (100 kg)/3 pcs.
- Door Size: Max. H 94-1/2" (2400 mm) Max. W 35-7/16" (900 mm)
- Bracket for sheet metal doors/frames available, sold separately (HES3D-E190BKT-F).
- **UL® Listed with 3 hour fire rating.**



No.	Part Name	Material	Finish/Color
1	Body	Zinc Alloy	Polished Nickel (PN)
2	Base Frame	Zinc Alloy	Dull Chrome (DC)
3	Arm	Aluminum Alloy	Dull Nickel (DN)
4	Cover	ABS	Matte Black (BL)
5	Pin	304 Stainless Steel	White (WT)

Item No.	Weight (g)	Box (pcs)	Carton (pcs)
HES3D-E190PN-UL	1050	2	12
HES3D-E190DC-UL			
HES3D-E190DN-UL			
HES3D-E190BL-UL			
HES3D-E190WT-UL			

3-WAY ADJUSTABLE CONCEALED HINGE

For Door Moldings



HES3D-W190



HES3D-W190DC-UL

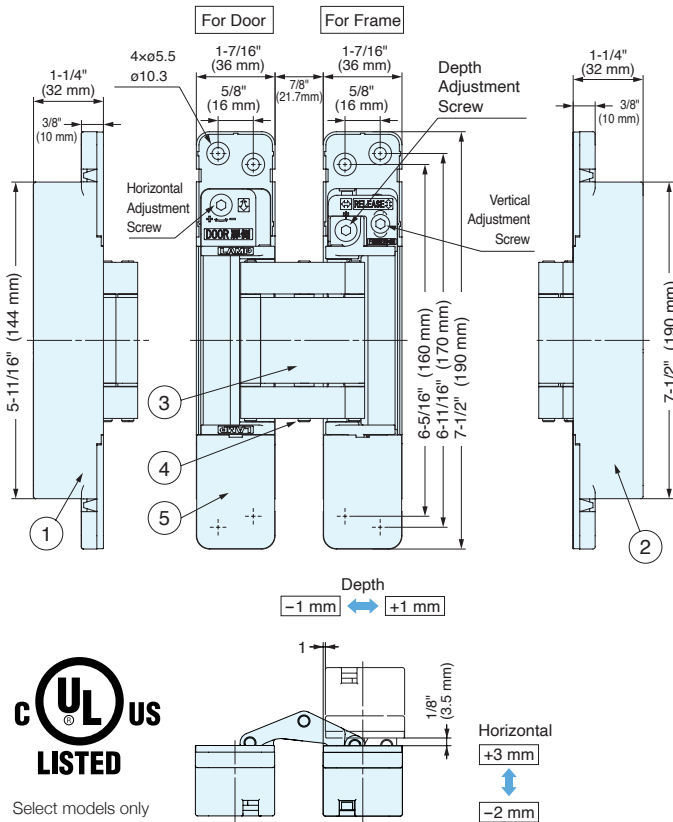
HES3D-W190DN-UL

HES3D-W190BL-UL

HES3D-W190WT

HES3D-W190PN*

HES3D-W190PB

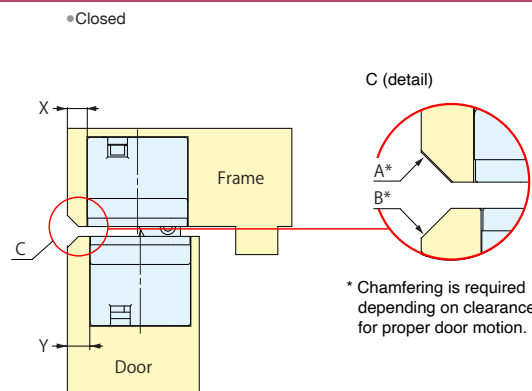
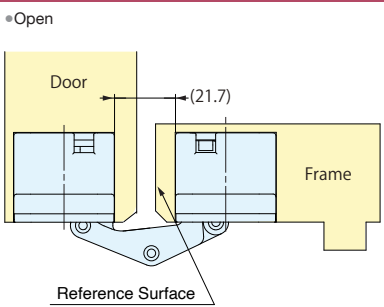
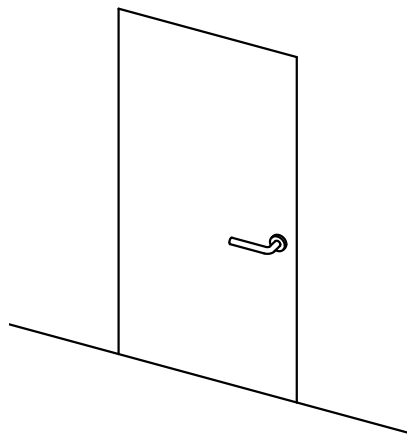


- Has a long arm for a wider throw, allowing 3/8" (10 mm) clearance for flush installation or 1/2" (13 mm) clearance for installation with a molding. Opens to 180°.
- Features 3-way adjustability (vertical, horizontal and depth).
- Flanges come apart for the door to be provisionally hung for making adjustments. This provides a quick and easy installation when ready for fixing screws.
- Replacement screw covers available for all finishes.
- *Only the HES3D-W190PN model includes metal cover plates, all other models include plastic cover plates.
- Supplied with steel flat head screw.
- Door Thickness: Min. 1-1/2" (38 mm).
- Door Weight: Max. 220 lbs (100 kg) /2 pcs, Max. 275 lbs (125 kg) /3 pcs.
- Door Size: Max. H 96-1/6" (2440 mm) Max. W 36" (915 mm)
- **UL® Listed with 3 hour fire rating** (DC, DN, and BL models only).

Item Name	Finish	Opening Angle	Weight (g)	Box (pcs)	Carton (pcs)
HES3D-W190DC-UL	Dull Chrome	180°	1231	2	12
HES3D-W190DN-UL	Dull Nickel			2	12
HES3D-W190BL-UL	Black			2	12
HES3D-W190PN	Polished Nickel			2	12
HES3D-W190WT	White			2	12
HES3D-W190PB	Polished Brass			2	12

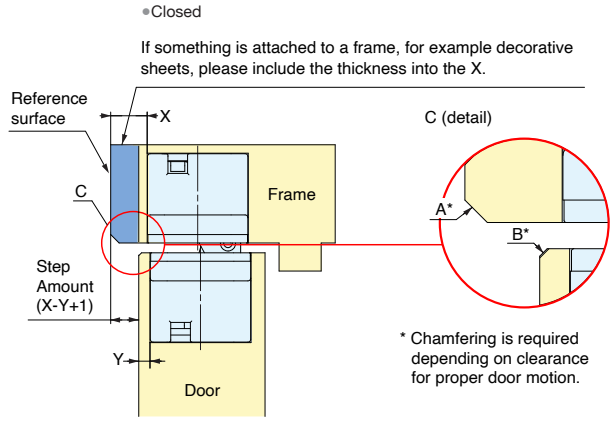
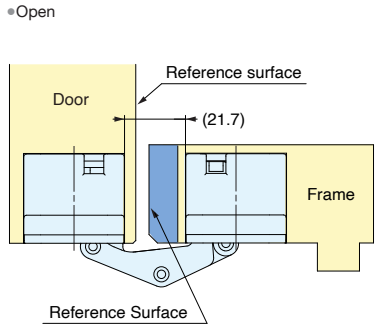
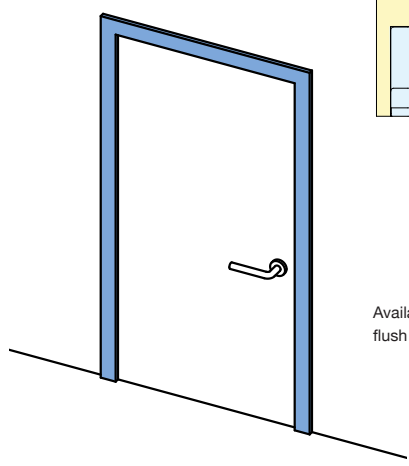
No.	Part Name	Material	Finish/Color					
			DC	DN	BL	PN	WT	PB
1	Body	Zinc Alloy (ZDC)	Satin	Nickel	Enamel Black	Nickel	Enamel White	Brass
2	Base Frame							
3	Arm	Aluminium Alloy						
4	Shaft	Stainless Steel	Plain	Plain	Plain	Plain	Plain	Plain
5	Screw Cover	ABS or Stainless Steel*	Silver	Dull Nickel	Black	Nickel	White	Brass

Flush Installation



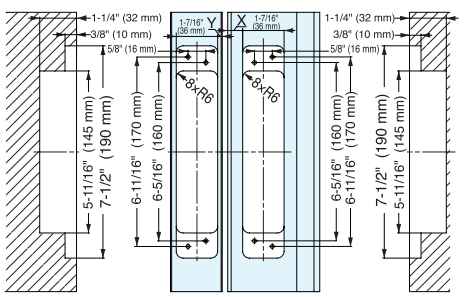
Y	B	X	A
Door Clearance	Door Chamfering	Frame Clearance	Frame Chamfering
4 and under	0	3 and under	0
5	1	4	1
6	2	5	2
7	3	6	3
8	4	7	4
9	6	8	6

Installation with Molding

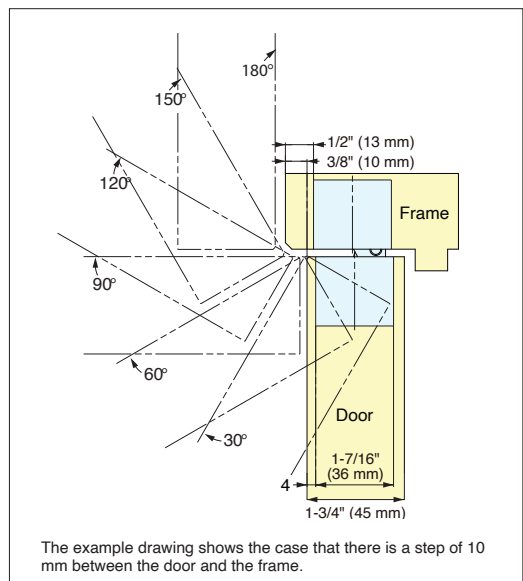


Available on doors which are not aligned flush to the wall or frame.

Cut Out Dimension



Please drill prepared holes for the tapping screws if the optional jig (HES3D-W190-TMP) is not used.



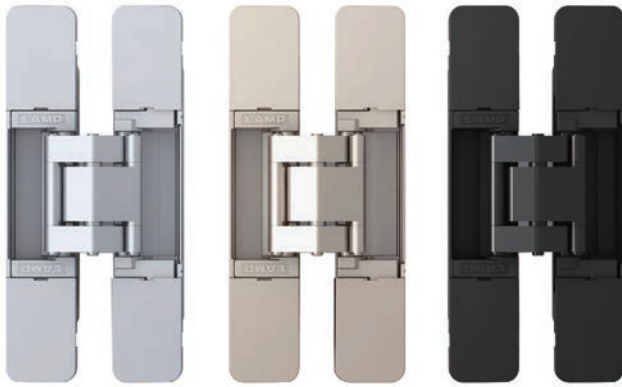
The example drawing shows the case that there is a step of 10 mm between the door and the frame.



3-WAY ADJUSTABLE CONCEALED HINGE



HES3D-E160

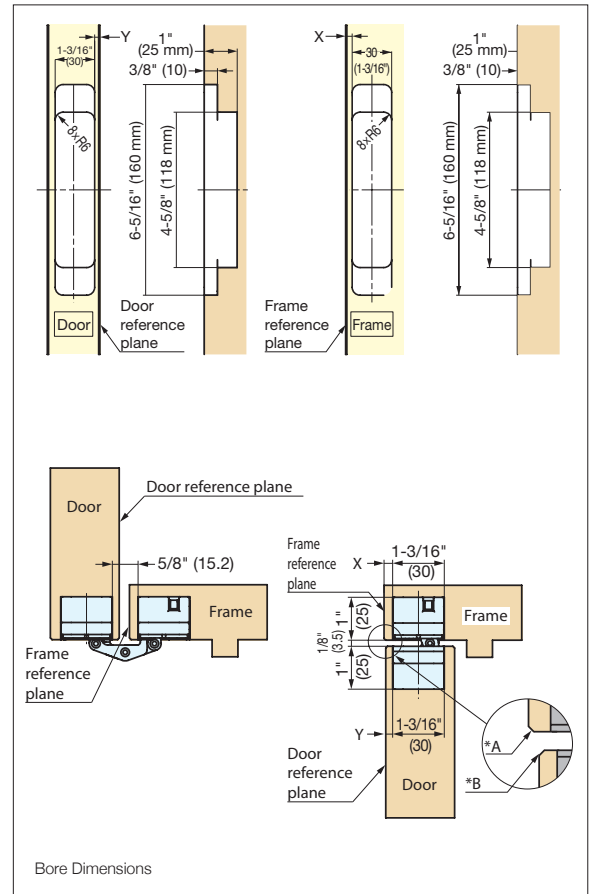
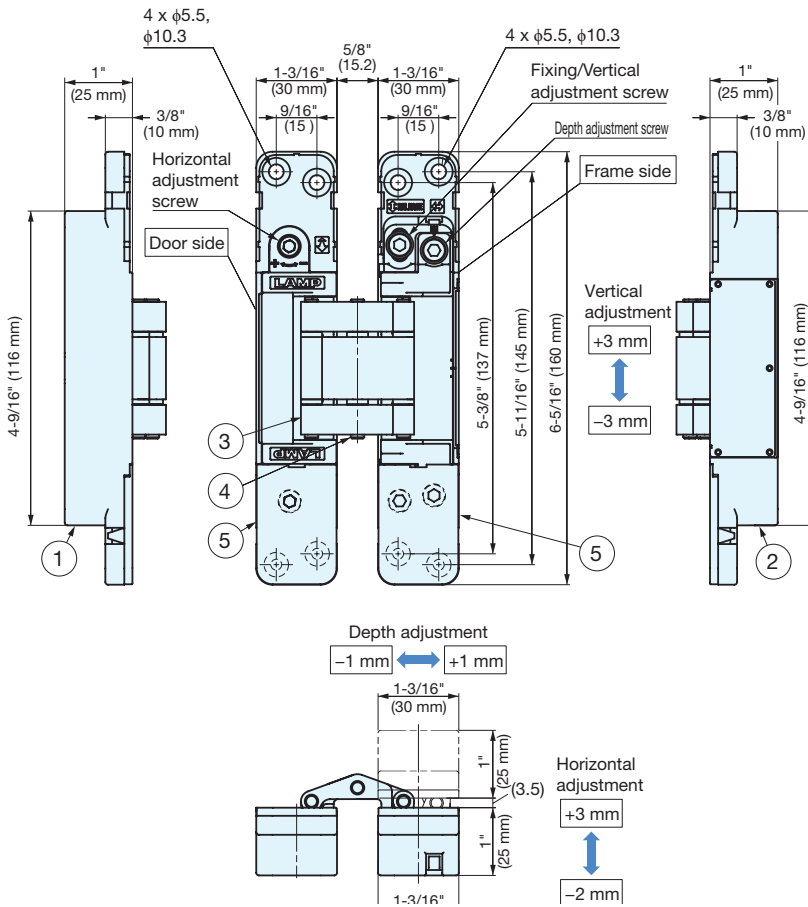


HES3D-E160DC

HES3D-E160DN

HES3D-E160BL

- 3-WAY adjustment function allows vertical, horizontal, and depth adjustment after hinge installed.
- Easy installation and adjustment.
- Successfully passed 300,000 open/close private cycle tests.
- Supplied with steel flat head screw.
- Covers hide all screw heads for clean appearance.
- Door weight: Max. 121 lbs (55 kg)/2pcs; 154 lbs (70 kg)/3pcs.
- Door thickness: Min. 1-3/8" (35 mm).
- Max. door size: H 94-1/2" x W 35-7/16"
(H 2400 mm x W 900 mm).



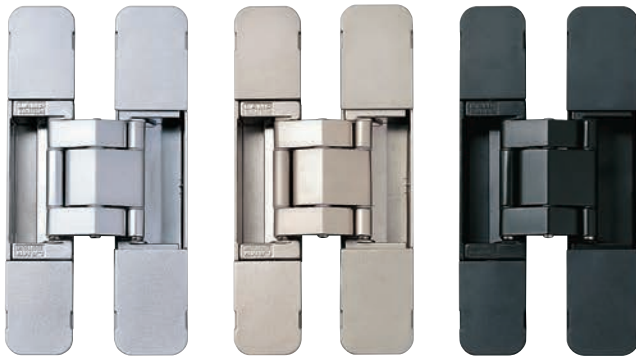
No.	Part Name	Material	Finish/Color
1	Body	Zinc Alloy	Dull Chrome (DC), Dull Nickel (DN), Black (BL)
2	Base Frame		
3	Arm	Aluminum	
4	Pin	304 Stainless Steel	-
5	Cover	ABS	Dull Chrome (DC), Dull Nickel (DN), Black (BL)

Item No.	Finish/Color	Weight (g)	Box (pcs)	Carton (pcs)
HES3D-E160DC	Dull Chrome			
HES3D-E160DN	Dull Nickel	760	2	12
HES3D-E160BL	Black			

3-WAY ADJUSTABLE CONCEALED HINGE



HES3D-120

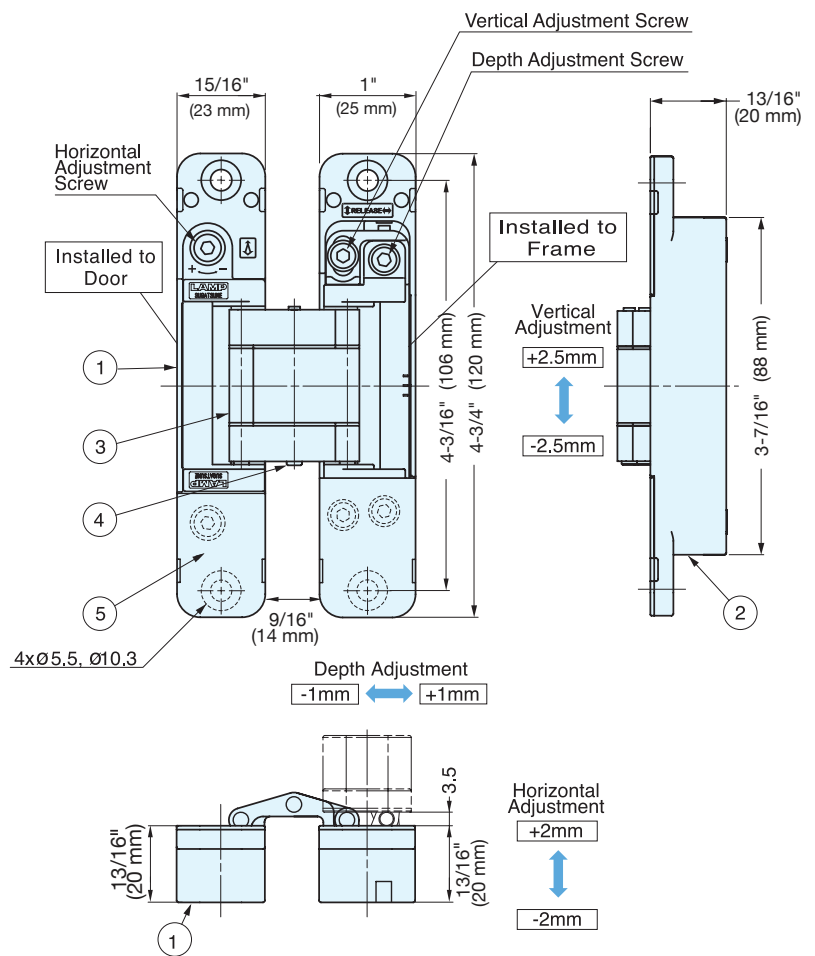
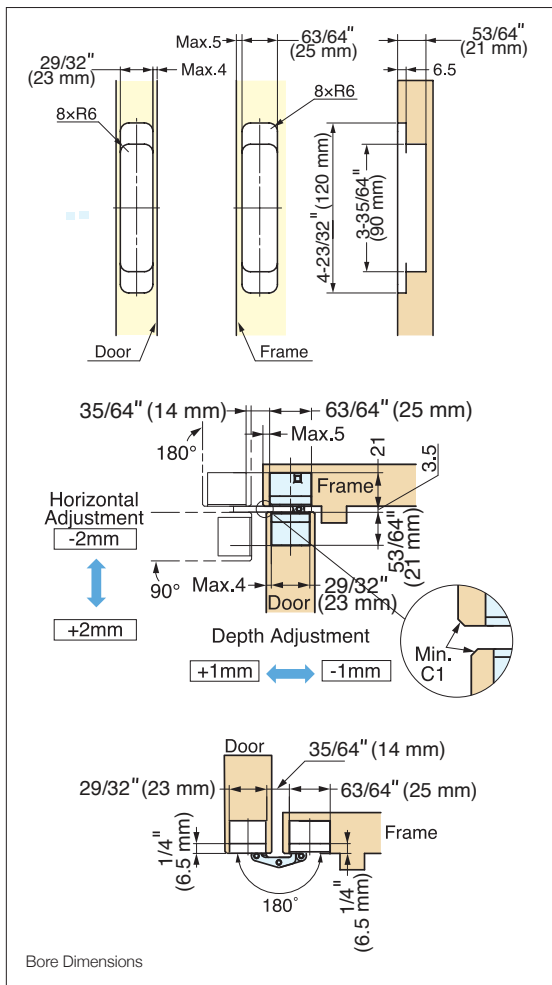


HES3D-120DC

HES3D-120DN

HES3D-120BL

- 3-WAY adjustment function allows vertical, horizontal, and depth adjustment after hinge installed.
- Easy installation and adjustment.
- Successfully passed 300,000 open/close private cycle tests.
- Supplied with steel flat head screw.
- Covers hide all screw heads for clean appearance.
- Door weight: Max. 66 lbs (30 kg)/2 pcs; 88 lbs (40 kg)/3 pcs.
- Door Thickness: Min. 1-1/8" (29 mm).
- Max. Door Size: H 94-1/2" x W 35-7/16" (H 2400 mm x W 900 mm).
- Bracket for sheet metal available (HES3D-120BKT).



Item No.	Finish/Color	Weight (g)	Box (pcs)	Carton (pcs)
HES3D-120DC	Dull Chrome	380	2	24
HES3D-120DN	Dull Nickel			
HES3D-120BL	Black			

No.	Part Name	Material	Finish/Color
①	Body	Zinc Alloy	Dull Chrome (DC)
②	Base Frame		Dull Nickel (DN)
③	Arm		Black (BL)
④	Pin	304 Stainless Steel	-
⑤	Cover	ABS	Dull Chrome (DC) Dull Nickel (DN) Black (BL)

STAINLESS STEEL LIFT-OFF HINGE

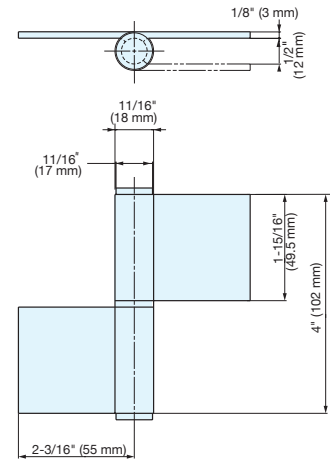


S-6166-2



Right

- Weld-on type stainless steel lift-off hinge.
- Left and Right handed available.
- Door weight:
Max. 88 lbs (40 kg)/pair.

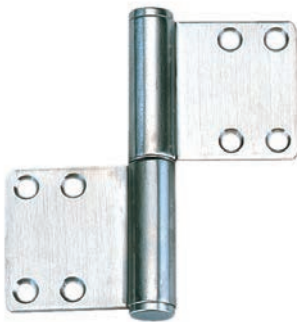


Item No.		Weight (g)	Box (pcs)	Carton (pcs)	Material	Finish
Left	Right					
S-6166-2-L	S-6166-2-R	300	12	60	304 Stainless Steel	Satin

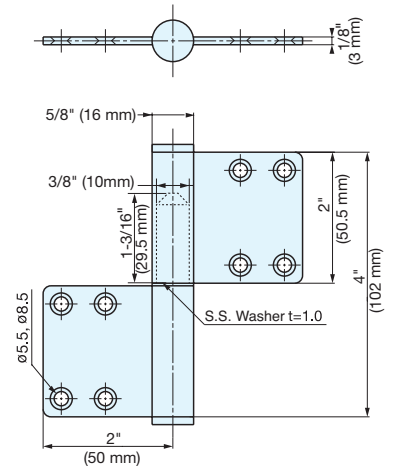
STAINLESS STEEL LIFT-OFF HINGE



S-6173-2



- Screw hole is countersunk from both sides.
- Non-handed.
- Door weight:
Max. 88 lbs (40 kg)/pair.



Item No.	Weight (g)	Box (pcs)	Carton (pcs)	Material	Finish
S-6173-2	240	12	60	304 Stainless Steel	Satin

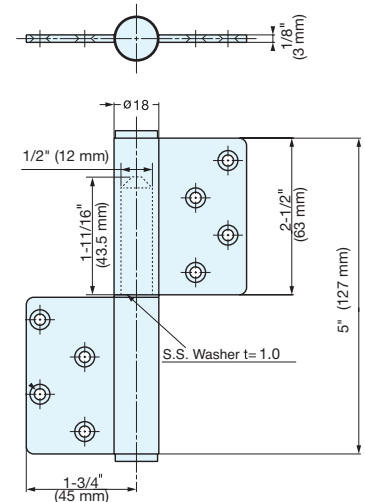
STAINLESS STEEL LIFT-OFF HINGE



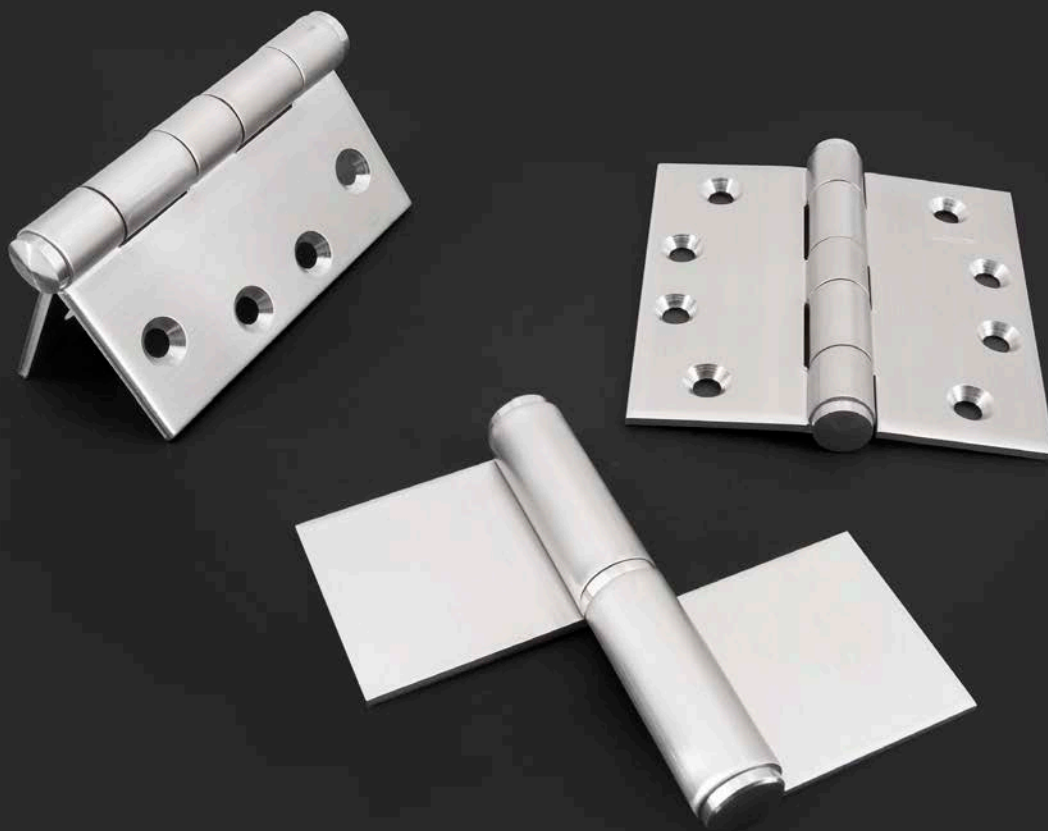
S-6173-5



- Screw hole is countersunk from both sides.
- Non-handed.
- Door weight:
Max. 110 lbs (50 kg)/pair.



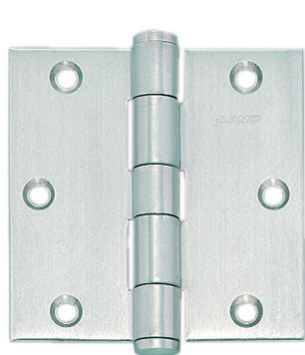
Item No.	Weight (g)	Box (pcs)	Carton (pcs)	Material	Finish
S-6173-5	330	8	40	304 Stainless Steel	Satin



STAINLESS STEEL BUTT HINGE

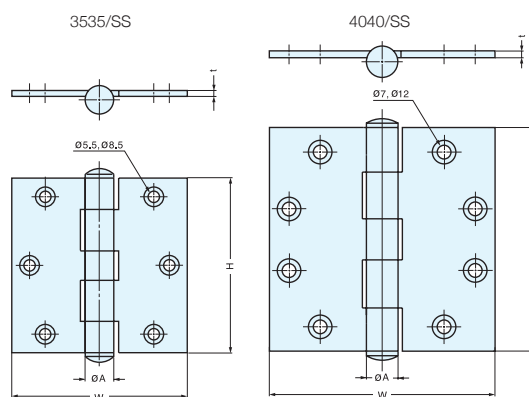


3535/SS, 4040/SS



- Tamper proof.
- Door weight:

3535/SS Max. 55 lbs (25 kg)/pair.
4040/SS Max. 88 lbs (40 kg)/pair.



Material	Finish
304 Stainless Steel	Satin

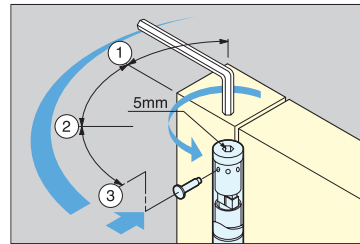
Item No.	H	W	A	t	Weight (g)	Box (pcs)	Carton (pcs)
3535/SS	3-1/2" (89)	3-1/2" (89)	35/64" (14.0)	1/8" (3.0)	145	2	100
4040/SS	4" (101.6)	4" (101.6)	37/64" (14.8)	9/64" (3.4)	195		50

SPRING HINGES

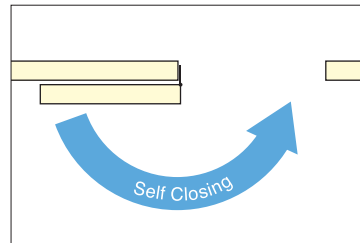


- Spring loaded for self closing.
- Adjustable spring tension.
- Available in 4 sizes/load capacities.
- Available in stainless steel and aluminum.
- Successfully passed 500,000 open/close private cycle tests.

Adjustable Spring Tension



Self Closing



JSA-120A



JSA-180S

Item No.	Material	Finish
JSA-120A	Aluminum	Anodized
JSA-180A		
JSA-120S	304 Stainless Steel	Satin
JSA-180S		

Item No.	Load Capacity		Weight (g)	Box (pcs)	Carton (pcs)
	2 Hinges	3 Hinges			
JSA-120A	44 lbs (20 kg)	66 lbs (30 kg)	175	2	20
JSA-180A	88 lbs (40 kg)	132 lbs (60 kg)	260		
JSA-120S	44 lbs (20 kg)	66 lbs (30 kg)	303		
JSA-180S	88 lbs (40 kg)	132 lbs (60 kg)	526		

DOUBLE ACTION SPRING HINGE

STAINLESS
304
STEEL

ALUMINUM

JDA

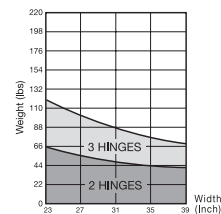


JDA-120-30A

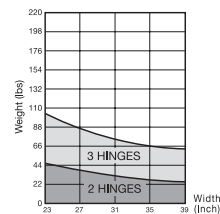
JDA-180-38S



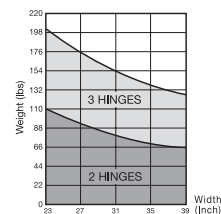
- Spring loaded for self-closing.
- Adjustable spring tension.
- Available in 7 sizes and 2 materials.
- For 2-way swinging doors.
- Successfully passed 500,000 open/close private cycle tests.



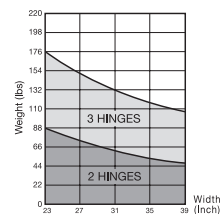
JDA-120-30A



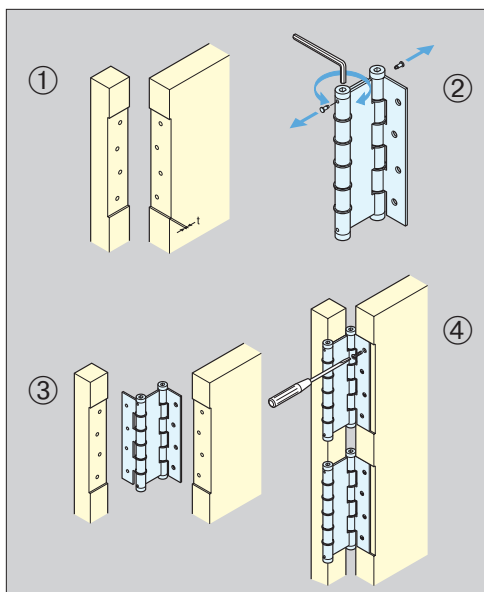
JDA-120-40A
JDA-120-36S



JDA-180-30A



JDA-180-40A
JDA-180-38S



Item No.	Max. Door Thickness	Weight (g)	Material	Finish	Box (pcs)	Carton (pcs)
JDA-120-30A	1-3/16" (30 mm)	275	Aluminum	Anodized	2	20
JDA-120-40A	1-9/16" (40 mm)	320				
JDA-180-30A	1-3/16" (30 mm)	407				
JDA-180-40A	1-9/16" (40 mm)	466				
JDA-180-50A	1-31/32" (50 mm)	510	304 Stainless Steel	Satin		
JDA-120-36S	1-13/32" (36 mm)	555				
JDA-180-38S	1-1/2" (38 mm)	947				

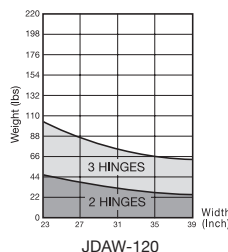
DOUBLE ACTION SPRING HINGE Wall Mount

ALUMINUM

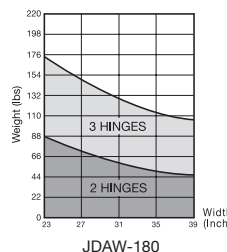
JDAW



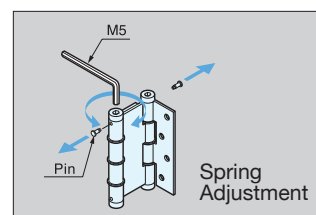
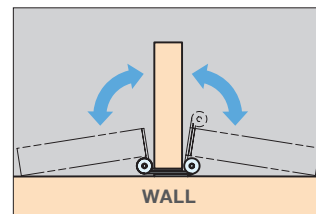
- Spring loaded/self closing.
- Adjustable spring tension.
- Available in 2 sizes/strengths.
- Requires 8 #8 flathead countersunk screws, 3/4" or longer. (not included)



JDAW-120



JDAW-180



Item No.	Door Thickness	Weight (g)	Box (pcs)	Carton (pcs)	Material	Finish
JDAW-120-35A	1-3/8" (35 mm)	350	2	20	Aluminum	Anodized
JDAW-180-35A						



Pure Elegance

Similar to that of a fine handcrafted timepiece, precision is at the heart of the process to blend its gentle edges with an immaculate finish.

A process that requires the expertise of a jeweler. With its intricate design details bestowed upon marine grade stainless steel, Zwei L[®] delivers a simple, natural beauty that compliments a variety of luxurious environments.

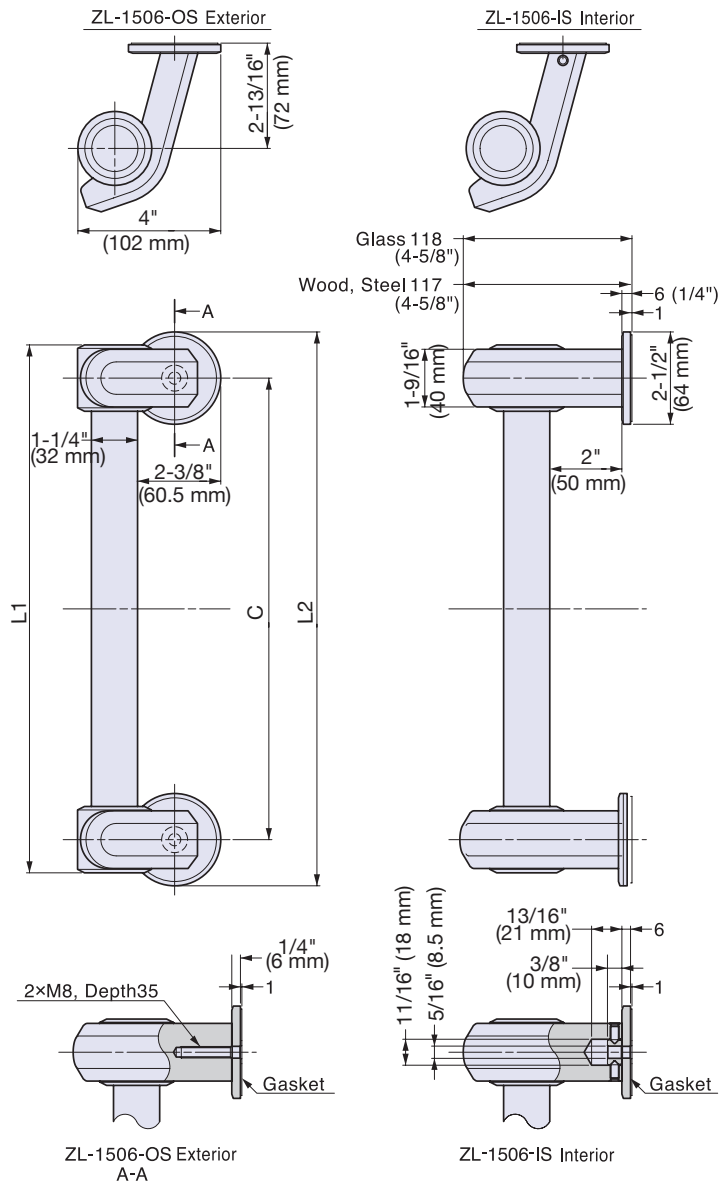
Zwei L[®]
by Sugatsune

Zweil L® PREMIUM DOOR HANDLE



ZL-1506

- Can be installed on Glass Door, Wooden or Metal Frame Door.
- Tolerance of screw pitch is ± 1 mm.
- Base Plate included.



Item No.			Material	Finish/Color	L1	L2	C
Exterior	Interior	Back-to-Back					
ZL-1506-OS-192	ZL-1506-IS-192	ZL-1506-WR-192	316 Stainless Steel	Zweil L	9-5/16" (237)	10-1/16" (256)	7-9/16" (192)
ZL-1506-OS-320	ZL-1506-IS-320	ZL-1506-WR-320			4-3/8" (365)	15-1/8" (384)	12-5/8" (320)
ZL-1506-OS-640	ZL-1506-IS-640	ZL-1506-WR-640			27" (685)	27-3/4" (704)	25-3/8" (640)
ZL-1506-OS-960	ZL-1506-IS-960	ZL-1506-WR-960			39-9/16" (1005)	40-5/16" (1024)	37-13/16" (960)

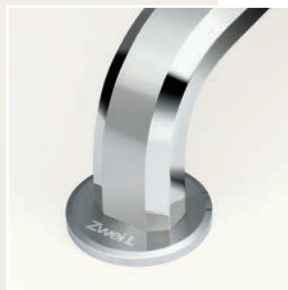
Zweil L[®] PREMIUM DOOR HANDLE



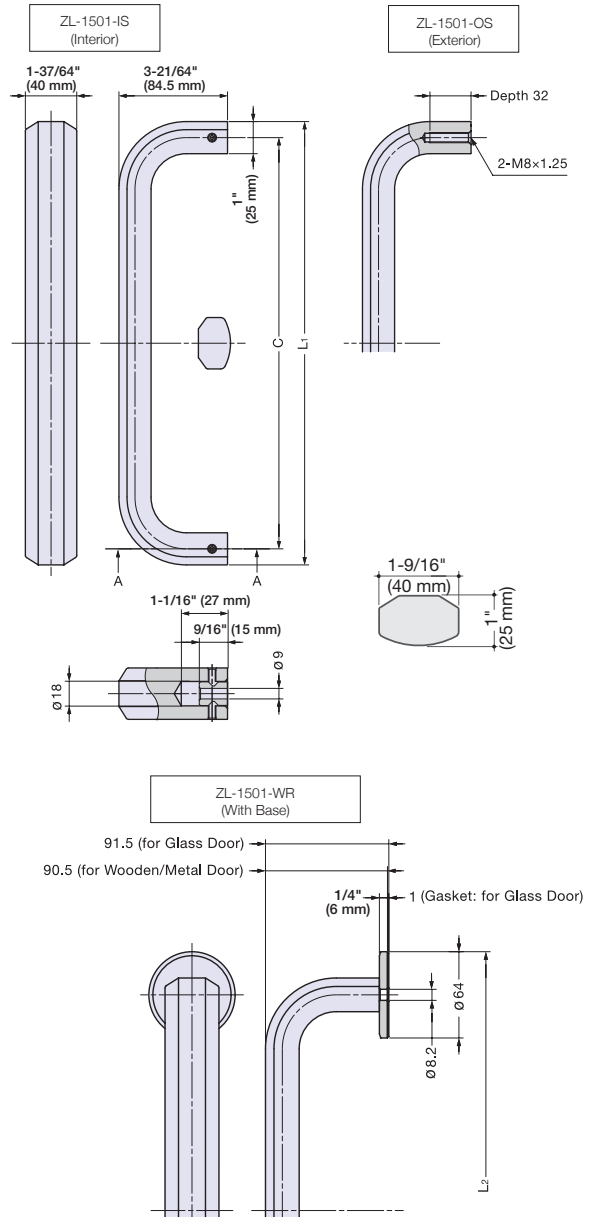
ZL-1501



ZL-1501-WR



- Can be installed on Glass Door, Wooden or Metal Frame Door.
- Tolerance of screw pitch is ± 1 mm.
- Order base ZL1501-R separately if baseplate is needed for exterior/interior.



Item No.				Material	Finish	Dimensions		
Exterior	Interior	Back-to-Back	Back-to-Back with Base			C	L ₁	L ₂
ZL-1501-OS-320	ZL-1501-IS-320	ZL-1501-WN-320	ZL-1501-WR-320	316 Stainless Steel	Zweil L	12-19/32" (320)	13-37/64" (345)	15-1/16" (384)
ZL-1501-OS-640	ZL-1501-IS-640	ZL-1501-WN-640	ZL-1501-WR-640			25-13/64" (640)	26-3/16" (665)	27-3/4" (704)
ZL-1501-OS-960	ZL-1501-IS-960	ZL-1501-WN-960	ZL-1501-WR-960			37-51/64" (960)	38-25/32" (985)	40-5/16" (1024)
*ZL-1501-OS-1280	*ZL-1501-IS-1280	*ZL-1501-WN-1280	*ZL-1501-WR-1280			50-25/64" (1280)	51-3/8" (1305)	52-15/16" (1344)
*ZL-1501-OS-1600	*ZL-1501-IS-1600	*ZL-1501-WN-1600	*ZL-1501-WR-1600			62-63/64" (1600)	63-31/32" (1625)	65-1/2" (1664)
*ZL-1501-OS-1920	*ZL-1501-IS-1920	*ZL-1501-WN-1920	*ZL-1501-WR-1920			75-19/32" (1920)	76-37/64" (1945)	78-1/8" (1984)

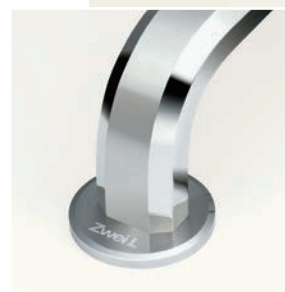
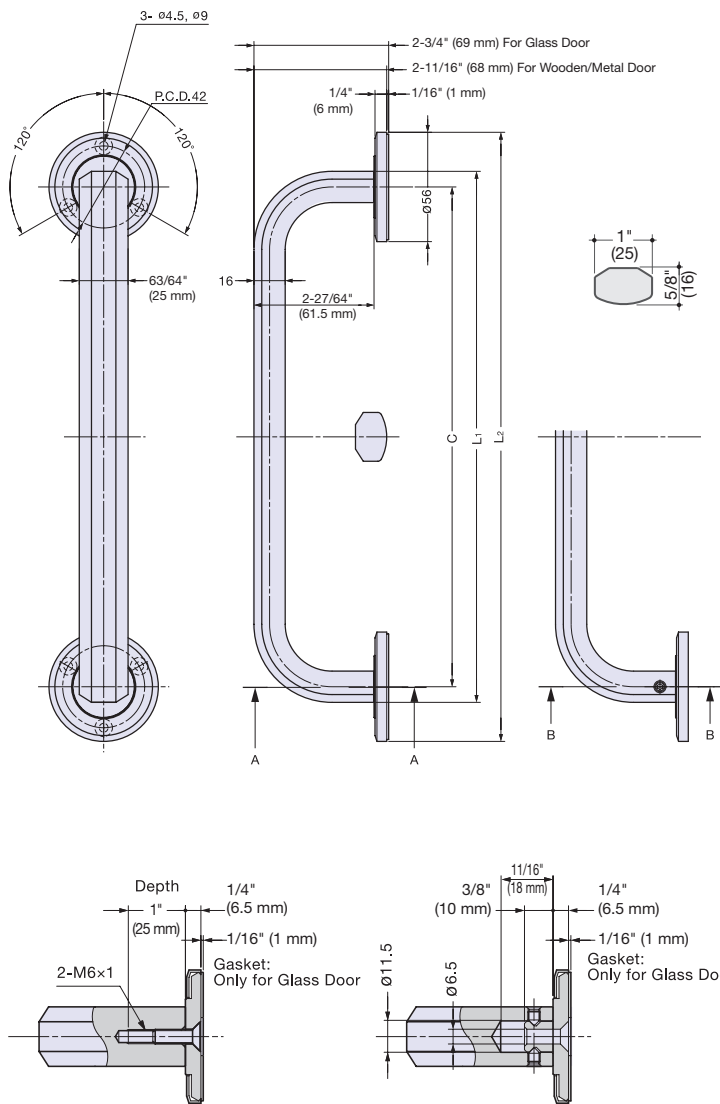
*Length over 960 are special order item.

Zwei L[®] PREMIUM DOOR HANDLE



ZL-1502

- Can be installed on Glass Door, Wooden or Metal Frame Door.
- Tolerance of screw pitch is ± 1 mm.
- Base Plate included.

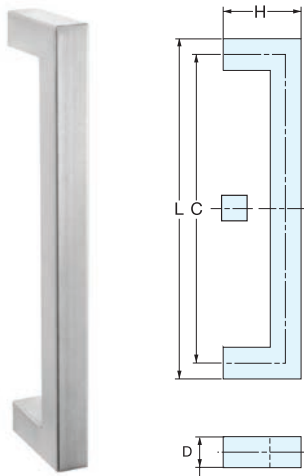


Item No.		Material	Finish	Dimensions			
Exterior	Interior			Back-to-Back	C	L ₁	L ₂
ZL-1502-OS-192	ZL-1502-IS-192	ZL-1502-WR-192	316 Stainless Steel	Zwei L	7-9/16" (192)	8-3/16" (208)	9-3/4" (248)
ZL-1502-OS-320	ZL-1502-IS-320	ZL-1502-WR-320			12-19/32" (320)	13-15/64" (336)	14-13/16" (376)
ZL-1502-OS-640	ZL-1502-IS-640	ZL-1502-WR-640			25-13/64" (640)	25-53/64" (656)	27-3/8" (696)
ZL-1502-OS-960	ZL-1502-IS-960	ZL-1502-WR-960			37-51/64" (960)	38-27/64" (976)	40" (1016)

STAINLESS STEEL DOOR HANDLES



DSI-4400



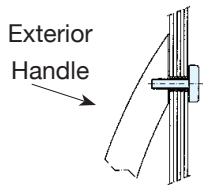
- For use with DSI mounting kits.
- Please specify Interior/Exterior type when ordering:
 Posts for Exterior handles are threaded to accept screws.
 Posts for Interior handles have set screws for DSI mounting kits.

Material	Finish
304 Stainless Steel	Satin

Item No.		D	L	C	H	Box (pcs)	Carton (pcs)
Interior	Exterior						
DSI-4400-15-15I	DSI-4400-15-15E	15	6-1/2" (165)	5-29/32" (150)	2-3/16" (55)	1	10
DSI-4400-15-20I	DSI-4400-15-20E		8-1/2" (215)	7-7/8" (200)			
DSI-4400-15-30I	DSI-4400-15-30E		12-3/8" (315)	11-13/16" (300)			
DSI-4400-20-20I	DSI-4400-20-20E	20	8-11/16" (220)	7-7/8" (200)	2-9/16" (65)		
DSI-4400-20-25I	DSI-4400-20-25E		10-5/8" (270)	9-27/32" (250)			
DSI-4400-20-30I	DSI-4400-20-30E		12-5/8" (320)	11-13/16" (300)			
DSI-4400-30-25I	DSI-4400-30-25E	30	11" (280)	9-27/32" (250)	3-9/16" (90)		
DSI-4400-30-30I	DSI-4400-30-30E		12" (330)	11-13/16" (300)			
DSI-4400-30-35I	DSI-4400-30-35E		14-15/16" (380)	13-25/32" (350)			
DSI-4400-30-60I	DSI-4400-30-60E		24-13/16" (630)	23-5/8" (600)			

MOUNTING KITS FOR DSI SERIES DOOR HANDLES

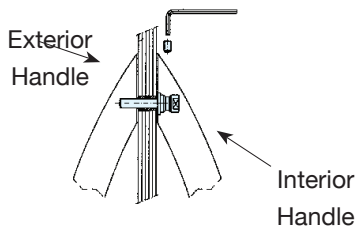
Single handle installation kit for wood/glass/metal doors



Max. Door Thickness:
 DSI-1630-30: 100 mm (4") DSI-3310-30: 60 mm (2-3/8")
 DSI-2000-20: 80 mm (3-1/16") DSI-3330-30: 100 mm (4")
 DSI-2000-30: 80 mm (3-1/16") DSI-4400-15: 60 mm (2-3/8")
 DSI-3310-15: 60 mm (2-3/8") DSI-4400-20: 60 mm (2-3/8")
 DSI-3310-20: 60 mm (2-3/8") DSI-4400-30: 60 mm (2-3/8")

Item No.	For use with
DKIT-2/15-1	DSI-3310-15
DKIT-2/15-2	DSI-4400-15
DKIT-2/20-1	DSI-2000-20/DSI-3310-20
DKIT-2/20-2	DSI-4400-20
DKIT-2/30-1	DSI-1630-30/DSI-2000-30 DSI-3310-30/DSI-3330-30
DKIT-2/30-2	DSI-4400-30

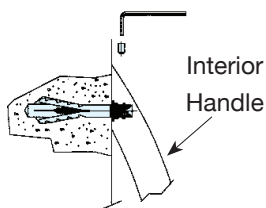
Back-to-back handle installation kit for wood/glass/metal doors



Max. Door Thickness:
 DSI-1630-30: 90 mm (3-1/2") DSI-3310-30: 100 mm (4")
 DSI-2000-20: 100 mm (4") DSI-3330-30: 100 mm (4")
 DSI-2000-30: 45 mm (1-3/4") DSI-4400-15: 100 mm (4")
 DSI-3310-15: 100 mm (4") DSI-4400-20: 100 mm (4")
 DSI-3310-20: 100 mm (4") DSI-4400-30: 100 mm (4")

Item No.	For use with
DKIT-4/15-1	DSI-3310-15
DKIT-4/15-2	DSI-4400-15
DKIT-4/20-1	DSI-2000-20/DSI-3310-20
DKIT-4/20-2	DSI-4400-20
DKIT-4/30-1	DSI-1630-30/DSI-2000-30 DSI-3310-30/DSI-3330-30
DKIT-4/30-2	DSI-4400-30

Single handle installation for concrete walls

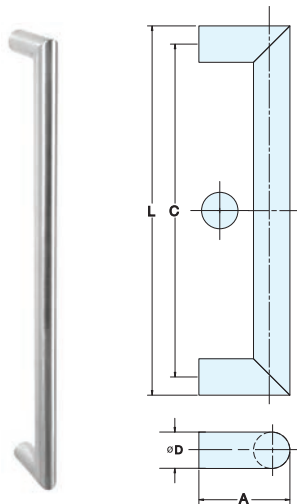


Item No.	For use with
DKIT-5/15	DSI-3310-15/DSI-4400-15
DKIT-5/20	DSI-2000-20/DSI-3310-20 DSI-4400-20
DKIT-5/30	DSI-1630-30/DSI-2000-30 DSI-3310-30/DSI-3330-30 DSI-4400-30

STAINLESS STEEL DOOR HANDLES



DSI-3310



- For use with DSI mounting kits.
- Please specify Interior/Exterior type when ordering:
 Posts for Exterior handles are threaded to accept screws.
 Posts for Interior handles have set screws for DSI mounting kits.

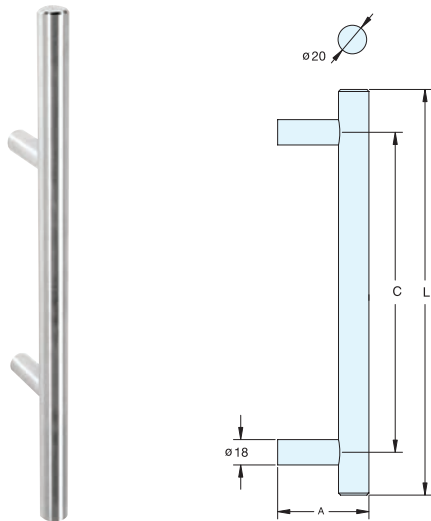
Item No.		D	L	C	A	Box (pcs)	Carton (pcs)
Interior	Exterior						
DSI-3310-15-15I	DSI-3310-15-15E	15	6-1/2" (165)	5-29/32" (150)	2-3/16" (55)	1	10
DSI-3310-15-20I	DSI-3310-15-20E		8-1/2" (215)	7-7/8" (200)			
DSI-3310-15-30I	DSI-3310-15-30E		12-3/8" (315)	11-13/16" (300)			
DSI-3310-20-20I	DSI-3310-20-20E	20	8-11/16" (220)	7-7/8" (200)	2-9/16" (65)	1	10
DSI-3310-20-25I	DSI-3310-20-25E		10-5/8" (270)	9-27/32" (250)			
DSI-3310-20-30I	DSI-3310-20-30E		12-5/8" (320)	11-13/16" (300)			
DSI-3310-30-25I	DSI-3310-30-25E	30	11" (280)	9-27/32" (250)	3-9/16" (90)	1	10
DSI-3310-30-30I	DSI-3310-30-30E		12" (330)	11-13/16" (300)			
DSI-3310-30-35I	DSI-3310-30-35E		14-15/16" (380)	13-25/32" (350)			
DSI-3310-30-60I	DSI-3310-30-60E		24-13/16" (630)	23-5/8" (600)			

Material	Finish
304 Stainless Steel	Satin

STAINLESS STEEL DOOR HANDLES



DSI-2000



- For use with DSI mounting kits.
- Please specify Interior/Exterior type when ordering:
 Posts for Exterior handles are threaded to accept screws.
 Posts for Interior handles have set screws for DSI mounting kits.

Material	Finish
304 Stainless Steel	Satin

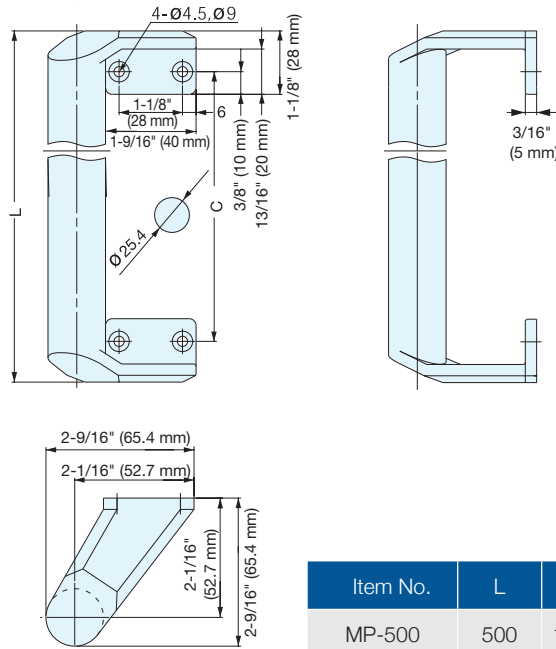
Item No.		L	C	A	Weight (kg)		Box (pcs)	Carton (pcs)
Interior	Exterior				Interior	Exterior		
DSI-2000-20-20I	DSI-2000-20-20E	11-13/16" (300)	7-7/8" (200)	2-9/16" (65)	0.89	0.89	2	10
DSI-2000-20-25I	DSI-2000-20-25E	15-3/4" (400)	9-7/8" (250)		1.11	1.11		
DSI-2000-20-30I	DSI-2000-20-30E	17-3/4" (450)	11-13/16" (300)		1.26	1.26		
DSI-2000-20-50I	DSI-2000-20-50E	27-9/16" (700)	19-11/16" (500)		0.54	0.54		

Item No.		L	C	A	Weight (kg)		Box (pcs)	Carton (pcs)
Interior	Exterior				Interior	Exterior		
DSI-2000-30-25I	DSI-2000-30-25E	21-5/8" (500)	9-7/8" (250)	3-9/16" (90)	1.34	1.11	2	10
DSI-2000-30-35I	DSI-2000-30-35E	25-9/16" (650)	13-3/4" (350)		1.22	1.20		
DSI-2000-30-45I	DSI-2000-30-45E	29-1/2" (750)	17-3/4" (450)		1.34	1.29		
DSI-2000-30-60I	DSI-2000-30-60E	35-7/16" (900)	23-5/8" (600)		1.50	1.50		

LARGE STAINLESS STEEL HANDLE



MP SERIES



- Ideal for harsh and high corrosive environments.
- Designed for machinery applications where a heavy duty handle is required.

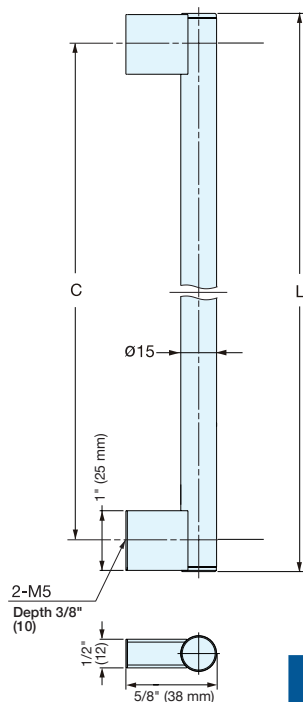
Material	Finish
316 Stainless Steel	Mirror

Item No.	L	C	Weight (g)	Box (pcs)	Carton (pcs)
MP-500	500	18-17/64" (464)	1000	2	20
MP-750	750	28-7/64" (714)	1300		16
MP-1000	1000	37-61/64" (964)	1600		12

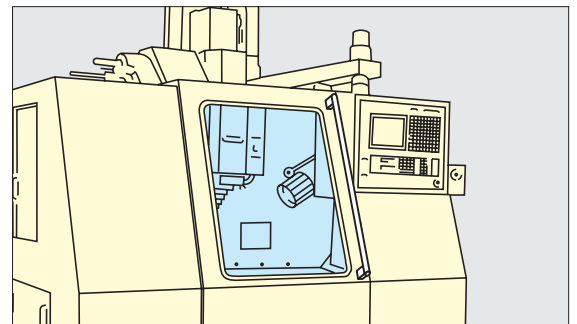
LARGE STAINLESS STEEL HANDLE



RH-760



- Low profile design.
- Designed for machinery applications where a heavy duty handle is required.
- Recommended screw size: M5.



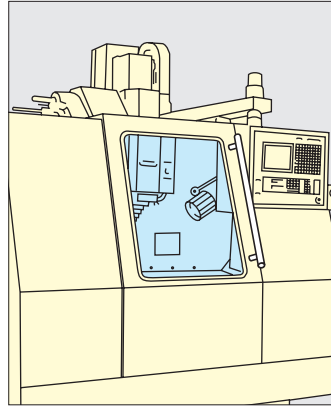
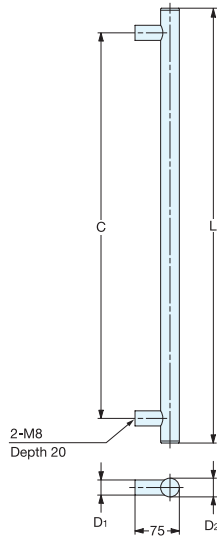
Material	Finish
304 Stainless Steel	Satin

Item No.	L	C	Weight (g)	Box (pcs)	Carton (pcs)
RH-760	786	29-59/64" (760)	340	20	200

LARGE STAINLESS STEEL HANDLE



SSH SERIES



- Ideal in high corrosive environments and machinery applications.
- Designed for applications where a heavy duty handle is required.
- Recommended screw size: M8.

Material	Finish
304 Stainless Steel	Satin

Item No.	L	C	D ₁	D ₂	Weight (g)	Box (pcs)	Carton (pcs)
SSH-2540	400	316 (12-7/16")	19	25	665	10	100
SSH-2560	600	516 (20-5/16")					
SSH-2580	800	716 (28-3/16")					
SSH-3240	400	316 (12-7/16")	25	32	1175	5	50
SSH-3260	600	516 (20-5/16")					
SSH-3280	800	716 (28-3/16")					

LARGE ALUMINUM HANDLE



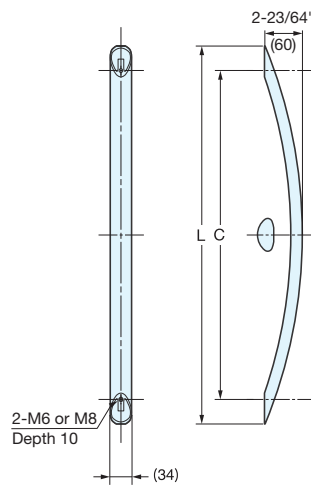
SOR SERIES



Black (BL)



Anodized (S)



- Ideal for machinery applications where a large handle is required.
- Recommended screw size:
M6 (400 and 600)
M8 (800)

Material	Finish
Aluminum	Anodized (S), Black (BL)

Item No.	L	C	Weight (g)	Box (pcs)	Carton (pcs)
SOR-400/S SOR-400/BL	15-23/64" (390)	13-3/16" (335)	385	30	300
SOR-600/S SOR-600/BL	23-5/8" (600)	20-35/64" (522)	495	20	200
SOR-800/S SOR-800/BL	32-1/8" (860)	27-61/64" (710)	605	15	150

SLIDING DOOR HANDLE

STAINLESS
304
STEEL

DSI-3250



Matte Black

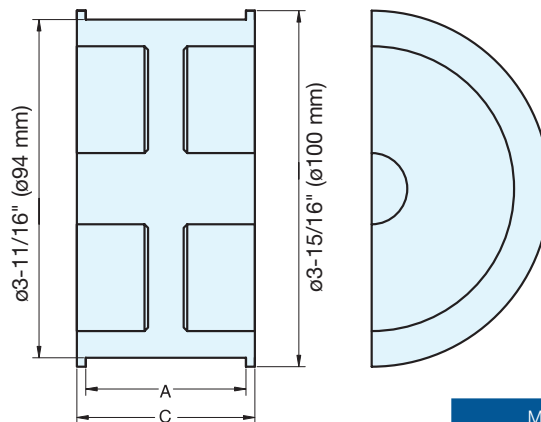


Satin



Antique Brass

- Contemporary handle design that can be accessed from door front, back, or edge.
- Requires adhesive for installation, such as 2-part epoxy, not supplied.

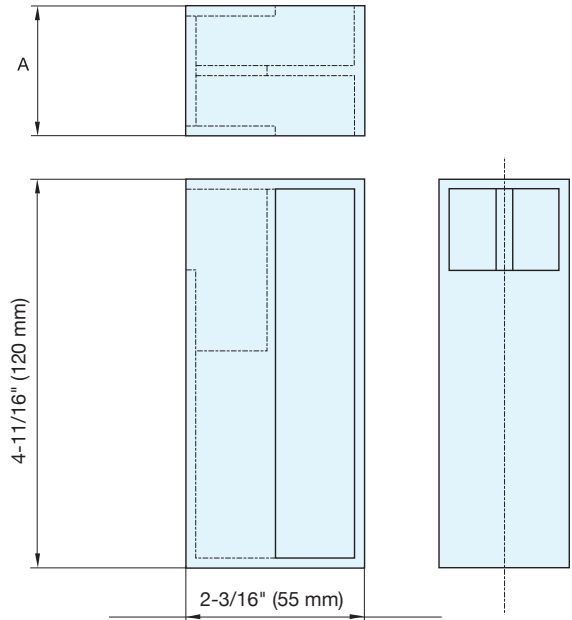


Material	Finish
304 Stainless Steel	Satin
Brass (AB model only)	Antique Brass (AB)

Item No.	C	A	Weight (g)	Box (pcs)	Carton (pcs)
DSI-3250-12-1	1 1/16" (17 mm)	1/2" (12.7 mm)	280	1	10
DSI-3250-35	1-17/32" (39 mm)	1-3/8" (35 mm)	440		
DSI-3250-35-AB					
DSI-3250-35-BL					
DSI-3250-45	1-15/16" (49 mm)	1-49/64" (45.0 mm)	550		
DSI-3250-45-AB					
DSI-3250-45-BL					
DSI-3250-50	2-1/8" (54 mm)	1-31/32" (50 mm)	670		

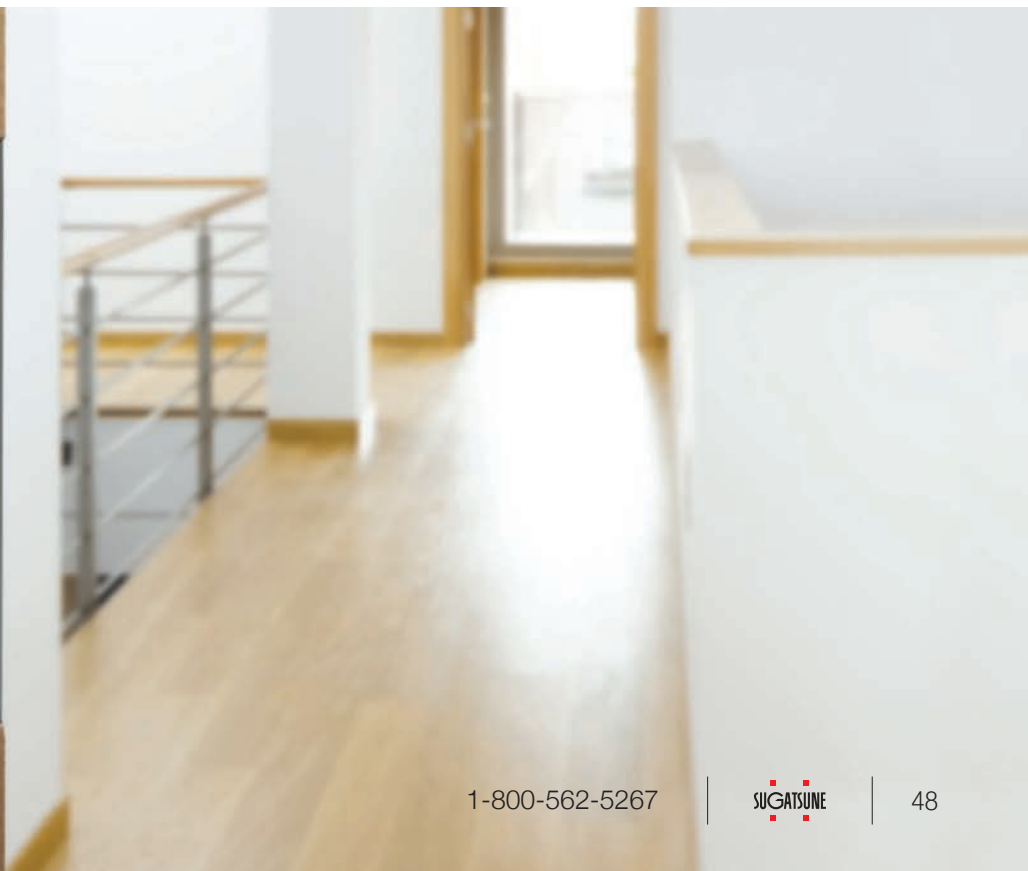


- Contemporary handle design that can be accessed from door front, back, or edge.
- Requires adhesive for installation, such as 2-part epoxy, not supplied.



Item No.	A	Weight (g)	Box (pcs)	Carton (pcs)
DSI-4251-35	1-3/8" (35)	490	1	10
DSI-4251-38	1-1/2" (38)	515		
DSI-4251-40	1-9/16" (40)	530		
DSI-4251-43	1-11/16" (43)	550		
DSI-4251-45	1-3/4" (44.5)	570		
DSI-4251-50	1-31/32" (50)	590		

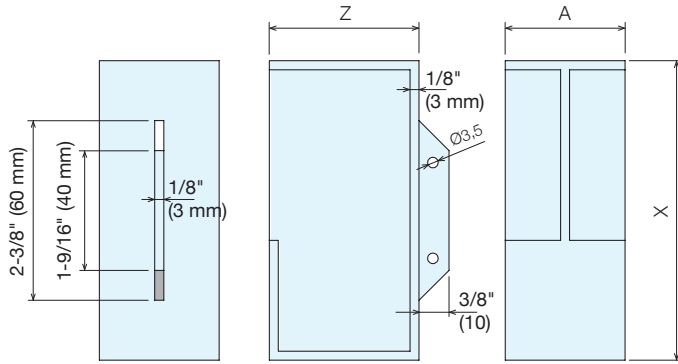
Material	Finish
304 Stainless Steel	Satin



SLIDING DOOR HANDLE



DSI-4254



- Contemporary handle design that can be accessed from door front, back, or edge.
- Requires adhesive for installation, such as 2-part epoxy, not supplied.



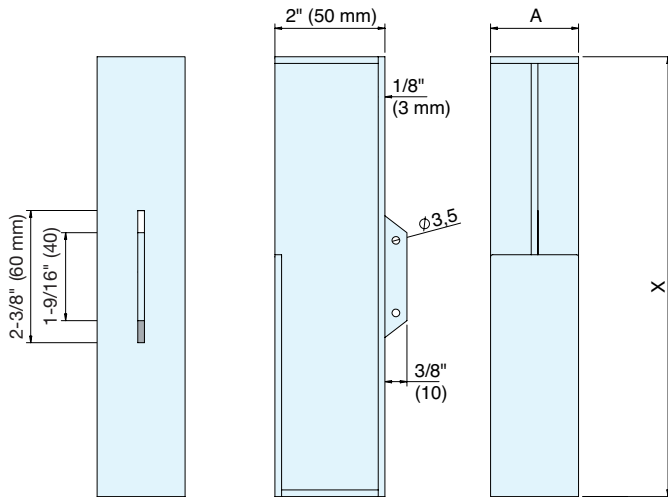
Item No.	A	X	Z	Weight (g)	Box (pcs)	Carton (pcs)
DSI-4254-100-35	1-3/8" (35)	3-15/16" (100)	2" (50)	293	1	10
DSI-4254-100-35-BL	1-3/8" (35)	3-15/16" (100)	2" (50)	293		
DSI-4254-100-45	1-3/4" (45)	3-15/16" (100)	2" (50)	345		
DSI-4254-100-45-BL	1-3/4" (45)	3-15/16" (100)	2" (50)	345		
DSI-4254-200-35	1-3/8" (35)	7-7/8" (200)	3-3/8" (85)	746		
DSI-4254-200-45	1-3/4" (45)	7-7/8" (200)	3-3/8" (85)	822		
DSI-4254-300-35	1-3/8" (35)	11-13/16" (300)	3-3/8" (85)	1110		
DSI-4254-300-45	1-3/4" (45)	11-13/16" (300)	3-3/8" (85)	1231		
DSI-4254-500-35	1-3/8" (35)	19-11/16" (500)	3-3/8" (85)	1795		
DSI-4254-500-45	1-3/4" (45)	19-11/16" (500)	3-3/8" (85)	2019		

Material	Finish
304 Stainless Steel	Satin, Black (BL)

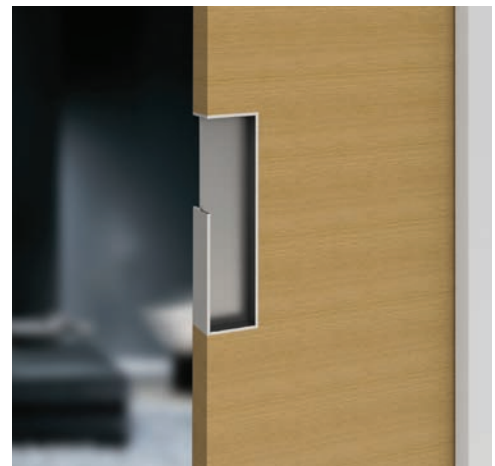
SLIDING DOOR HANDLE



DSI-4254S



- Contemporary handle design that can be accessed from door front, back, or edge.
- Requires adhesive for installation such as 2-part epoxy, not supplied.



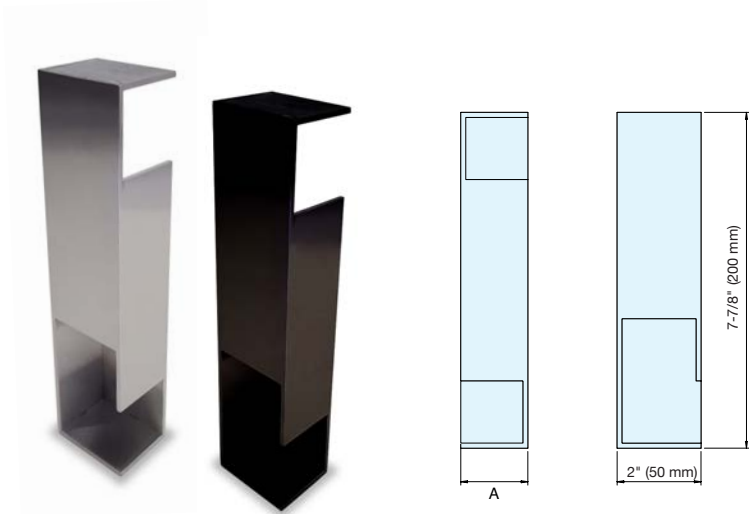
Item No.	A	X	Weight (g)	Box (pcs)	Carton (pcs)
DSI-4254S200-35	1-3/8" (35)	7-7/8" (200)	541	1	10
DSI-4254S200-45	1-3/4" (45)	7-7/8" (200)	626		
DSI-4254S300-35	1-3/8" (35)	11-13/16" (300)	811		
DSI-4254S300-45	1-3/4" (45)	11-13/16" (300)	941		

Material	Finish
304 Stainless Steel	Satin

SLIDING DOOR HANDLE



DSI-4257



- Contemporary handle design that can be accessed from door front, back, or edge.
- Requires adhesive for installation such as 2-part epoxy, not supplied.



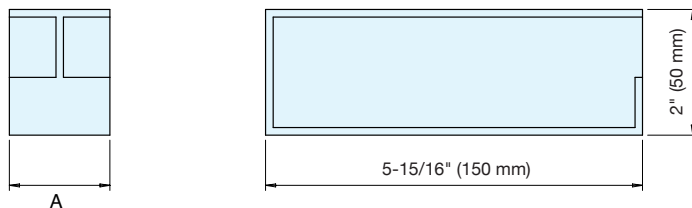
Material	Finish
304 Stainless Steel	Satin, Black (BL)

Item No.	Finish	A	Weight (g)	Box (pcs)	Carton (pcs)
DSI-4257-35	Satin	1-3/8" (35)	528	1	8
DSI-4257-35-BL	Black				
DSI-4257-45	Satin	1-3/4" (45)	625		
DSI-4257-45-BL	Black				

SLIDING DOOR HANDLE



DSI-4258



- Contemporary handle design that can be accessed from door front, back, or edge.
- Requires adhesive for installation, such as 2-part epoxy, not supplied.
- Unique, horizontal design.



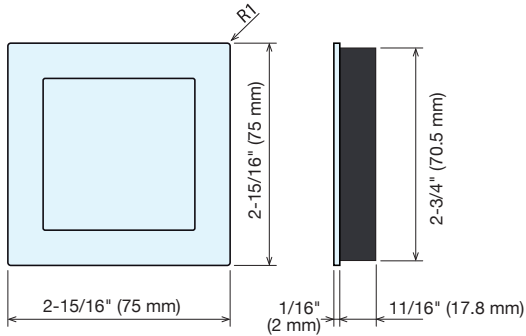
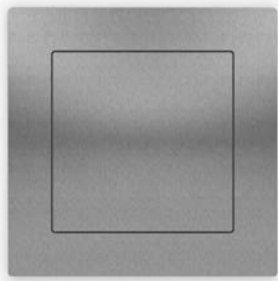
Material	Finish
304 Stainless Steel	Satin, Black (BL)

Item No.	W	H	A	Weight (g)	Box (pcs)	Carton (pcs)
DSI-4258-35	5-15/16" (150)	2" (50)	1-3/8" (35)	496	1	18
DSI-4258-35-BL			1-3/4" (45)	542		
DSI-4258-45						
DSI-4258-45-BL						

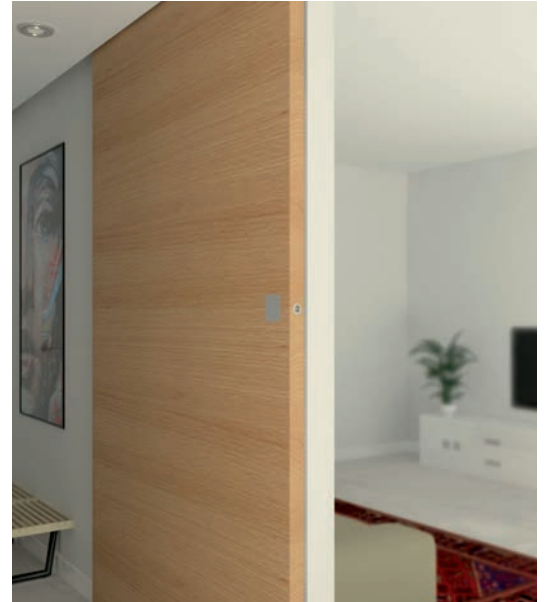
RECESSED PULLS

STAINLESS
304
STEEL

DSI-4501



- Modern, unobtrusive design.
- 1/16" (2 mm) projection, ideal for furniture or pocket doors.

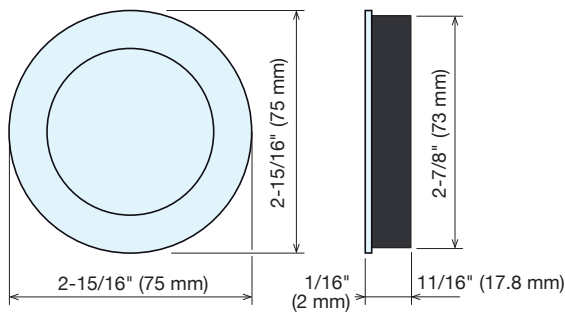
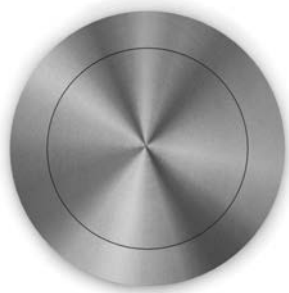


Item No.	Weight (g)	Box (pcs)	Carton (pcs)	Material	Finish
DSI-4501-75	141	10	40	304 Stainless Steel, Plastic, Steel	Satin

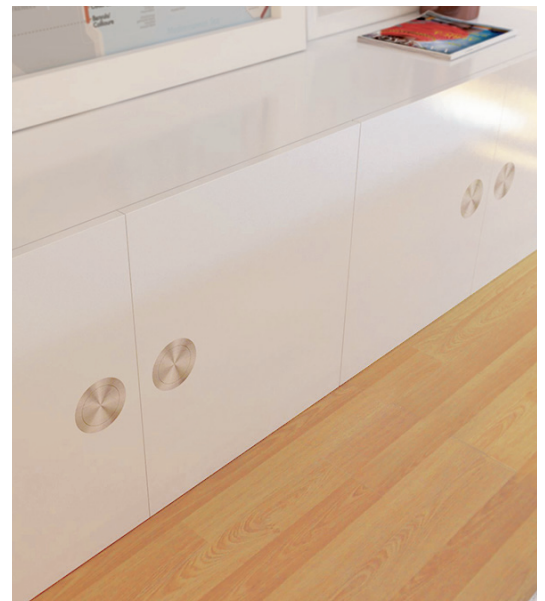
RECESSED PULLS

STAINLESS
304
STEEL

DSI-4502



- Modern, unobtrusive design.
- 1/16" (2 mm) projection, ideal for furniture or pocket doors.

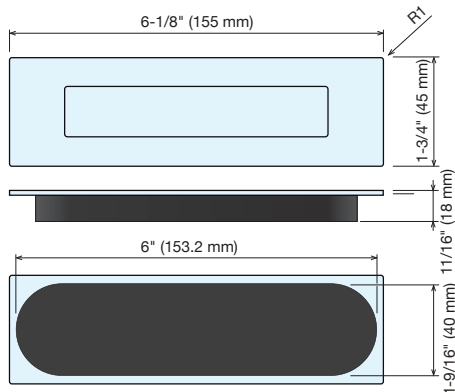
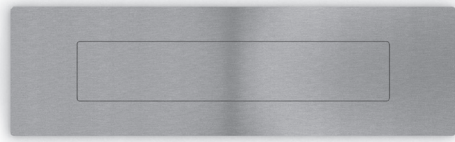


Item No.	Weight (g)	Box (pcs)	Carton (pcs)	Material	Finish
DSI-4502-75	122	10	40	304 Stainless Steel, Plastic, Steel	Satin

RECESSED PULLS



DSI-4503



- Modern, unobtrusive design.
- 1/16" (2 mm) projection, ideal for furniture or pocket doors.

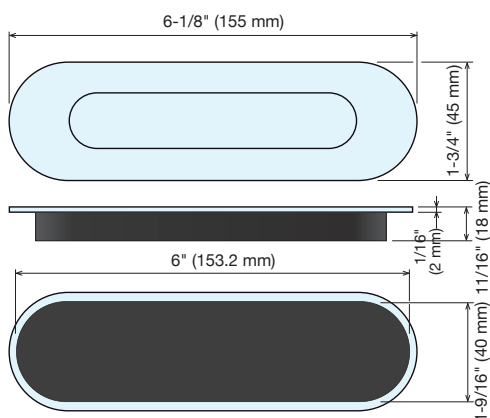
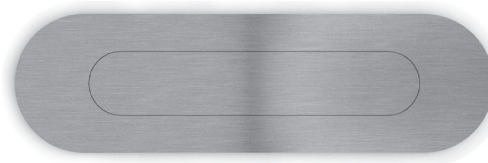


Item No.	Weight (g)	Box (pcs)	Carton (pcs)	Material	Finish
DSI-4503-155	173	10	40	304 Stainless Steel, Plastic, Steel	Satin

RECESSED PULLS



DSI-4504



- Modern, unobtrusive design.
- 1/16" (2 mm) projection, ideal for furniture or pocket doors.



Item No.	Weight (g)	Box (pcs)	Carton (pcs)	Material	Finish
DSI-4504-155	172	10	40	304 Stainless Steel, Plastic, Steel	Satin

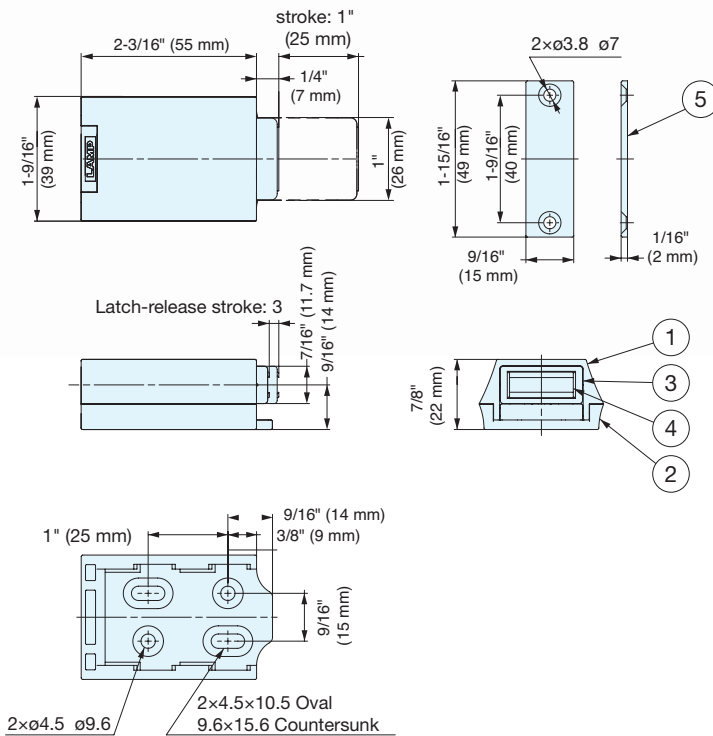
PUSH-TO-OPEN DOOR LATCH

ML-ZN80



ML-ZN80WT

ML-ZN80BL



The Magnetic Touch

The mighty **ML-ZN80 Push-To-Open Door Latch** featuring a strong 11 lbs push force, ideal for large doors up to 275 lbs, it features a magnet that allows tolerance with 1.5° swivel. The hidden mounting screw design offers a clean appearance and easy two part installation, available in two finishes.



The only Push-To-Open Door Latch of this category, available in the market.

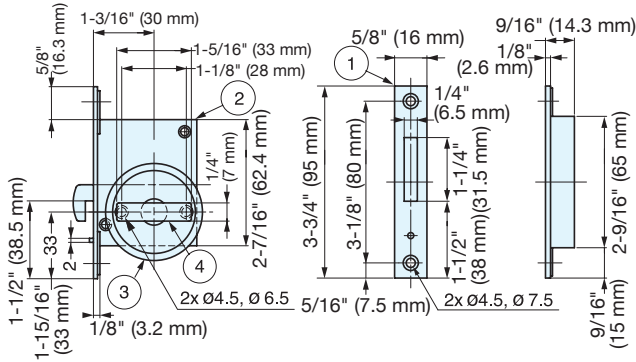
- For doors up to 36" x 96". Ideal for use with the HES3D-E190/W190 Concealed Door Hinge Series.
- Push force of 11 lbs. Can push up to 275 lbs door.
- Hidden Mounting Screw Design for clean appearance and easy installation.
- Passed 100,000 open/close private cycle test.

No.	Part Name	Material	Finish/Color
①	Body	Zinc Alloy	White (WT), Black (BL)
②	Mounting Plate		
③	Latch	Plastic (PA)	-
④	Magnet	Ferrite	
⑤	Strike Plate	Stainless Steel	Polished

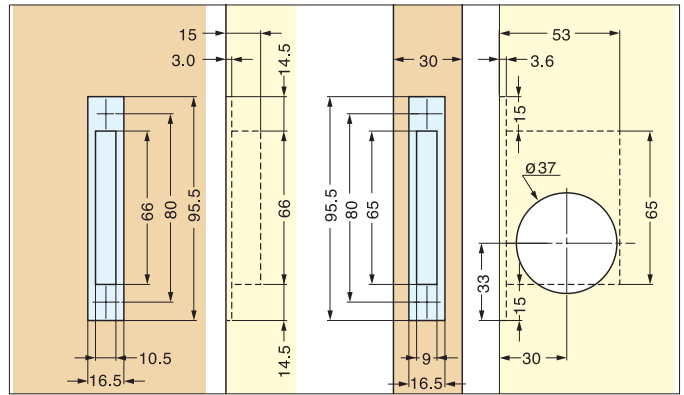
Item No.	Magnetic Force	Push Force	Weight (g)	Max. Door Specs (Reference)			Box (pcs)	Carton (pcs)
				Height	Width	Weight		
ML-ZN80WT	6.6 lbs (3 kg)	11 lbs (5 kg)	160	96-1/16" (2440 mm)	36" (915 mm)	275 lbs. (125 kg)	10	40
ML-ZN80BL								

SLIDING DOOR LATCH

HC-30R



- Sliding door latch for thick doors 1-1/8"~2" (28-52 mm).
- Thumbturn on both sides for easy access.
- Slim design suitable for various applications.
- Non-Handed.
- For sliding doors only.
- Includes screws.

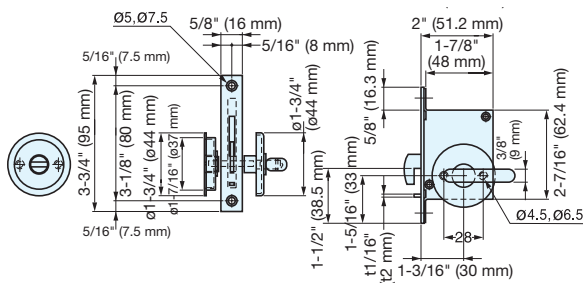


Item No.	Weight (g)	Box (pcs)	Carton (pcs)
HC-30R	283	5	50

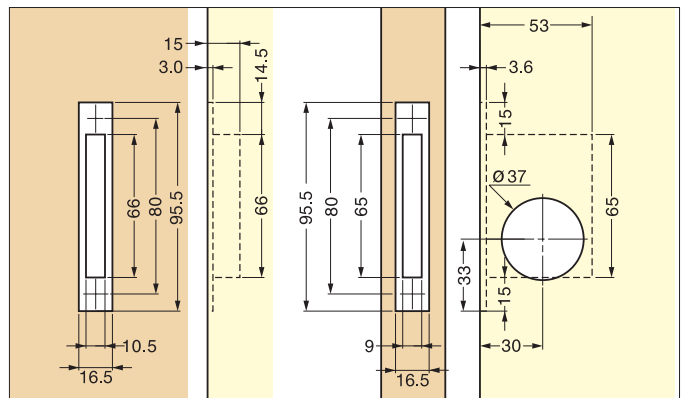
Material	Finish
304 Stainless Steel, Steel, Zinc Alloy	Satin

SLIDING DOOR LATCH

HC-30L



- Sliding door latch with large lever for easy operation.
- Slim design suitable for various applications.
- Non-handed.
- For door thickness 1-1/8"~1-7/8" (28~48 mm).
- For sliding doors only.

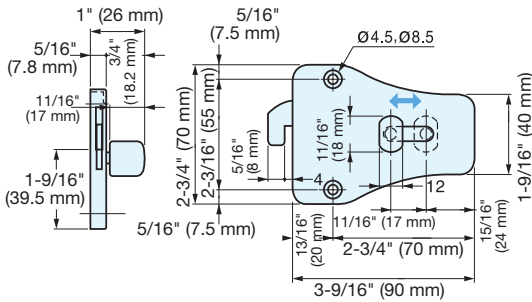
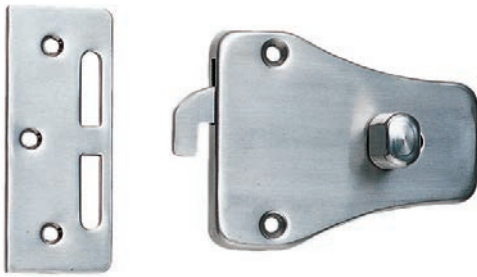


Item No.	Weight (g)	Box (pcs)	Carton (pcs)
HC-30L	309	5	50

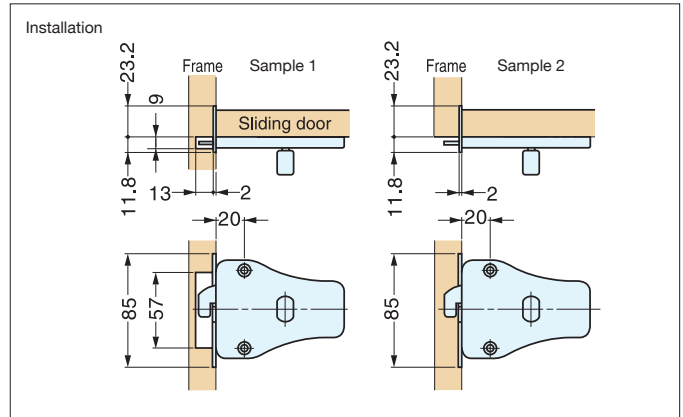
Material	Finish
304 Stainless Steel, Brass, Zinc Alloy	Satin

SLIDING DOOR LATCH

HC-70



- Surface mount type door latch.
- Slide knob to lock and unlock.
- Large knob for easy operation.
- Non-handed.
- Slim design suitable for various applications.

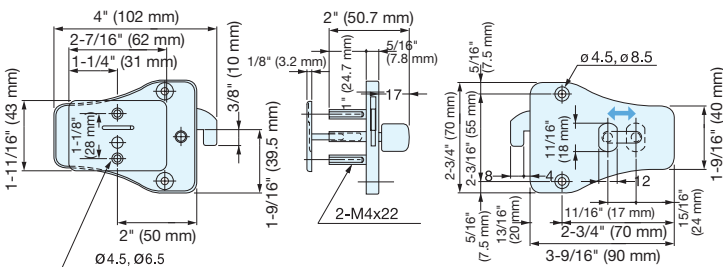


Item No.	Weight (g)	Box (pcs)	Carton (pcs)
HC-70	197	5	50

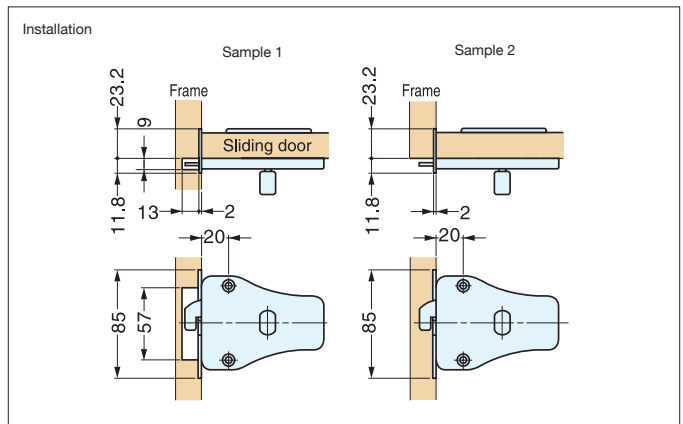
Material	Finish
304 Stainless Steel, Brass	Satin

SLIDING DOOR LATCH (WITH INDICATOR)

HC-70H



- Sliding latch with indicator.
- Slide knob to lock and unlock, large knob for easy operation.
- Non-handed.
- Slim design suitable for various applications.
- For door thickness 1-1/32"~1-9/16" (26~40 mm).

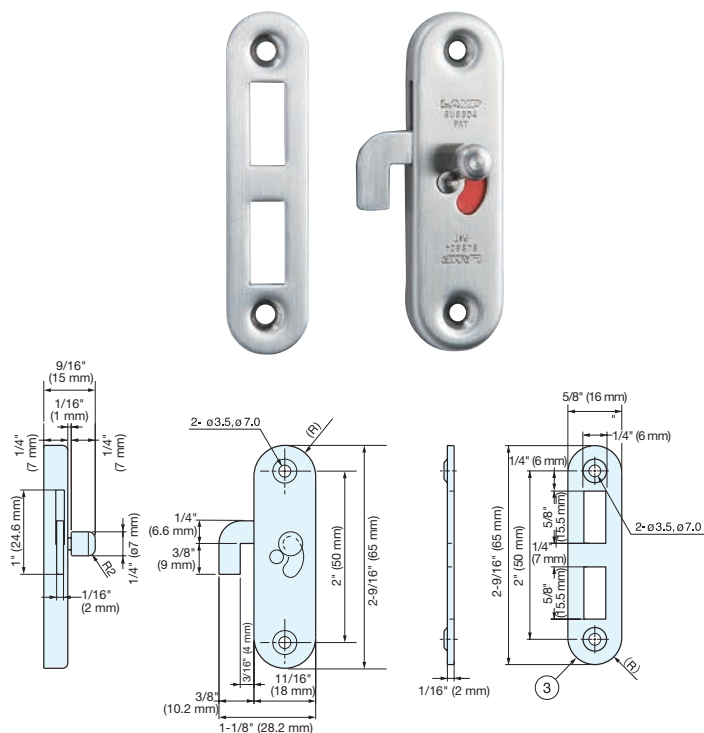


Item No.	Weight (g)	Box (pcs)	Carton (pcs)
HC-70H	297	5	50

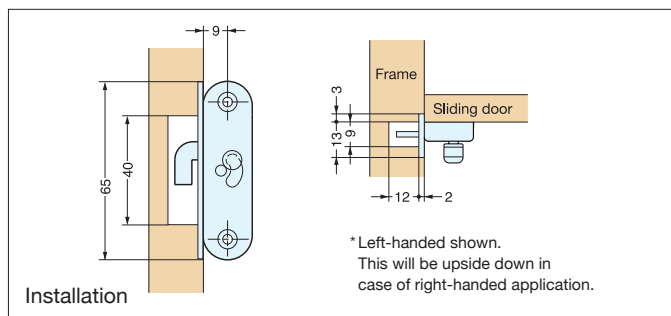
Material	Finish
304 Stainless Steel, Brass	Satin

SLIDING DOOR LATCH

HC-65



- Surface mount type door latch with noticeable indicator.
- Extra slim and compact design.
- Simply slide up and down the knob to lock/unlock.
- Non-handed.

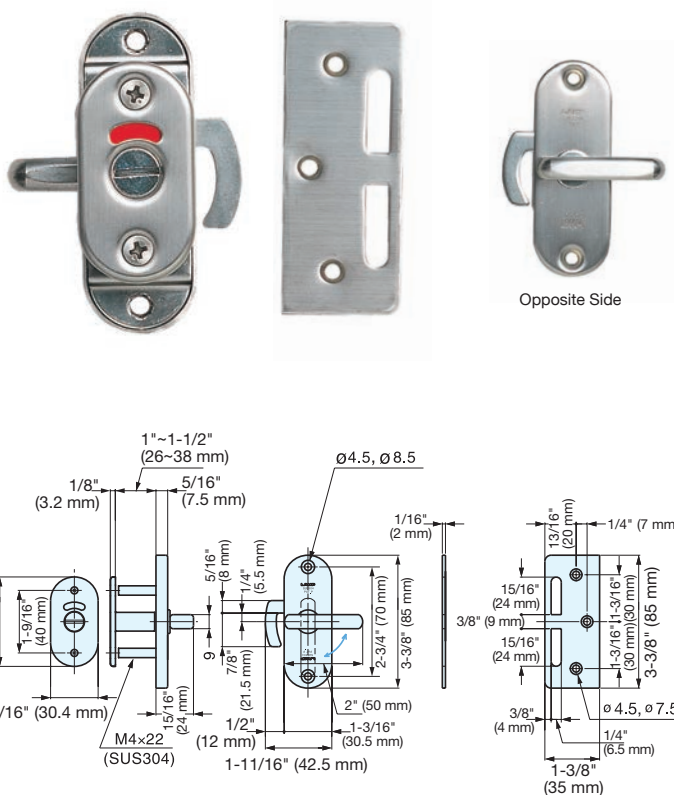


Material	Finish
304 Stainless Steel, Brass	Satin

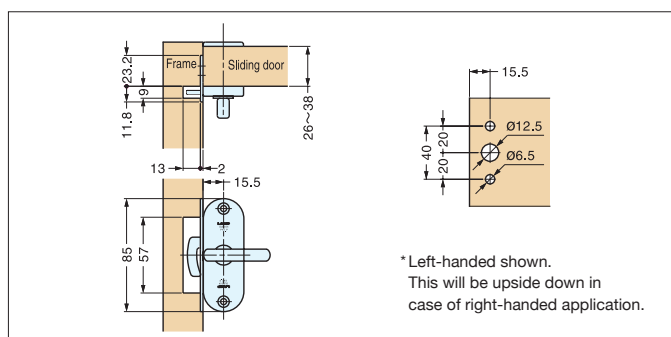
Item No.	Weight (g)	Box (pcs)	Carton (pcs)
HC-65	41	20	200

SLIDING DOOR LATCH

HHC-85



- Door latch with indicator, large lever for easy operation.
- Slim design suitable for various applications.
- Non-handed.
- For door thickness 1-1/32" ~ 1-1/2" (26~38 mm).



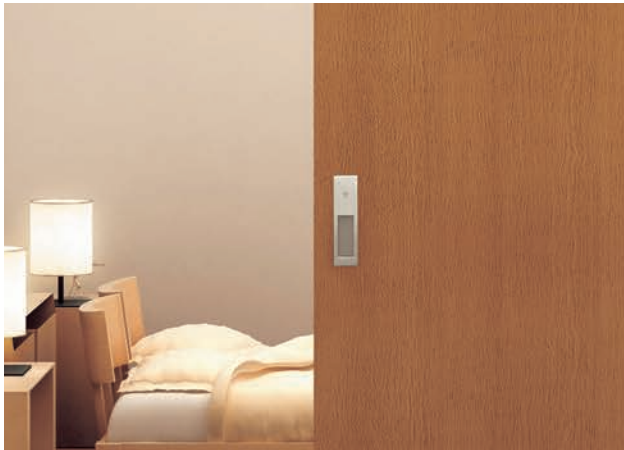
Material	Finish
304 Stainless Steel, Brass	Satin

Item No.	Weight (g)	Box (pcs)	Carton (pcs)
HHC-65	120	6	30

SLIDING DOOR LATCH

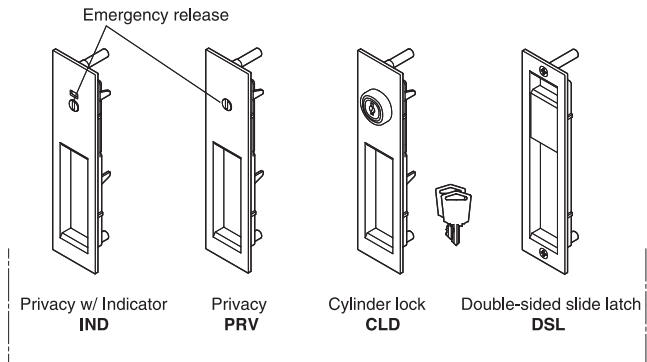


HC-3051 SERIES



- Recessed latch handle for wooden sliding doors.
- 4 model types available.
- The backset can be installed at any position between 1-3/16"~2" (30 mm~51 mm) from the door edge.
- Applicable door thickness: 1-3/8"~1-3/4" (35mm ~ 45 mm). 3 different lengths of spindles and 2 different lengths of screw are included. Initial setting is for 1-1/2" (38 mm) door.

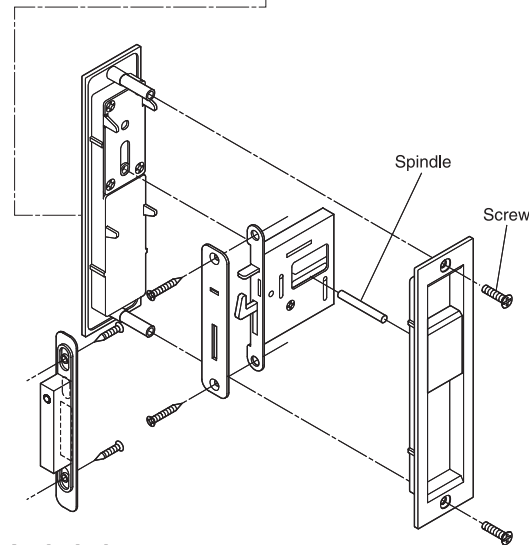
■ Latch Body & Strikeplate



■ Latch Faceplates



The opposite face of every model has a slide handle, as shown for the DSL model.



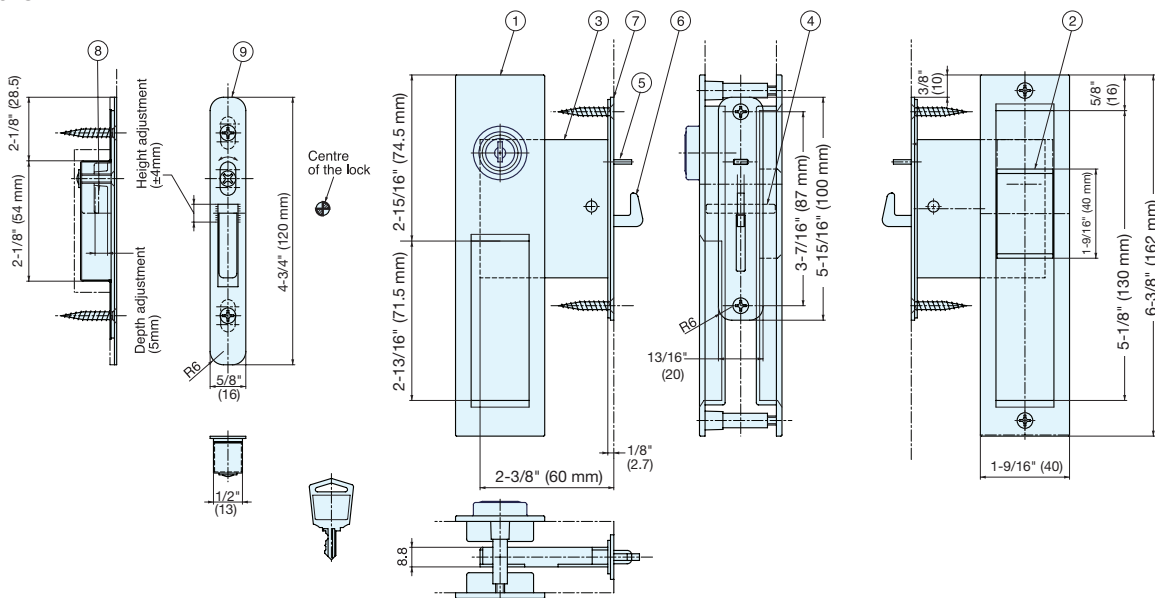
■ Parts Included

- Spindles Ø4×35, Ø4×39, Ø4×43
- Countersunk head tapping screw 3.5×25 (SUS) for strike & latch body
- Countersunk head screw M4×20, M4×25 (SUS) for latch face plates.

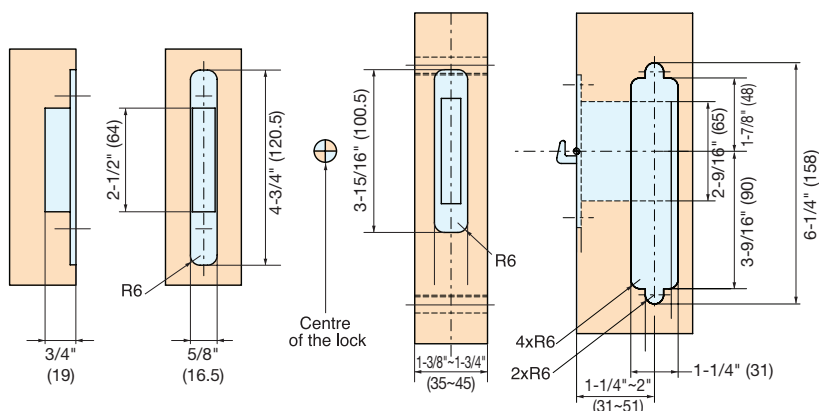
Item Name	Type	Weight (g)	Box (pcs)	Carton (pcs)
HC-3051-PRV-NI	Privacy	531	1	20
HC-3051-IND-NI	Privacy w/ Indicator	535		
HC-3051-CLD-NI	Cylinder lock	557		
HC-3051-DSL-NI	Double Sided Slide	511		

HC-3051-CLD-NI is shown

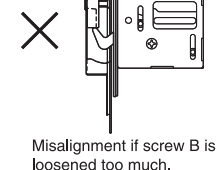
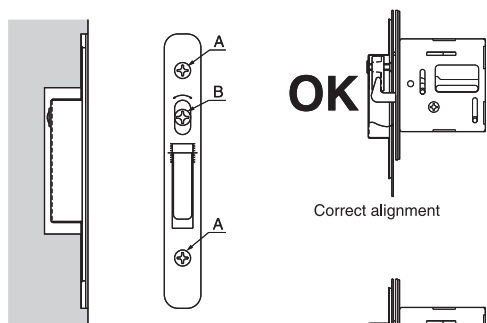
■ Dimensions



■ Cut Out Dimensions

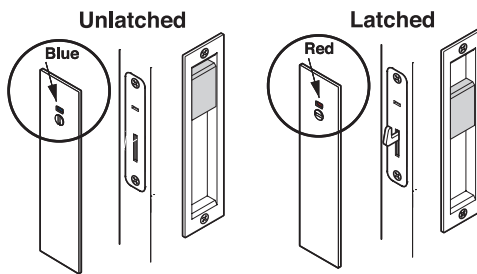


■ Adjustment to the strikeplate



- Vertical adjustment
Loosen screw A and adjust the back side case. And then re-fasten screw A.
- Horizontal adjustment
Loosen screw B and adjust the gap between door and door frame.

■ Checking the operation of latch



Emergency opening (only for IND and PRV models)



No.	Part Name	Material	Finish
①	Base	Zinc Alloy	Nickel
②	Knob		
③	Latch Body	Steel	Plain
④	Spindle		
⑤	Trigger		Polished
⑥	Bolt	304 Stainless Steel	Polished
⑦	Front Plate (Latch)		Satin
⑧	Strike	Steel	Plain
⑨	Front Plate (Strike)	304 Stainless Steel	Stain

DOOR STOPPERS

ZL-1801



- Supplied with stainless steel hex. bolt (M8 × 75), concrete anchor (for M8, ø14 mm hole), stainless steel carriage bolt (M8 × 50) and allen key.

Material	Finish
304 Stainless Steel, Rubber	Zwei L, Black

SMDH

- Can be wall or floor mounted.



Material	Finish
Polycarbonate	Brown, Ivory

ZL-1801



- Supplied with stainless steel wood screws (4.1 × 32) and concrete anchor (for wood screw 4.1, ø6 mm hole).
- Available in 2 sizes:
 - **ZL-1802-72** L=2-53/64" (72 mm)
 - **ZL-1802-96** L=3-25/32" (96 mm)

Material	Finish
304 Stainless Steel, Rubber	Zwei L, Black

KMDH

- Can be wall or floor mounted.



Material	Finish
Polycarbonate	Brown, Ivory

DSD-02

- Floor mount type.
- Available in 2 sizes.



Material	Finish
304 Stainless Steel Rubber	Satin, Black

DSD-03

- Wall mount type.
- Available in 3 sizes.



Material	Finish
304 Stainless Steel Rubber	Satin, Black

SMDH

- Features clear acrylic bumper.

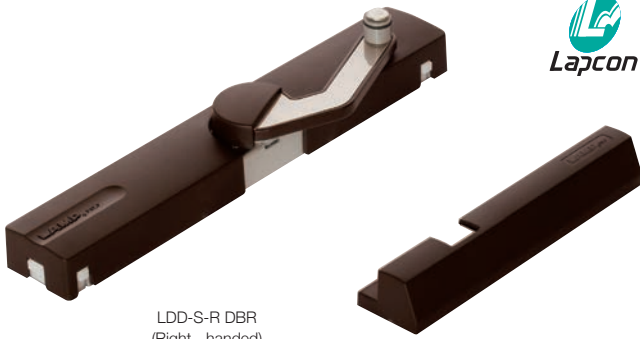


Material	Finish
304 Stainless Steel, Soft Acrylic	Satin

DOOR DAMPER (SURFACE MOUNT)



LDD-S

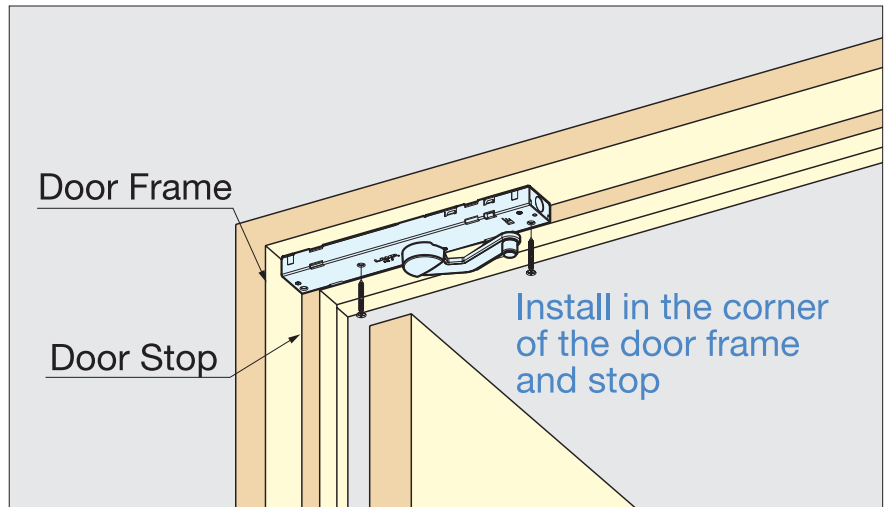
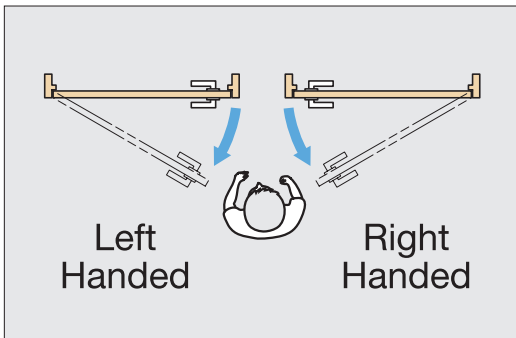
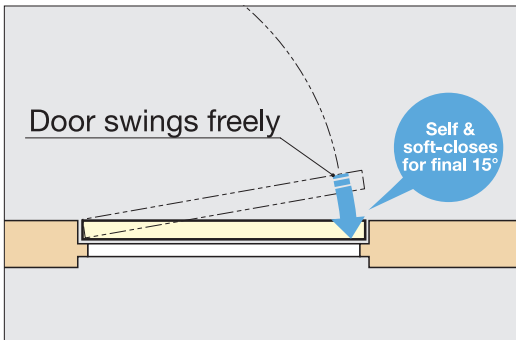


LDD-S-R DBR
(Right - handed)

- Door damper unit for interior, swinging doors.
- Grips door at final 15° and softly, self-closes doors more gently compared to other door closers.
- Surface mounting allows hardware to be retrofitted.
- Recommended Door Specifications:
 - Width: max. 36" (914 mm)
 - Weight: 33~88 lbs (15~40 kg)
- Can be adjusted for door weight after installation. Damper function can also be switched off.
- Slim, unobtrusive design: damper unit is just 3/4" high, easily fitting most door frames.



Available in the following colors:



Installation & Adjustment

Component	Material	Finish/Color
Main Body	Steel, Zinc Alloy	Plain
Counter Plate		
Covers	ABS	White (WT), Light Grey (LGR), Light Brown (LBR), Dark Brown (DBR)

Item No.	Type	Door Weight	Door Width	Door Thickness	Box (pc)	Carton (pcs)
LDD-S-L	Left	33~88 lbs (15~40 kg)	Max. 36" (914 mm)	Will support any thickness	1	24
LDD-S-R	Right					

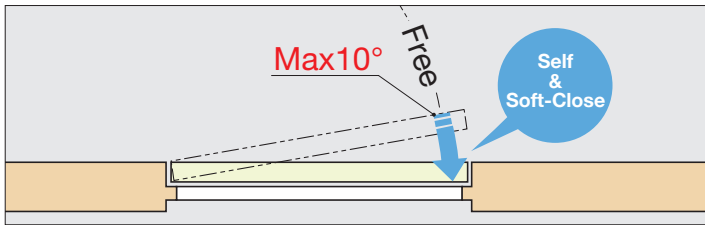
DOOR DAMPER (RECESSED TYPE)



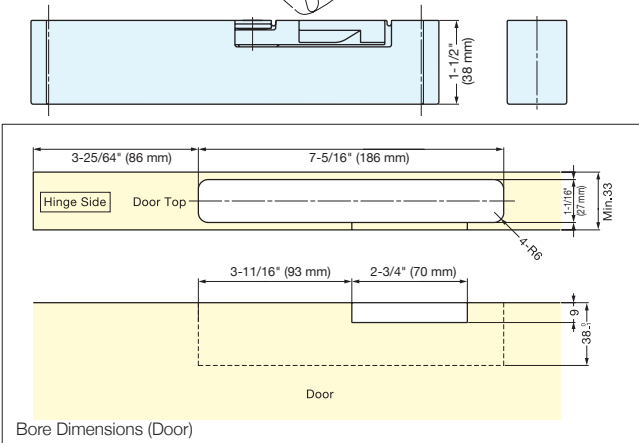
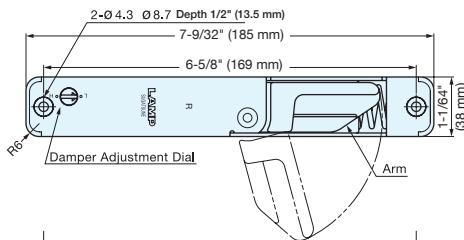
LDD-V



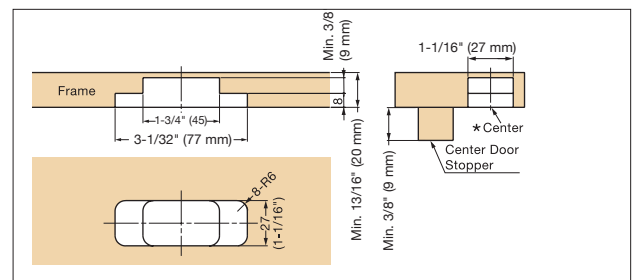
LDD-V-R is shown



LDD-V-R is shown



- Door damper unit for interior, swinging doors.
- Grips door at final 10° and softly, self-closes doors more gently compared to other door closers, putting less stress on the hinges.
- "Invisible" design minimizes visibility of hardware.
- Recommended door specifications:
 - Thickness: min. 1-5/16" (33 mm)
 - Width: max. 36" (914 mm)
 - Weight: 33~88 lbs (15~40 kg)
- Can be adjusted for door weight after installation. Counterplate position can be easily adjusted by removing cover and turning micro-adjustment screws.
- Includes screws and paper template for installation.



Bore Dimensions (Frame)

Part Name	Material	Finish/Color
Main Body	Steel/Polyacetal/PBT	Chromate/Grey
Counter Plate	Steel/Polyacetal	Nickel/Grey

Item No.	Type	Door Weight	Door Width	Door Thickness	Box (pc)	Carton (pcs)
LDD-V-R	Right	33~88 lbs (15~40 kg)	Max. 36" (914 mm)	Min. 1-19/64" (33 mm)	1	24
LDD-V-L	Left					

DOOR DAMPER (RECESSED TYPE)



LDD-V100



LDD-V100-NI-L shown.

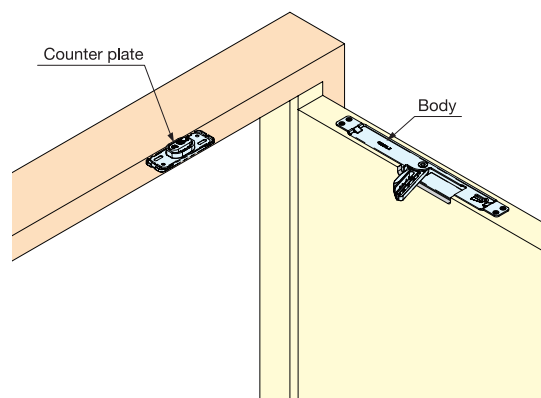


Counter plate cover (Nickel/Dark brown)

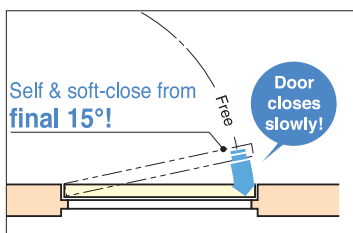
- Door damper unit for interior, swinging doors.
- Grips door at final 15° and softly, self-closes doors more gently compared to other door closers, putting less stress on the hinges.
- Heavy Duty: Holds up to 220 lbs doors (100 kg).
- "Invisible" design minimizes visibility of hardware.
- Recommended door specifications:
 - Thickness: 1-9/16"~2-3/8" (39~60 mm)
 - Width: max. 35-7/16" (900 mm)
 - Weight: 88~220 lbs (40~100 kg)
- Can be adjusted for door weight after installation. Counterplate position can be easily adjusted.
- Includes screws and paper template for installation.

Installation

Below drawing shows right-handed type. Left-handed type is symmetrical.

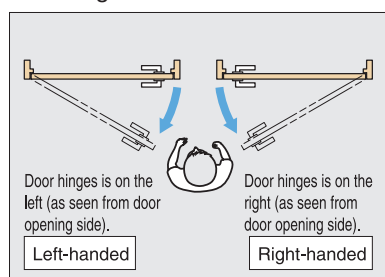


Door Movement

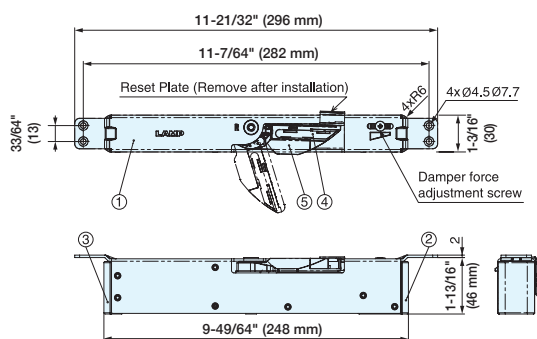


Right-handed type shown. Left-handed type is symmetrical.

Door Hinge Side



Body



No.	Part Name	Material	Finish/Color
①	Case	Steel (SPCC)	Nickel
②	Damper Base	POM	Grey
③	Spring Base	POM	Grey
④	Arm Cover	POM	Grey
⑤	Arm	Zinc Alloy (ZDC)	Nickel
⑥	Counter Plate Cover	ABS	Dark Brown/Nickel
⑦	Counter Plate Base	Zinc Alloy (ZDC)	-
⑧	Counter Plate Shaft	Steel (SUM)	Nickel

Item No.	Finish/Color	Type	Door Weight	Door Width	Door Thickness	Box (pc)	Carton (pcs)
LDD-V100-DBR-R	Dark Brown	Right	88 lbs~220 lbs (40~100 kg)	Max. 35-7/16" (900 mm)	1-9/16"~2-3/8" (40~60 mm)	1	10
LDD-V100-DBR-L		Left					
LDD-V100-NI-R	Nickel	Right					
LDD-V100-NI-L		Left					

sugatsune.com



Sugatsune America
18101 Savarona Way,
Carson, CA 90746
Toll Free: 800-562-5267



Sugatsune Canada, Inc.
3775 Boulevard du Tricentenaire,
Montréal, Québec H1B-5W3
Toll Free: 833-312-5267
support@sugatsune.ca