

# ADJUSTABLE MOUNT

# FSL-V36

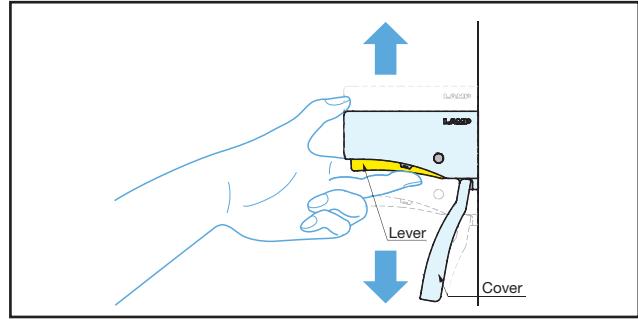
BRACKETS & SHELVING SYSTEM

ADJUSTABLE MOUNT

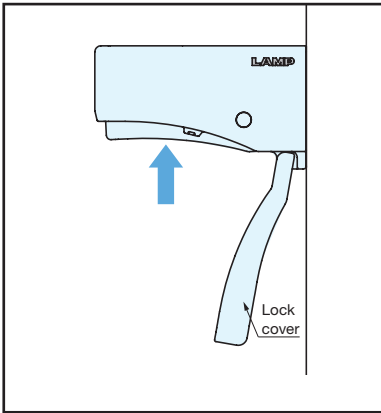


- Holds at any height on aluminium frames.
- The cover prevents unintentional lock release.
- Designed for use with the FSL-L, an aluminium frame.
- The cover prevents unintentional lock release.
- The locking mechanism prevents only downward motion.
- Can be installed to an aluminium frame that is already assembled.
- A monitor can be mounted on the FSL-V36 when used with the FSL-MB, an optional monitor-mounting bracket.

Holds at any height

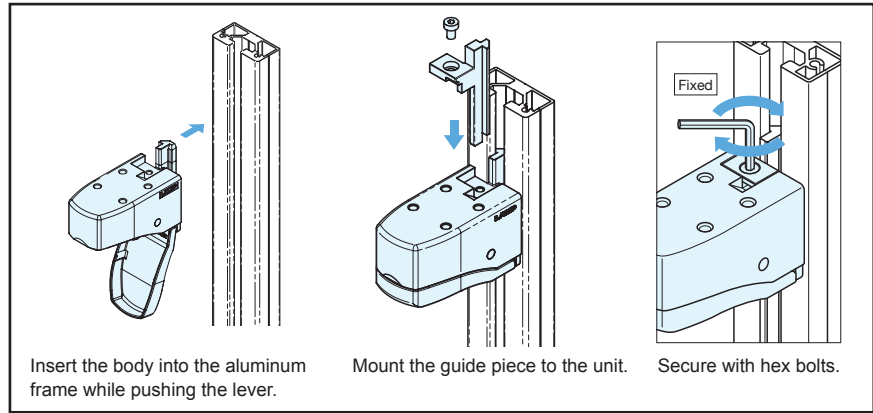


### Operation

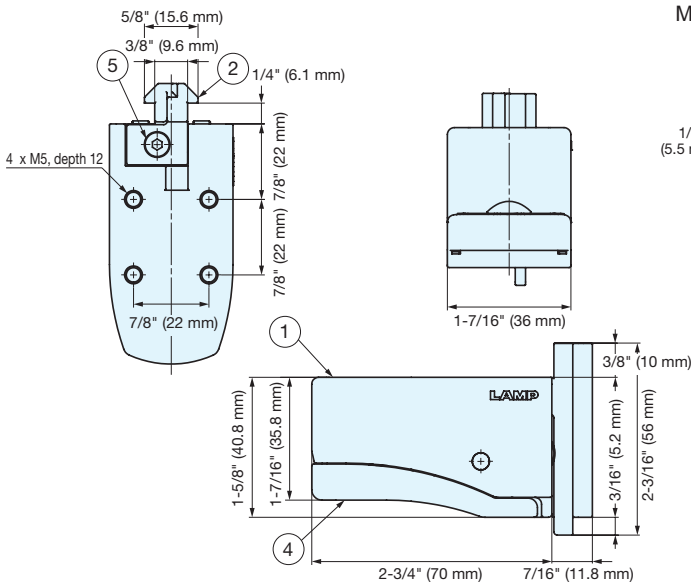


Open the cover and push the lever to move the unit up or down. The unit stops where the lever is released.

### Installation



Can be installed to an aluminium frame that is already assembled. (see the instruction manual for details)



### Mountable Aluminium Frame

### When cover is opened

No.	Part Name	Material	Finish
①	Main Body	Zinc Alloy (ZDC)	Satin Chrome Plating
②	Guide Piece		
③	Lever	ABS Resin	White
④	Lock Cover		
⑤	Hexagonal socket cap low head bolt M4x6	Stainless Steel	Plain

Item No.	Vertical Load Capacity kgf	Weight (g)
FSL-V36	12 (26.5 lbs)	310