

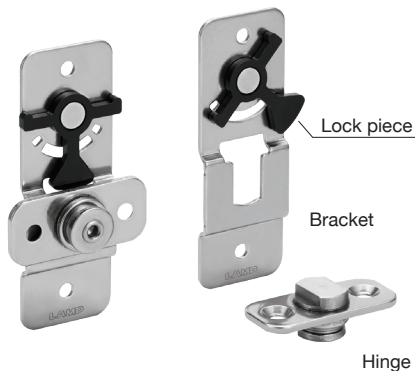
# DETACHABLE TORQUE HINGE



# HG-RNM30

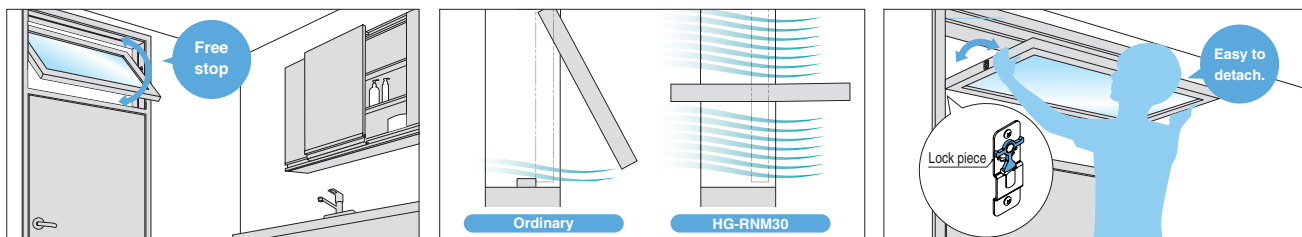
HINGES

DETACHABLE TORQUE HINGE

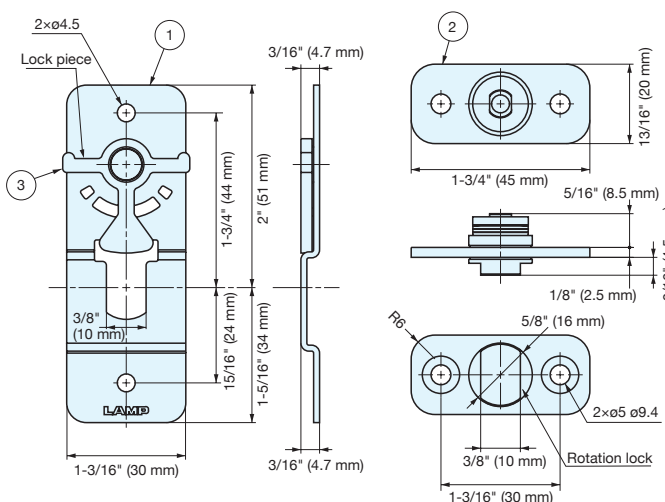
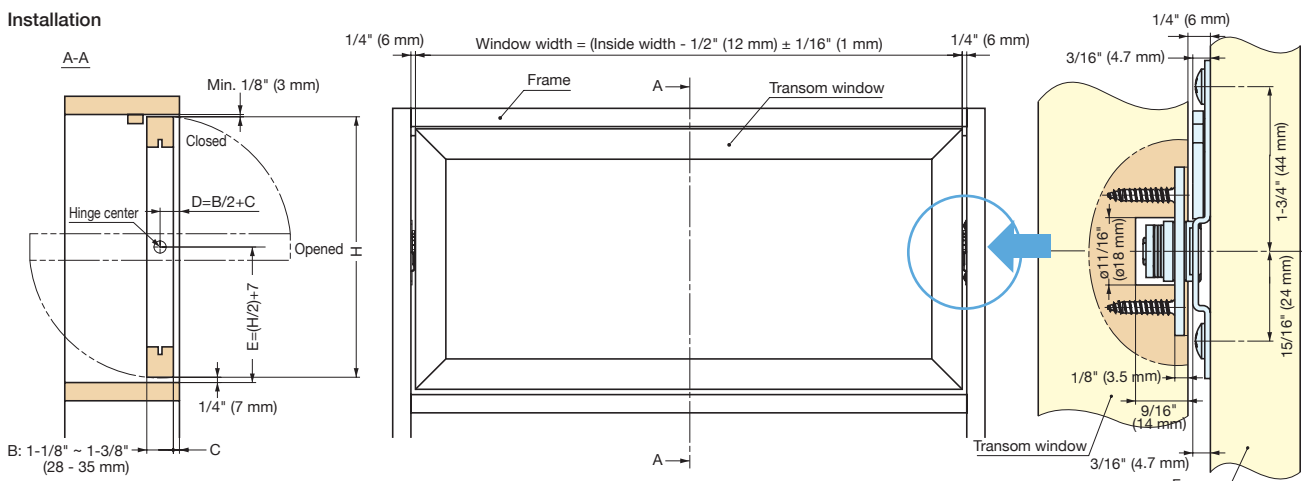


- Hinge recommended for vertical use on windows to allow ventilation.
- Safety arm locks hinge shaft in place, preventing unintentional movement.
- Free stop: can hold position at any angle.
- Can easily be removed without tools for convenient maintenance.
- Sold as set of hinges with brackets.
- Successfully passed 20,000 rotation cycles private cycle test.

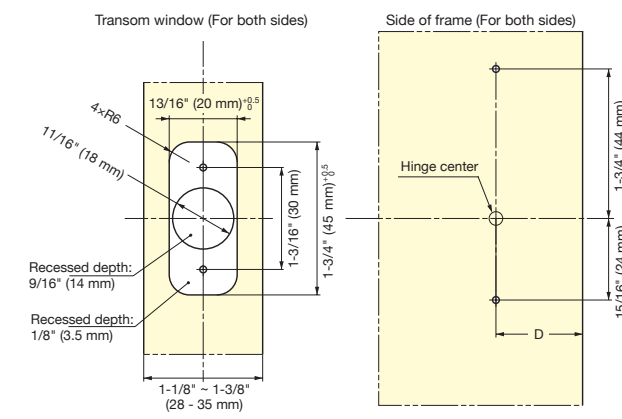
Window Width	Max. 35-7/16" (900 mm)
Window Height	Max. 17-3/4" (450 mm)
Window Thickness	1-1/8" ~ 1-3/8" (28 - 35 mm)
Window Weight	Max. 12.1 (5.5 kg)



### Installation



### Cut Out Dimensions



Item No.	Torque Moment (Per pair)	Weight (g)	Box	Carton
HG-RNM30	26.5±20% lb-in (30.6±20% kgf-cm)	112	15 sets	120 sets

No.	Part Name	Material
①	Bracket	Stainless Steel
②	Hinge	Stainless Steel
③	Lock Piece	POM