

# SUGATSUNE

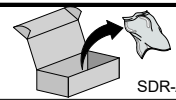


## SDR-A300TS

Nov. 2013

0388060318

**Contenido del juego**  
Content of the set  
Contenu de l'ensemble

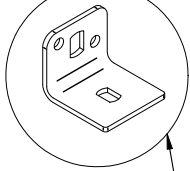


SDR-A300TS-PRT

R		2
S		2
T		8
U		1
V		4

W		2
X		1
Y		2
Z		2

SDR-A300-30064



NOT INCLUDED

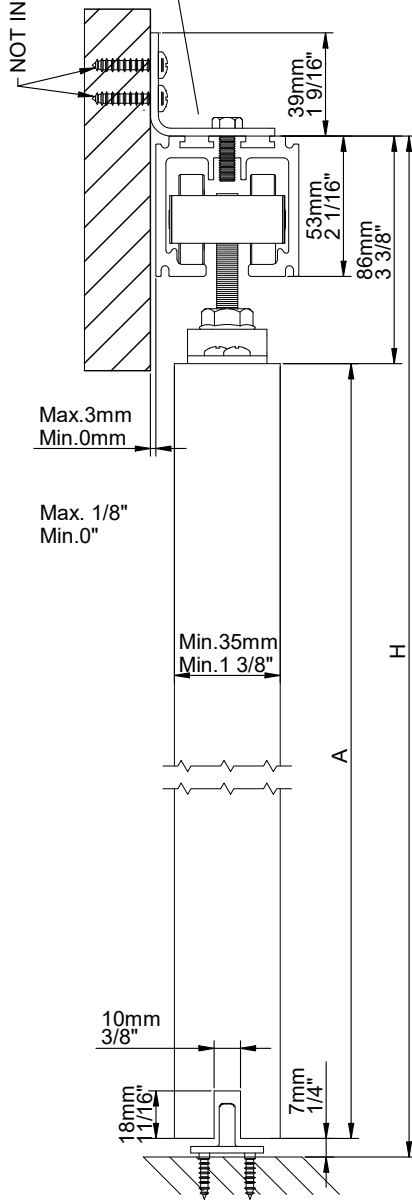
TRACK LENGTH= MIN 2X DOOR WITH

SDR-A300-3000



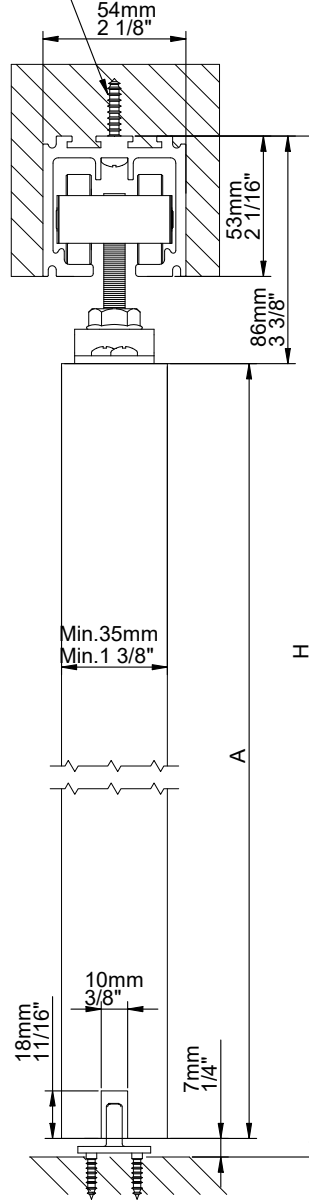
NOT INCLUDED

SDR-A-4131



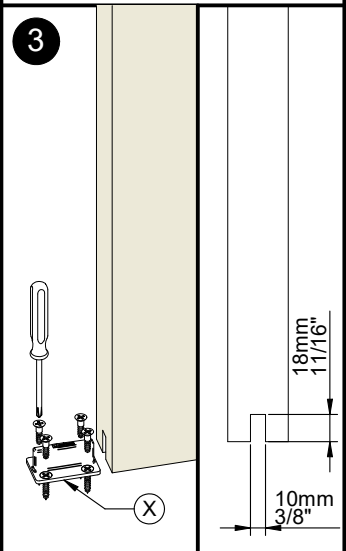
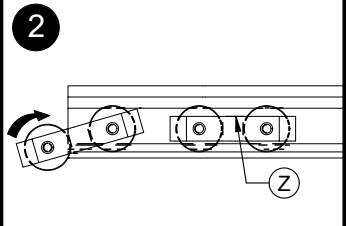
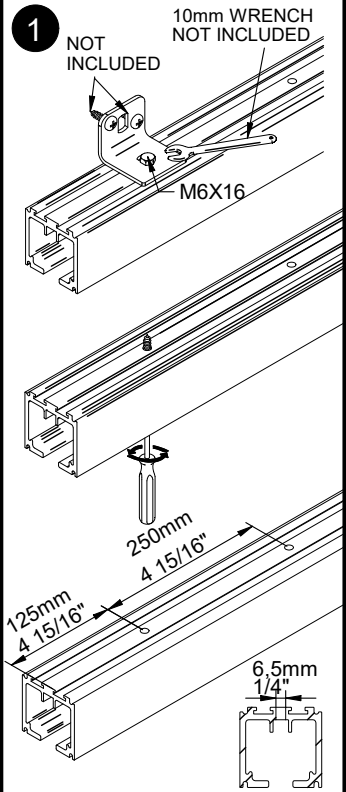
$$A = H - 93\text{mm}$$

$$A = H - 3 \frac{11}{16}\text{''}$$



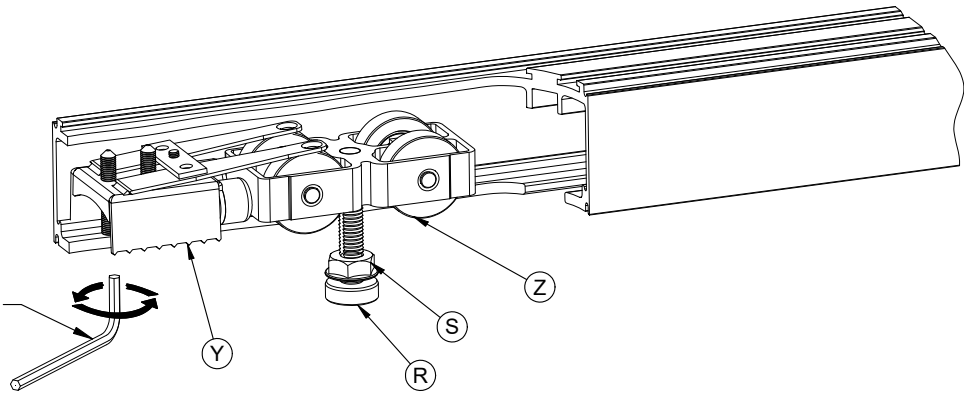
$$A = H - 93\text{mm}$$

$$A = H - 3 \frac{11}{16}\text{''}$$



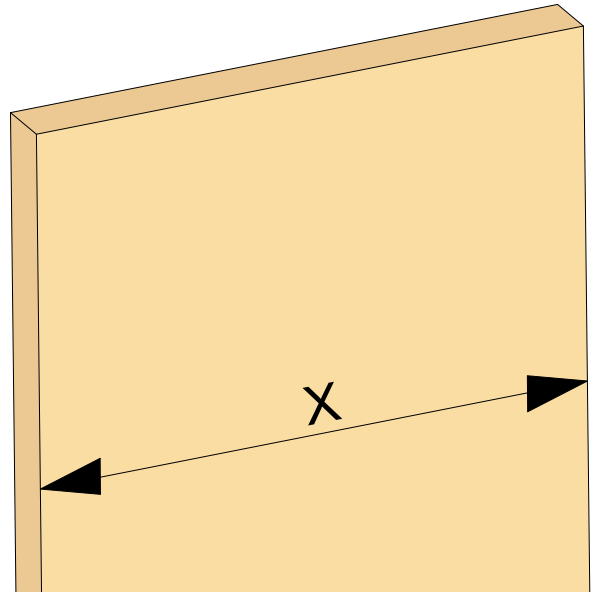
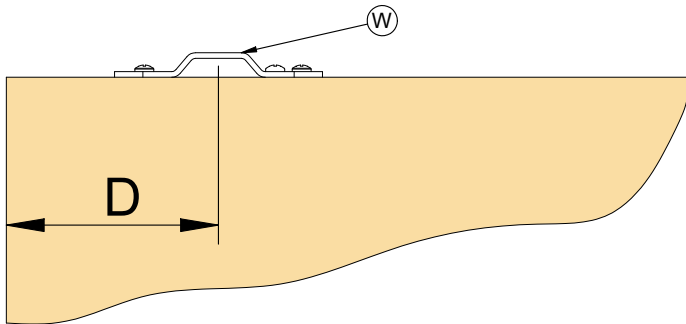
4

3mm ALLEN  
NOT INCLUDED

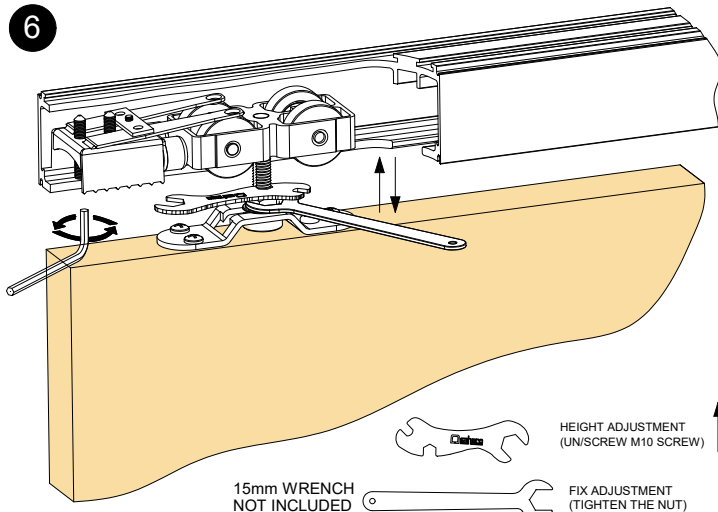


5

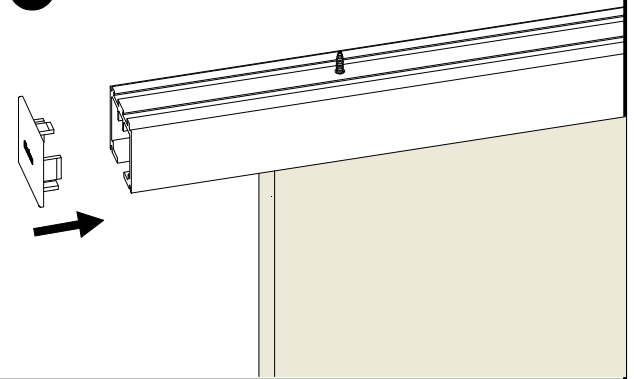
D=1/6X



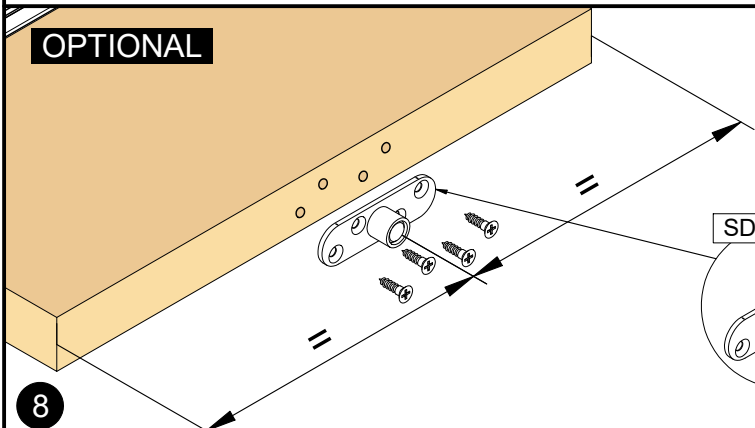
6



7



OPTIONAL



SDR-A-4140

