

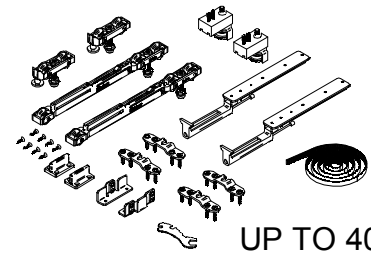
SUGATSUNE

MAX.
40 kg.

SDR - RA80SYN - 40

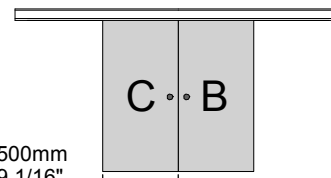
038060517
JUNE - 2020
CODE: 998146

SDR-RA80SYN-40

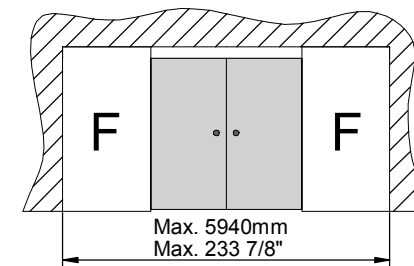


UP TO 40Kg

LEVELED
OVERLAP



Max. 1500mm
Max. 59 1/16"
Min. 715mm
Min. 28 1/8"



Max. 5940mm
Max. 233 7/8"

LEGEND

B, C = DOOR
F = FIXED SHEET

LEVELED ASSEMBLY

A = H - 78mm
A = H - 3 1/16"

L = P - 1/16"F
P = L + 1/16"F
C = P + 2 3/8"
3/16"
F = C + 9/16"
B = C

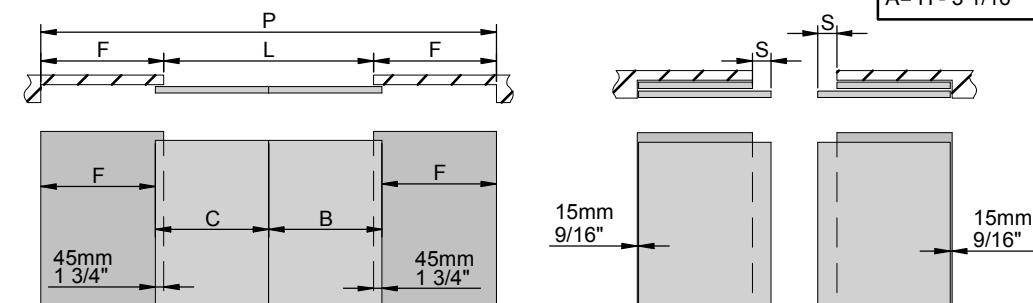
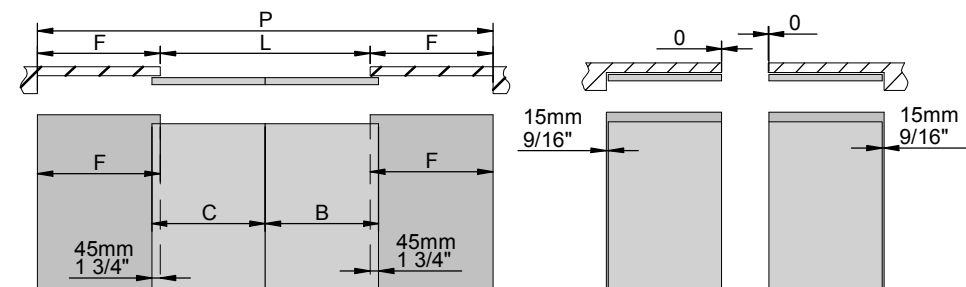
OVERLAP ASSEMBLY

A = H - 78mm
A = H - 3 1/16"

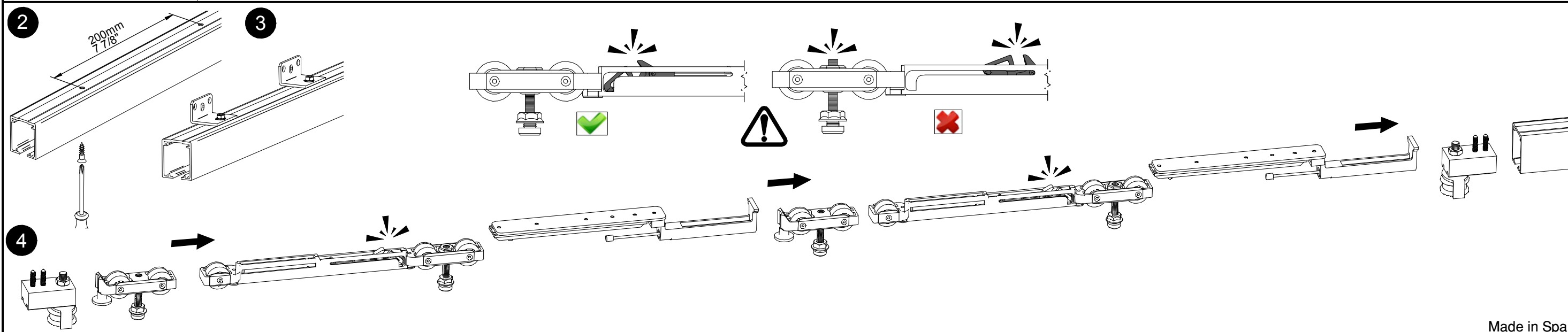
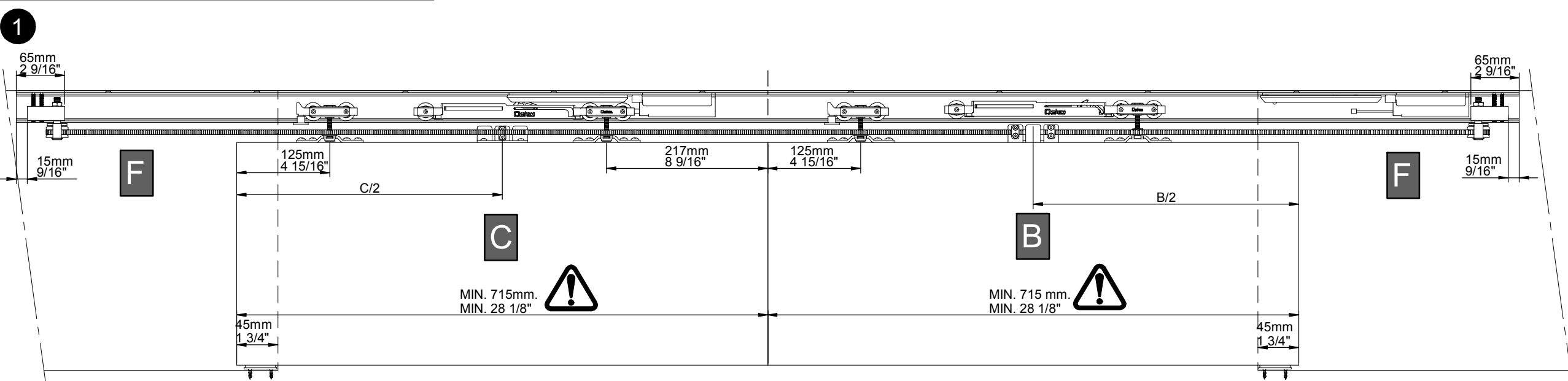
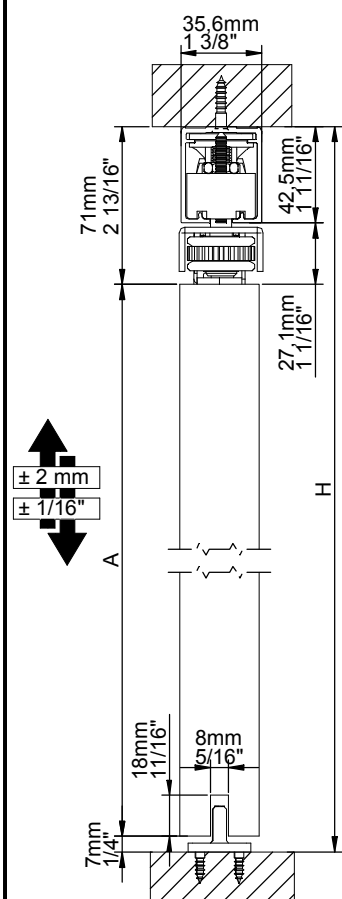
L = P - 1/16"F
P = L + 1/16"F
C = P + 2 3/8" + 1/16"S
3/16"
F = C + 9/16" - S
B = C

L = P - 2F
P = L + 2F
C = P + 60
4
F = C + 15
B = C

L = P - 2F
P = L + 2F
C = P + 60 + 2S
4
F = C + 15 - S
B = C



SF- SINCRO SOFTBRAKE ROLLER UP TO 40Kg/PANEL (2 softbrakes)



Made in Spain

