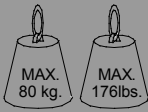


SUGATSUNE



SDR-A84D

2 PANELS / 2 HOJAS / 2 FEUILLES

Nov. 2013

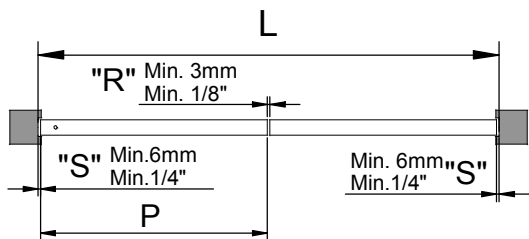
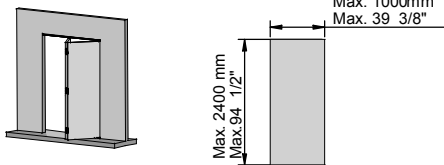
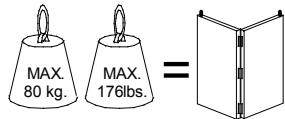
038060316

Contenido del juego

Content of the set

Contenu de l'ensemble

SDR-A84D-8800			t		1
z		1	s		1
y		1	r		1
x		1	p		2
w		1	n		2
v		6	m		1
u		2			
vt		2			

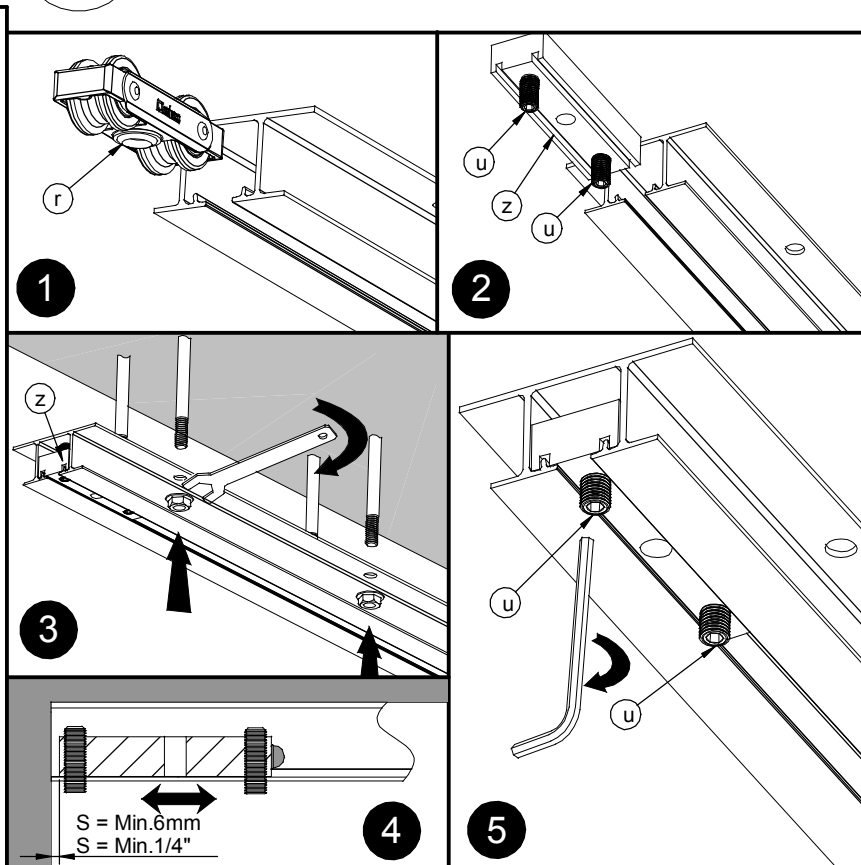
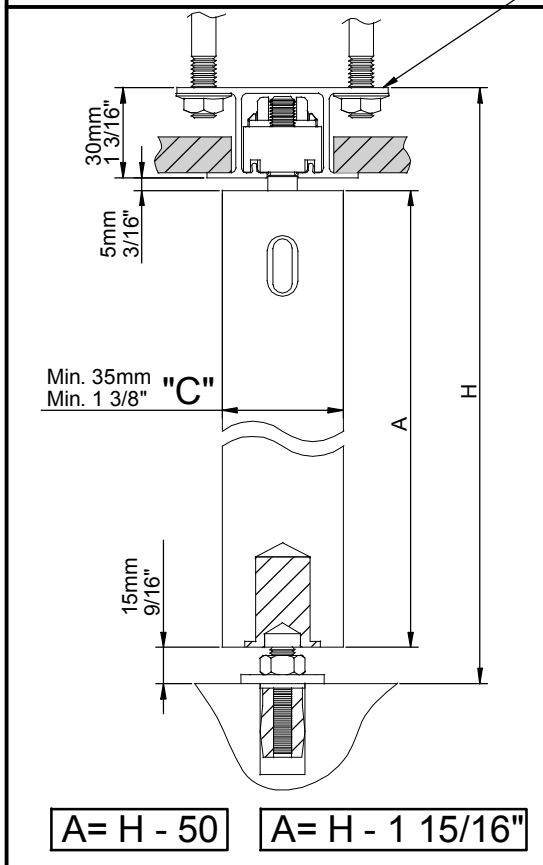


$$P = \frac{L - (2 \times S) - R}{2}$$

SDR-A84D-TC3000

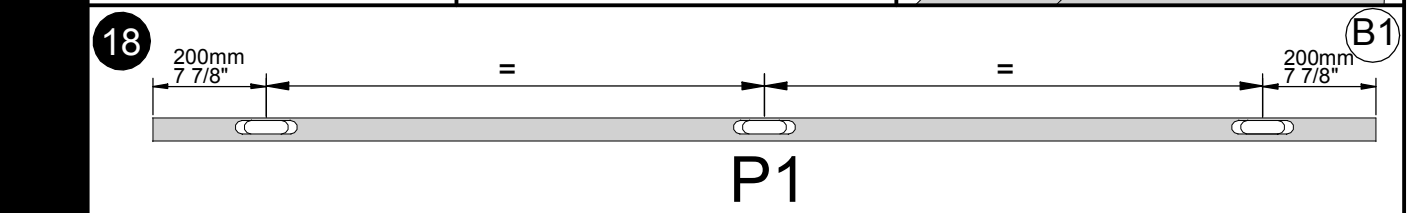
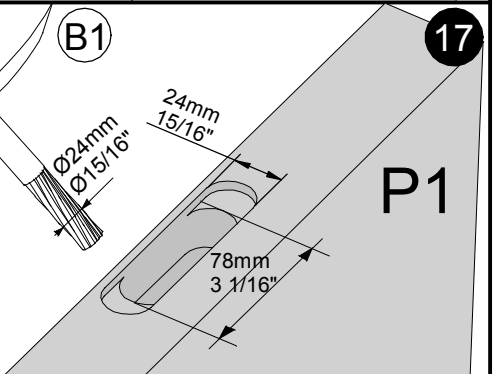
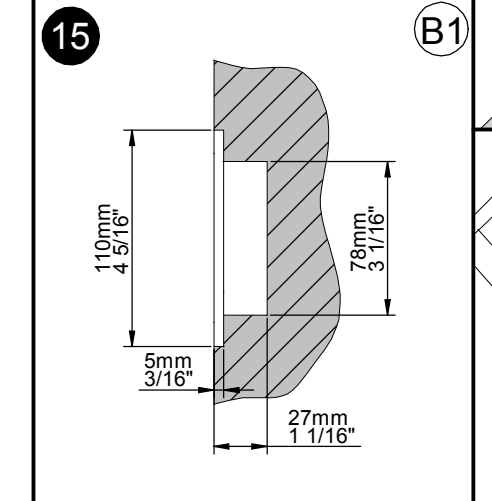
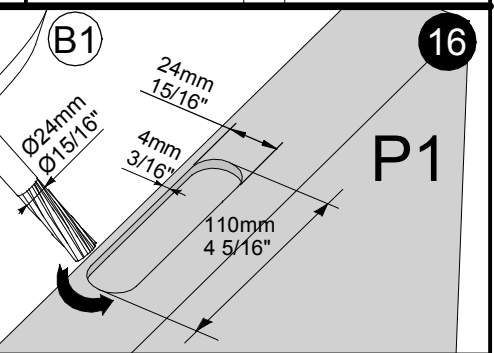
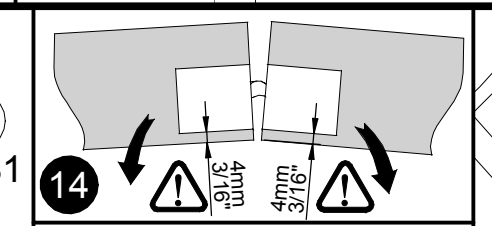
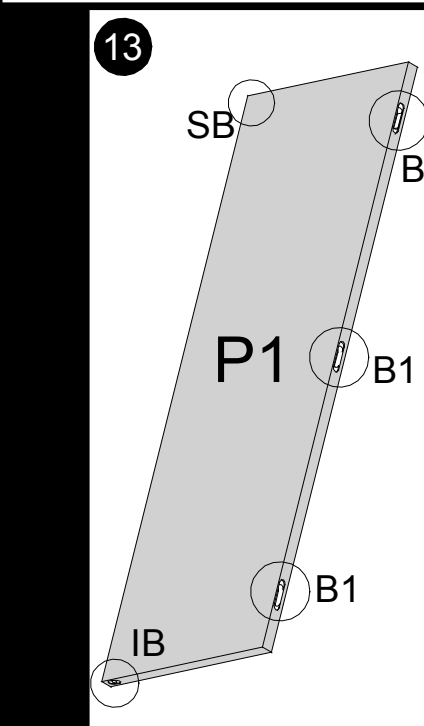
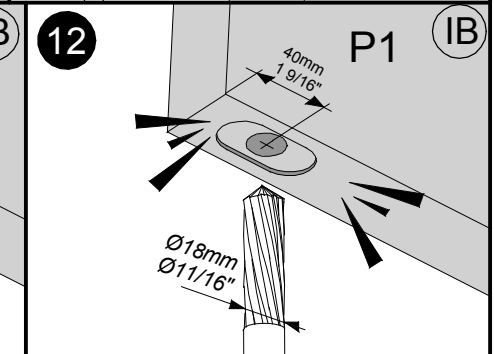
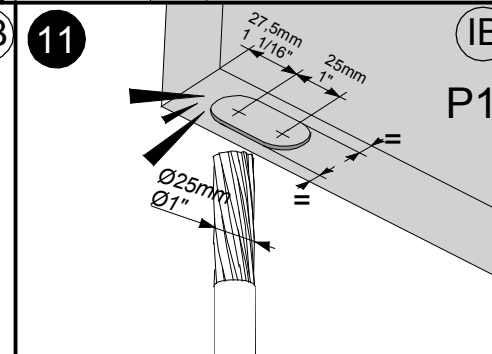
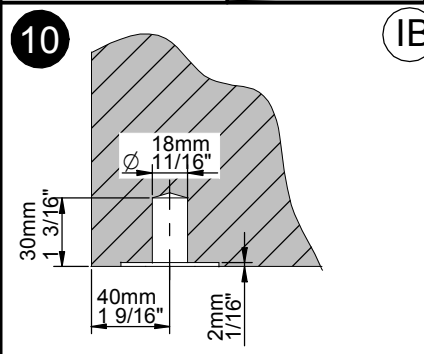
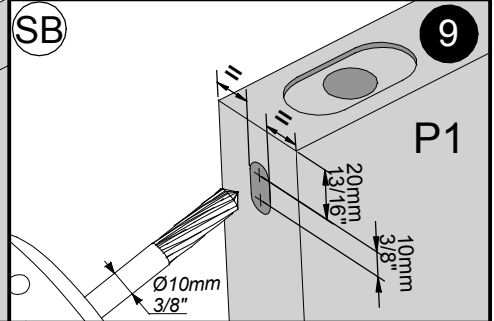
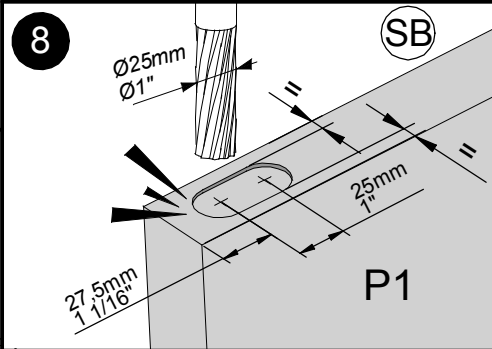
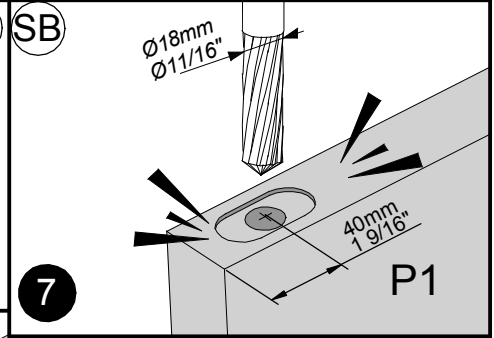
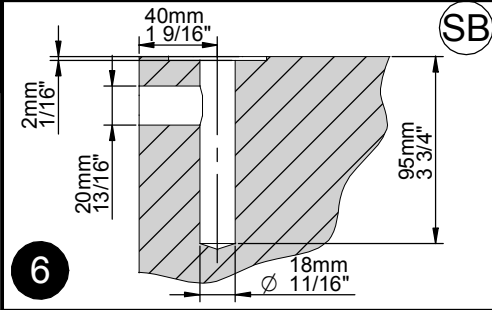
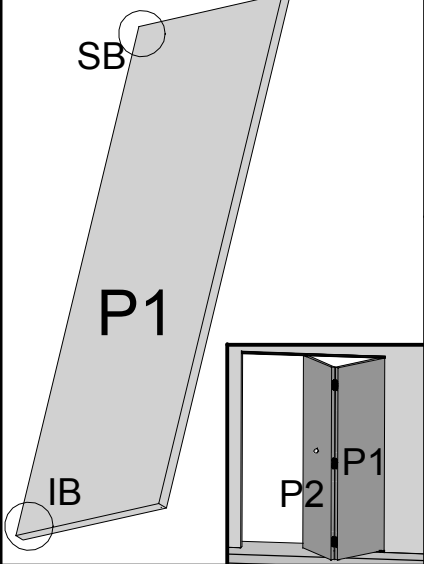
"C"	"S"
35-40mm	6mm
1 3/8-1 9/16"	1/4"
40-45mm	7mm
1 9/16-1 3/4"	1/4"
45-50mm	8mm
1 3/4-1 15/16"	5/16"

L = Overall width / Ancho de luz total / Largeur total
P = Leaf width / Ancho de la hoja / Large Feuilles



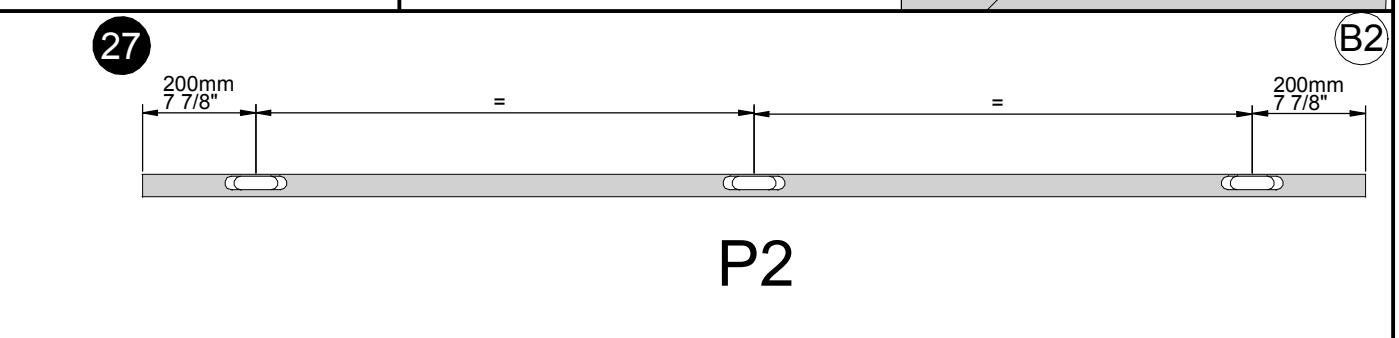
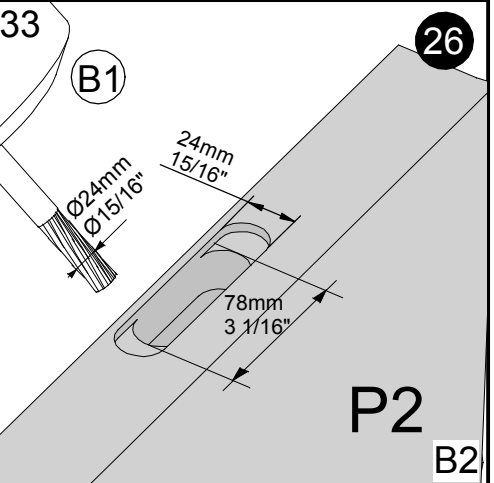
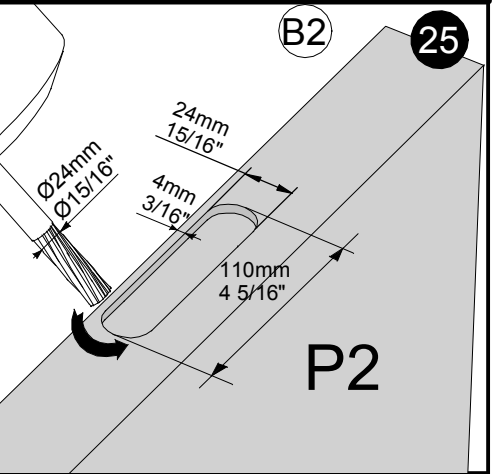
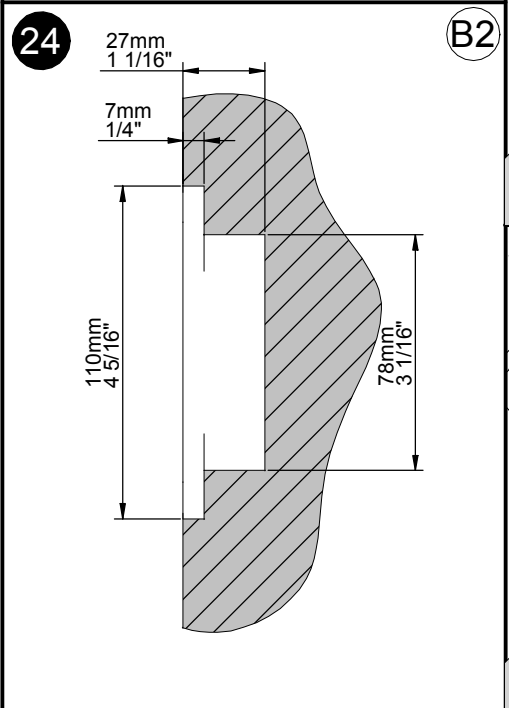
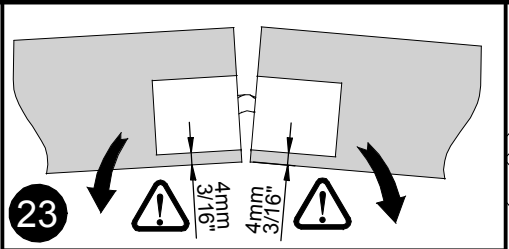
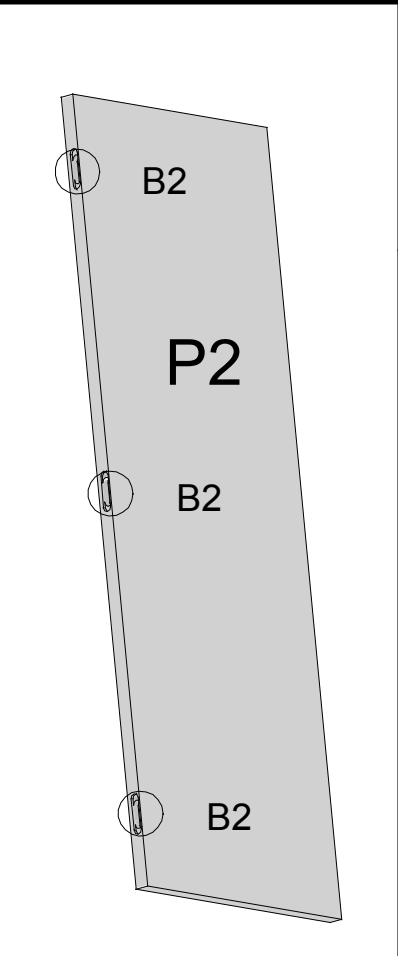
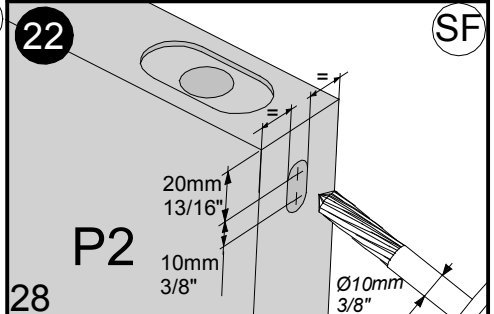
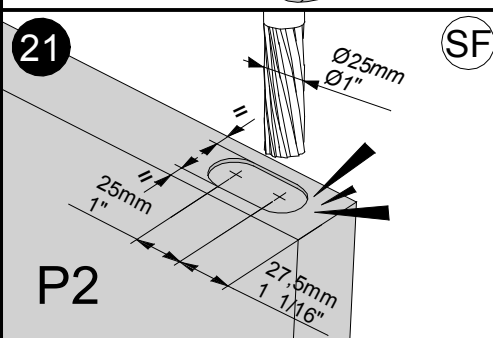
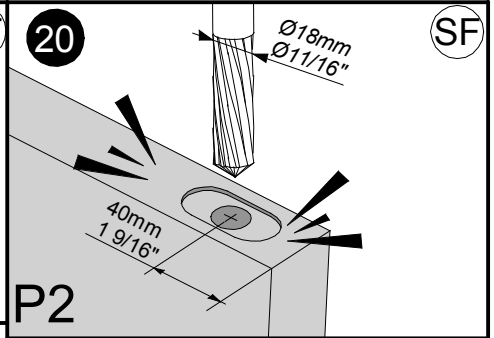
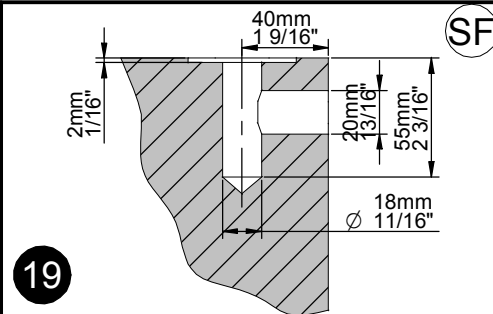
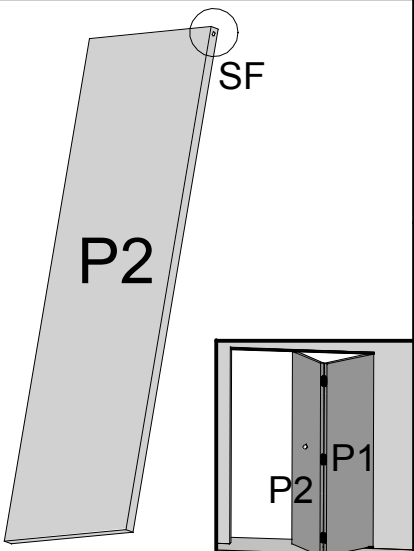
Made in Spain

Swing Sheet mechanization
 Mecanizados hoja batiente
 Mécanisés panneau battante



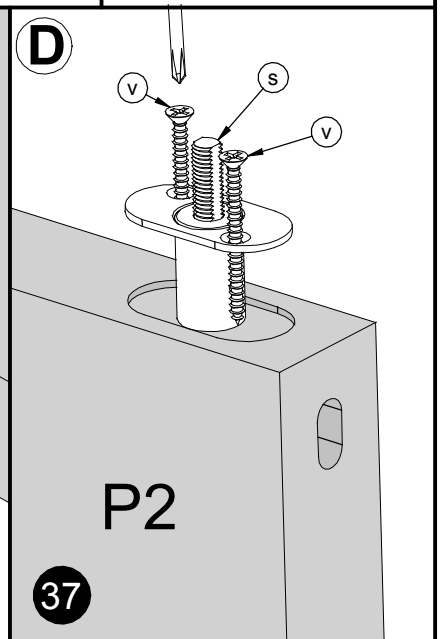
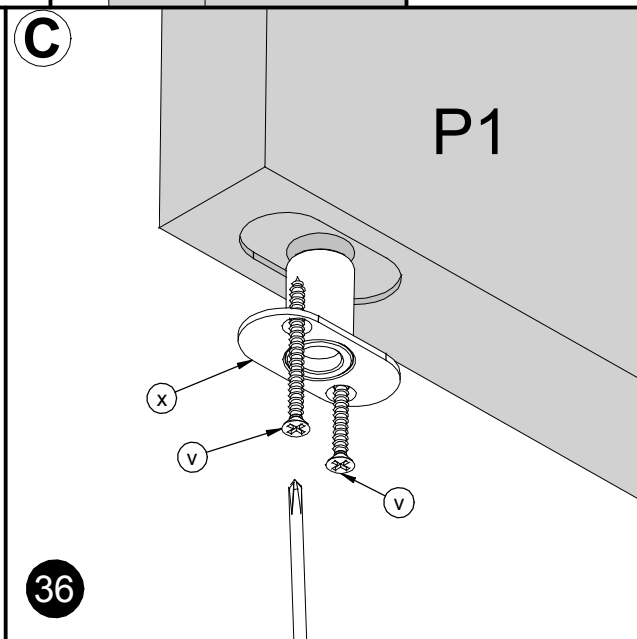
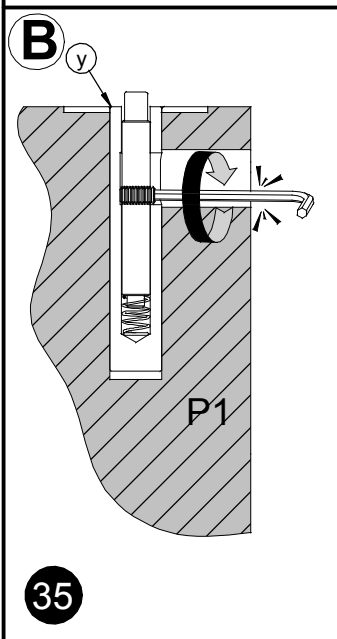
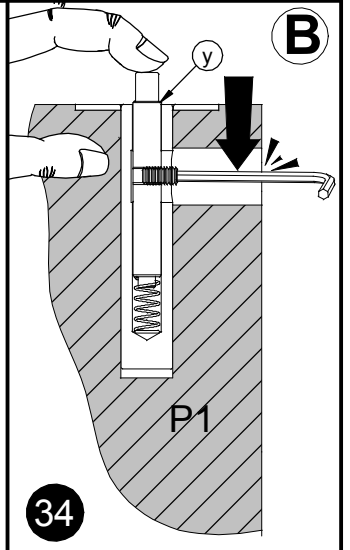
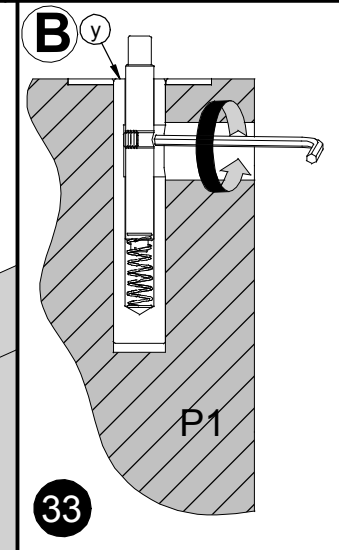
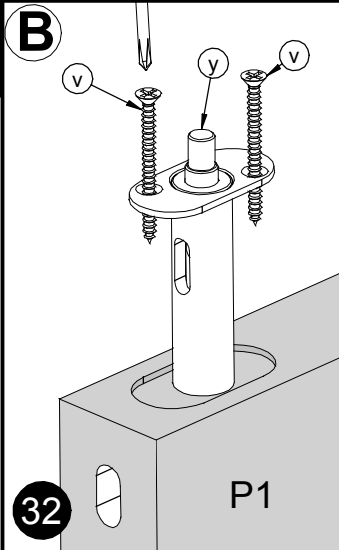
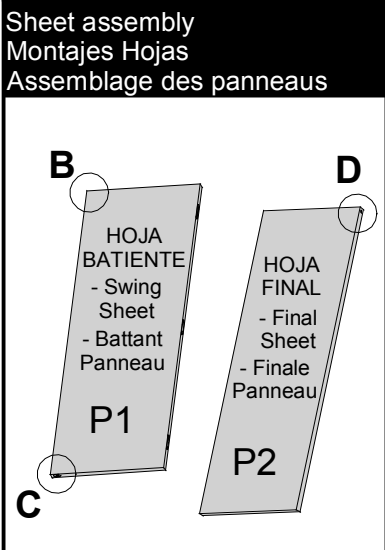
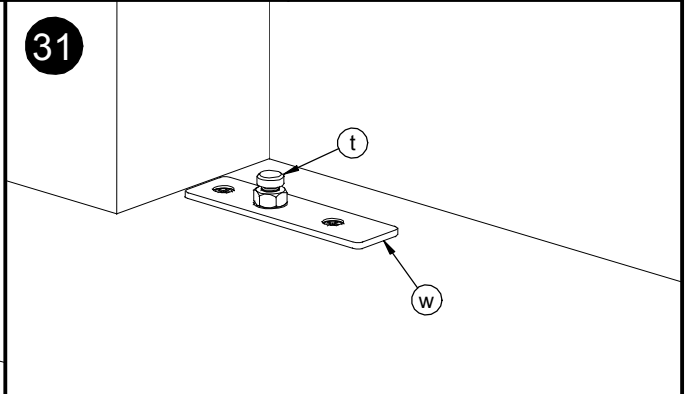
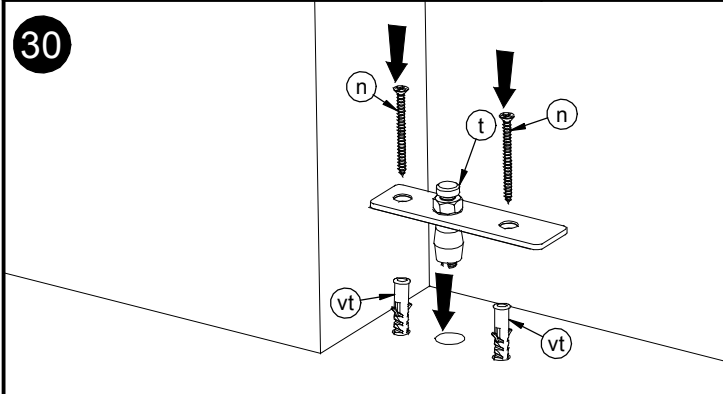
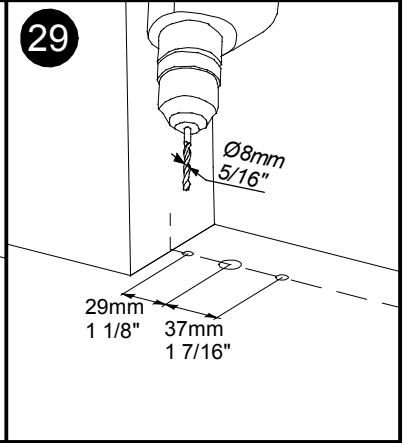
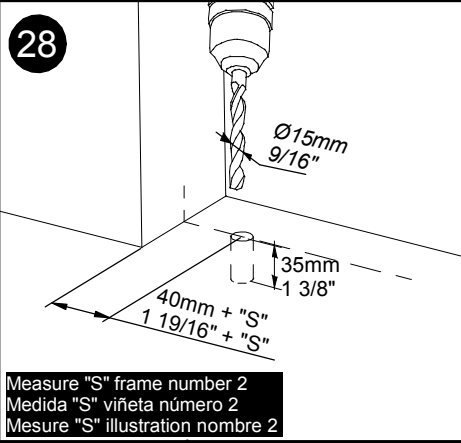
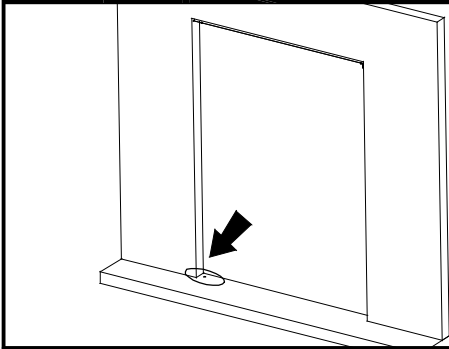
* Mechanized for installation with Saheco Hinges, the system is compatible with standard hinges
 * Mecanizados para instalación con Bisagra Saheco, el sistema es compatible con bisagras estándar
 * Mécanisés pour installation avec Charnière Saheco, le système est compatible avec des charnières standard

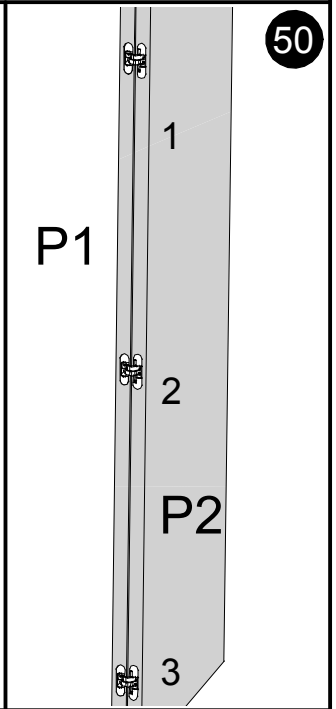
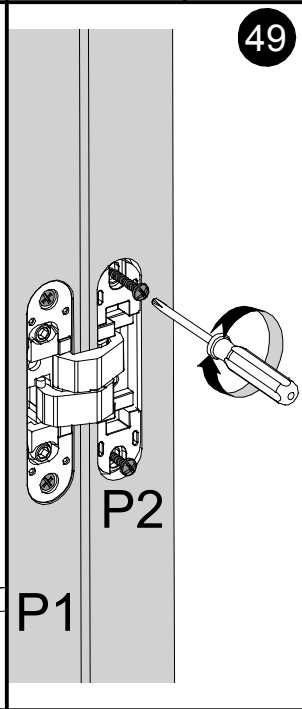
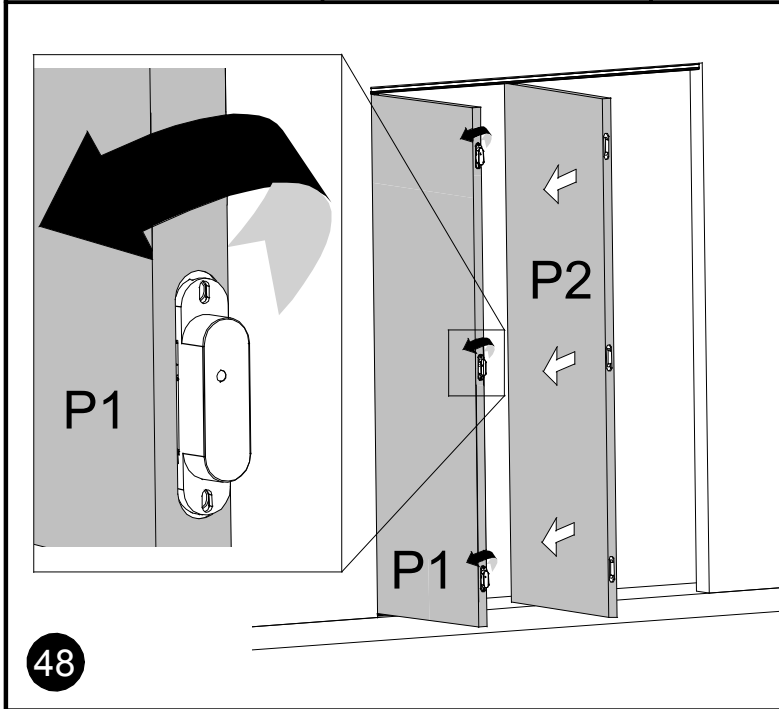
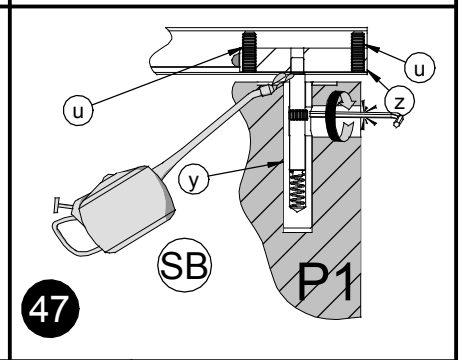
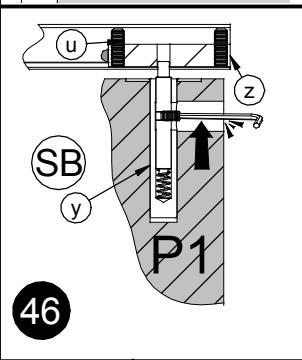
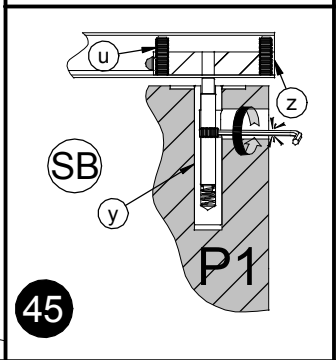
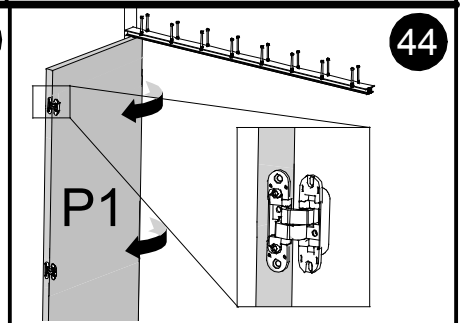
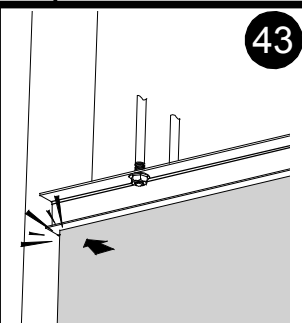
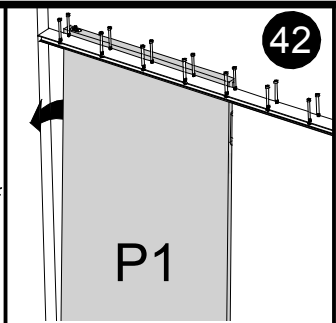
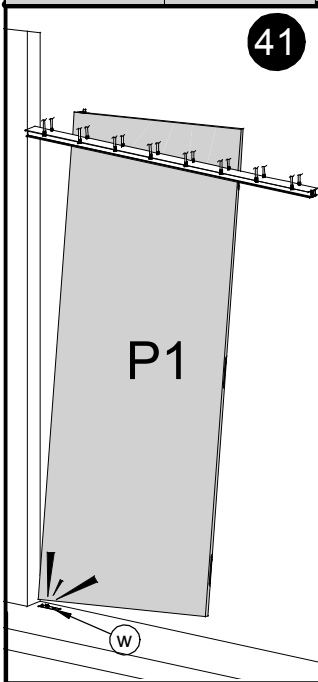
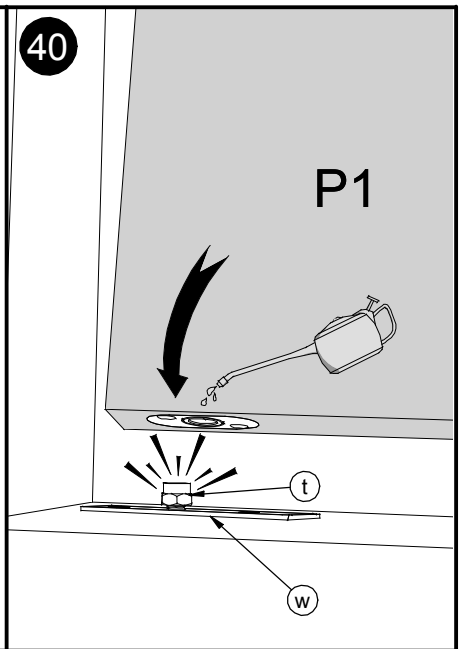
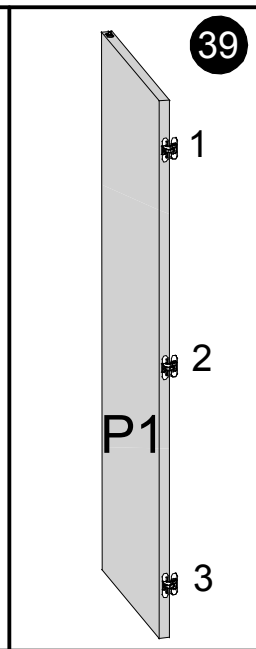
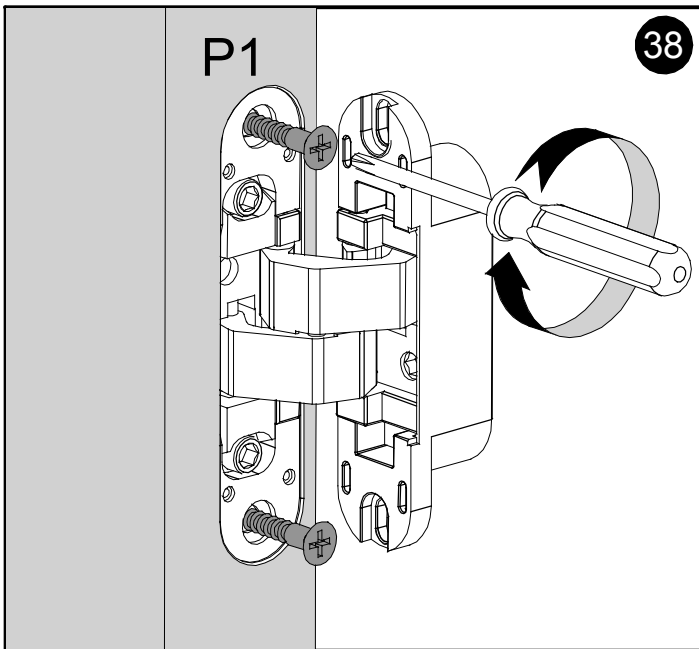
Mecanizado Hoja Final
Mechanization of Final Sheet
Mécanisation de panneau finale

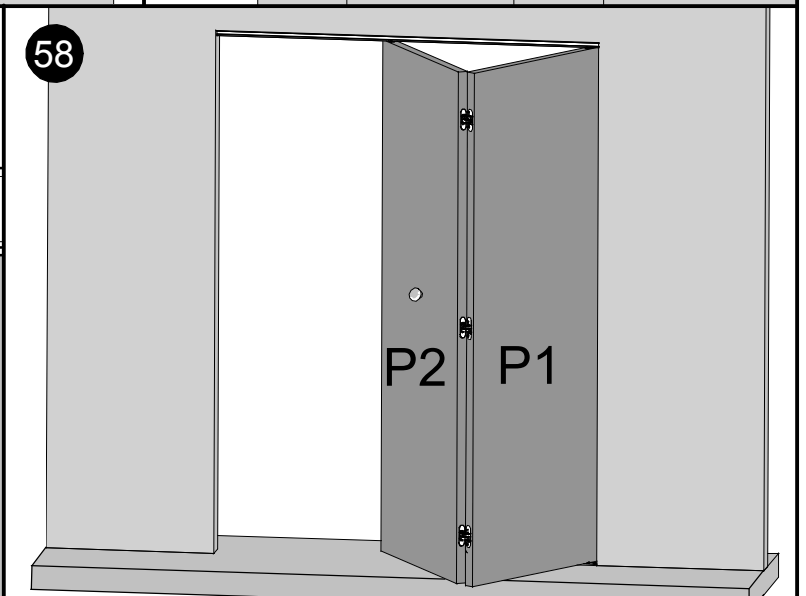
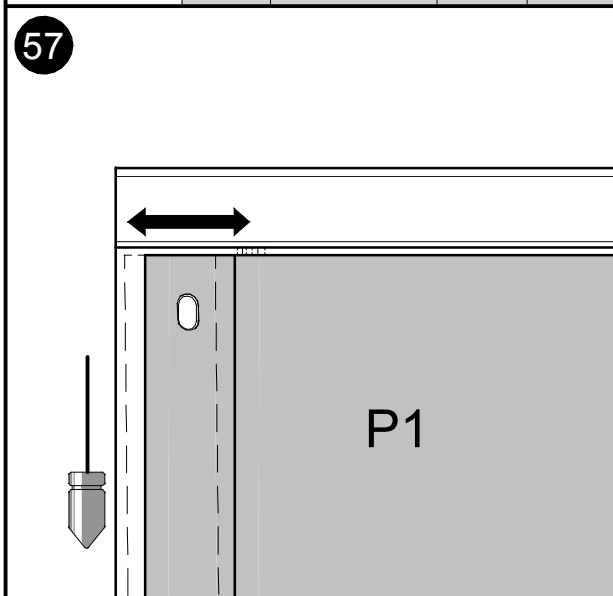
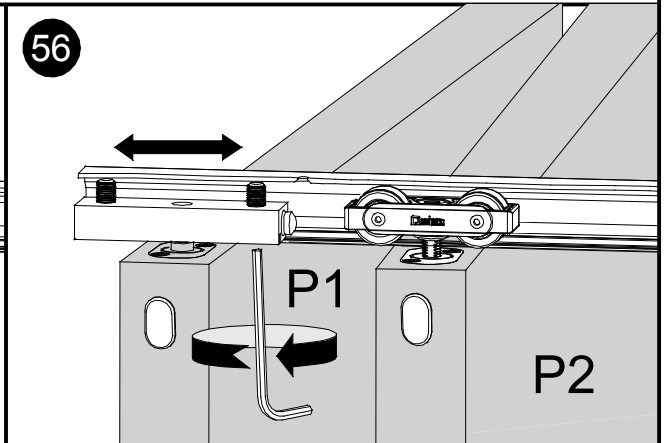
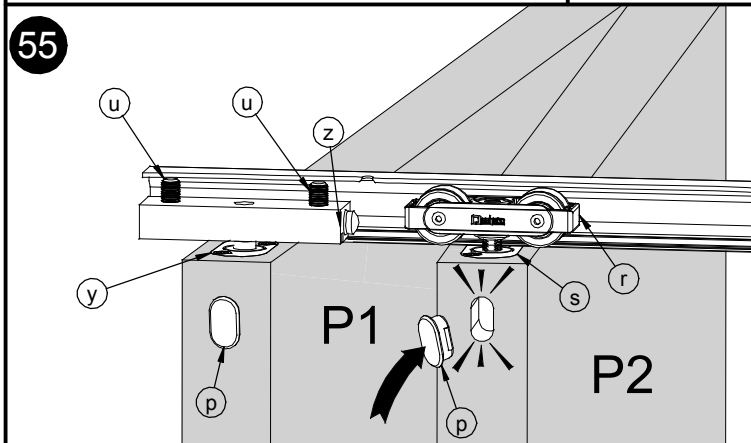
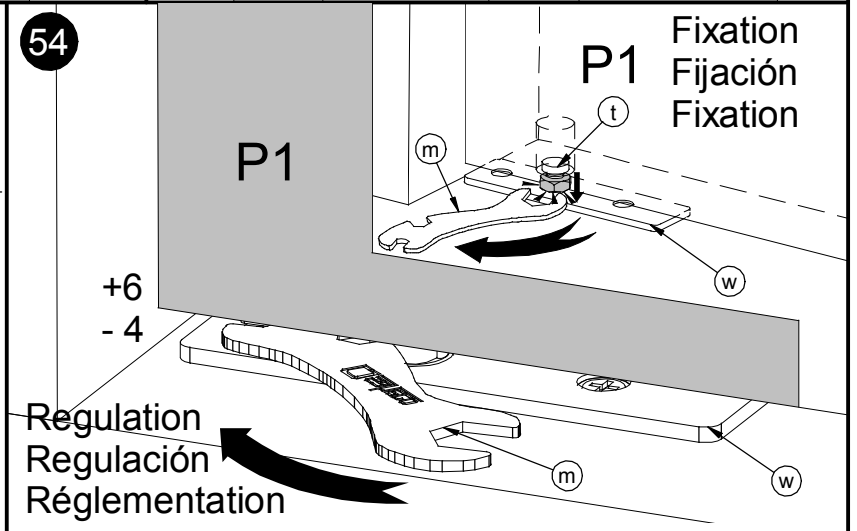
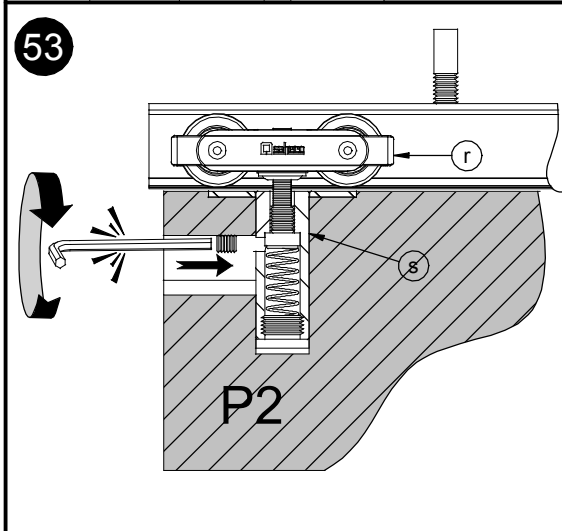
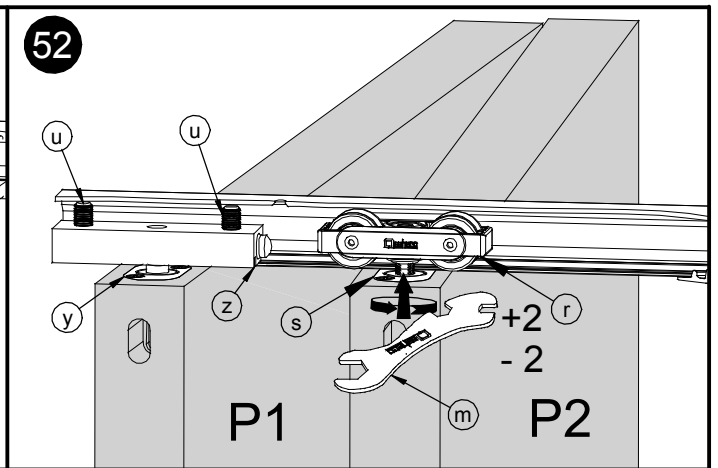
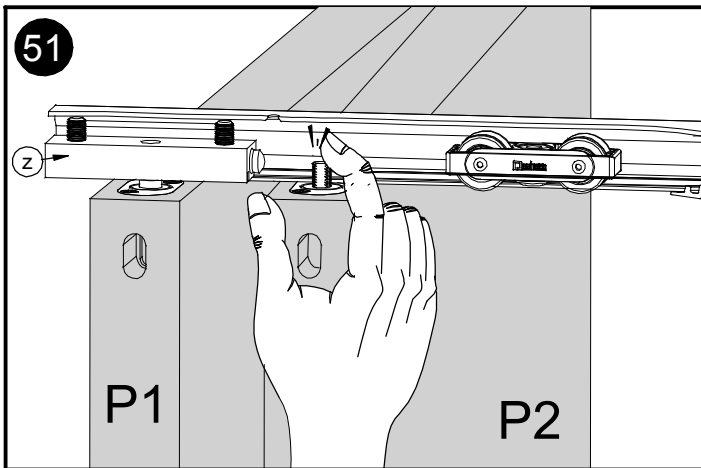


* Mechanized for installation with Saheco Hinges, the system is compatible with standard hinges
 * Mecanizados para instalación con Bisagra Saheco, el sistema es compatible con bisagras estándar
 * Mécanisés pour installation avec Charnière Saheco, le système est compatible avec des charnières standard

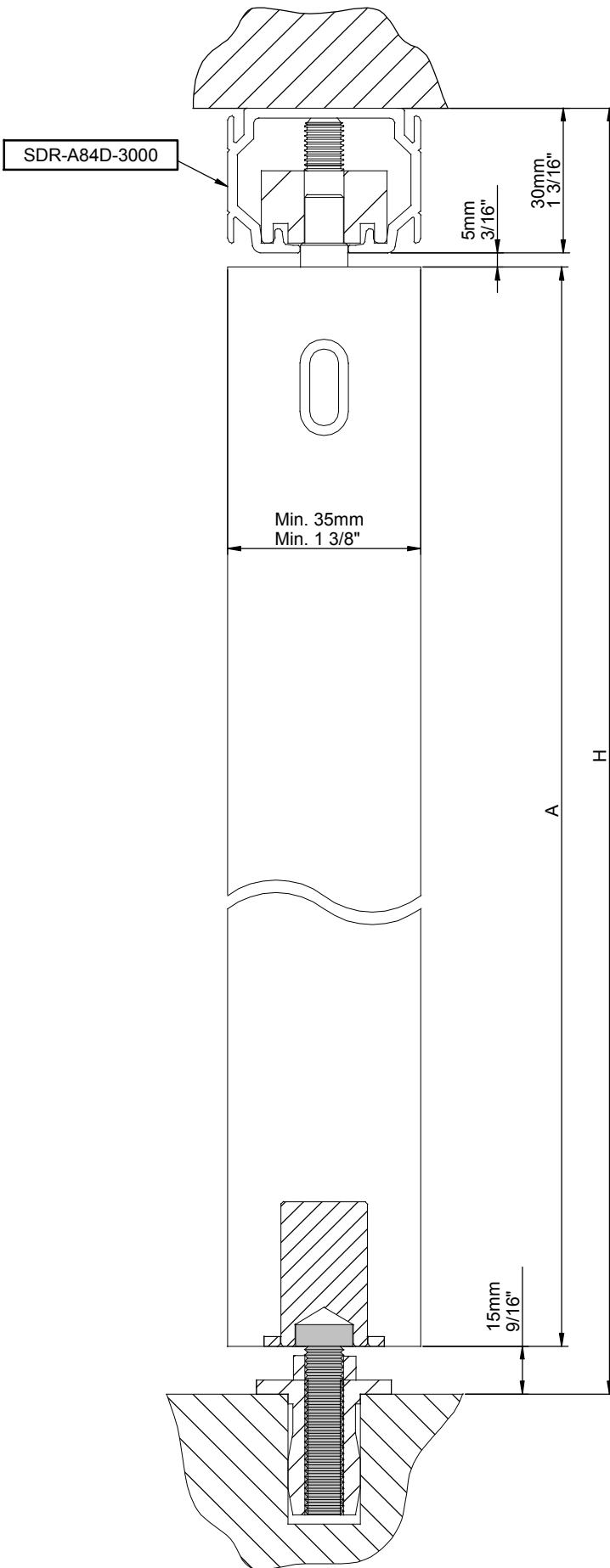
Mechanization of Lower support
 Mecanizado Soporte Inferior
 Mécanisation du Support inférieur







Assembly options
 Variantes de instalacion
 Variantes d'installation



$$A = H - 50$$

$$A = H - 1 \frac{15}{16}''$$

Max. 1000mm
 Max. 39 3/8"

Max. 2400 mm
 Max. 94 1/2"

L

"R" Min. 3mm
 Min. 1/8"

"S" Min. 6mm
 Min. 1/4"

Min. 6mm "S"
 Min. 1/4"

P

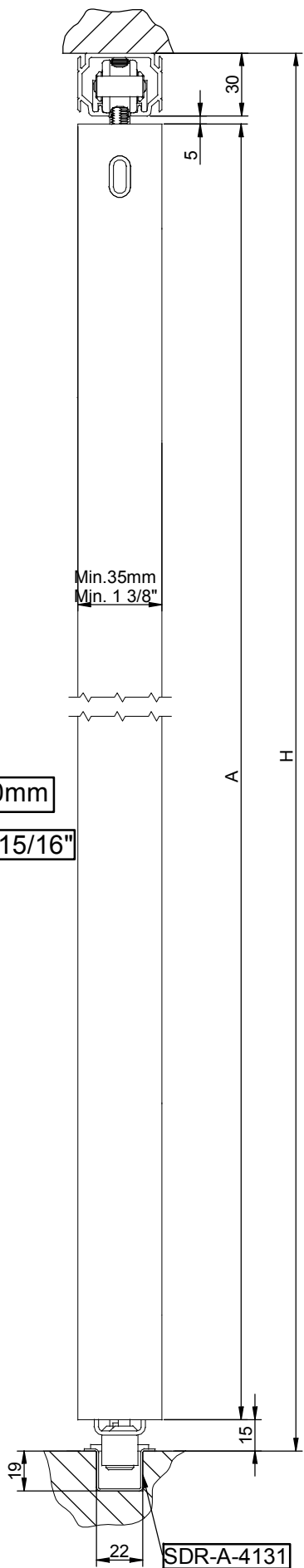
$$P = \frac{L - (2 \times S) - R}{2}$$

"C"	"S"
35-40mm	6mm
1 3/8-1 9/16"	1/4"
40-45mm	7mm
1 9/16-1 3/4"	1/4"
45-50mm	8mm
1 3/4-1 15/16"	5/16"

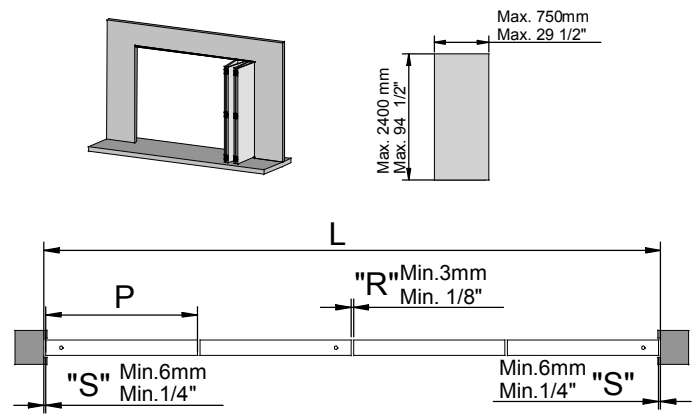
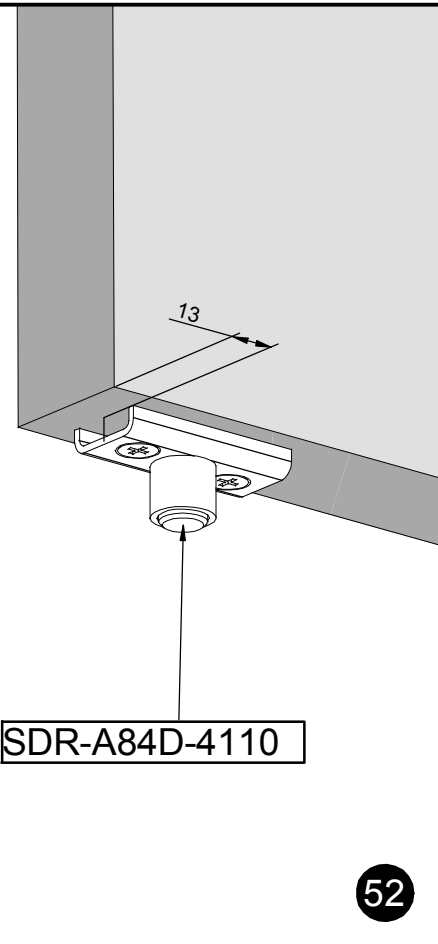
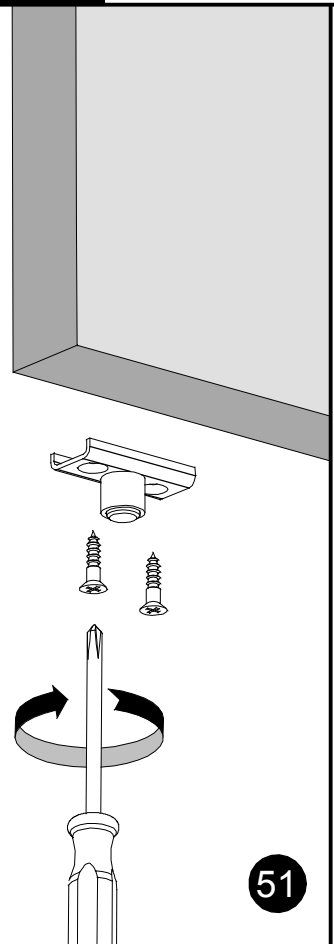
L = Overall width / Ancho de luz total / Lagueur total
 P = Leaf width / Ancho de la hoja / Large Feuilles

VARIANTES DE INSTALACIÓN
 INSTALLATION VARIANTS
 VARIANTES DE MONTAGE

* Variante con guidor inferior / Variant with lower guide /
 Variant avec guide inferieur



$A = H - 50\text{mm}$
 $A = H - 1 \frac{15}{16}\text{''}$

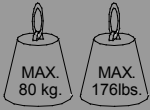


"C"	"S"
35-40mm	6mm
1 3/8-1 9/16"	1/4"
40-45mm	7mm
1 9/16-1 3/4"	1/4"
45-50mm	8mm
1 3/4-1 15/16"	5/16"

$$P = \frac{L - (2 \times S) - (3 \times R)}{4}$$

L = Overall width / Ancho de luz total / Lagueur total
 P = Leaf width / Ancho de la hoja / Large Feuilles
 F = Central Gap / Franquicia central / Franchise central
 D = Hinges Separation / Separación bisagras / Separation charniere
 S = Initial Gap / Franquicia inicial / Franchise initiale

SUGATSUNE



SDR-A84D

4 PANELS / 4 HOJAS / 4 FEUILLES

Nov. 2013

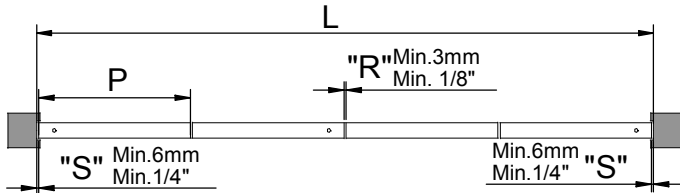
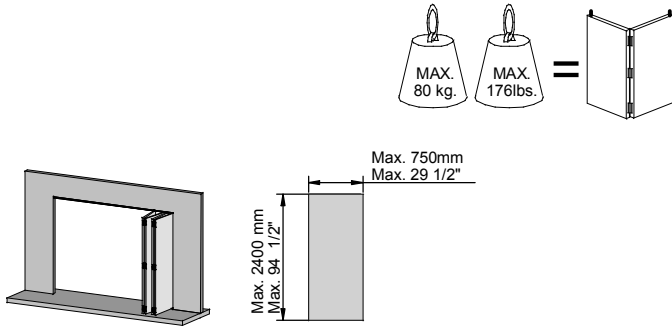
038060315

Contenido del juego

Content of the set

Contenu de l'ensemble

SDR-A84D-8801			2x SDR-A84D-8802		
z		1	s		2
y		1	r		2
x		1	v		4
w		1	p		2
v		4	m		1
u		2	n		2
vt		2	p		1
			t		1



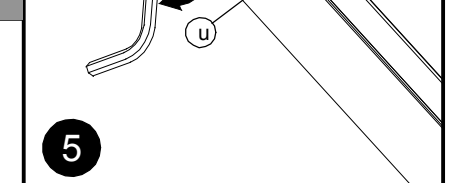
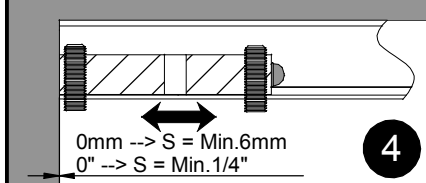
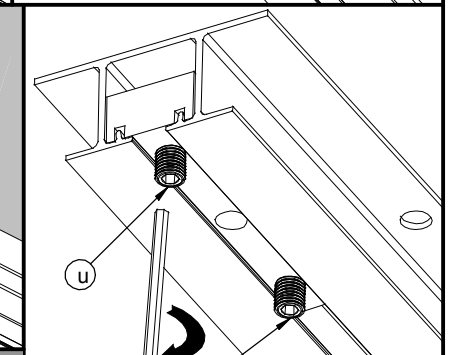
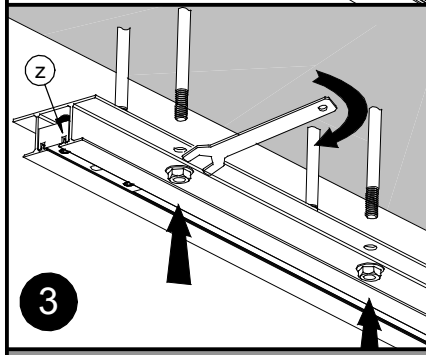
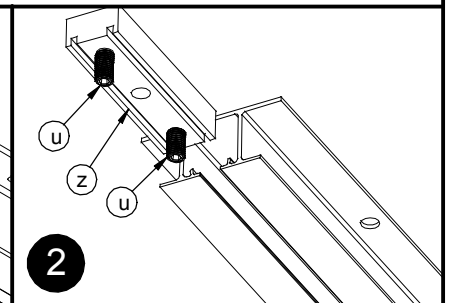
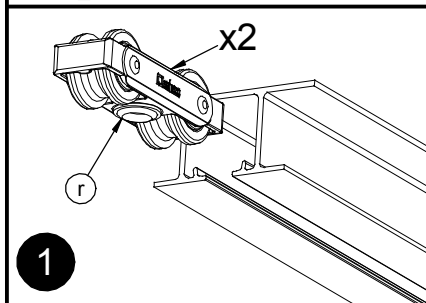
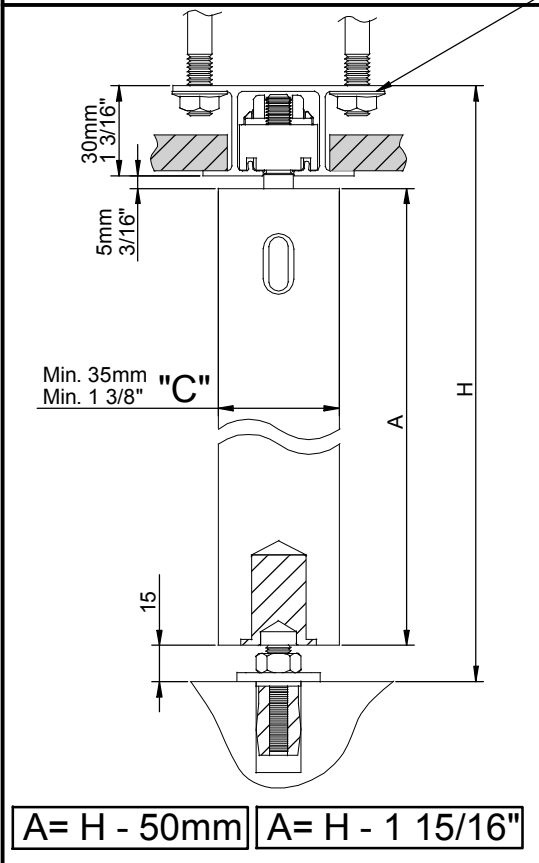
L = Overall width / Ancho de luz total / Lagueur total

P = Leaf width / Ancho de la hoja / Large Feuilles

$$P = \frac{L - (2 \times S) - (3 \times R)}{4}$$

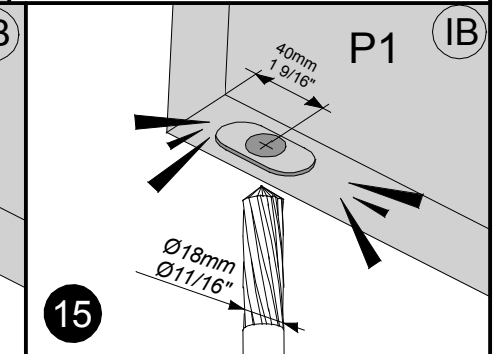
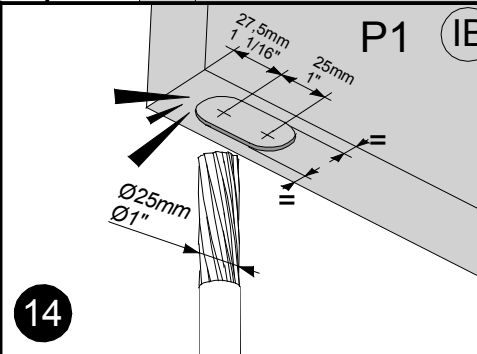
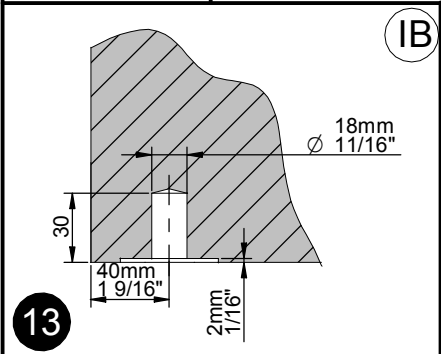
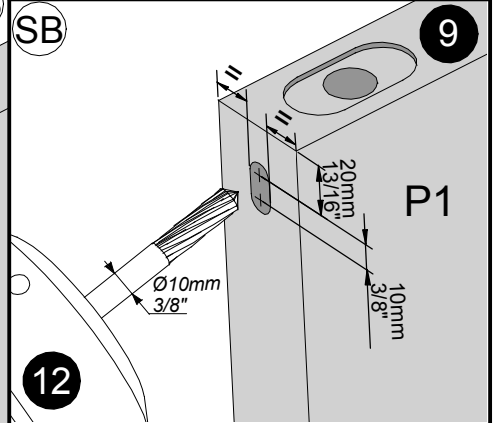
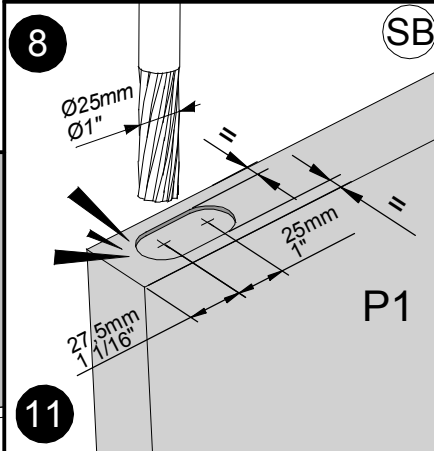
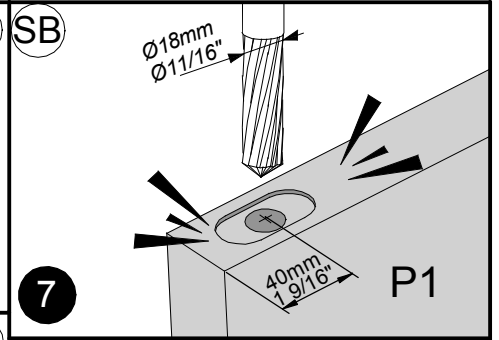
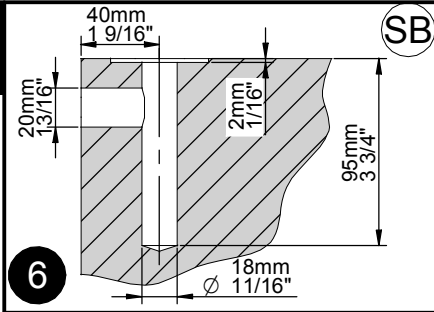
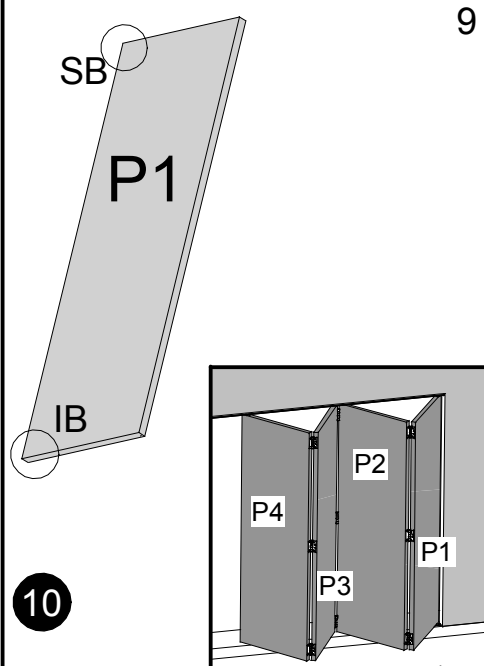
"C"	"S"
35-40mm	6mm
1 3/8-1 9/16"	1/4"
40-45mm	7mm
1 9/16-1 3/4"	1/4"
45-50mm	8mm
1 3/4-1 15/16"	5/16"

SDR-A84D-TC3000

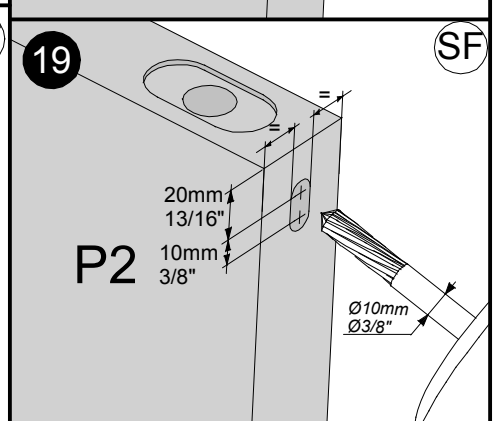
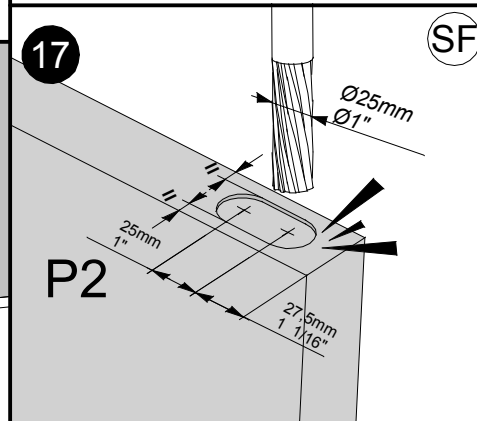
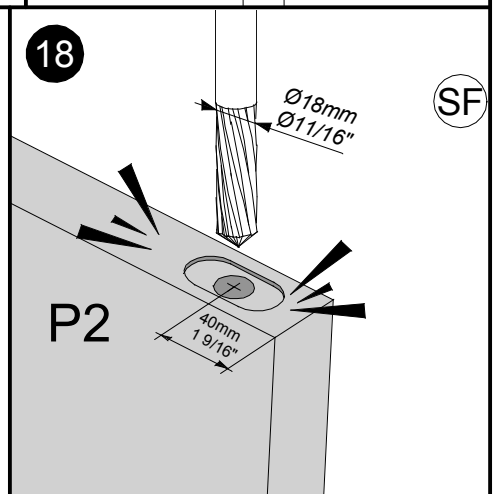
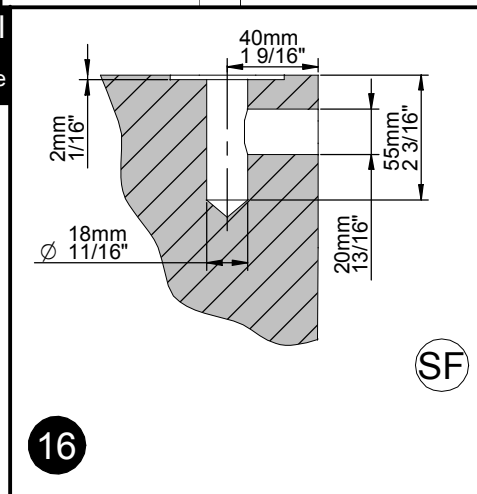
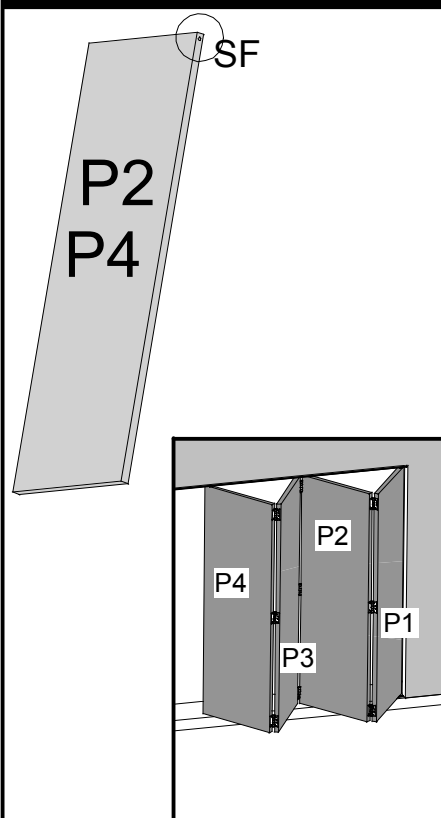


Made in Spain

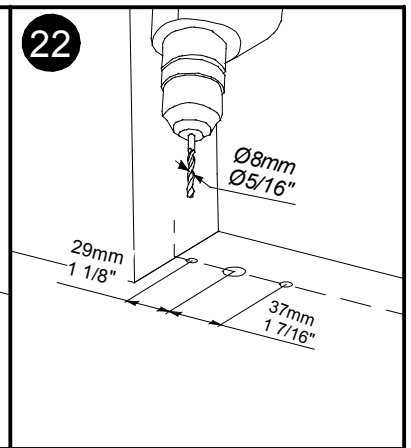
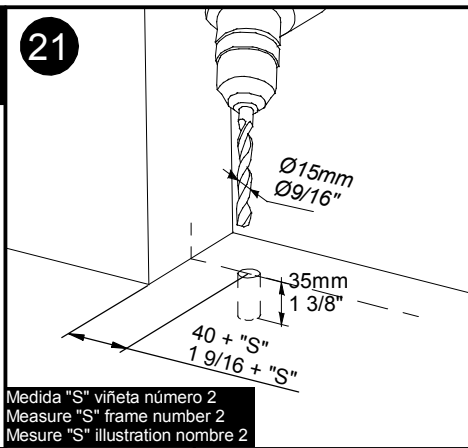
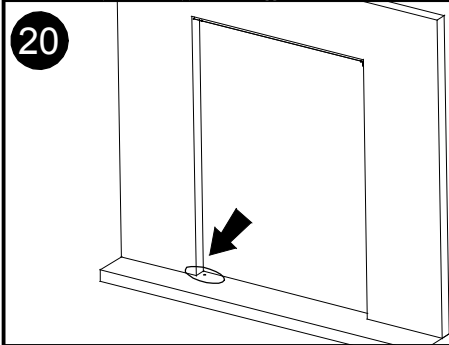
Mecanizados hoja batiente
 Swing Sheet mechanization
 Mécanisés panneau battante



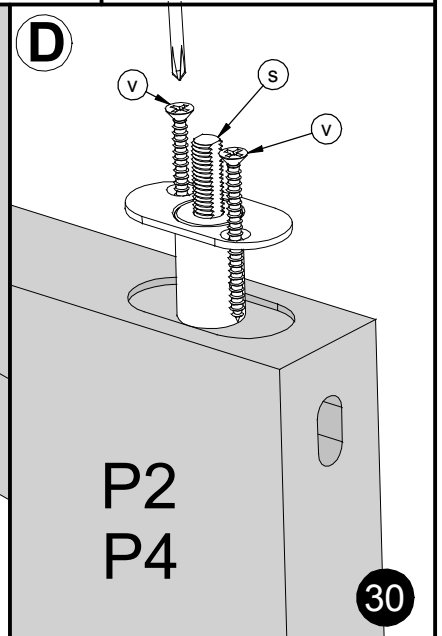
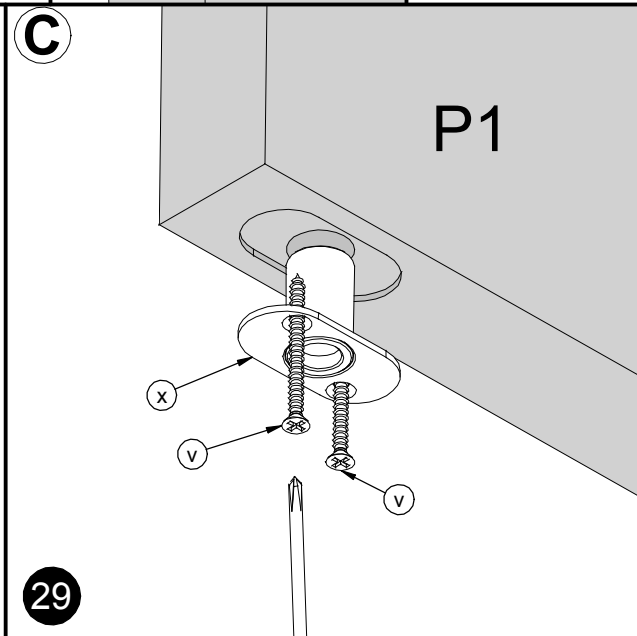
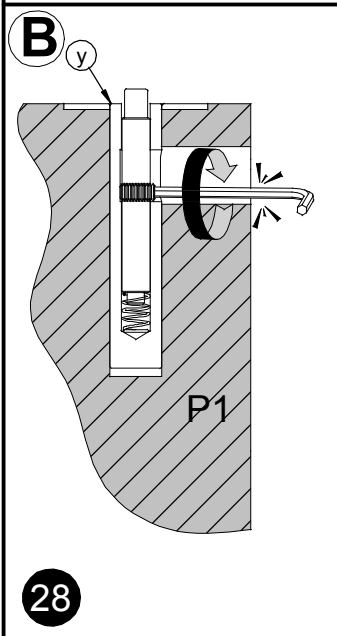
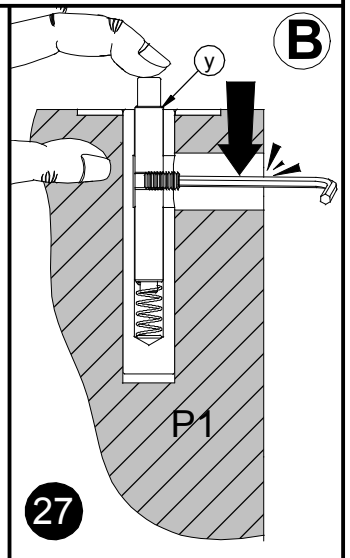
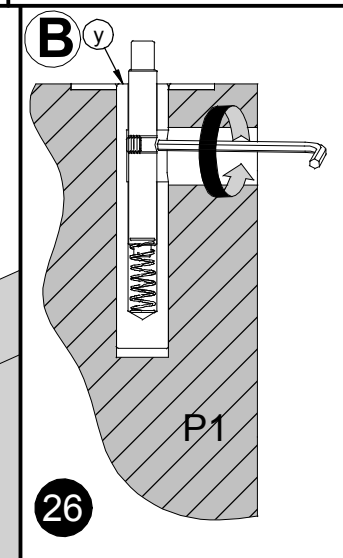
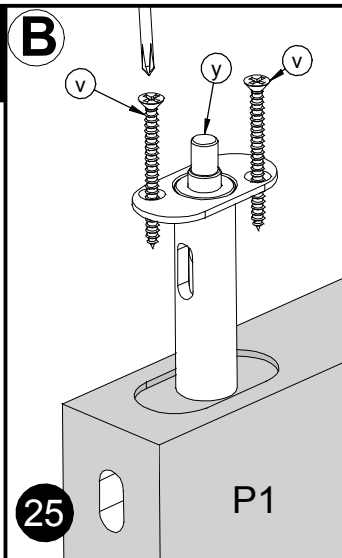
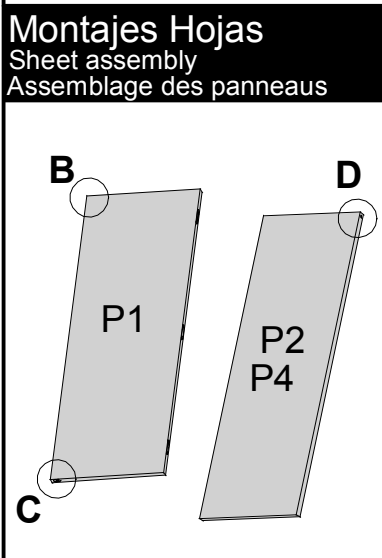
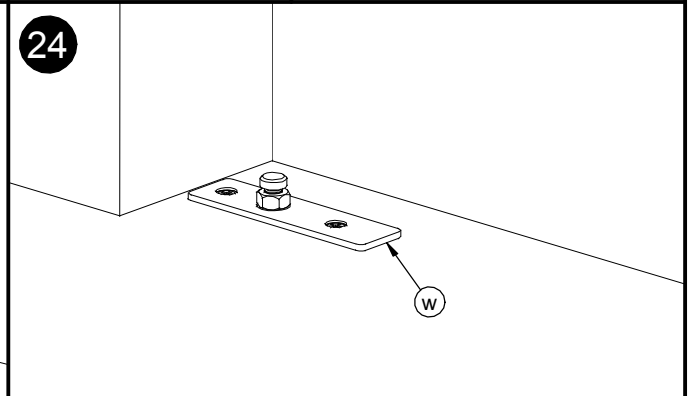
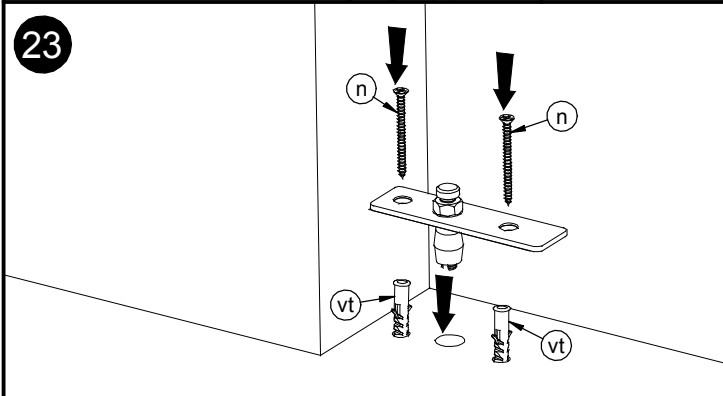
Mecanizado hoja 2 y hoja Final
 Mechanization of 2nd sheet & final sheet
 Mécanisation de panneau 2 et panneau finale

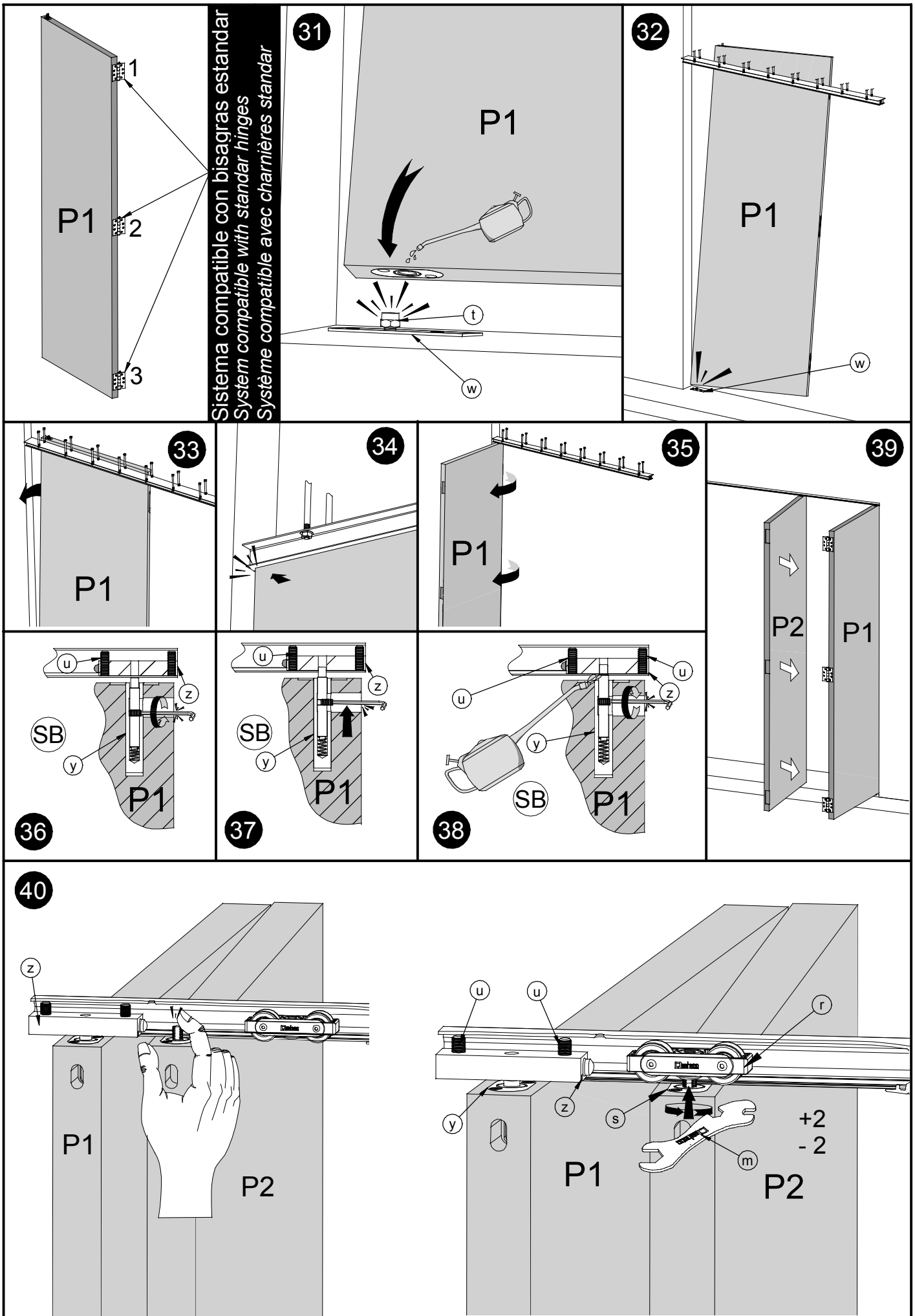


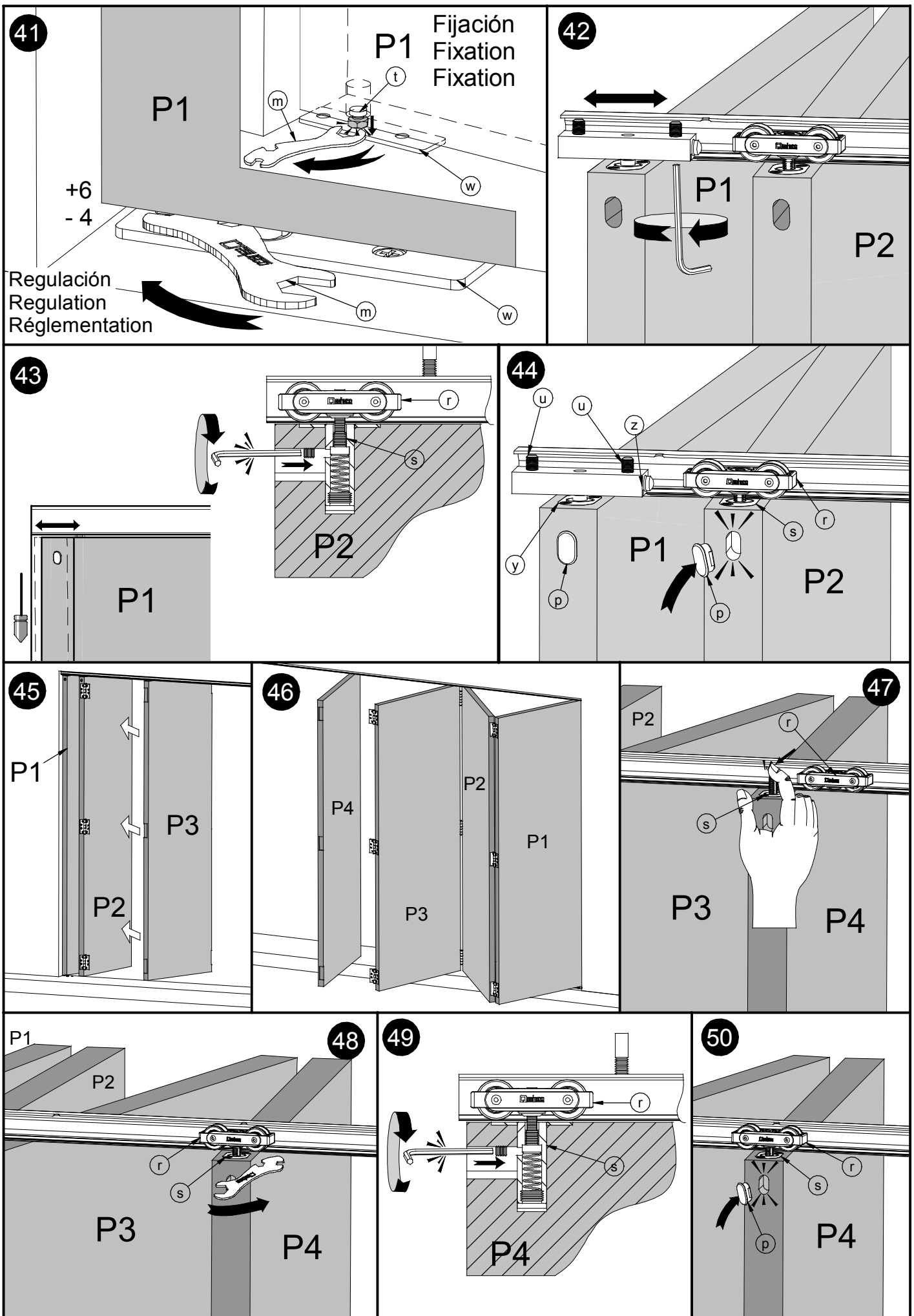
Mecanizado Soporte Inferior
Mechanization of Lower support
Mécanisation du Support inférieur



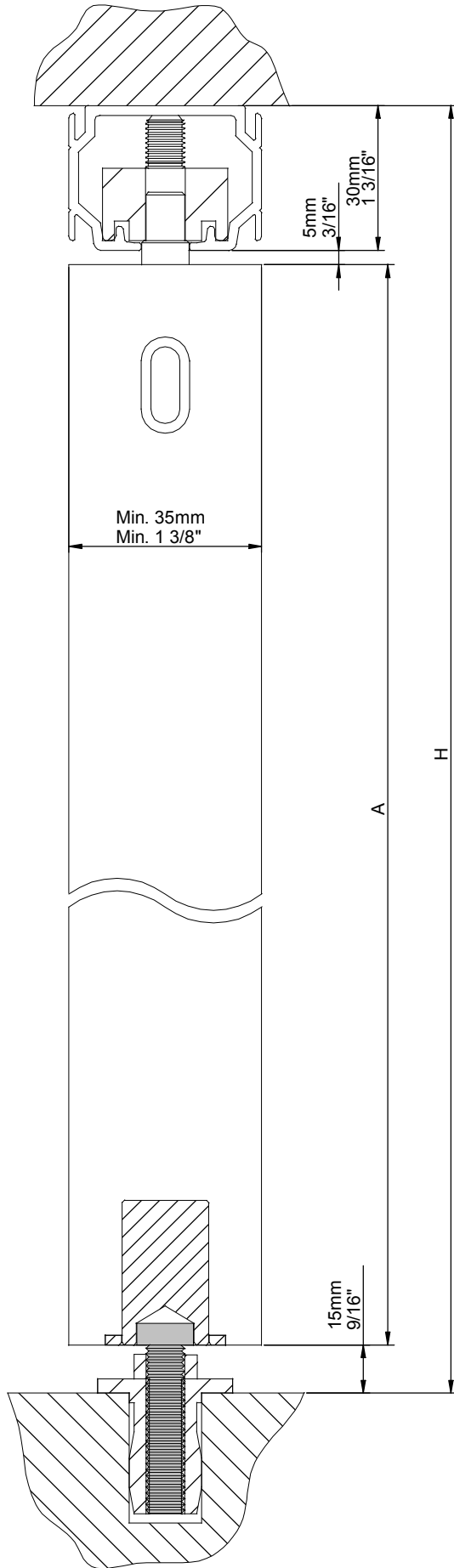
Medida "S" viñeta número 2
 Measure "S" frame number 2
 Mesure "S" illustration nombre 2





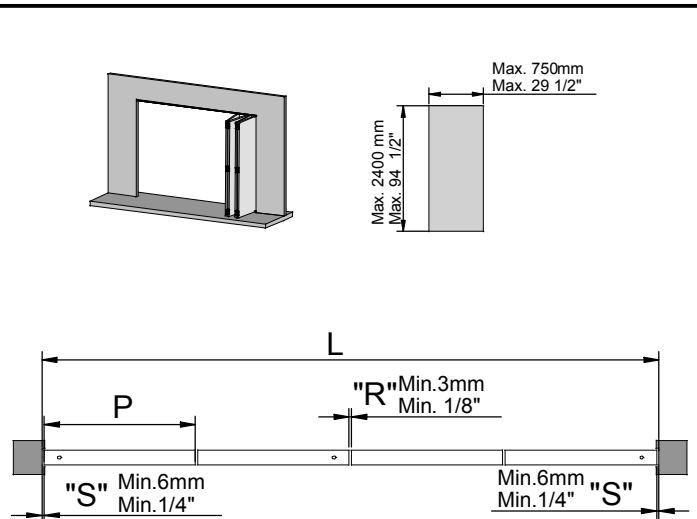


Variantes de instalacion
 Assembly options
 Variantes d'installation



$$A = H - 50\text{mm}$$

$$A = H - 1 \frac{15}{16}''$$



"C"	"S"
35-40mm	6mm
1 3/8-1 9/16"	1/4"
40-45mm	7mm
1 9/16-1 3/4"	1/4"
45-50mm	8mm
1 3/4-1 15/16"	5/16"

$$P = \frac{L - (2xS) - (3xR)}{4}$$

L = Ancho de luz total / Overall width / Lagueur total
 P = Ancho de la hoja / Leaf width / Large Feuilles

VARIANTES DE INSTALACIÓN

INSTALLATION VARIANTS
VARIANTS DE MONTAGE

35-40mm	6mm
1 3/8-1 9/16"	1/4"
40-45mm	7mm
1 9/16-1 3/4"	1/4"
45-50mm	8mm
1 3/4-1 15/16"	5/16"

FORMULARIOS PARA SISTEMAS

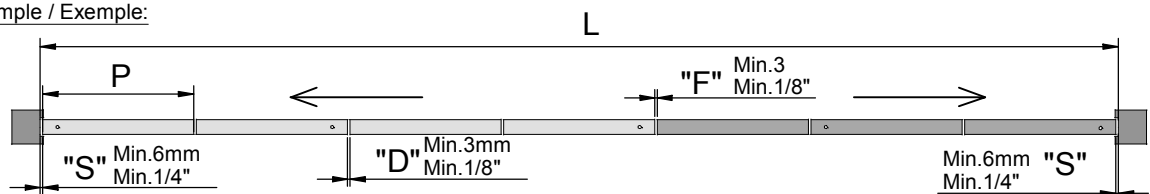
SYSTEMS FORMULARYS
FORMULAIRES POUR SYSTÈMES

		$P = \frac{L - (2xS) - (2xD)}{3}$
		$P = \frac{L - (2xS) - D - F}{3}$
		$P = \frac{L - (2xS) - (2xD) - F}{4}$
		$P = \frac{L - (2xS) - (3xD) - F}{5}$
		$P = \frac{L - (2xS) - (4xD) - F}{6}$
		$P = \frac{L - (2xS) - (3xD)}{4}$
		$P = \frac{L - (2xS) - (3xD) - F}{5}$
		$P = \frac{L - (2xS) - (4xD) - F}{6}$
		$P = \frac{L - (2xS) - (5xD) - F}{7}$
		$P = \frac{L - (2xS) - (6xD) - F}{8}$

L = Ancho de luz total / Overall width / Lagueur total
P = Ancho de la hoja / Leaf width / Large Feuilles
F = Franquicia central / Central Gap / Franchise central

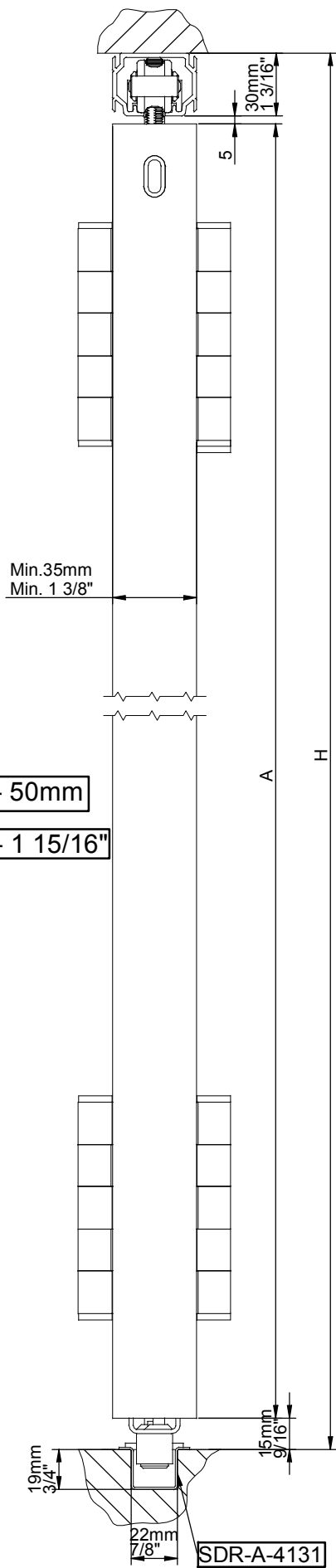
D = Separación bisagras / Hinges Separation / Separation charniere
S = Franquicia inicial / Initial Gap / Franchise initiale

Ejemplo / Example / Exemple:



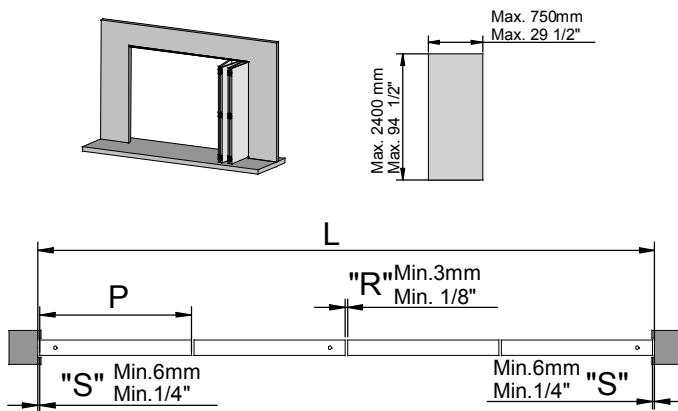
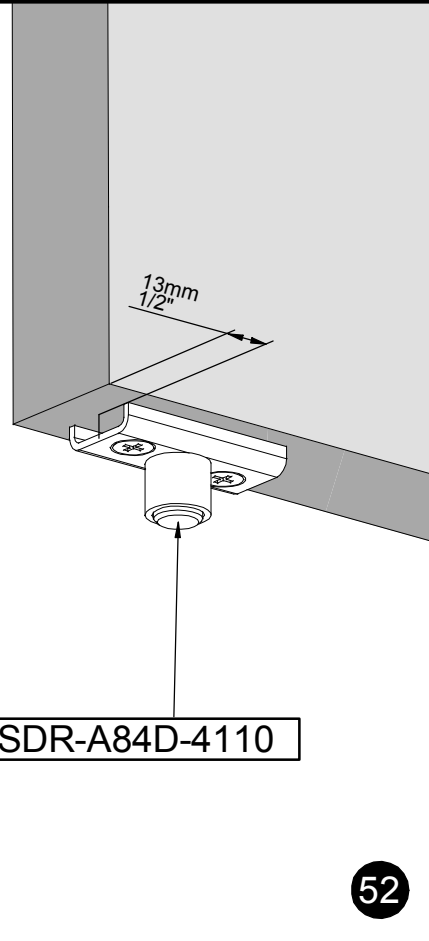
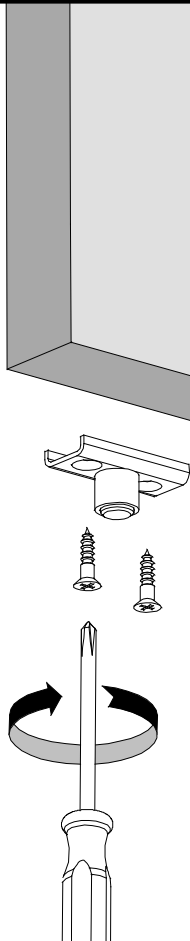
VARIANTES DE INSTALACIÓN
 INSTALLATION VARIANTS
 VARIANTES DE MONTAGE

* Variante con guidor inferior / Variant with lower guide /
 Variant avec guide inferieur



$$A = H - 50\text{mm}$$

$$A = H - 1 \frac{15}{16}''$$



"C"	"S"
35-40mm	6mm
1 3/8-1 9/16"	1/4"
40-45mm	7mm
1 9/16-1 3/4"	1/4"
45-50mm	8mm
1 3/4-1 15/16"	5/16"

$$P = \frac{L - (2 \times S) - (3 \times R)}{4}$$

L = Overall width / Ancho de luz total / Lagueur total
 P = Leaf width / Ancho de la hoja / Large Feuilles
 F = Central Gap / Franquicia central / Franchise central
 D = Hinges Separation / Separación bisagras / Separation charniere
 S = Initial Gap / Franquicia inicial / Franchise initiale